

POWERPRO

TECHNOLOGY™

2-Stroke 900 Rated Watt Generator

Item # 56100
Owner's Manual
Manual del Propietario



FEATURES:

- 1000 Surge Watt Output
- 900 Rated Watt Output (7.5Amps at 120Volts)
- 2 HP Single Cylinder 2-Stroke Engine
- One (1) 120Volt AC Receptacle
- One (1) 12Volt DC Receptacle
- Circuit Reset for AC Receptacle
- Circuit Reset for DC Receptacle
- One (1) Gallon Fuel Tank
- Fuel Mix 32 to 1 (Gasoline to Oil)
- Five (5) Hours Run Time at Half Load
- EPA Certified
- Low Noise Generator
- Spark Arrestor

GENERATOR IDENTIFICATION

For information and questions, please contact the Customer Service Help Line by calling **800-232-1195**. Certain information will be requested by the Customer Service Representative and to facilitate that, please fill in the information below.

Refer to the illustration below for the location of Serial Number. Record generator information in the spaces provided below.

DATE OF PURCHASE: _____

PURCHASED FROM: _____

GENERATOR MODEL NUMBER: _____

ENGINE SERIAL NUMBER: _____

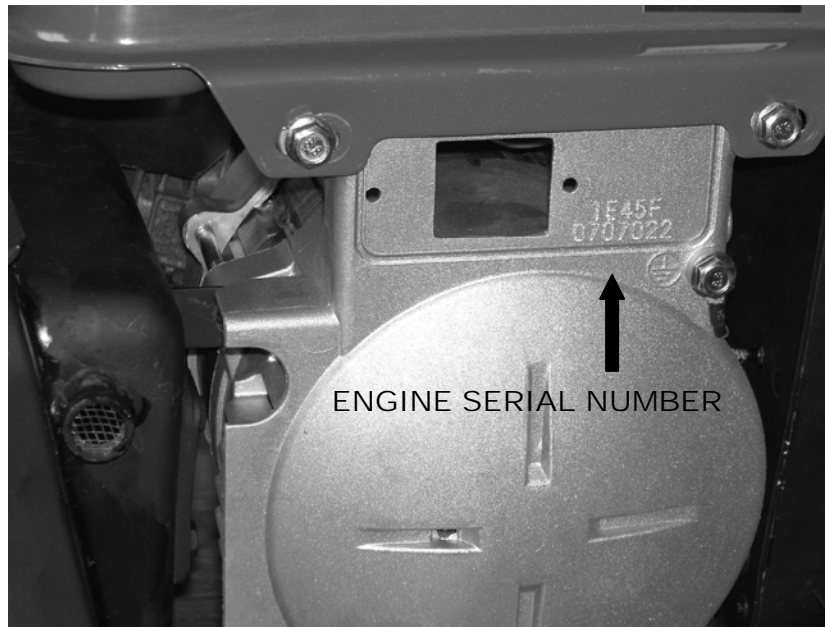


Fig.1 - Engine Serial Number Location

TABLE OF CONTENTS

GENERATOR IDENTIFICATION	i
INTRODUCTION	1
NOTICE REGARDING EMISSIONS	1
SAFETY INFORMATION.....	2
SAFETY SYMBOLS AND MEANINGS	2
GENERAL SAFETY PROCEDURES	3
IMPORTANT SAFETY INSTRUCTIONS	5
GENERATOR COMPONENTS.....	6
ASSEMBLY	7
GENERATOR PREPARATION.....	7
Step 1 – Mixing Fuel for 2-Stroke Engines	7
Step 2 - Filling the Fuel Tank.....	8
Step 3- Ground the Generator.....	9
STARTING THE GENERATOR.....	9
SUBSEQUENT STARTING OF THE GENERATOR.....	11
Step 1– Check the Fuel Level.....	12
Step 2- Ground the Generator.....	12
USING THE GENERATOR	13
AC Usage.....	13
DC Usage.....	15
STOPPING THE GENERATOR.....	16
MAINTENANCE / CARE	16
Cleaning the Generator	16
Air Cleaner Maintenance	17
Spark Plug Maintenance.....	17
Draining the Fuel Tank.....	17
STORAGE / TRANSPORT PROCEDURES	18
SPECIFICATIONS	19
TROUBLESHOOTING	20
EXPLODED VIEW	21
PARTS LIST	22
WIRING DIAGRAM	23
NOTES.....	24
WARRANTY STATEMENT	25

INTRODUCTION

Thank You for Purchasing a Power Pro Product.

This manual provides information regarding the safe operation and maintenance of this product. Every effort has been made to ensure the accuracy of the information in this manual. Power Pro reserves the right to change this product and specifications at any time without prior notice.

Please keep this manual available to all users during the entire life of the generator.

Special Messages

This manual contains special messages to bring attention to potential safety concerns, generator damage as well as helpful operating and servicing information. Please read all the information carefully to avoid injury and machine damage.



Questions? Problems?

In order to answer questions and solve problems in the most efficient and speedy manner, contact Customer Service at:

(800) 232-1195 M-F 8-5 CST

NOTICE REGARDING EMISSIONS

Engines that are certified to comply with U.S. EPA emission regulations for SORE (Small Off Road Equipment), are certified to operate on regular unleaded gasoline or a mix of gasoline and oil, and may include the following emission control systems: (EM) Engine Modifications and (TWC) Three-Way Catalyst (if so equipped).

SAFETY INFORMATION

Before operating this generator read and observe all warnings, cautions, and instructions on this sheet, on the generator, and in the Owner's Manual.

NOTE: The following safety information is not meant to cover all possible conditions and situations that may occur. Read the entire Owner's Manual for safety and operating instructions. Failure to follow instructions and safety information could result in serious injury or death.



This safety alert symbol is used to identify safety information about hazards that can result in personal injury.

A signal word (**DANGER, WARNING, or CAUTION**) is used with the alert symbol to indicate the likelihood and the potential severity of injury. In addition, a hazard symbol may be used to represent the type of hazard.



DANGER indicates a hazard, which, if not avoided, will result in death or serious injury.



WARNING indicates a hazard, which, if not avoided, could result in death or serious injury.



CAUTION indicates a hazard, which, if not avoided, might result in minor or moderate injury.

CAUTION, when used without the alert symbol, indicates a situation that could result in damage to the engine or generator.

SAFETY SYMBOLS AND MEANINGS



GENERAL SAFETY PROCEDURES



For any questions regarding the hazard and safety notices listed in this manual or on the product, please call (800) 232-1195 M-F 8-5 CST before using the generator.



DANGER: CARBON MONOXIDE. Using a generator indoors **CAN KILL YOU IN MINUTES.**

Generator exhaust contains carbon monoxide (CO). This is a poison gas you cannot see or smell. If you can smell the generator exhaust, you are breathing CO. But even if you cannot smell the exhaust, you could be breathing CO.

- **NEVER** use a generator inside homes, garages, crawlspaces, or other partly enclosed areas. Deadly levels of carbon monoxide can build up in these areas. Using a fan or opening windows and doors does **NOT** supply enough fresh air.
- **ONLY** use a generator outside and far away from windows, doors, and vents. These openings can pull in generator exhaust.

Even if you use a generator correctly, CO may leak into the home. **ALWAYS** use a battery-powered or battery-backup CO alarm in the home.

If you start to feel sick, dizzy, or weak after the generator has been running, move to fresh air **RIGHT AWAY**. See a doctor. You may have carbon monoxide poisoning.



WARNING: The exhaust from this product contains chemicals known to the State of California to cause cancer, birth defects, or other reproductive harm.



Risk of explosion



Danger highly flammable



No Flames



No smoking

WARNING: This generator may emit highly flammable and explosive gasoline vapors, which can cause severe burns or even death, if ignited. A nearby open flame can lead to explosion even if not directly in contact with gasoline.

- Do not operate near open flame.
 - Do not smoke near generator.
 - Always operate on a firm, level surface.
 - Always turn generator off before refueling. Allow generator to cool for at least 2 minutes before removing fuel cap. Loosen cap slowly to relieve pressure in tank.
 - Do not overfill fuel tank. Gasoline may expand during operation. Do not fill to the top of the tank. Allow for expansion.
 - Always check for spilled fuel before operating.
 - Empty fuel tank before storing or transporting the generator.
 - Before transporting, turn fuel valve to off and disconnect spark plug wire.
-



Danger high voltage

WARNING: This generator produces powerful voltage, which can result in electrocution.

- **ALWAYS** ground the generator before using it (see the “Ground the Generator” portion of the “Generator Preparation” section).
 - Generator should only be plugged into electrical devices, either directly or with an extension cord. **NEVER** connect to a building electrical system without a qualified electrician. Such connections must comply with local electrical laws and codes. Failure to comply can create a back-feed, which may result in serious injury or death to utility workers.
 - Use a ground fault circuit interrupter (GFCI) in highly conductive areas such as metal decking or steel work. GFCIs are available in-line with some extension cords.
 - Do not use in rainy conditions.
 - Do not touch bare wires or receptacles (outlets).
 - Do not allow children or non-qualified persons to operate.
-



Do Not Touch Hot Surface

WARNING: This generator produces heat when running. Temperatures near exhaust can exceed 150° F (65° C).

- Do not touch hot surfaces. Pay attention to warning labels on the generator identifying hot parts of the machine.
 - Allow generator to cool down after use before touching engine or areas of the generator that become hot during use.
-

CAUTION: Misuse of this generator can damage it or shorten its life.

- Use generator only for its intended purposes.
 - Operate only on dry, level surfaces.
 - Allow generator to run for several minutes before connecting electrical devices.
 - Shut off and disconnect any malfunctioning devices from generator.
 - Do not exceed the wattage capacity of the generator by plugging in more electrical devices than the unit can handle.
 - Do not turn on electrical devices until *after* they are connected to the generator.
 - Turn off all connected electrical devices before stopping the generator.
 - Push the engine ON/OFF switch to the OFF position
-

IMPORTANT SAFETY INSTRUCTIONS

- **SAVE THESE INSTRUCTIONS** – This manual contains important instructions for the Power Pro 1000 generator.
- Generators vibrate in normal use. During and after the use of the generator, inspect the generator as well as extension and power supply cords connected to it for damage resulting from vibration. Have damaged items repaired or replaced as necessary. Do not use plugs or cords that show signs of damage such as broken or cracked insulation or damaged blades.
- For power outages, permanently installed stationary generators are better suited for providing backup power to the home. Even a properly connected portable generator can become overloaded. This may result in overheating or stressing the generator components, possibly leading to a generator failure.
- **WARNING:** When this generator is used to supply a building wiring system: Generator must be installed by a qualified electrician and connected to a transfer switch as a separately derived system in accordance with the National Electrical Code, NFPA 70. The generator shall be connected to a transfer switch that switches all conductors other than the equipment grounding conductor. The frame of the generator shall be connected to an approved grounding electrode.

In addition to the previous safety notices, please become familiar with the safety and hazard markings on the generator. Any questions as to the meaning of the warnings, please call Customer Service at 800-232-1195.

PACKAGE CONTENTS

Your generator comes with the items listed below. Please check to see that all of the following items are included with your generator.



If there are any damaged or missing items, please call (800) 232-1195 M-F 8-5 CST for customer service.

Contents:

Model 1000 Two-Stroke Generator
Carrying Handle w/2 attaching bolts
DC Cord with Plug and Alligator Clips
Screwdriver
Spark Plug Wrench
Tool Pouch

GENERATOR COMPONENTS

Please familiarize yourself with the locations and functions of the various components and controls of your generator.



Fig.2 - Component Location

(1) Fuel Cap- Access to the fuel tank for adding fuel.

(2) Volt Meter-Shows the voltage number.

(3) AC Circuit Reset Button-Reset button that protects the generator from AC outlet overload.

(4) DC Circuit Reset Button- Reset button that protects the generator from DC outlet overload.

(5) 120 Volt AC Receptacle- To connect electrical devices that run on 120Volt, 60 Hz, single phase, AC current.

(6) DC Terminal- For charging 12 V batteries.

(7) Air Cleaner- a removable, cleanable, sponge-like element that limits the amount of dirt pulled into the engine.

(8) Choke Lever- Adjusts the amount of air let into the engine.

(9) Recoil Starter- Pull-cord for starting engine.

(10) Fuel Valve- Allows fuel to enter engine.

(11) Engine Switch- Used to start/stop engine.

(12) Carrying Handle – for easy transport.

(13) Spark Plug- Provides proper engine ignition.

(14) Muffler- Reduces engine noise.

(15) Ground Terminal- Connect grounding wires here to properly ground unit.

ASSEMBLY

In order to best protect the generator while in the package, this product comes with some components disassembled. Please complete the following assembly steps before proceeding to use the generator. For ease of assembly, we recommend attaching the components in the order listed in this manual.

If after reading this section, you are unsure about how to perform any of the steps, please call (800) 232-1195 M-F 8-5 CST for customer service.

Attaching the Carrying handle

- Remove the 2 bolts from the tool pouch. Bolts have lock washers attached.
- Assemble the screwdriver included in tool pouch.
- Place the 2 bolts into the carrying handle.
- Position the handle over the threaded holes in the fuel tank.
- Tighten bolts using the screwdriver until bolts are snug.

GENERATOR PREPARATION

Using the Generator for the First Time



The following section describes steps necessary to prepare the generator for use. If after reading this section, you are unsure about how to perform any of the steps please call (800) 232-1195 M-F 8-5 CST for customer service. Failure to perform these steps properly can damage the generator or shorten its life.

Step 1 – Mixing Fuel for 2-Stroke Engines

Oil and Fuel Specifications

a. Oil

To operate the engine, use a high quality 2 Cycle oil mixed with unleaded gasoline at a ratio of 32 to 1. See table below for mixing amounts.

Note: *Use NMMA or TC-WII or TC-W3 or JASO FB or FASO FC classified oil in the mixture.*

b. Gasoline

Use unleaded regular, unleaded premium, or gasoline containing 10% ethanol. Fuel must be fresh and clean. Never use gasoline stored for long periods.

Mixing Gasoline and Oil

WARNING Never store generator with fuel in the fuel tank inside a building with potential sources of ignition such as hot water tanks, space heaters, clothes dryers, electric motors, etc.

Notes: *DO NOT mix gasoline and oil directly in the fuel tank*

USE NMMA or TC-WII or TC-W3 or JASO FB or JASO FC classified oil.

- Make sure fuel container is outside and in a well ventilated area.
- Fill the approved, clean red gasoline container with ¼ of the recommended gasoline amount.
- Add the required amount of oil to the gasoline.
- Tighten the cap on the fuel container.
- Shake vigorously to mix the gasoline and oil.
- Undo the fuel cap and add the remainder of the recommended fuel. Wipe away any spilled fuel or oil.

Mixing Ratios: 32:1

- To 1 gallon gasoline, add 4 oz oil
- To 2 gallon gasoline, add 8 oz oil
- To 5 gallon gasoline, add 20 oz oil

Step 2 - Filling the Fuel Tank



Danger highly flammable



Risk of explosion



No Flames



No smoking

WARNING: This generator may emit highly flammable and explosive gasoline vapors, which can cause severe burns or even death if ignited. A nearby open flame can lead to explosion even if not directly in contact with gasoline.

- Do not operate near open flame.
 - Do not smoke near generator.
 - Always operate on a firm, level surface.
 - Always turn generator off before refueling. Allow generator to cool for at least 2 minutes before removing fuel cap. Loosen cap slowly to relieve pressure in tank.
 - Do not overfill fuel tank. Gasoline may expand during operation. Do not fill to the top of the tank. Allow for expansion.
 - Always check for spilled fuel before operating. Clean up any spilled fuel before starting.
 - Empty fuel tank before storing or transporting the generator.
 - Before transporting, turn fuel valve to off position and disconnect spark plug wire.
1. Be sure generator is outdoors and in a well ventilated area.
 2. Clean the area around the fuel fill cap and remove the fuel fill cap.
 3. Using the approved red gasoline container with the gasoline and oil mixture, slowly add the fuel to the tank. DO NOT overfill the fuel tank. Leave space for expansion.
 4. Replace the fuel fill cap and wipe up any spills.

Step 3- Ground the Generator



Danger high voltage

WARNING: Failure to properly ground the generator can result in electrocution.

Ground the generator by first loosening the grounding nut, hooking a grounding wire under the nut and then tightening the grounding nut (see figure 3). A generally acceptable grounding wire is a No. 12 AWG (American Wire Gauge) stranded copper wire. This grounding wire should be connected at the other end to a copper or brass grounding rod that is driven into the earth. Wire and grounding rod are not included in generator contents.

Grounding codes can vary by location. Please contact a local electrician to check the grounding regulations for your area.



Fig.3 - Ground Location

NOTE: After completing the 3-step Generator Preparation, the generator is ready to be started.

STARTING THE GENERATOR



Before starting the generator, make sure you have read and performed the steps in the “Generator Preparation” section of this manual. If you are unsure about how to perform any of the steps in this manual please call (800) 232-1195 M-F 8-5 CST for customer service.



Toxic Fumes

DANGER: CARBON MONOXIDE. Using a generator indoors CAN KILL YOU IN MINUTES.

Generator exhaust contains carbon monoxide (CO). This is a poison gas you cannot see or smell. If you can smell the generator exhaust, you are breathing CO. But even if you cannot smell the exhaust, you could be breathing CO.

- **NEVER** use a generator inside homes, garages, crawlspaces, or other partly enclosed areas. Deadly levels of carbon monoxide can build up in these areas. Using a fan or opening windows and doors does NOT supply enough fresh air.

- **ONLY** use a generator outside and far away from windows, doors, and vents. These openings can pull in generator exhaust.

Even if you use a generator correctly, CO may leak into the home. **ALWAYS** use a battery-powered or battery-backup CO alarm in the home.

If you start to feel sick, dizzy, or weak after the generator has been running, move to fresh air **RIGHT AWAY**. See a doctor. You may have carbon monoxide poisoning.



Danger high voltage

WARNING: This generator produces powerful voltage, which can result in electrocution.

- **ALWAYS** ground the generator before using it (see the “Ground the Generator” portion of the “Generator Preparation” section).
- Generator should only be plugged into electrical devices, either directly or with an extension cord. **NEVER** connect to a building electrical system without a qualified electrician. Such connections must comply with local electrical laws and codes. Failure to comply can create a back-feed, which may result in serious injury or death to utility workers.
- Use a ground fault circuit interrupter (GFCI) in highly conductive areas such as metal decking or steel work. GFCIs are available in-line with some extension cords.
- Do not use in rainy or wet conditions.
- Do not touch bare wires or receptacles (outlets).
- Do not allow children or non-qualified persons to operate.



CAUTION: Disconnect all electrical loads from the generator before attempting to start.

To start your generator, perform the following steps:

1. No electrical devices should be connected to the generator during starting. Devices can make it difficult for the engine to start.
2. Check that the generator is properly grounded (see “Ground the Generator”).
3. Check the fuel level.
4. Turn the fuel valve to the “on” position (see figure 4).
5. Move the choke lever to the “closed” position. (Move to far left position. See figure 5).
6. Set the engine switch to the “on” position. (Until the upper part of the rocker switch is firmly depressed).
7. Pull on the recoil starter handle slowly until a slight resistance is felt. It is advisable to place the hand not used in pulling the recoil starter on the generator to hold it in place. Then pull quickly to start the engine. Return cord gently into the machine. Never allow the cord to snap back.
8. If engine fails to start, repeat step 7. NOTE: After repeated failed attempts to start the engine, please consult the troubleshooting guide before attempting again. If problems persist please call **(800) 232-1195 M-F 8-5 CST**.
9. Once the engine has started, **slowly** return the choke lever all the way to the “open” position.
10. Allow the generator to run for several minutes before attempting to connect any electrical devices. This allows the generator to stabilize its speed and temperature.

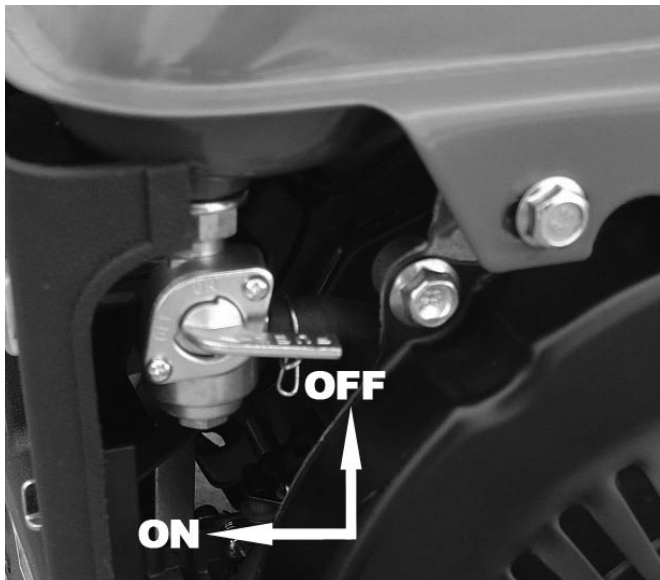


Fig.4 - Fuel Valve

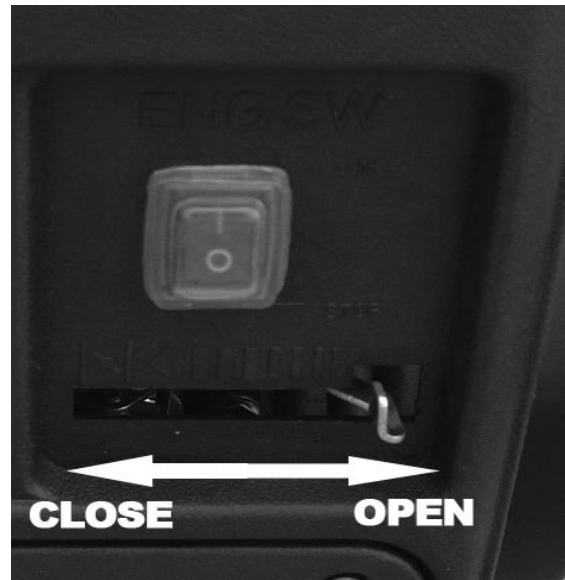


Fig.5 - Choke

SUBSEQUENT STARTING OF THE GENERATOR

If this is not the first time using the generator, user should take the following steps to prepare it for operation.

IMPORTANT: At this point the user should be familiar with the procedures described in the section titled “Using the Generator for the First Time.” If the user has not yet read this section, go back and read it now.

Step 1- Check the Fuel Level

Before starting the generator, check to see that there is sufficient gasoline/oil mixture in the fuel tank.. Add fuel if necessary but leave sufficient room in tank for expansion.



Danger highly flammable



Risk of explosion



No Flames



No smoking

WARNING: This generator may emit highly flammable and explosive gasoline vapors, which can cause severe burns or even death if ignited. A nearby open flame can lead to explosion even if not directly in contact with fuel.

- Do not operate near open flame.
- Do not smoke near generator.
- Always operate on a firm, level surface.
- Always turn generator off before refueling. Allow generator to cool for at least 2 minutes before removing fuel cap. Loosen cap slowly to relieve pressure in tank.
- Do not overfill fuel tank. Fuel may expand during operation. Do not fill to the top of the tank. Allow for expansion.
- Always check for spilled fuel before operating. Clean up any spilled fuel before starting.
- Empty fuel tank before storing or transporting the generator.
- Before transporting, turn fuel valve to off and disconnect spark plug wire.

Step 2- Ground the Generator



Danger high voltage

WARNING: Failure to properly ground the generator can result in electrocution.

Ground the generator by first loosening the grounding nut and looping the grounding wire around the stud and then retightening the grounding nut. (Figure 3) A generally acceptable grounding wire is a No. 12 AWG (American Wire Gauge) stranded copper wire. This grounding wire should be connected at the other end to a copper, brass, or steel-grounding rod that is driven into the earth. Wire and grounding rod are not included in generator contents.

Grounding codes can vary by location. Contact a local electrician for area codes.

USING THE GENERATOR



Danger high voltage

WARNING: When this generator is used to supply a building wiring system:

Generator must be installed by a qualified electrician and connected to a transfer switch as a separately derived system in accordance with the National Electrical Code, NFPA 70. The generator shall be connected to a transfer switch that switches all conductors other than the equipment grounding conductor. The frame of the generator shall be connected to an approved grounding electrode.

For power outages, permanently installed stationary generators are better suited for providing backup power to the home. Even a properly connected portable generator can become overloaded. This may result in overheating or stressing the generator components, possibly leading to a generator failure.

Before connecting electrical devices, allow the generator to run for a few minutes to stabilize the speed and voltage output.

CAUTION: Become familiar with the markings on the panel before connecting electrical devices.

AC Usage

Note: Statement about electronic equipment

Connect electrical devices running on AC current according to their wattage requirements. The chart in figure 6 shows the rated and surge wattage of your generator according to its model number.

The *rated wattage* corresponds to the maximum wattage the generator can output on a continuous basis.

The *surge wattage* corresponds to the maximum amount of power the generator can output for a short period of time. Many electrical devices such as refrigerators require short bursts of extra power, in addition to the rated wattage listed by the device, to stop and start their motors. The surge wattage ability of the generator covers this extra power requirement.

Model Number	Rated(Running) Wattage	Surge Wattage
1000	900	1000

Fig. 6 - Generator wattage by model number

The total running wattage requirement of the electrical devices connected to the generator should not exceed the rated wattage of the generator itself. To calculate the total wattage requirement of the electrical devices you wish to connect, find the rated (or running) wattage of each device. This number should be listed somewhere on the device or in its instruction manual. If you cannot find this wattage, you may calculate it by multiplying the Voltage requirement by the Amperage drawn:

$$\text{Watts} = \text{Volts} \times \text{Amperes}$$

If these specifications are not available, you may estimate the Watts required by your device using the chart in figure 7.

When the rated wattage requirement of each electrical device has been determined, add these numbers to find the total rated wattage needed. If this number exceeds the rated wattage of the generator, DO NOT connect all these devices. Select a combination of electrical devices, which has a total rated wattage lower than or equal to the rated wattage of the generator.

CAUTION: The generator can run at its surge wattage capacity for only a short time. Connect electrical devices requiring a rated (running) wattage equal to or less than the rated wattage of the generator. Never connect devices requiring a rated wattage equal to the surge wattage of the generator. This can trip the circuit protectors (circuit breakers).

tool or appliance	rated (running) Watts	additional surge Watts
electric water heater (40 gal)	4000	0
hot plate	2500	0
saw- radial arm	2000	2000
electric stove (each element)	1500-2800	0
saw- circular	1500	1500
air compressor (1 HP)	1500	3000
window air conditioner	1200	1800
saw- miter	1200	1200
Microwave	1000	0
well water pump	1000	1000
reciprocating saw	960	1040
sump pump	800	1200
refrigerator freezer	800	1200
furnace blower	800	1300
Computer	800	0
electric drill	600	900
Television	500	0
deep freezer	500	500
garage door opener	480	0
Stereo	400	0
box fan	300	600
clock radio	300	0
security system	180	0
DVD player/ VCR	100	0
common light bulb	75	0

Fig.7 - Estimated wattage requirements of common electrical devices

NOTE: The above wattage figures are estimates. Try to check the wattage listed on your electrical device before consulting this chart.

Once you have determined what electrical devices you will be powering with the generator, connect these devices according to the following procedure:

1. Plug in each electrical device with the device turned off. **NOTE:** Be sure to attach appliances to the correct receptacles (outlets).
2. Push in the circuit reset buttons to the “on” position (NOTE: They may be already pushed in which is the “on” position).
3. Start each appliance/device one at a time. Do not overload the capacity of the generator.

CAUTION: Do not connect 50Hz or 3-phase loads to the generator.

CIRCUIT RESET BUTTONS

The circuit reset buttons help to prevent the generator from electrical overload. If your receptacle short circuits or becomes overloaded by an electrical device or devices with too great a wattage rating, the circuit protector may shut off power to the receptacle. In the event of such an overload, disconnect all electrical devices from the generator and press the circuit reset buttons. Note, the circuit breakers used are thermally activated. The breakers have to cool before they can be reset. If power still does not return to the receptacle after the circuit breakers are reset, call our customer service line.

SOME NOTES ABOUT POWER CORDS

Long or thin cords can drain the power provided to an electrical device by the generator. When using such cords, allow for a slightly higher rated wattage requirement by the electrical device. See Figure 8 for recommended cords based on the power requirement of the electrical device.

Device Requirements			Max. Cord Length (ft) by Wire Gauge				
Amps	Watts (120V)	Watts (240 V)	#8 wire	#10 wire	#12 wire	#14 wire	#16 wire
2.5	300	600	NR	1000	600	375	250
5	600	1200	NR	500	300	200	125
7.5	900	1800	NR	350	200	125	100
10	1200	2400	NR	250	150	100	50
15	1800	3600	NR	150	100	65	NR
20	2400	4800	175	125	75	50	NR
25	3000	6000	150	100	60	NR	NR
30	3600	7200	125	65	NR	NR	NR
40	4800	9600	90	NR	NR	NR	NR

*NR= not recommended

Fig. 8 - Maximum Extension Cord Lengths by Power Requirement

DC Usage

CAUTION: The DC receptacle is for charging 12 Volt batteries ONLY. Do not connect any other device to this receptacle.

To connect 12 Volt batteries to the DC receptacle using the DC cord provided with the generator.

1. Plug in the DC power cord into the DC receptacle. Connect the alligator clip attached to the red wire, to the positive (+) terminal of the battery. Make sure the connection is secure.
2. Start the generator after ensuring the alligator clip attached to the black wire is not touching any metal. Do not hold the alligator clip in bare hands.
3. After the engine has started and warmed up a bit, attach the black wire alligator clip to the negative (-) terminal of the battery.

The generator will charge batteries up to 40 Ah capacity. In cases where the current exceeds the generator capacity, the DC circuit breaker will trip and needs to be reset after it cools.

STOPPING THE GENERATOR

To stop the generator:

1. Turn off all electrical devices prior to unplugging them from the generator. Unplugging running devices can cause damage to the generator.
2. Turn the start switch to the “off” position. (Move Rocker Switch to Lower position).
3. Turn the fuel valve to the “off” (horizontal) position.



WARNING: Allow the generator to cool for several minutes before touching areas that become hot during use.

CAUTION: Allowing fuel to sit in the generator tank for long periods of time without use can make it difficult to start the generator in the future. Never store generator for extended periods of time with fuel in the tank.

MAINTENANCE / CARE

Proper routine maintenance of your generator will help prolong the life of your machine. Please perform maintenance checks and operations according the schedule in figure 9.



If you have questions about any of the maintenance procedures listed in this manual, please call (800) 232-1195 M-F 8-5CT.

CAUTION: Never perform maintenance operations while the generator is running.

Recommended Maintenance Schedule

		each use	first month then every 20 hrs	every 3 months or 50 hrs	every 6 months or 100 hrs	every year or 300 hrs
Air cleaner	check	X				
	clean			x		
Spark plug	check/ clean				x	
Fuel tank	check fuel level	X				
	clean					x

Fig. 9 - Recommended maintenance schedule

Cleaning the Generator

Never clean the generator when it is running! Never clean with a bucket of water or a hose. Water can get inside the working parts of the generator and cause a short circuit or corrosion. Always try to use the generator in a cool, dry place. If the generator becomes dirty, clean the exterior with a damp cloth, a soft brush, vacuum or pressurized air.

Air Cleaner Maintenance

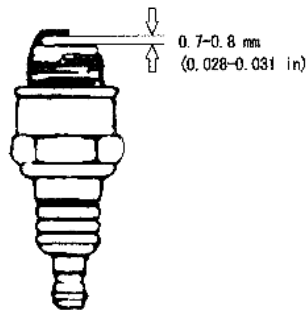
Routine maintenance of the air cleaner helps maintain proper air flow to the carburetor. Check that the air cleaner is free of excessive dirt.

1. Undo the 4 bolts holding the air cleaner cover in place.
2. Remove the sponge-like elements from the casing.
3. Wipe the dirt from inside the empty air cleaner casing
4. Wash the sponge-like elements in household detergent and warm water. Allow to dry.
5. Drip the sponge-like element in clean engine oil, squeeze out extra oil and reinsert into the casing.
6. Attach the air cleaner cover with the 4 bolts.

Spark Plug Maintenance

The spark plug is important for proper engine operation. A good spark plug should be intact, free of deposits, and properly gapped. To inspect the spark plug:

1. Pull on the spark plug cap to remove it.
2. Unscrew the spark plug from the generator using the spark plug wrench included with this product.
3. Visually inspect the spark plug. If it is cracked or chipped, discard and replace with a new spark plug.
4. Measure the plug gap with a gauge (see figure 10). The gap should be 0.7-0.8mm (0.028-0.031in).
5. If you are re-using the spark plug, use a wire brush to clean any dirt from around the spark plug base and then re-gap the spark plug.
6. Screw the spark plug back into its place on the generator using the spark plug wrench. **Do not** over-tighten spark plug. Recommended tightening of spark plug is $\frac{1}{2}$ to $\frac{3}{4}$ of a turn after spark plug gasket contacts spark plug hole. Reinstall the spark plug cap.



<p>Recommended Spark Plug NGK BP5ES or Similar</p>
--

Fig. 10 - Measuring the spark plug gap

Draining the Fuel Tank

Clean fuel tank each year or before storing the generator for extended periods of time. To drain the fuel tank and carburetor:

1. Turn the fuel valve to the “off” position.
2. Remove the four (4) bolts holding the fuel tank onto the generator frame.
3. Lift the fuel tank and rotate it so as to clear the tank from the generator frame. The fuel valve should be visible. Place a container under the fuel valve to catch fuel when the fuel line is disconnected.

4. Using a pair of pliers, slide the fuel line clamp off the fuel valve so the line can be disconnected.
5. Collect any fuel left in the fuel line going to the carburetor.
6. Place the fuel tank over the fuel collecting container and open the fuel valve. The fuel should drain from the tank.
7. Reconnect the fuel line and reattach the fuel tank with the four (4) bolts.
- 8 Start and run the engine until fuel runs out.
9. Store the emptied fuel in a suitable place.

⚠ CAUTION: Do not store fuel for more than 3 months.

STORAGE / TRANSPORT PROCEDURES



CAUTION: Never place any type of storage cover on the generator while it is still hot.

If the generator is being stored for short periods of time (30 – 60 days), add stabilized fuel to the fuel tank until full. NOTE: Filling the tank reduces the amount of air in the tank and helps reduce deterioration of fuel. Run the engine for 2 – 3 minutes allowing stabilized fuel mixture to circulate through the carburetor.

When transporting or storing the generator for extended periods of time:

- Drain the fuel tank (see “Draining the Fuel Tank” in the “Maintenance” section).
- Disconnect the spark plug wire from the spark plug.
- Do not obstruct any ventilation openings.
- Keep the generator in a cool dry area.

SPECIFICATIONS

Generator

DC Output

Wattage	100W
Voltage	12V
Amperage	8.3A

AC Output

Rated Wattage	900W
Surge Wattage	1000 W
Rated Voltage	120 V
Rated Amperage	7.5A
Rated Frequency	60 Hz
Phase	Single
Dimensions(in):	Length: 15 width: 12 height: 14.5
Dry mass	39 lbs

Engine

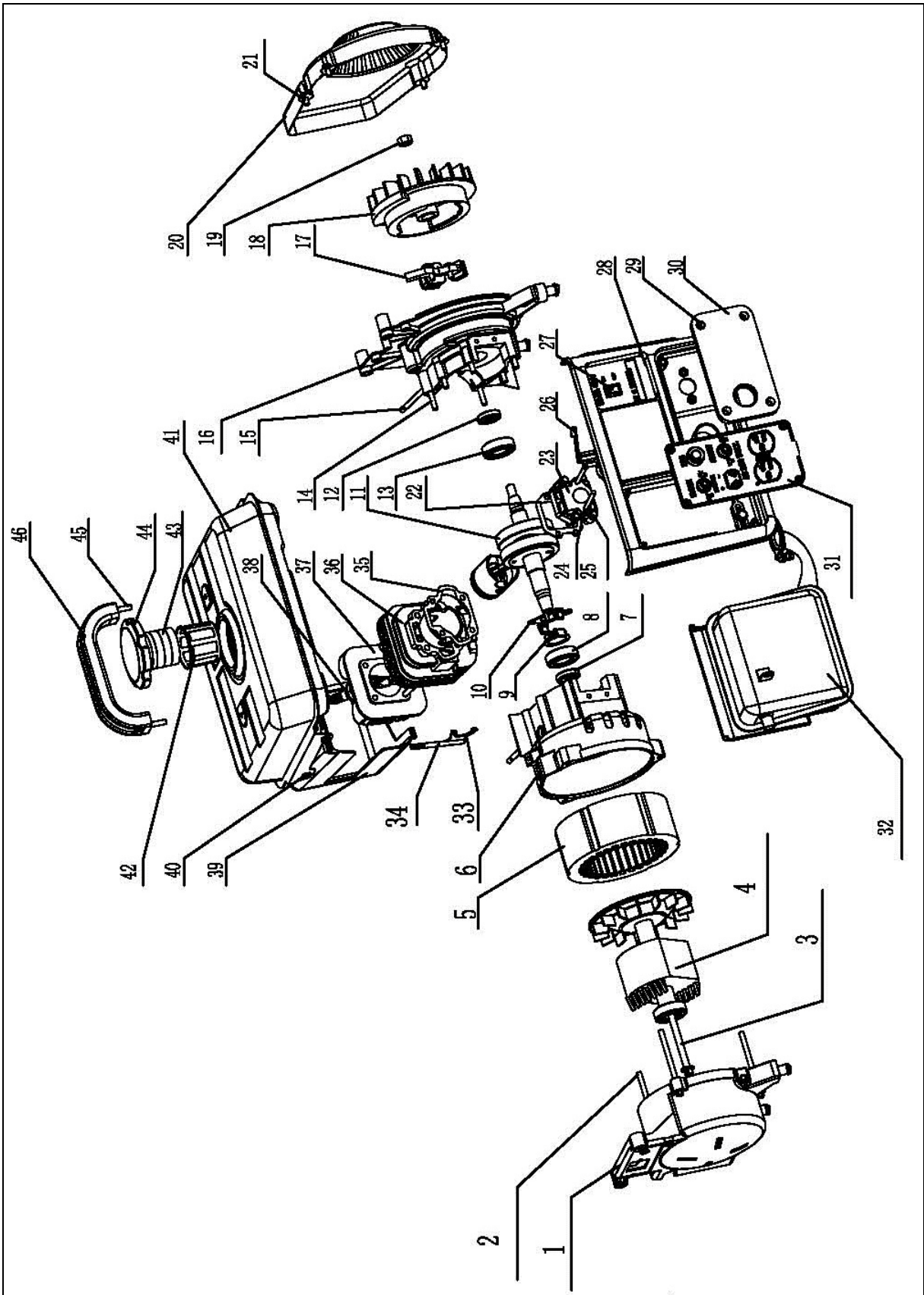
Engine type	2-stroke single cylinder with forced air cooling system
Ignition system	non-contact transistor
Displacement	72 cc
Fuel tank capacity:	1.0 US gal.
Run time on 50% load	5 hrs
Noise rating at 22 feet:	60 dB

TROUBLESHOOTING

IMPORTANT: If trouble persists please call our customer help line at **(800) 232-1195** M-F 8-5 Central Time.

Problem	Cause	Solution
Engine will not start	Engine switch is set to "off".	Set engine switch to "on".
	Fuel valve is turned to "OFF" position.	Turn fuel valve to "ON" position.
	Choke is open.	Close the choke
	Engine is out of fuel	Add fuel.
	Engine is filled with contaminated or old fuel	Change the fuel in the fuel tank.
	Spark plug is dirty.	Clean spark plug.
	Air cleaner is dirty.	Clean or replace air cleaner.
Engine runs but there is no electrical output	Circuit reset button is off.	Wait for 2 minutes and push the circuit reset button to the "on" position.
	Bad connecting wires/cables.	If you are using an extension cord, try a different one.
	Bad electrical device connected to generator.	Try connecting a different device.
Generator runs but does not support all electrical devices connected.	Generator is overloaded	Perform these steps: 1. Turn off all electrical devices. 2. Unplug all electrical devices. 3. Turn off generator. 4. Wait several minutes. 5. Restart generator. 6. Try connecting fewer electrical loads to the generator.
	Short in one of the connected devices.	Try disconnecting any faulty or short-circuited electrical loads.

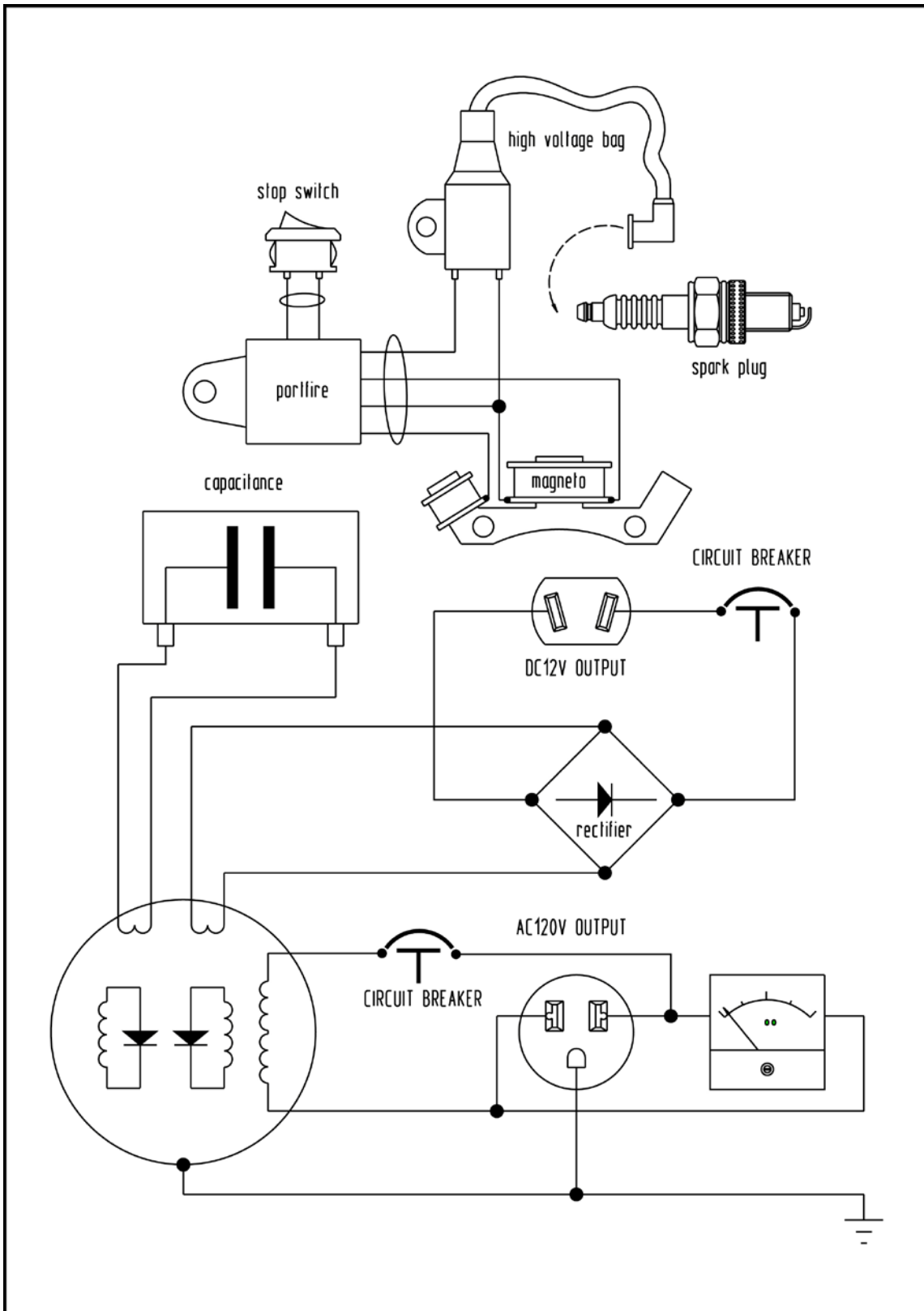
EXPLODED VIEW



Item	Stock #	Qty	Description
1	56100-001	1	Generator Cover
2	56100-002	3	Bolt M6x85
3	56100-003	1	Bolt M8x160
4	56100-004	1	Rotor
5	56100-005	1	Stator
6	56100-006	1	Left Crankcase
7	56100-007	1	Oil Seal
8	56100-008	1	Bearing
9	56100-009	1	Governor Glider
10	56100-010	1	Flying Hammer Assembly
11	56100-011	1	Crankshaft
12	56100-012	1	Oil Seal
13	56100-013	1	Bearing
14	56100-014	6	Bolt M6x55
15	56100-015	2	Stud M6x98
16	56100-016	1	Right Crankcase
17	56100-017	1	Ignition Coil
18	56100-018	1	Flying Wheel
19	56100-019	1	Nut
20	56100-020	1	Recoil Starter Assembly
21	56100-021	4	Bolt M6x10
22	56100-022	1	Left Valve Gasket
23	56100-023	1	Leaf Valve Assembly

Item	Stock #	Qty	Description
24	56100-024	2	Stud M6x60
25	56100-025	4	Bolt M6x20
26	56100-026	1	Carburetor
27	56100-027	1	Ignition Switch
28	56100-028	1	Panel
29	56100-029	4	Bolt M5x16
30	56100-030	1	Air Filter Cover
31	56100-031	1	Controler Plate Assembly
32	56100-032	1	Muffler Assembly
33	56100-033	1	Governor Shifting Fork
34	56100-034	1	Governor Shifting Shaft
35	56100-035	1	Cylinder Gasket
36	56100-036	1	Cylinder
37	56100-037	1	Cylinder Head
38	56100-038	1	Spark Plug
39	56100-039	1	Cylinder Shroud
40	56100-040	4	Bolt M6x10
41	56100-041	1	Fuel Tank
42	56100-042	1	Fuel Filter
43	56100-043	1	Oil Measure Cup
44	56100-044	1	Fuel tank Cap
45	56100-045	2	Bolt M6x33
46	56100-046	1	Carrying Handle

WIRING DIAGRAM



WARRANTY STATEMENT FOR POWER PRO GENERATORS

Remember to save your receipt and to accurately fill out and mail your product registration card. You must provide proof of purchase for all warranty work.

POWER PRO generators are warranted to be free from defects in materials and workmanship for a period of one (1) year from date of original purchase. Generators used for Commercial or Rental use have a warranty period of 90 days from date of original purchase. Keep purchase receipt and mail in the product registration card for proof of purchase.

POWER PRO will repair or replace, at its discretion, any part that is proven to be defective in materials or workmanship under normal use during the one (1) year warranty period. Warranty repairs or replacements will be made without charge for parts or labor. Parts replaced during warranty repairs will be considered as part of the original product and will have the same warranty period as the original product.

To exercise the warranty, **DO NOT RETURN TO RETAILER**. Instead, call the toll free Customer Service number: **(800) 232-1195** and you will be instructed on where to take the generator for warranty service. Take the generator and proof of purchase (your receipt) to the repair facility recommended by the Customer Service Representative.

All transportation costs under warranty, including return to the factory if necessary, are to be borne by the purchaser and prepaid by the purchaser. The term "purchaser" means the person for whom the generator is originally purchased. This warranty is non-transferable.

The warranty does not extend to generators damaged or affected by fuel contamination, accidents, neglect, misuse, unauthorized alterations, use in an application for which the product was not designed and any other modifications or abuse.

POWER PRO is not liable for any indirect, incidental or consequential damages from the sale or use of this product. Any implied warranties are limited to one (1) year as stated in this written limited warranty. Some states do not allow the exclusion or limitation of incidental or consequential damages. Some states do not allow limitation on the length of an implied warranty. This warranty gives you specific legal rights, and you may have other rights that vary from state to state.

POWER PRO, 501 Davis Rd., Elgin, IL 60123.