

### Features

- 36-inch minimum base cabinet width.
- Acid-resistant enamel finish.
- Under-mount.
- Three oversized faucet holes with one oversized accessory hole to the right and one oversized accessory hole to the left.
- 33" (838 mm) x 22" (559 mm)

### Material

- KOHLER® enameled cast iron.

### Recommended Accessories

K-9000 P-Trap (Qty 2)

### Optional Accessories

K-5807 36" Under-mount Sink Kit (Qty 2)

K-6246 Cutting Board (Qty 2)

K-6255 Right-Bowl Sink Rack

K-8801 Sink Strainer

### Components

Product includes:

K-6239 Colander with Cutting Board

K-6237 Left-Bowl Sink Rack

K-6194 Utility Rack With Soaking Cup

1054375 Under-mount Sink Kit, 23"



### Codes/Standards

ASME A112.19.1/CSA B45.2

### KOHLER® Enameled Cast Iron Kitchen Sink Lifetime Limited Warranty

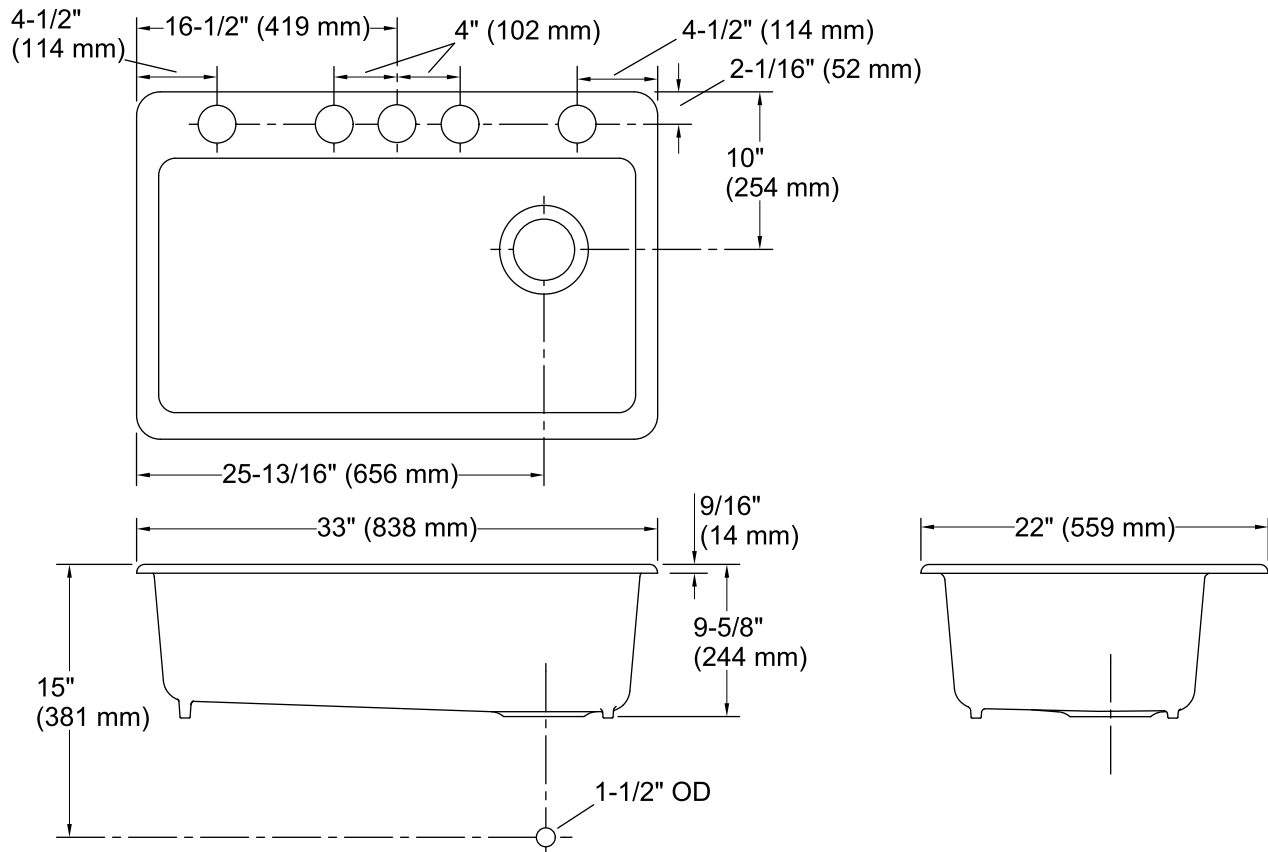
See website for detailed warranty information.

### Available Color/Finishes

*Color tiles intended for reference only.*

| Color | Code | Description |
|-------|------|-------------|
|-------|------|-------------|

|  |   |       |
|--|---|-------|
|  | 0 | White |
|--|---|-------|



## Technical Information

All product dimensions are nominal.

|                       |  |
|-----------------------|--|
| Bowl configuration:   | Single   |
| Installation:         | Under-mount  |
| Bowl area (Only):     | Length: 30-1/4" (768 mm)<br>Width: 15-13/16" (402 mm)<br>Bowl depth: 9" (229 mm) |
| Number of deck holes: | 5  |
| Faucet hole(s):       | 2-3/8" (60 mm)   |
| Drain hole:           | 3-7/8" (98 mm)   |
| Template:             | 1166727-7, required, included  |

## Notes

Install this product according to the installation instructions.

**NOTICE:** Countertop manufacturer or cutter must use the cut-out template provided with the product, or a current one provided by Kohler Co. (call 1-800-4-KOHLER). Kohler Co. is not responsible for cutout errors when the incorrect cut-out template is used.