

W Walker
E Edison
furniture company

Item #: DT41
Assembly Instructions

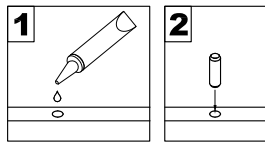


For our most current instructions, to request missing, lost or broken parts, or for any other Customer Service issues, please visit our website at www.walkerredison.com or call us at 877-207-5906.

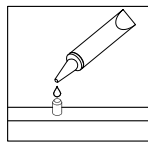
Revised 102010

General Assembly Guidelines

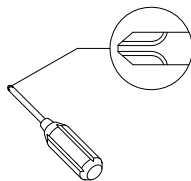
- I. Ensure that all parts and hardware are available before beginning assembly.
- II. Follow each step carefully to ensure the proper assembly of this product.
- III. Two people are recommended for ease in the assembly of this product.
- IV. The four main types of hardware used to assemble this product are: wood dowels, cam bolts and locks, bolts and screws.
- V. The provided glue is to secure wood dowels in place. When first inserting dowels, locate the appropriate hole for the dowel, place a small amount of glue in the hole and insert the dowel. Wipe away excess glue immediately.



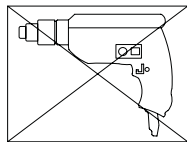
In future assembly steps when dowels are necessary to attach assembly parts together, place a small amount of glue on the end of the dowel before attaching parts together. Wipe away excess glue immediately.



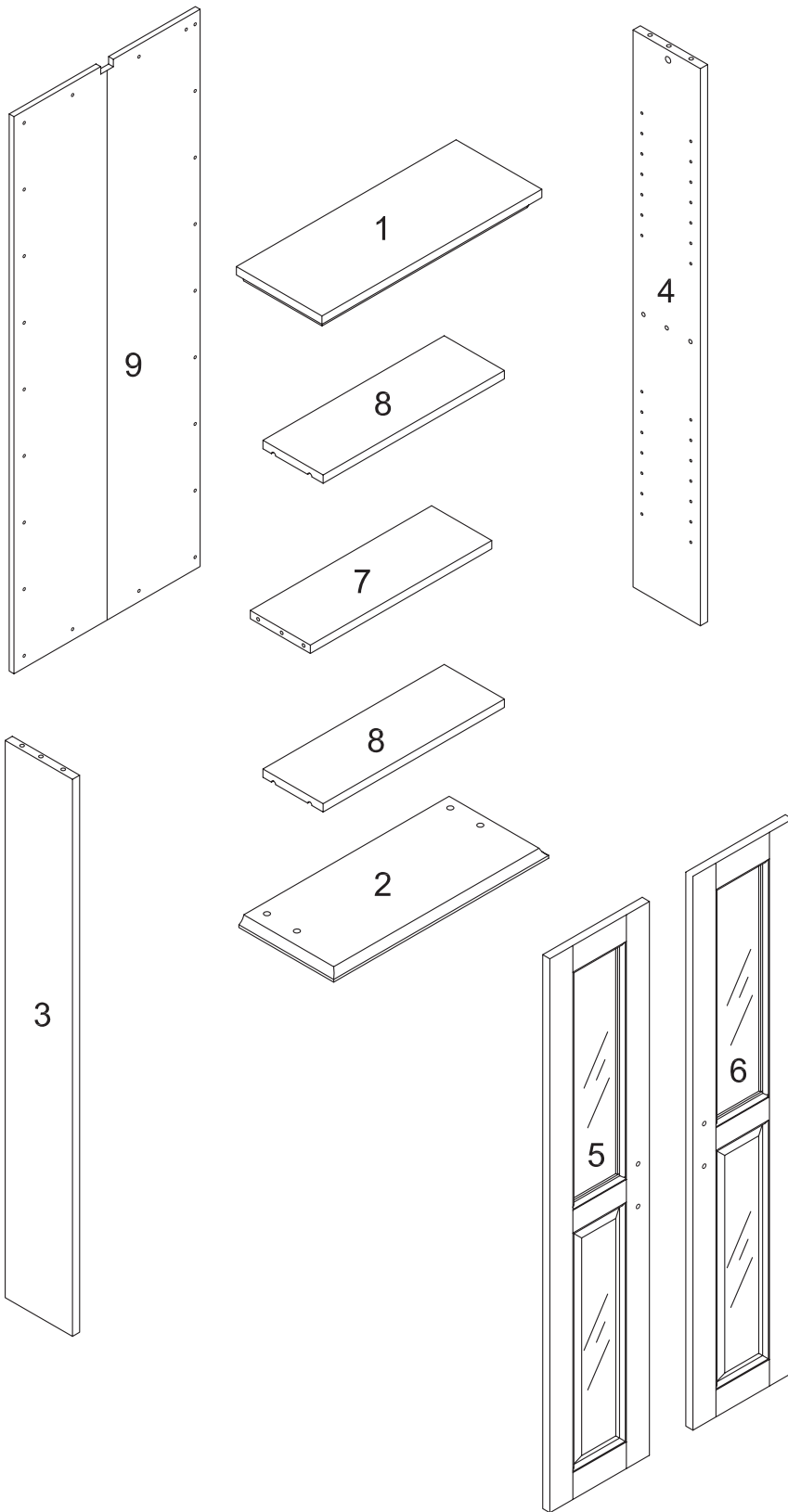
- VI. A Phillips head screwdriver is required for the assembly of this product.






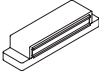

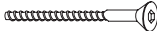




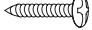
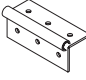
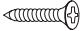




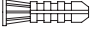


- VII. Power tools should not be used to assemble this product.



Parts List



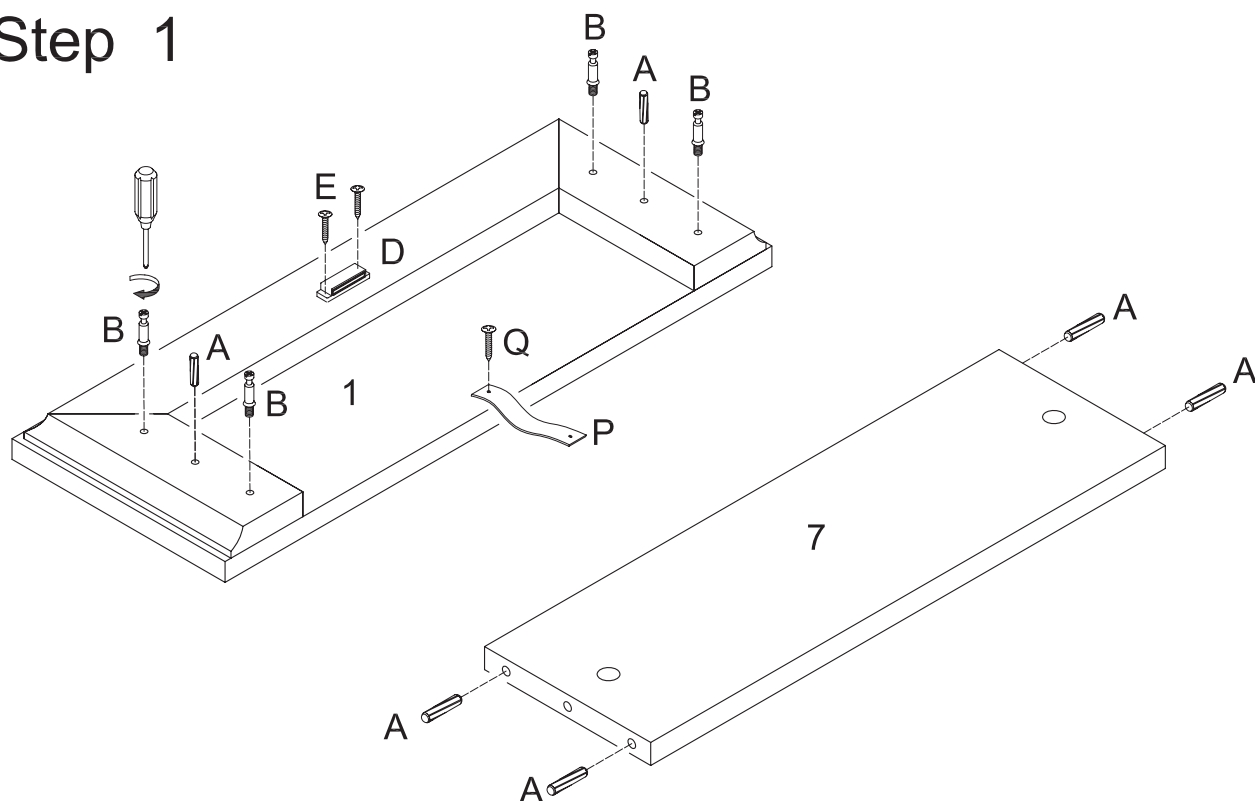
Hardware List

A		Ø8x30mm	Wood dowel	6 pcs
B		Ø6x35mm	Cam bolt	6 pcs
C		Ø15x12mm	Cam lock	6 pcs
D			Door stopper	1 pc
E		Ø3x12mm	Small screw	2 pcs
F		Ø6x50mm	Large bolt	4 pcs
G		Ø4mm	Wrench	1 pc
H*			Nail	22 pcs
I		Ø5x15mm	Shelf support pin	8 pcs
J			Handle	2 pcs
K		Ø4x22mm	Medium screw	4 pcs
L		Ø83x23x2	Door hinge	4 pcs
M		Ø4x15	Flat-head screw	24 pcs
N		Ø4x15	Small bolt	2 pcs
P			Nylon strap	1 pc
Q			Small screw	1 pc
R			Large screw	1 pc
S			Plug	1 pc
T			Glue tube	1 pc
U		Ø25	Sticker	6 pc

* A hammer is required to install nails (H).

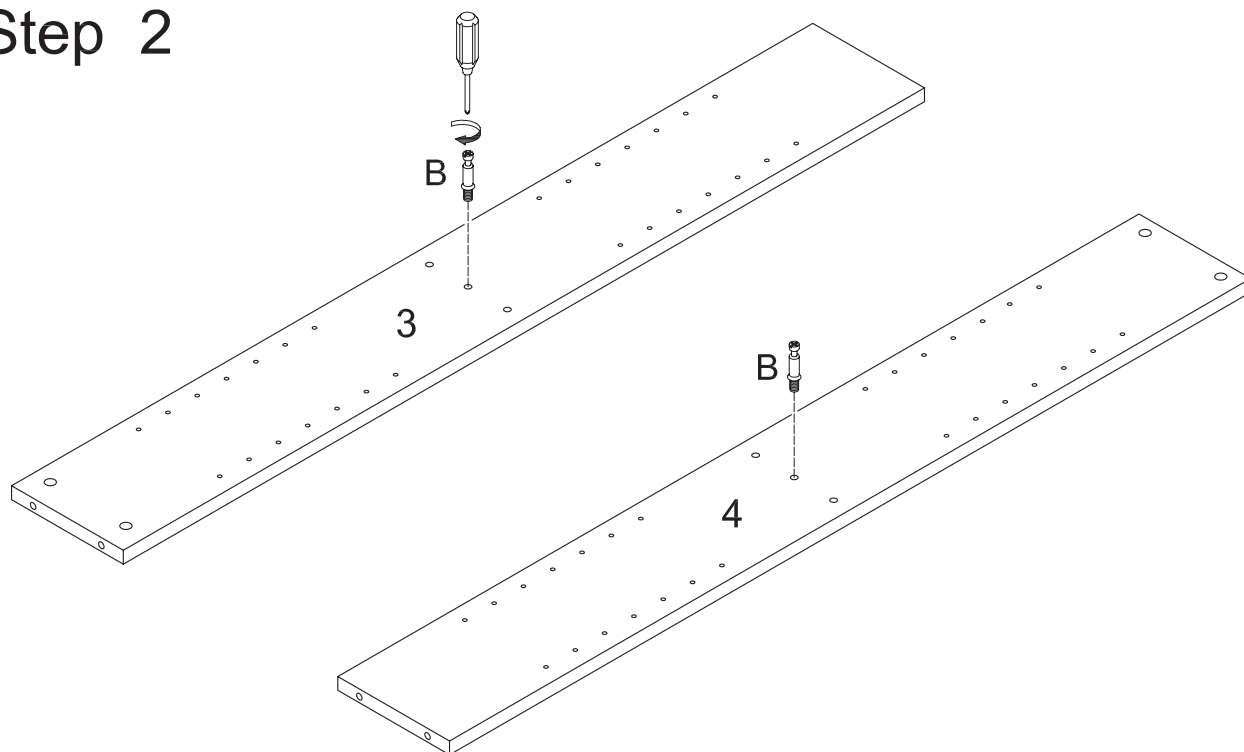
The hardware quantities listed above are required for proper assembly.
Some extra hardware may also have been included.

Step 1



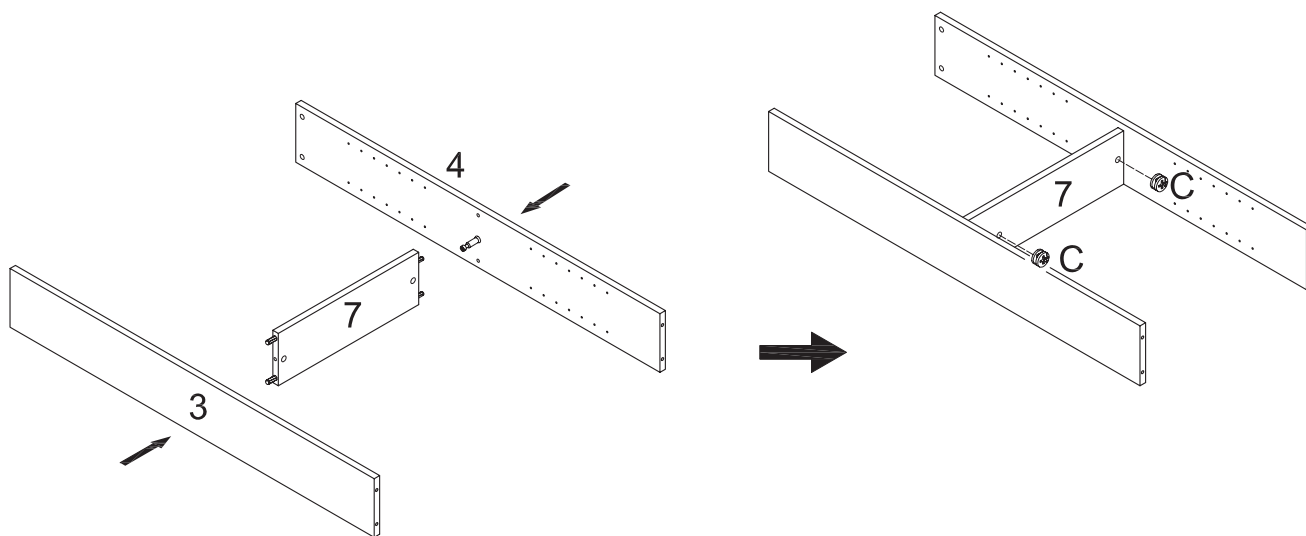
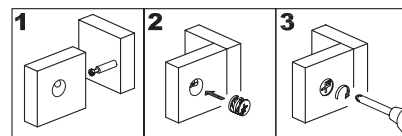
Screw cam bolts (B) into top panel (1). Insert dowels (A) into top panel (1) and shelf (7). Attach door stopper (D) to top panel (1) using small screws (E). Attach nylon strap (P) to top panel (1) using small screw (Q).

Step 2



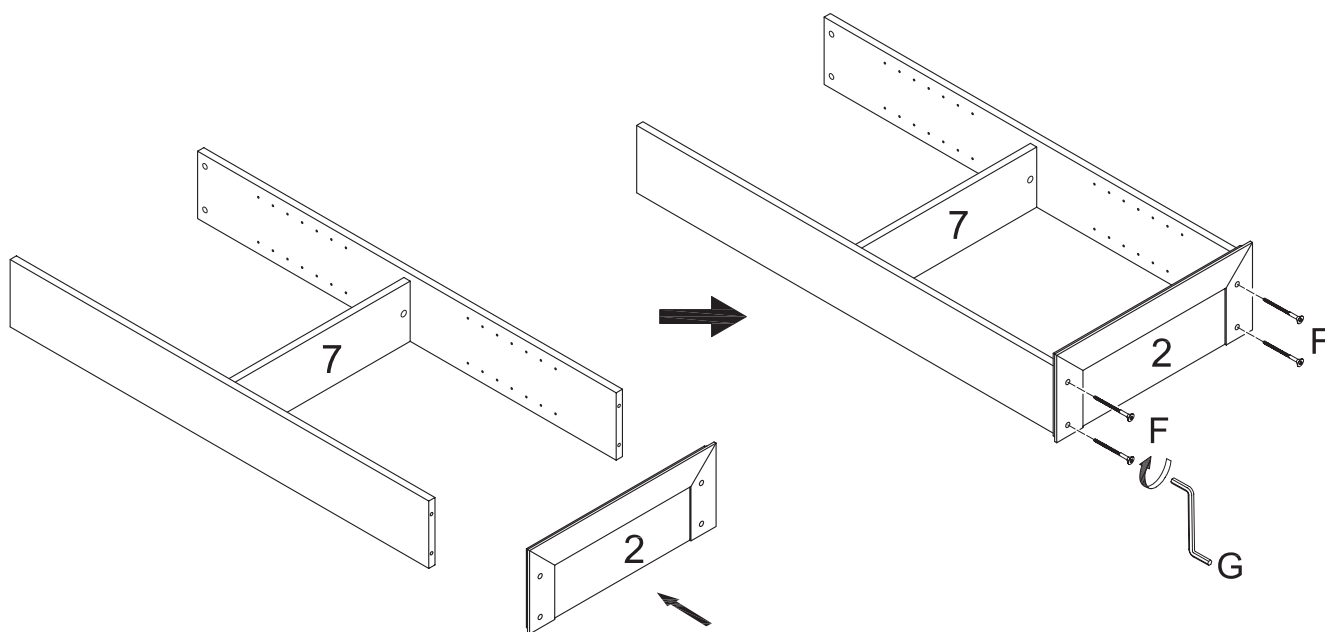
Screw cam bolts (B) into side panels (3,4).

Step 3



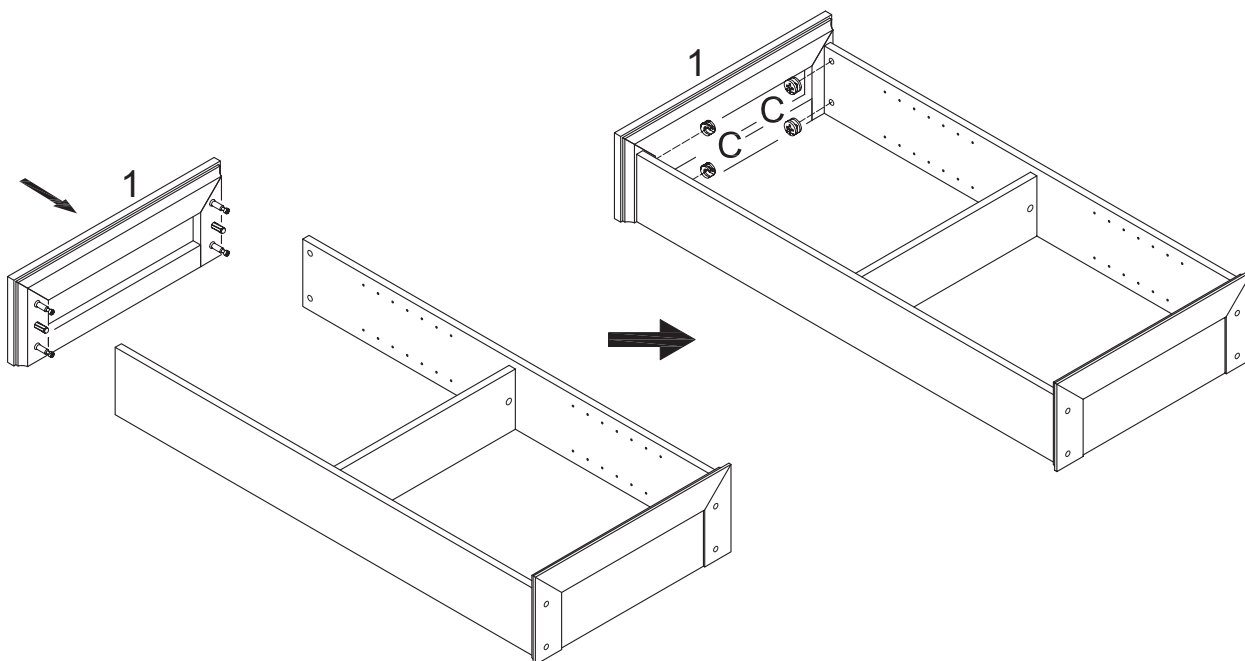
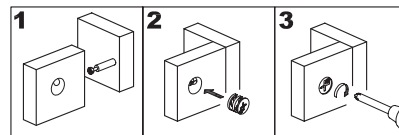
Attach side panels (3,4) to shelf (7) using cam bolts and dowels as guides. Insert cam locks (C) into shelf (7) and tighten with a screwdriver.

Step 4



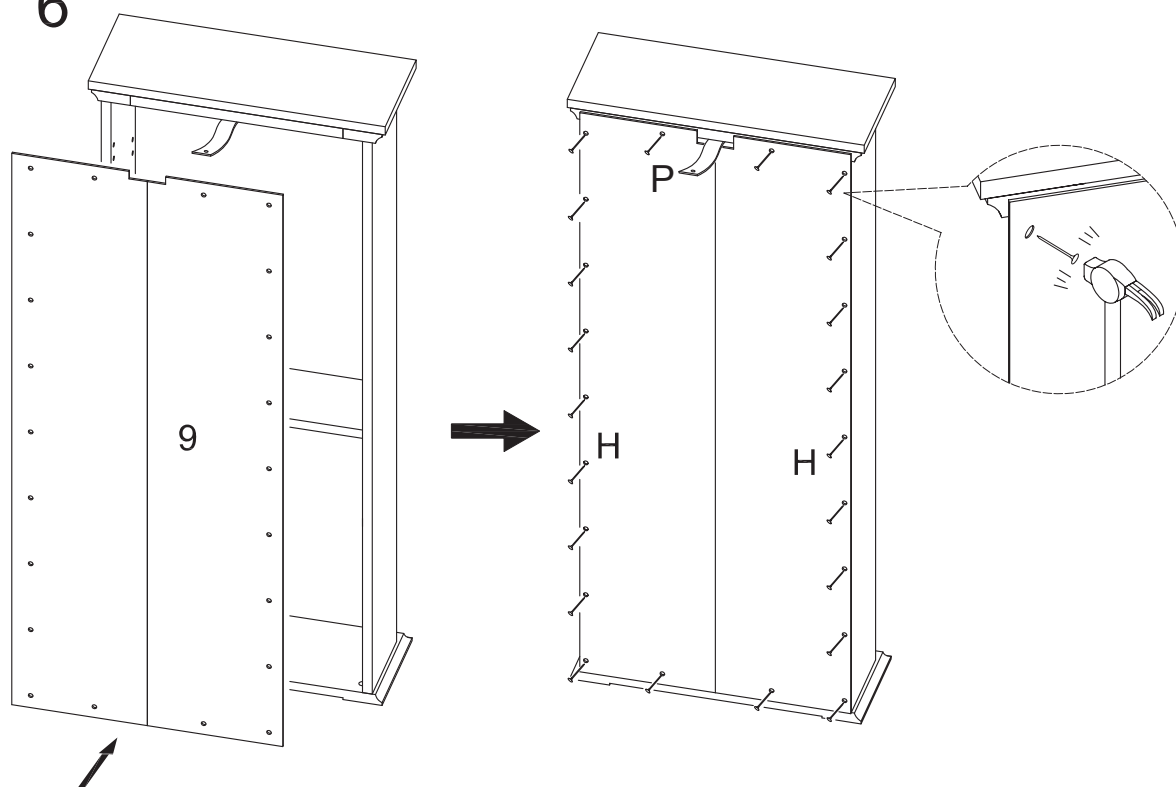
Attach bottom panel (2) to the assembly from Step 3 using large bolts (F) and wrench (G).

Step 5



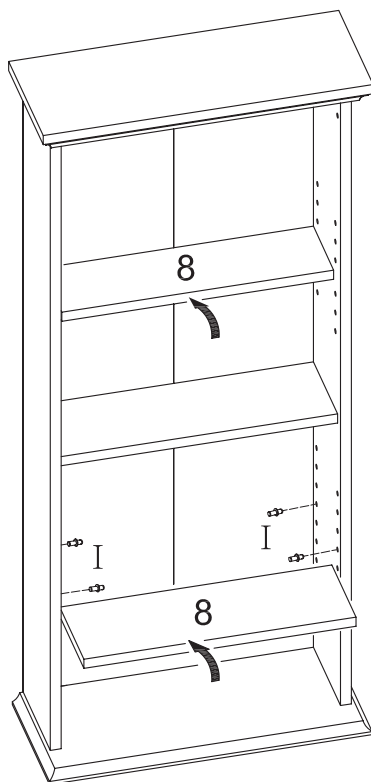
Attach top panel (1) to the assembly from Step 4 using cam bolts and dowels as guides. Insert cam locks (C) into top panel (1) and tighten with a screwdriver.

Step 6



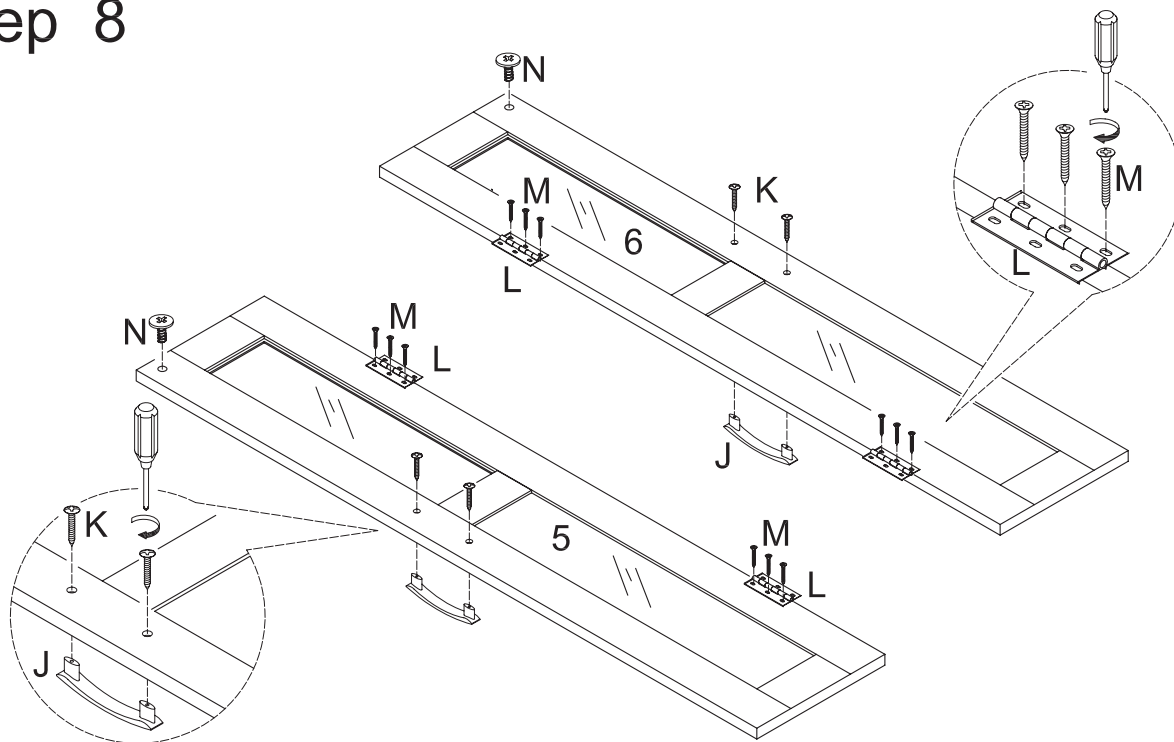
Secure back panel (9) to the assembly from Step 5 by gently hammering nails (H) into the assembly at the points shown above. Note that nylon strap (P) should hang out the back of the assembly.

Step 7



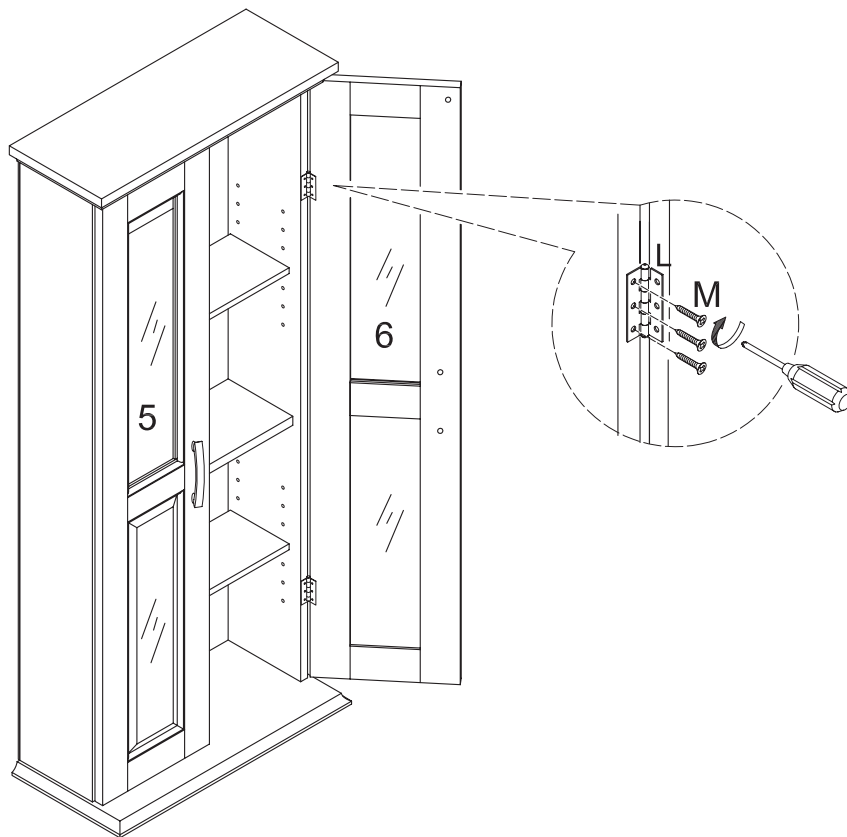
Insert shelf support pins (I) into the stand assembly at desired shelf heights. Carefully place shelves (8) onto shelf support pins (I). *Note that there will be two shelf support pins on either end of each shelf.*

Step 8



Attach handles (J) to doors (5,6) using medium screws (K). Attach hinges (L) to doors (5,6) using flat-head screws (M). Screw small bolts (N) into doors (5,6).

Step 9



Attach doors (5,6) to the assembly from Step 7 using flat-head screws (M) at hinges (L).

Step 10

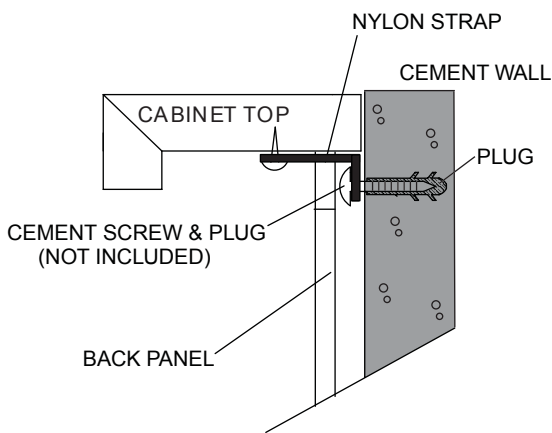


Final Assembly

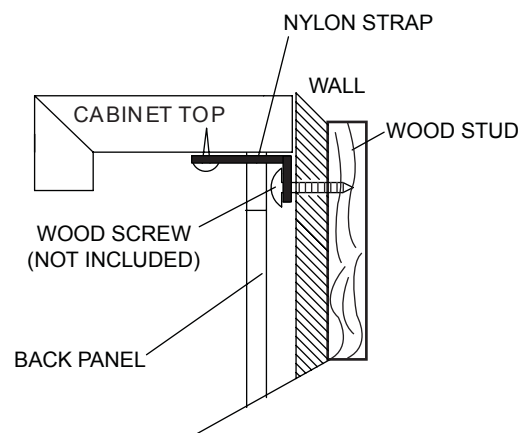
Step 11 (Optional)

Walker Edison Furniture Company strongly recommends that this item is attached to a wall to prevent it from falling over. Due to the wide variety of wall types, the necessary hardware for wall attachment may not be included. There is included in this package large screw (R) and plug (S) for use in general wall attachment. To attach the item to a wall, use only hardware that is suitable for that particular wall type. Several hardware and wall types are illustrated below. Suitable hardware is available from any hardware store. Please seek professional advice if you are unsure of your ability to mount this item correctly.

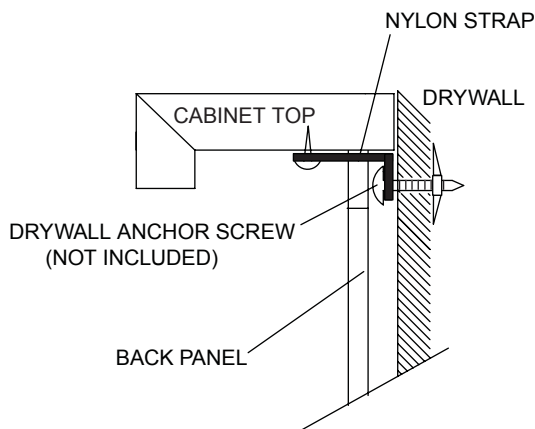
Cement/Brick



Wood Studs



Drywall



Metal Studs

