



Charlestown™



Model# 120342LF - Brushed Nickel Premier Two-Handle Widespread Lavatory Faucet

At a Glance:

- All-metal construction with lead-free brass waterways
- Two metal lever handles
- Wear-resistant ceramic disc cartridges
- Provides flow rate of 1.5 GPM
- High-rise swivel spout
- Includes brass pop-up with color-matched trim
- Includes Snap-Connect feature for easy hose installation
- Fits decks up to 2-1/4" thick
- Suitable for 3-hole installations (6" to 8" on-center)
- 1/2" MIP copper supply tubes
- Certified lead-free

Compliance:

- Complies with ADA (Americans with Disabilities Act)
- Complies with requirements of ASME A112.18.1
- Complies with toxicity requirements of NSF 61-9 and CA Proposition 65
- Meets lead-free requirements of California Health & Safety Code 116875 (AB1953)
- Meets lead-free requirements of NSF 372
- Complies with requirements of CSA B125

Warranty:

- Limited Lifetime Warranty
*Refer to Premier Faucet warranty program for further details and restrictions.

Faucet Features:

Dimensions (WxHxD)	12-1/4" x 7-3/8" x 7-3/8" @ 6"
Finish	PVD Brushed Nickel
Platform	Brass
Flow Rate	1.5 GPM
Flow Restriction Type	FR (Fixed Restrictor)
Centers Holes	6" to 8" 3-Hole
Handle Screw	Phillips Head x 10-24
Handle Type	Two Lever
Handle Material	Metal
Control	Ceramic Disc Cartridges
Inlet Connections	1/2" MIP
Inlet Type	Copper Supply Tubes
Max. Deck Thickness	2-1/4"
Body Material	Brass
Aerator Size	Regular (55/64"-27 Female)
Spout Reach	5-3/8"
Cross Hose Connection	Snap-Connect
Pop-Up Type	Brass
Package Size (WxDxH)	16-1/2" x 10-3/8" x 3"
Package Weight	6.4 lbs.
Case Size (WxDxH)	17-1/2" x 11-1/4" x 10-1/4"
Case Weight	20.2 lbs.

Listings:

- IAPMO (International Association of Plumbing & Mechanical Officials)
- cUPC (Uniform Plumbing Code-US & CA)
- IAPMO-Certified Lead-Free
- CSA-US (Canadian Standards Association-US & CA)
- EPA WaterSense-Approved
- DOE (Department of Energy)
- Commonwealth of Massachusetts

Optional Accessories:

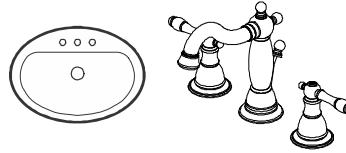
- 119284 - 18" Towel Bar, Brushed Nickel
- 119287 - 24" Towel Bar, Brushed Nickel
- 119293 - Robe Hook, Brushed Nickel
- 119296 - Towel Ring, Brushed Nickel
- 119290 - Toilet Paper Holder, Brushed Nickel



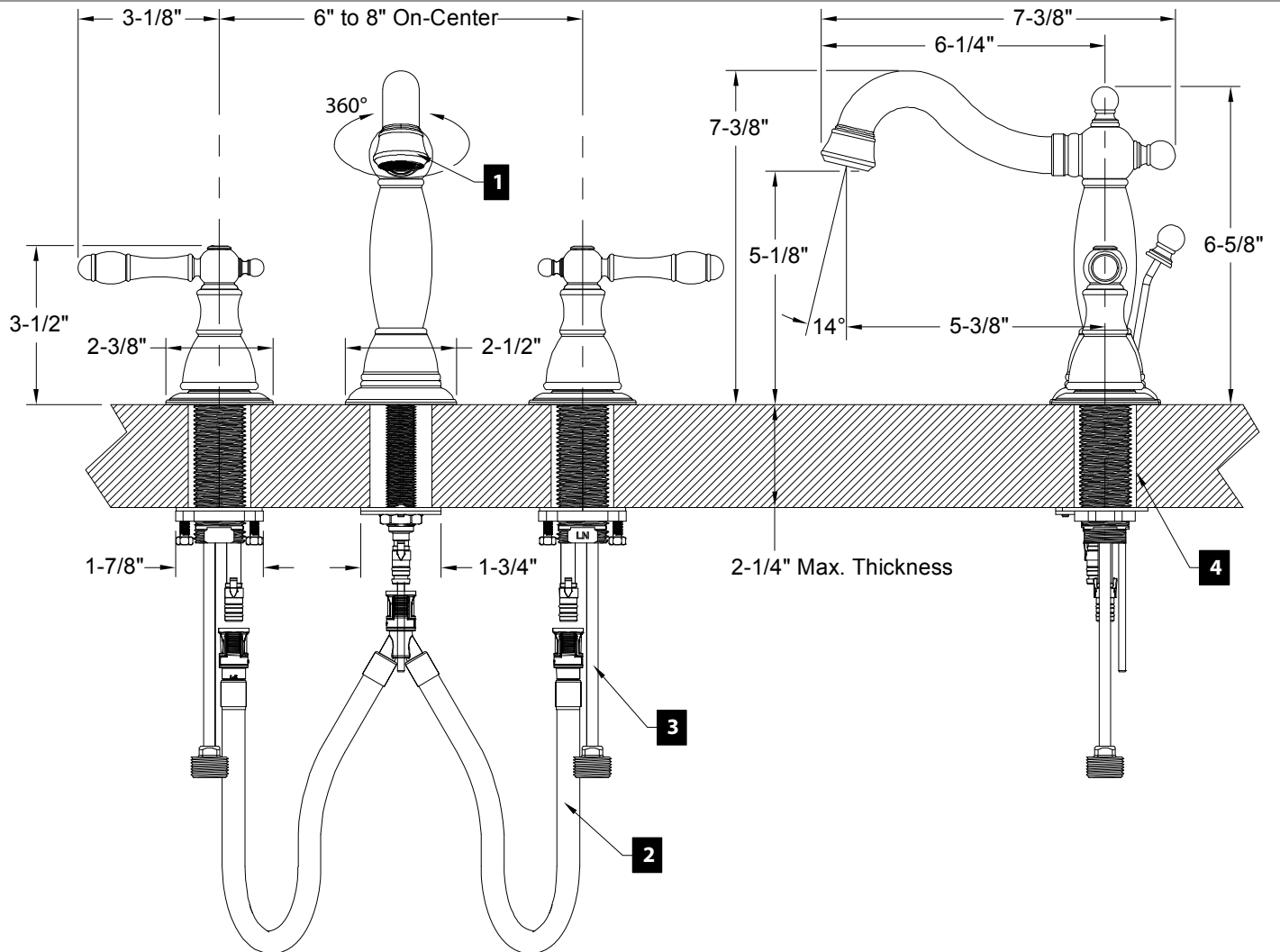


Installation Configurations:

3-Hole Installation



Dimensional Drawing:



- 1) 55/64"-27 female threaded aerator shell
- 2) Vinyl-reinforced interconnection hose features Snap-Connect for fast installation
- 3) Copper supply tubes with 1/2" MIP connections
- 4) Fits standard hole openings 1-1/4" to 1-1/2" in diameter

For additional information, contact Premier Faucet at 866-745-4010 or visit our website at www.premierfaucet.com.

