

## CARE AND MAINTENANCE

Store outdoor furniture indoors or cover well when not in use.

Remove wooden furniture from standing water. Dust regularly with small brush or vacuum

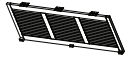

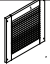
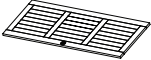






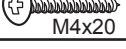
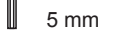
Spills should be taken care of immediately before they harden or stain with a slightly dampened sponge.

## NOTICE

- \* Please make sure that you have all parts indicated before you begin assembly of this item
- \* This item should be assembled on a soft surface to prevent scratching the finish during assembly
- \* This item may require periodic tightening

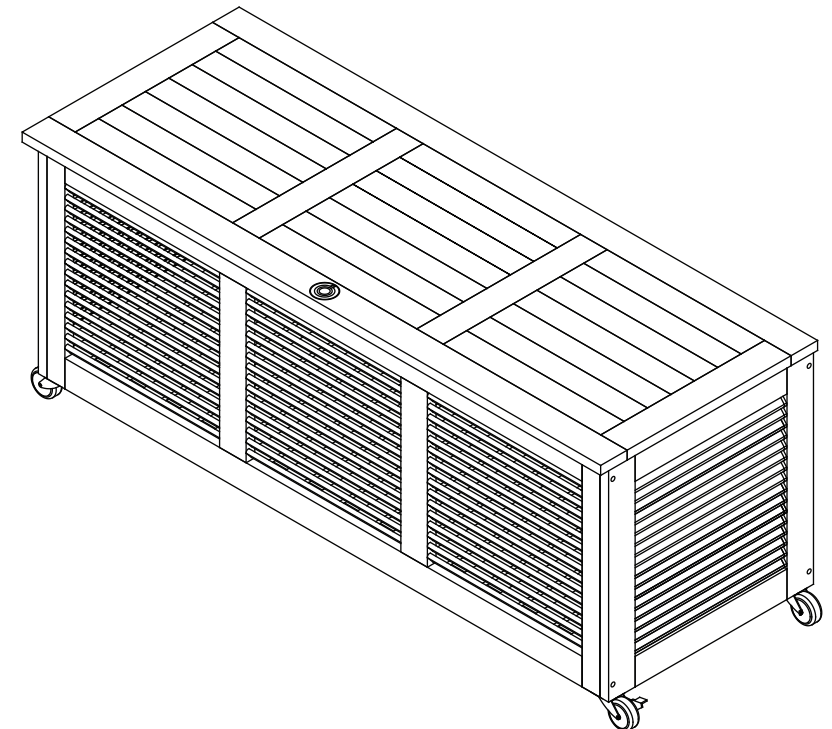
 **SAFAVIEH**  
O U T D O O R

## Part List and Hardware List

PIECE	DESCRIPTION	PICTURE	QUANTITY
A	Back panel		1X
B	Front panel		1X
C	Leg frame		2X
D	Seat frame		1X
E	Bottom frame		1X
H1	Wheel-1		2X
H2	Wheel-2		2X
H3	Screw -1	 M6x60	8X
H4	Hinge		2X
H5	Screw -2	 M4x15	17X
H6	Screw- 3	 M4x20	16X
H7	Allen key	 5 mm	1X

Model# PAT7038

Product Dimensions:47.2" W x 17.7" D x 18.9" H



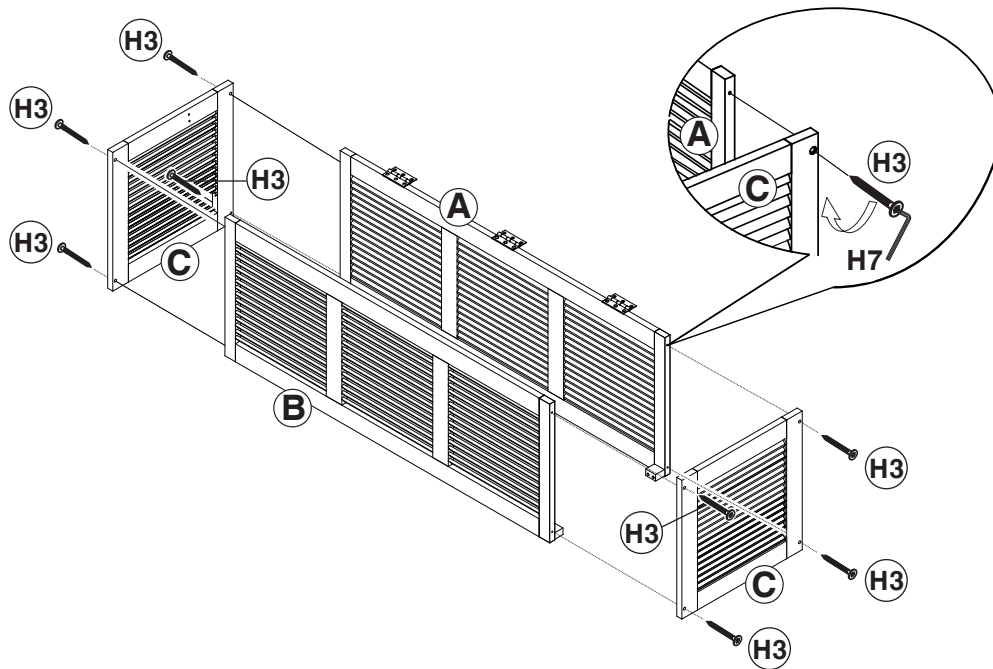
## PREPARATION

Before beginning assembly of product, make sure all parts are present. Compare parts with package contents list and hardware contents list. If any part is missing or damaged, do not attempt to assemble the product.

Estimated Assembly Time: 40 minutes.

Tools Required for Assembly (included): Allen Key

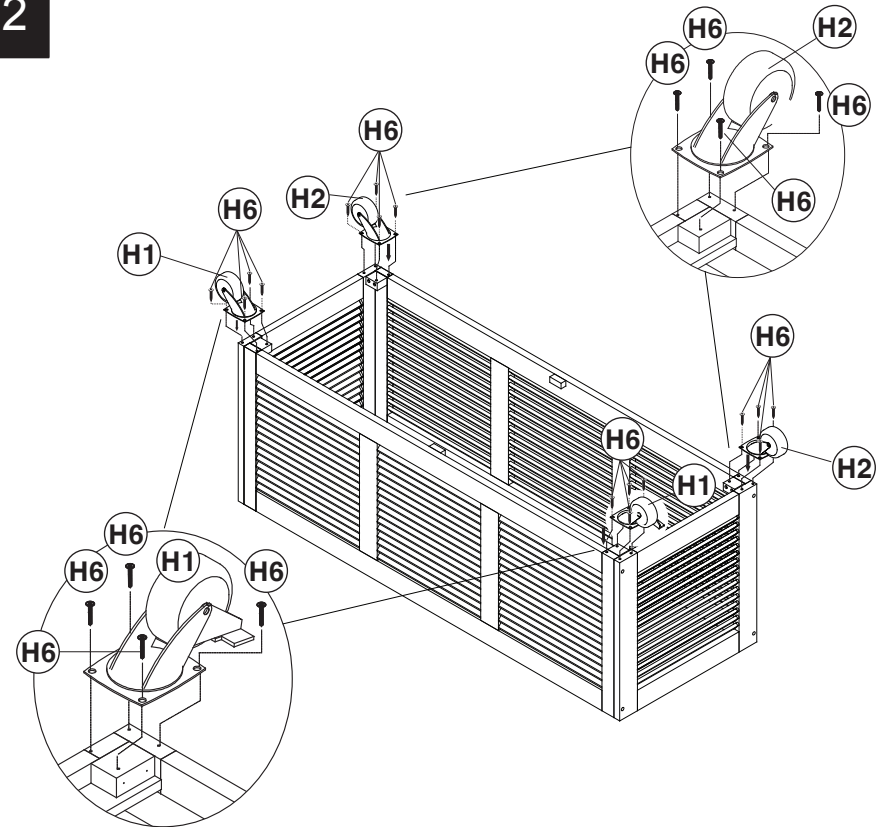
1



### Step 1

Attach leg frame (C) to front panel (B) and back panel (A) by using screw (H3), tighten with allen (H7)

2



### Step 2

Attach Wheel-1(H1) to front panel (B) and leg frame (C) by using screw (H6). Attach Wheel-2(H2) to back panel (A) and leg frame (C) by using screw (H6).

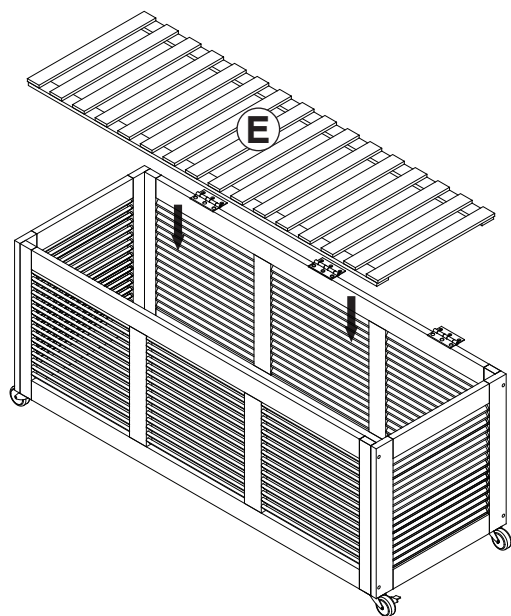
## PREPARATION

Before beginning assembly of product, make sure all parts are present. Compare parts with package contents list and hardware contents list. If any part is missing or damaged, do not attempt to assemble the product.

Estimated Assembly Time: 40 minutes.

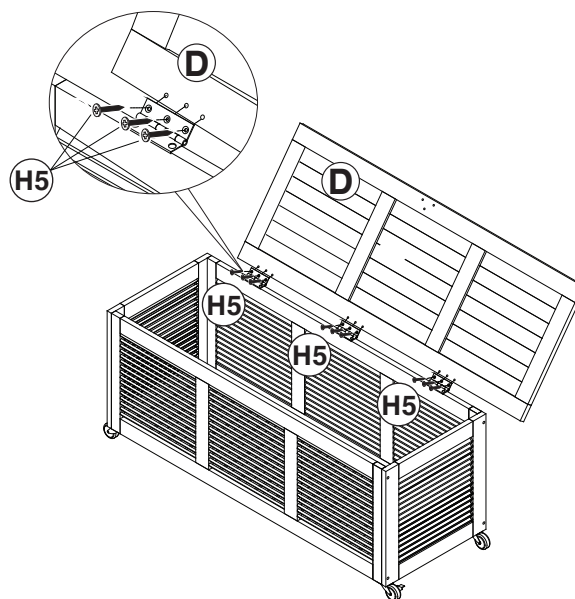
Tools Required for Assembly (included): Allen Key

3



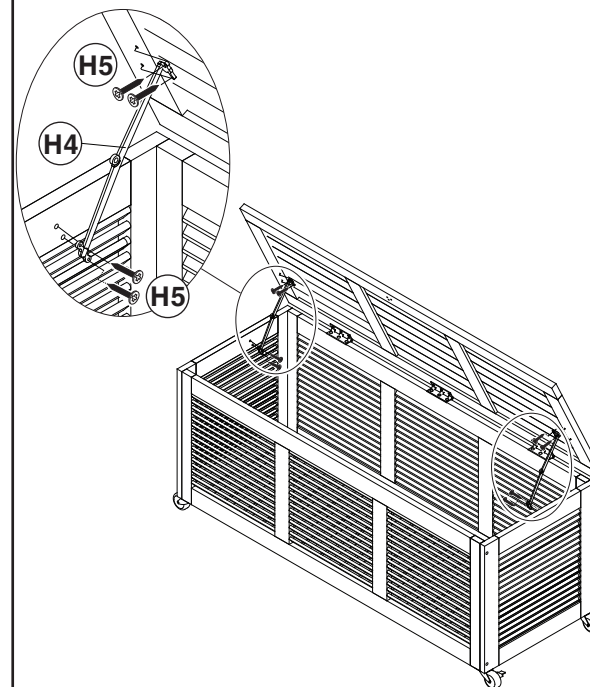
Step 1  
(E) Pull down as the arrow

4



Step 2  
Attach back panel (A) to seat frame (D)  
by using screw (H5),

5



Step 3  
Use screw (H5) to attach hinge (H4)  
to seat frame (D) and leg frame (C),