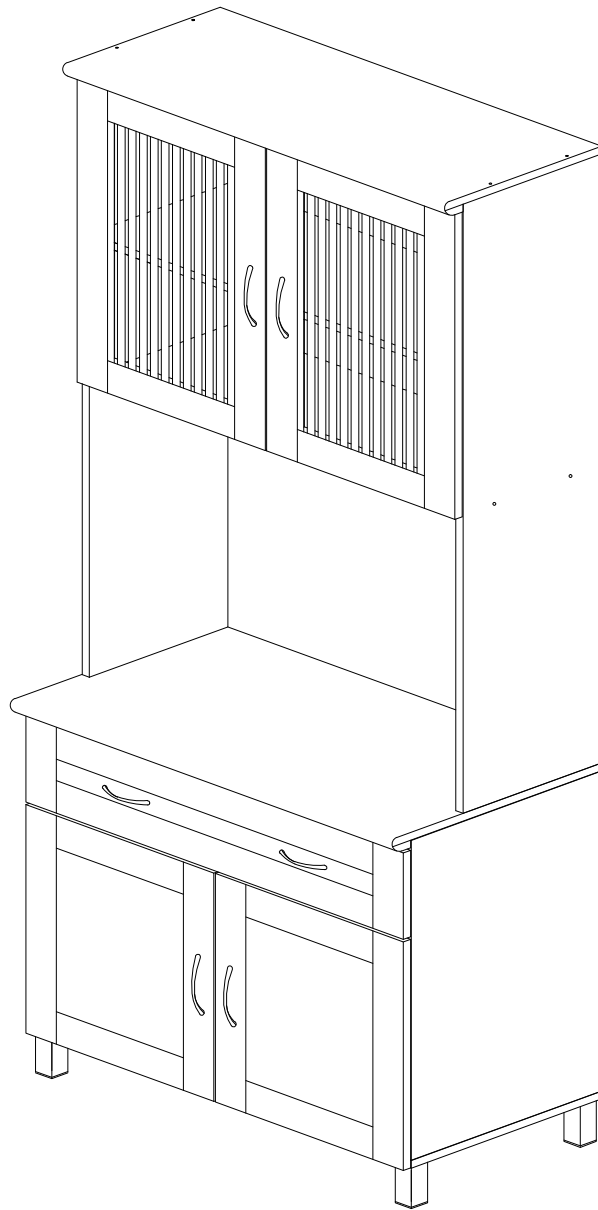




**Hodedah**  
[www.hodedah.com](http://www.hodedah.com)  
[support@hodedah.com](mailto:support@hodedah.com)



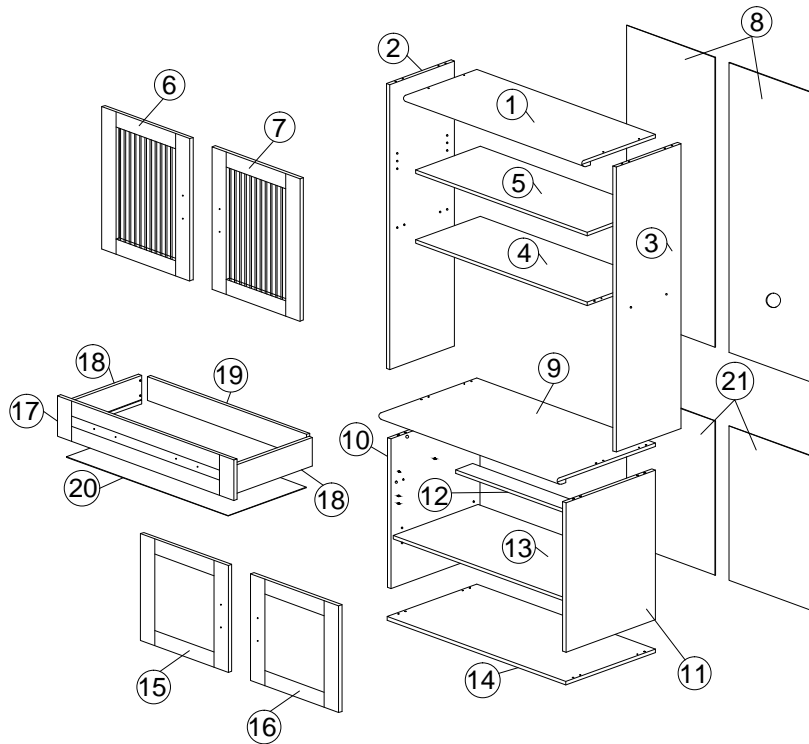
**HIKF 92-MOP**  
**L 31  $\frac{4}{8}$ " X D 17" X H 42  $\frac{4}{8}$ "**



# Hodedah

www.hodedah.com  
support @hodedah.com

## PART & HARDWARE LIST



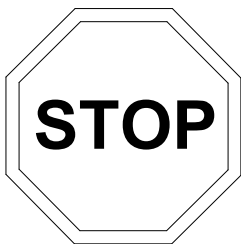
A		PLASTIC DOWEL M8 X 25MM	22
B		CB SCREW M3.5 X 12MM	12
C		CB SCREW M3.5 X 16MM	49
D		CB SCREW M4 X 35MM	8
E		CSK CAP M6 X 40MM	18
F		CB SCREW M4 X 35MM	2
G		ALLEN KEY	1
H1		HANDLE IP994 (96MM) - PVC	6
H2		P/H SCREW M4 X 20MM	8
H3		P/H SCREW M4 X 31MM	4

K		CAP	14
J		MINIFIX 5654	4
K		HINGES 5/8" (OUTSIDE)	8
L		CABINET STOPPER	1
M		POWER NAIL 6/8	76
N		PVC SHELF SUPPORT	8
O		DRAWER SLIDE 14"	1
P		ABS SQUARE LEG	4



**Hodedah**  
[www.hodedah.com](http://www.hodedah.com)  
[support @hodedah.com](mailto:support@hodedah.com)

- This product contains small components, please ensure that they are kept away from small children.
- THIS INSTRUCTION BOOKLET CONTAINS **IMPORTANT** SAFETY INFORMATION. PLEASE READ AND KEEP FOR FUTURE REFERENCE.



DO NOT RETURN PRODUCT TO THE STORE.

If a part is missing or damaged, email our customer service. We will gladly ship your replacement parts **FREE** of charge.

**Need Parts or Assistance?**

email us at

**[support@hodedah.com](mailto:support@hodedah.com)**

For prompt, reliable service; please have your assembly manual ready.



**Hodedah**  
[www.hodedah.com](http://www.hodedah.com)  
[support @hodedah.com](mailto:support@hodedah.com)

Thank you for purchasing from Hodedah

**To learn more about hodedah and our products visit  
[www.hodedah.com](http://www.hodedah.com)**

**READ BEFORE BEGINNING ASSEMBLY**

- Read each step carefully. It is very important that each step of instruction is performed in the correct order. If these steps are not followed in sequence, assembly difficulties will occur.
- Make sure all parts are included. Most parts are labeled or stamped on the raw edge.
- Work in spacious area, preferably on a carpet, near the place the unit will be used.
- Do not use power tools to assemble your furniture. Power tools may strip or damage the parts.

**HELPFUL HINTS**

- Call us if you need assistance.
- Move your new furniture carefully, with two people lift and carry the unit to it's new location.
- Never push, drag or pull your furniture (especially on carpet).

**Warranty Information**

Hodedah warrants this product to be free from defects in material and workmanship agrees to remedy any such defect. This warranty covers one year from the date of original purchase. This is solely limited to be repair or replacement of defective parts and no assembly labor is included.

This warranty does not apply to any product which has been improperly assembled, subjected to misuse or abuse or which has been altered or repaired in any way.

To obtain warranty, purchaser must present original bill of sale. Components repaired or replaced warranted through the remainder of the original warranty period only. The defective components will be repaired or replaced without charge, subject to the terms and conditions described above.



**For help with assembly, identifying parts, product information or to  
order parts, please contact us :**

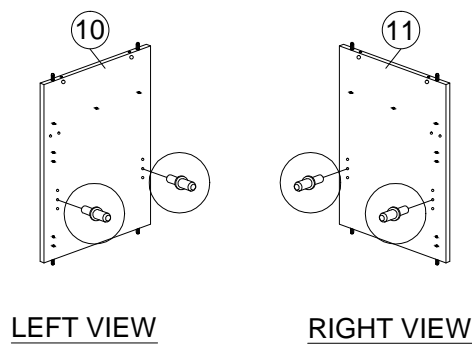
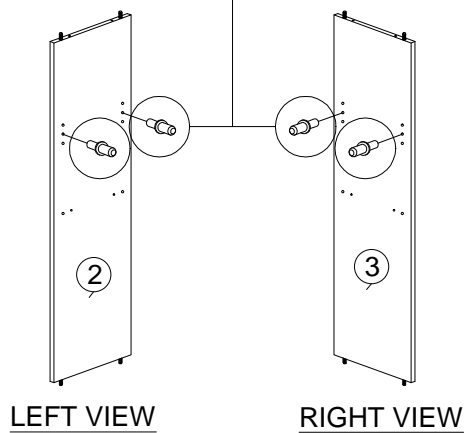
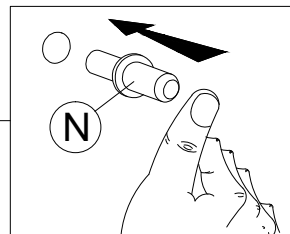
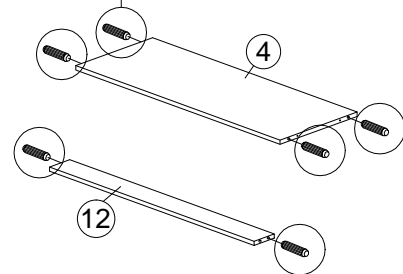
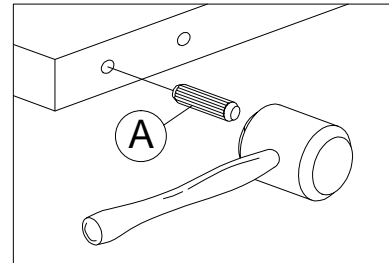
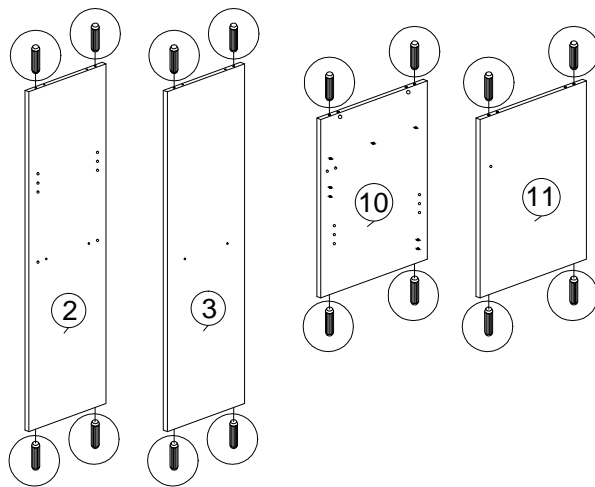
Call us at :  
718-456-0505  
Monday - Friday  
9:00am - 5:00pm

Visit our website :  
[www.hodedah.com](http://www.hodedah.com)



## STEP 1

A		PLASTIC DOWEL M8 X 25MM	22
N		PVC SHELF SUPPORT	8

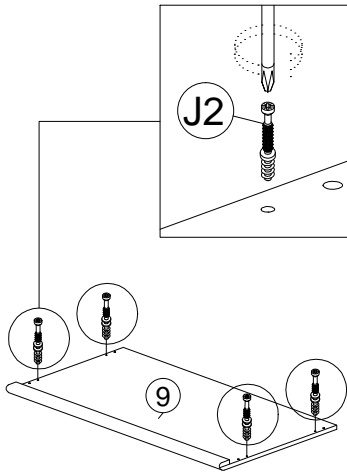


- Insert 22 x Plastic dowel (A) into panels (2), (3), (4), (10), (11) & (12) using a plastic hammer.
- Insert 8 x Pvc shelf support (N) into panels (2), (3), (10) & (11) by push with thumb.

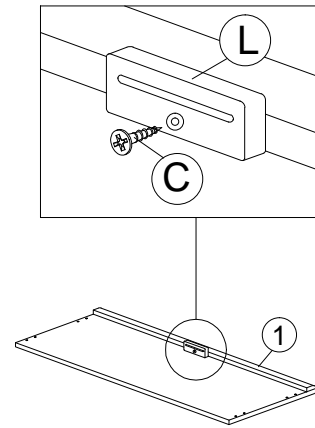
## STEP 2

B		CB SCREW M3.5 X 12MM	6
C		CB SCREW M3.5 X 16MM	17
J2		MINIFIX 5654	4

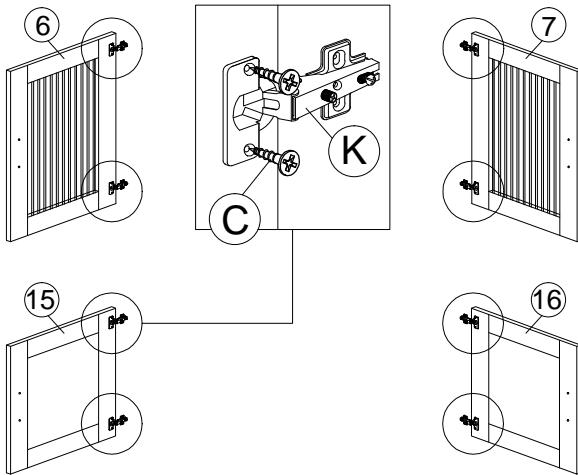
K		HINGES (OUTSIDE)	8
L		CABINET STOPPER	1
O1		DRAWER SLIDE 14"	2



BOTTOM VIEW

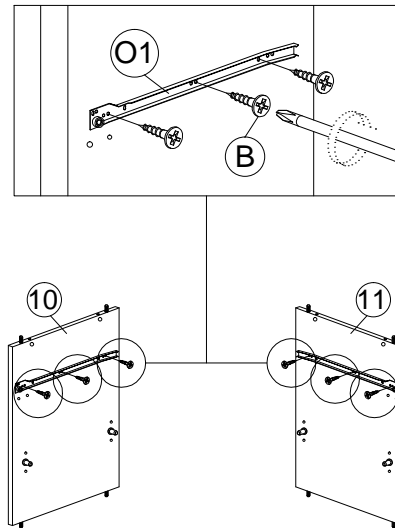


BOTTOM VIEW



LEFT VIEW

RIGHT VIEW



LEFT VIEW

RIGHT VIEW

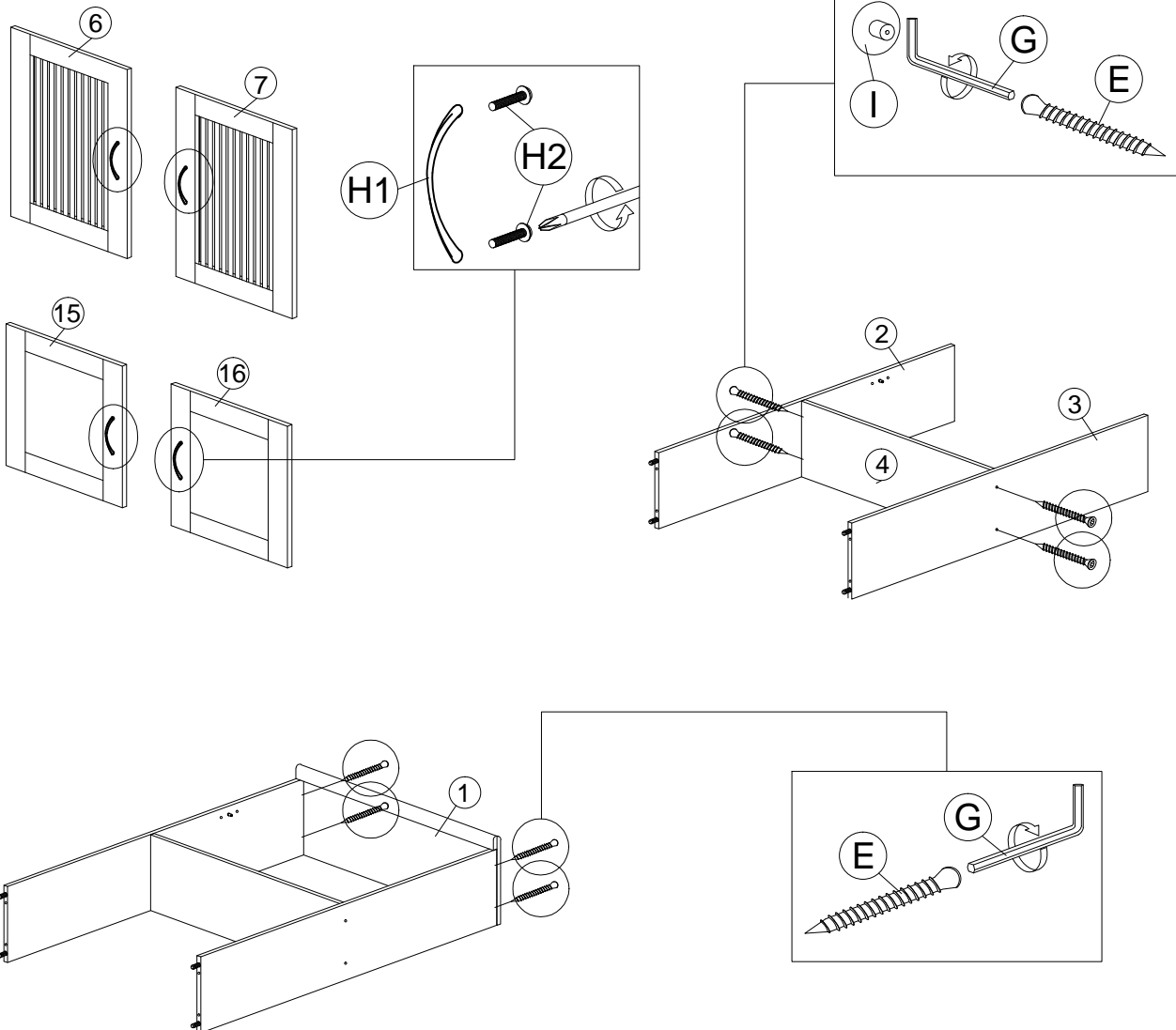
- Insert 4 x Minifix 5654 (J2) into the bottom of Panel (9) using a Philips head screwdriver.
- Fix 1 x Cabinet stopper (L) into panels (1) laying with CB Screw M3.5 x 16mm (C) using a Philips head screwdriver.
- Fix 8 x Hinges (K) into Panel (6), (7), (15) & (16) with CB Screw M3.5 x 16mm (C) using a Philips head screwdriver.
- Assemble 2 x Drawer slide (O1) to Panel (10) & (11) with CB Screw M3.5 x 12mm (B) using Philips head screwdriver.



## STEP 3

E		CSK CAP M6 X 40MM	8
G		ALLEN KEY	1
H1		HANDLE IP991 (96MM) - PVC	4

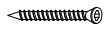
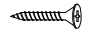
H2		P/H SCREW M4 X 20MM	8
I		CAP	4



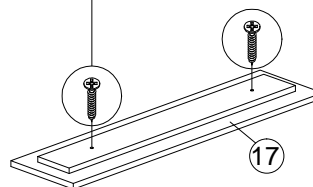
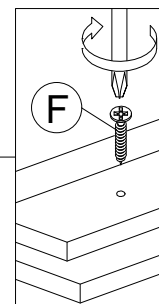
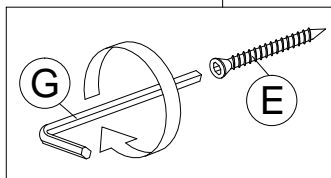
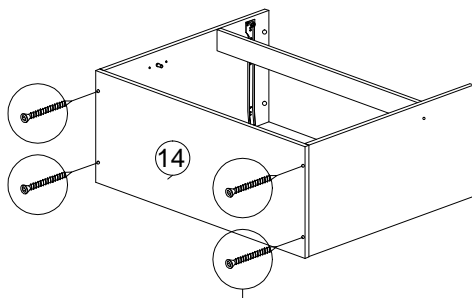
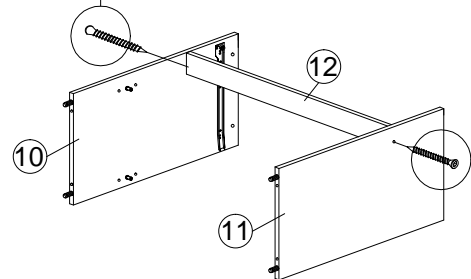
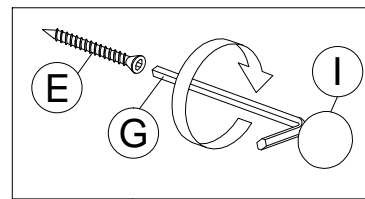
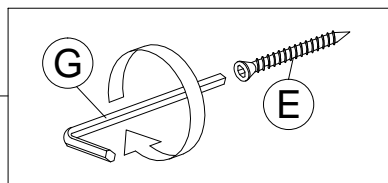
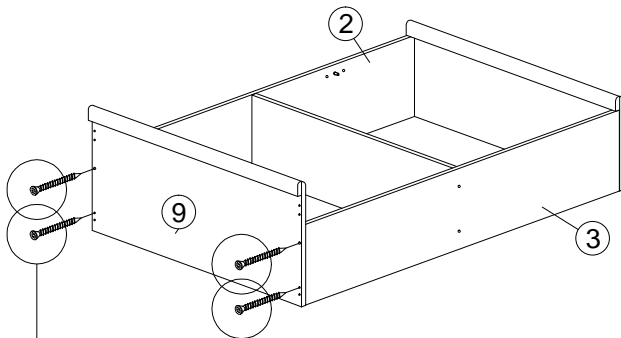
- Fix 4 x Handle IP994 (H1) to Panel (6), (7), (15) & (16) with 8 x P/H Screw M4 x 20mm (H2) using a Philips head screwdriver.
- Attach Panel (4) into Panel (2) & (3) with CSK Cap M6 x 40mm (E) by using a Allen Key (G). Fix Cap (I) for cover the screw holes.
- Attach Panel (1) into Panel (2) & (3) with CSK Cap M6 x 40mm (E) by using a Allen key (G).



## STEP 4

E		CSK CAP M6 X 40MM	10
F		CB SCREW M4 X 25MM	2

G		ALLEN KEY	1
I		CAP	2

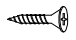
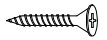






- Attach panels (9) to panel (2) & (3) with 4 x Csk Cap M6 x 40mm (E) using Allen key (G).
- Attach Panel (12) to Panel (10) & (11) with Csk Cap M6 x 60mm (E) using Allen key (G). Fix Cap (i) for cover the screw holes.
- Attach Panel (14) to Panel (10) & (11) with Csk M6 x 40mm (E) using Allen key (G).
- Insert CB Screw M4 x 25mm (F) to Panel (17) by using Philip Head Screw driver.

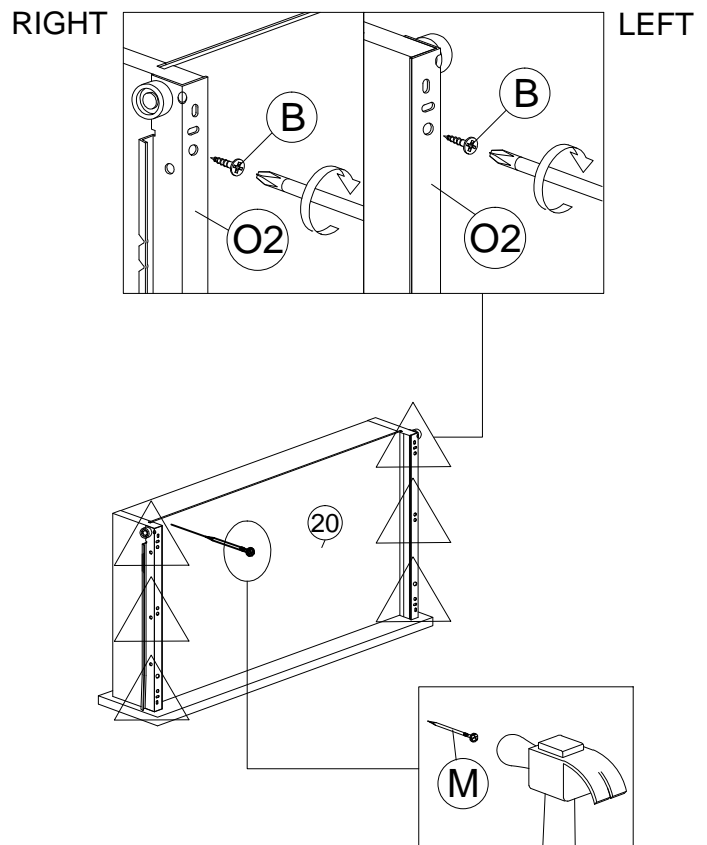
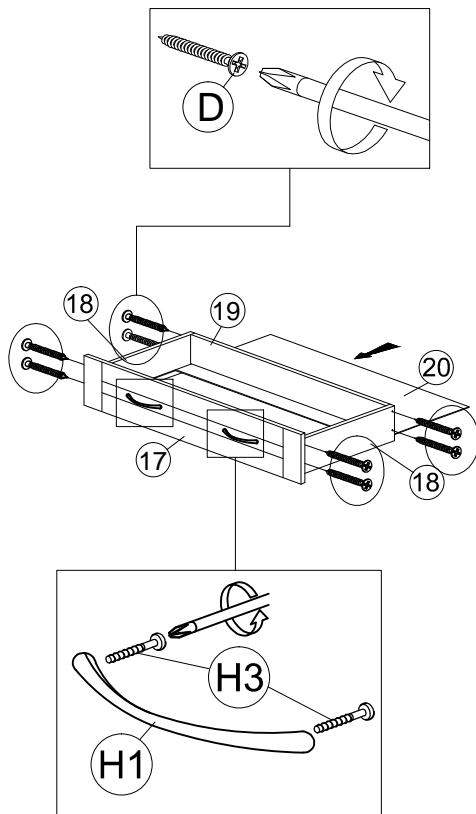




## STEP 5

B		CB SCREW M3.5 X 12MM	6
D		CB SCREW M4 X 35MM	8
H1		HANDLE IP994 (96MM)	2
H3		P/H SCREW M4 X 31MM	4

M		POWER NAIL 5/8"	8
O2		DRAWER SLIDE 14"	2



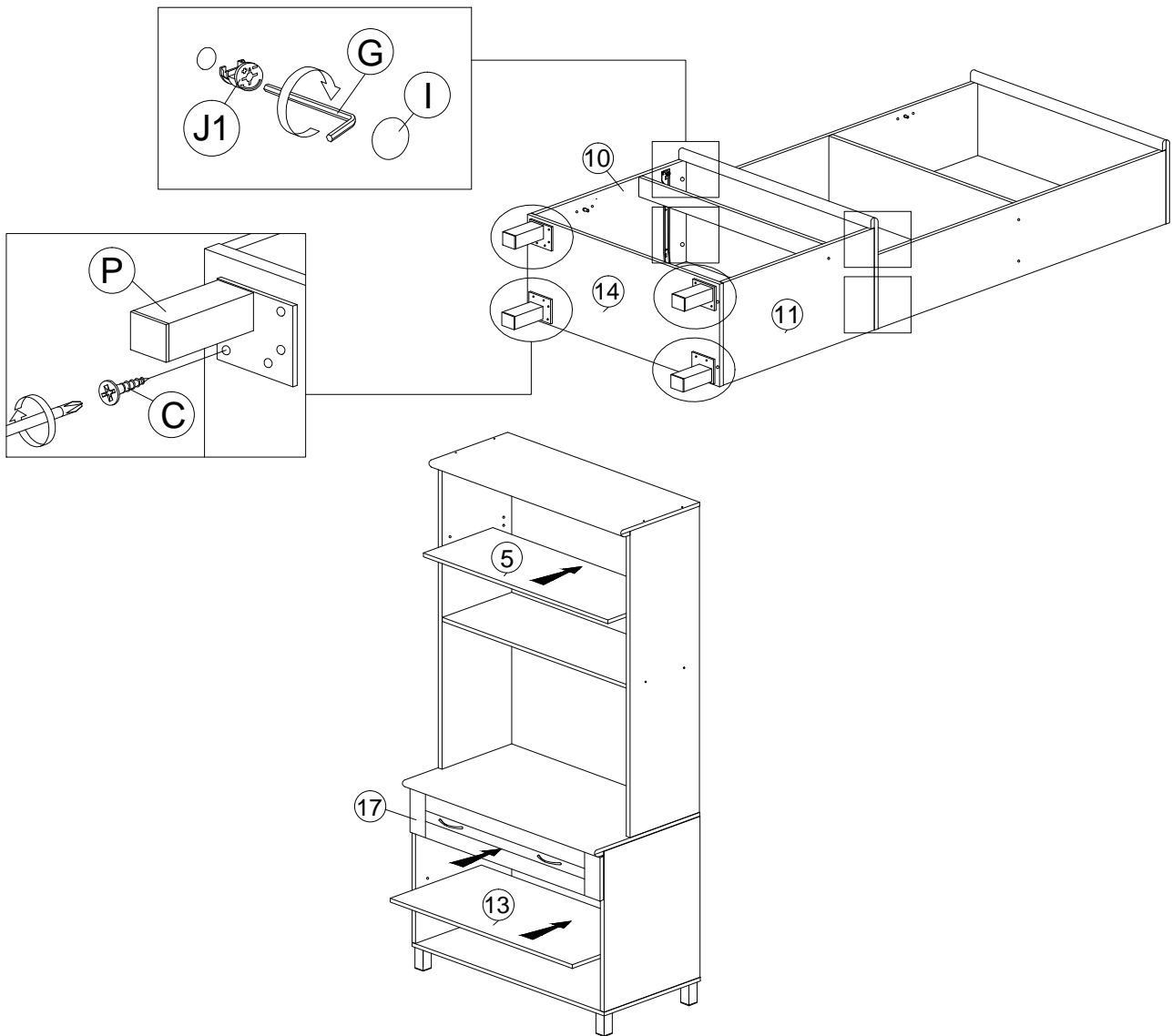
- Attach panels (17) & (19) to panel (18).
- Insert 8 x CB Screw M4 x 35mm (D) to panels (18) using a Phillips head screwdriver
- Attach 2 x Handle (H1) to panels (17) with 4 x P/H Screw M4 x 31 (H3) using a Phillips head screwdriver.
- Slide panel (20) into groove of panel (18).
- Attach 2 x Drawer slide 14" (O2) to panels (18) with 6 x CB Screw M3.5 x 12 (B) using a Phillips head screwdriver
- Fix 10 x Power nail (M) into panel (20) using a hammer.



## STEP 6

C		CB SCREW M3.5 X 16MM	16
G		ALLEN KEY	1
I		CAP	4

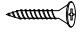
J1		MINIFIX 5654	4
P		ABS SQUARE LEG (H100MM)	4



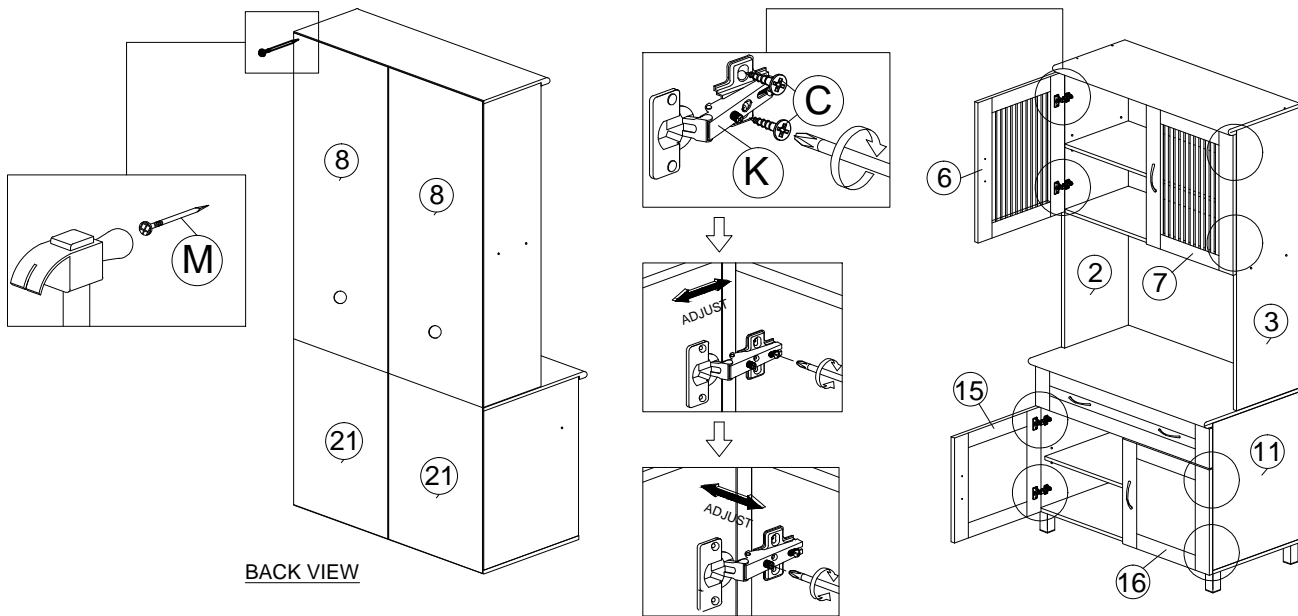
- Connect Panel (10) & (11) to Panel Panel (9) base with 4 x Minifix 5654 (J1) using Allen Key (G). Cover the minifix holes by using 4 x Cap (I).
- Assemble Abs Square Leg (P) into Panel (14) base with CB Screw M3.5 x 16mm (C) using Philip Head Screw driver.
- Slide the 1 x Drawer box into the Drawer Slide at Panel (10) & Panel (11).
- Slide 1 x Panel (13) between Panel (10) & (11).



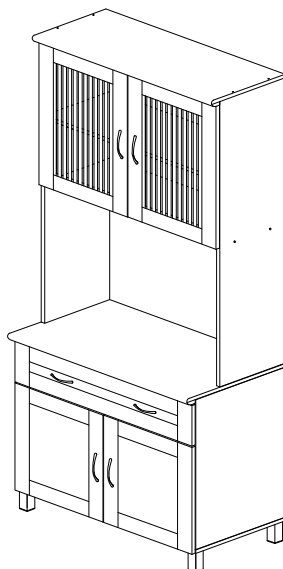
## STEP 7

C		CB SCREW M3.5 X 16MM	8
---	---	----------------------	---

M		POWER NAIL 5/8"	68
---	--	-----------------	----



- Fix 68 x Power nail (M) into 2 x Panels (8) & 2 x Panel (21) using a hammer.
- Attach Panel (6) & Panel (7) Hinges (K) with 4 x CB Screw M3.5 x 16mm (C) into Panel (2) & Panel (3) using Philip screwdriver.
- Attach Panel (15) & Panel (16) Hinges (K) with 4 x CB Screw M3.5 x 16mm (C) into Panel (10) & Panel (11) using Philip screwdriver.



## Job Complete !

In the interest of our environment please dispose of all packaging thoughtfully.