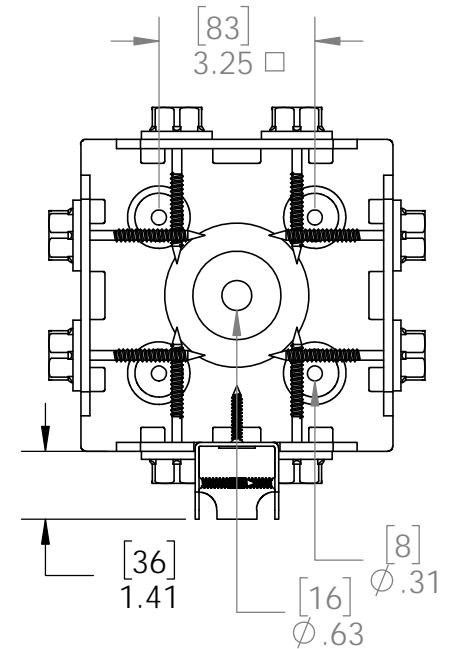
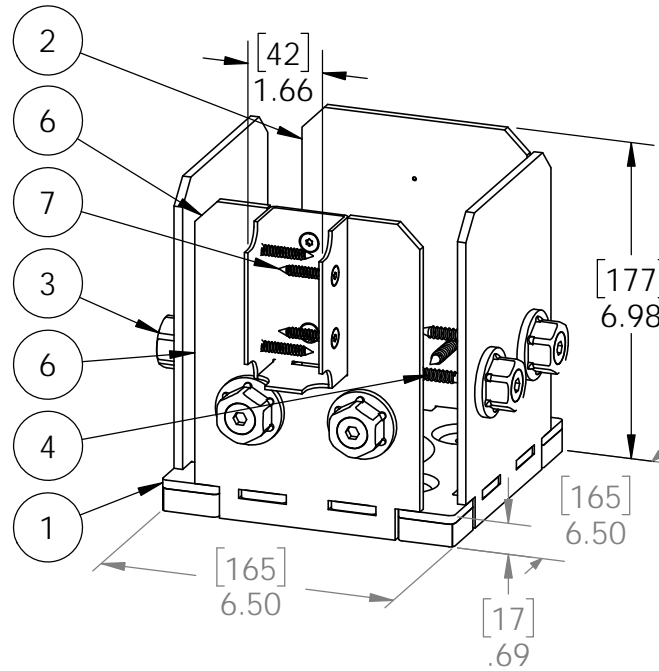
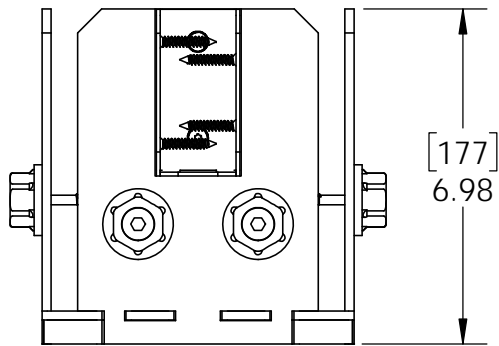
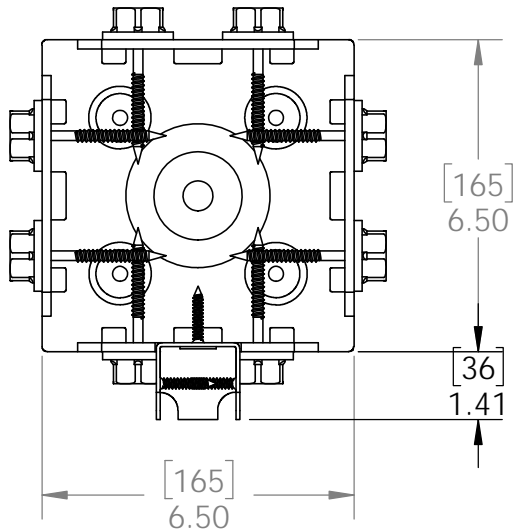


# Product & Packaging Specs

## 6x6 Post Base with Rail Saddle (6X6-SRS-IW)

Item #: 51771

ITEM NO.	QTY.	PART NUMBER	DESCRIPTION
1	1	56608-11	Assembly, 6x6 Stand Off
2	3	51708-15	Plate, 6x6 Side Compression
3	0.4	56621	1 1/2" Hex Cap Nut (HCN)
4	0.16	56626	OWT Timber Screw 2-3/4"
5	1	56641-12	Bracket, 2x4 Top Rail Saddle
6	1	51708-16	Plate, 6x6 Side Compression
7	6	80016	#12 x 1-1/4 Torx HD Sharp Point (T25)



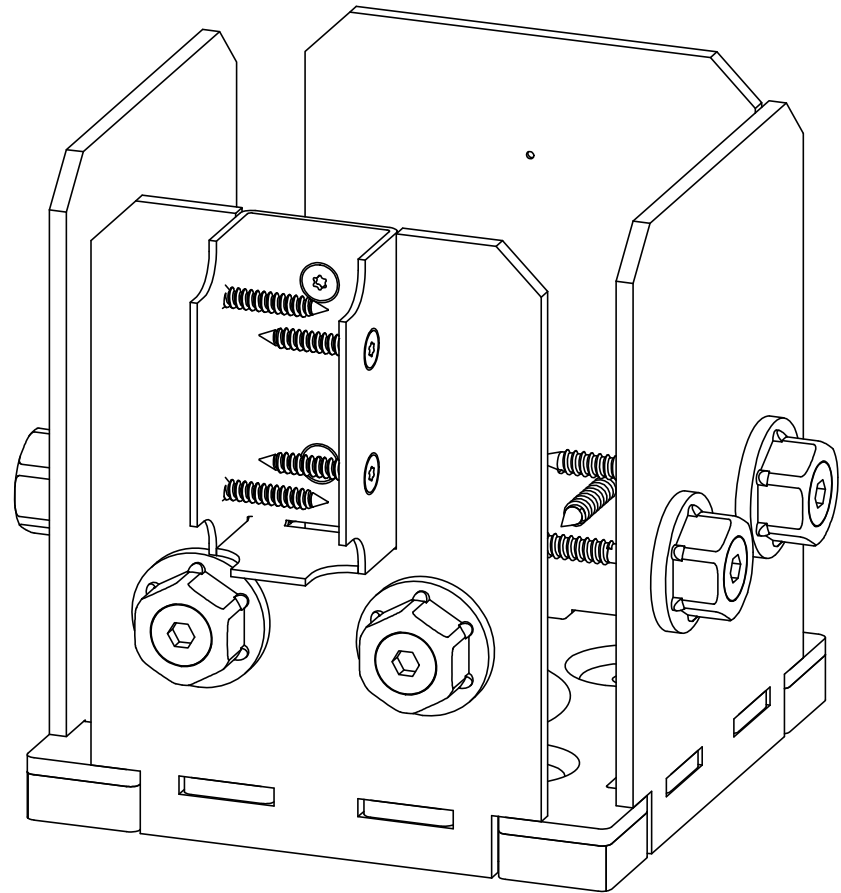
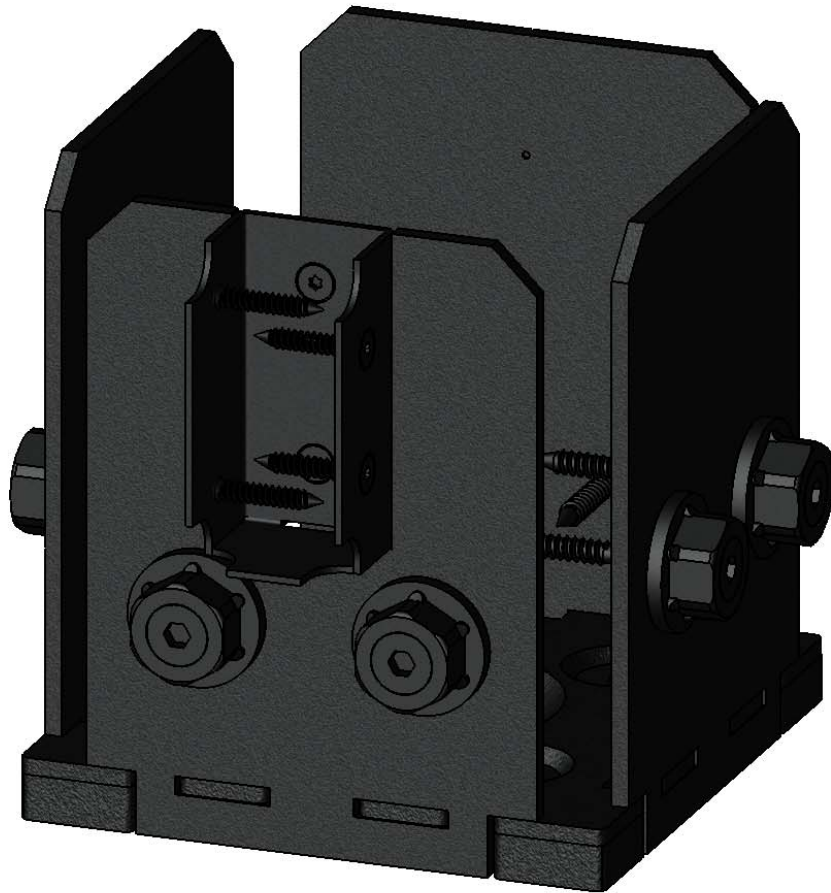
Weight: 9.98 LBS  
 Scale: 1:4  
 Last updated: 2/15/2017

51771

# Product & Packaging Specs

## 6x6 Post Base with Rail Saddles (6X6-SRS-IW)

Item #: 51771



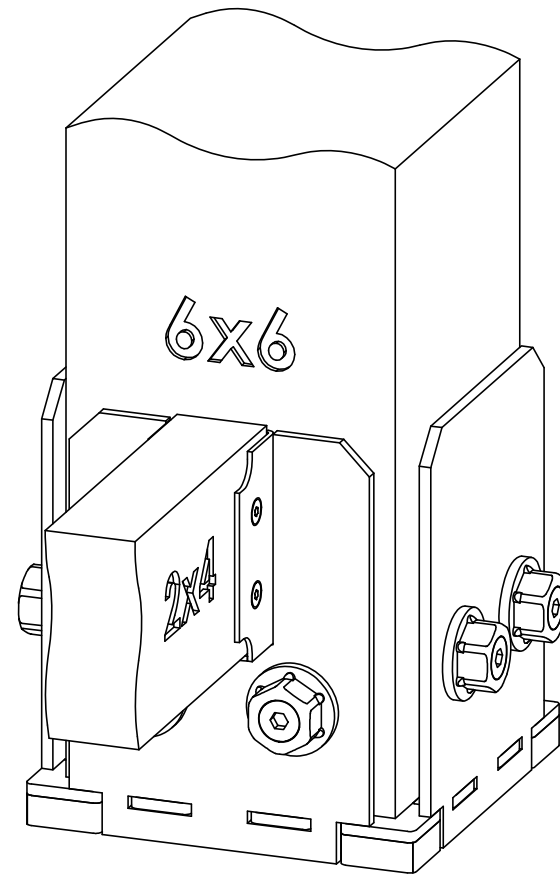
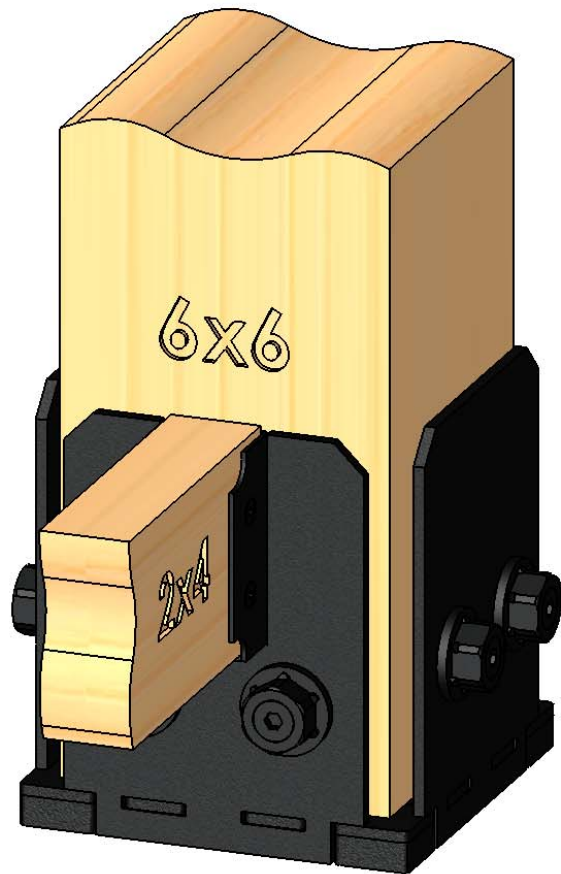
Weight: 9.98 LBS  
Scale: 1:2  
Last updated: 2/15/2017

51771

# Product & Packaging Specs

## 6x6 Post Base with Rail Saddles (6X6-SRS-IW)

Item #: 51771



Weight: 9.98 LBS  
Scale: 1:3  
Last updated: 2/15/2017

51771

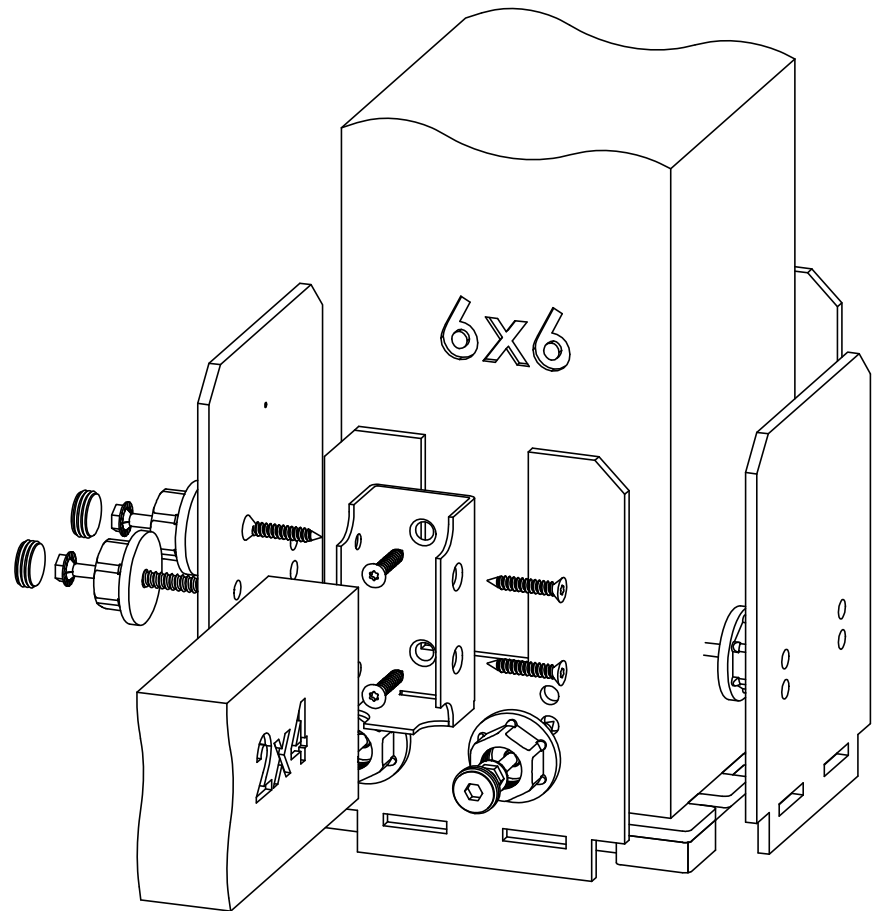
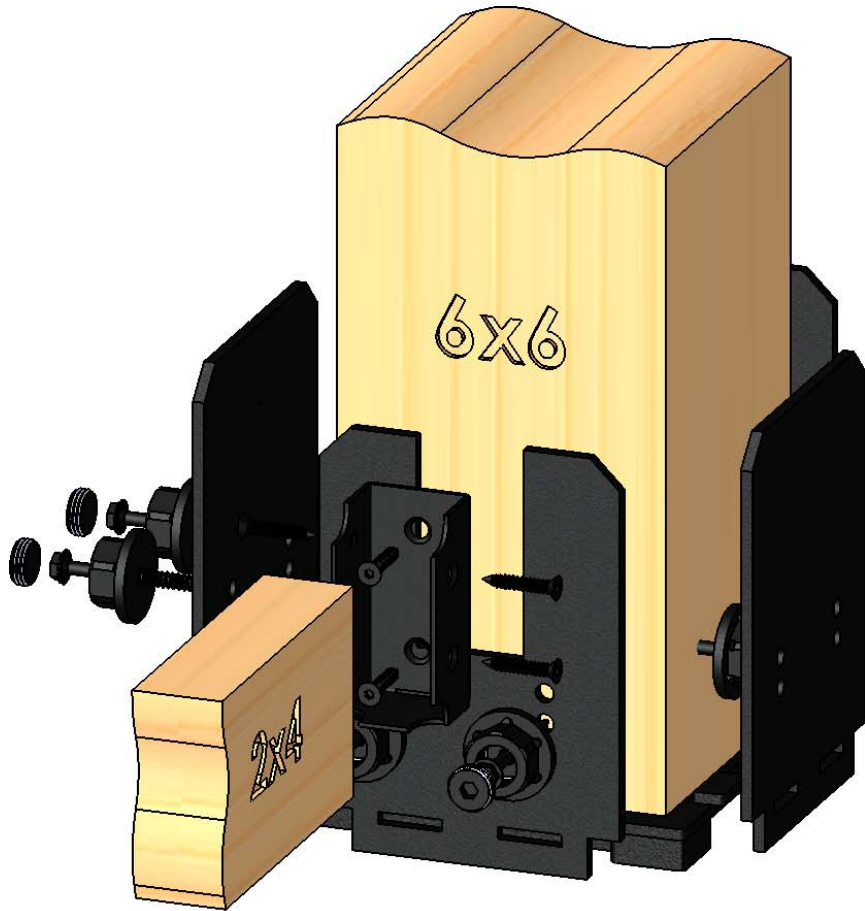


OZCO BUILDING PRODUCTS

# Product & Packaging Specs

## Typical Installation

Item #: 51771



Weight: 9.98 LBS  
Scale: 1:3  
Last updated: 2/15/2017

51771

V2.00 - Installation Instructions, Specifications and Project Plans are effective 2/15/2017. This information is updated periodically and should not be relied upon after 2 years from 2/15/2017. Please visit [OZCOBP.com](http://OZCOBP.com) to get current information.

# Product & Packaging Specs

## Bracket, 2x4 Top Rail Saddle

Item #: 56641-12



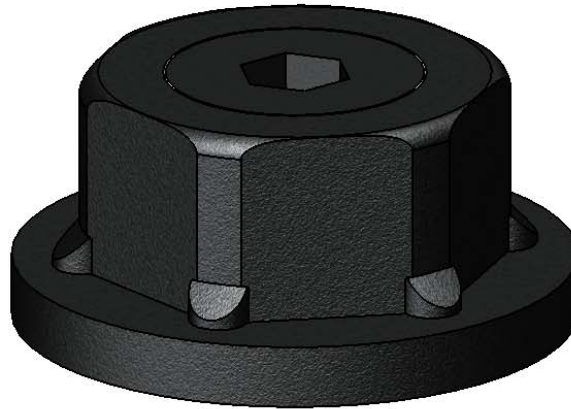
Weight: 0.37 LBS  
Scale: 1:1  
Last updated: 2/15/2017

for additional details, see drawing 56641-10

# Product & Packaging Specs

## 1 1/2" Hex Cap Nut (HCN)

Item #: 56621



Weight: 0.04 LBS  
Scale: 1:1  
Last updated: 2/15/2017

for additional details, see drawing 56621



# Product & Packaging Specs

## Screw, OWT 1-3/4" (45mm) Timber

Item #: 56625



Weight: 0.02 LBS  
Scale: 2:1  
Last updated: 2/15/2017

for additional details, see drawing OWT Timber Screws

51771

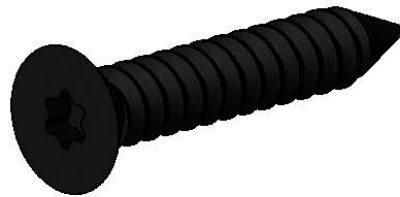
V2.00 - Installation Instructions, Specifications and Project Plans are effective 2/15/2017. This information is updated periodically and should not be relied upon after 2 years from 2/15/2017. Please visit [OZCOBP.com](http://OZCOBP.com) to get current information.



# Product & Packaging Specs

## #12 x 1-¼ Torx HD Sharp Point (T25)

Item #: 80016



Weight: 0.009 LBS  
Scale: 2:1  
Last updated: 2/15/2017

for additional details, see drawing 80016

51771

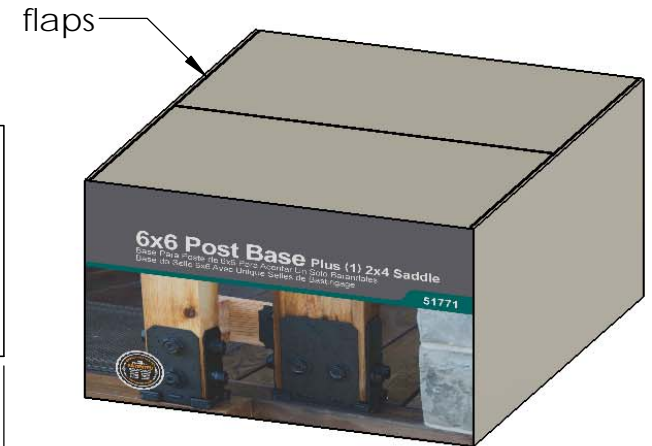
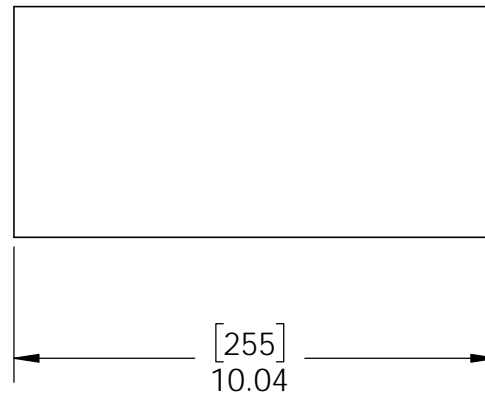
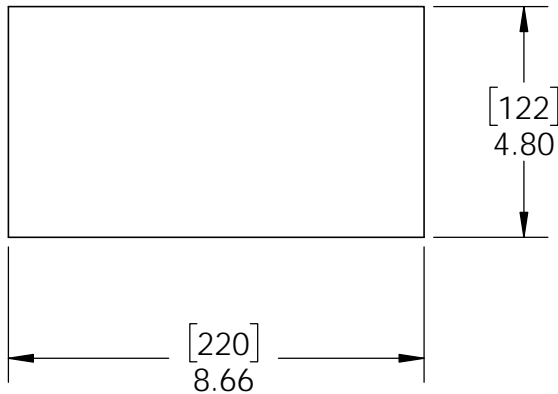
V2.00 - Installation Instructions, Specifications and Project Plans are effective 2/15/2017 . This information is updated periodically and should not be relied upon after 2 years from 2/15/2017 . Please visit [OZCOBP.com](http://OZCOBP.com) to get current information.



# Product & Packaging Specs

Box, 51771

Item #: Box



Material: Corrugated Paper  
 Finish: See Artwork  
 Weight: 70.55 LBS  
 Scale: 1:4  
 Last updated: 2/15/2017

51771



OZCO BUILDING PRODUCTS

# Product & Packaging Specs

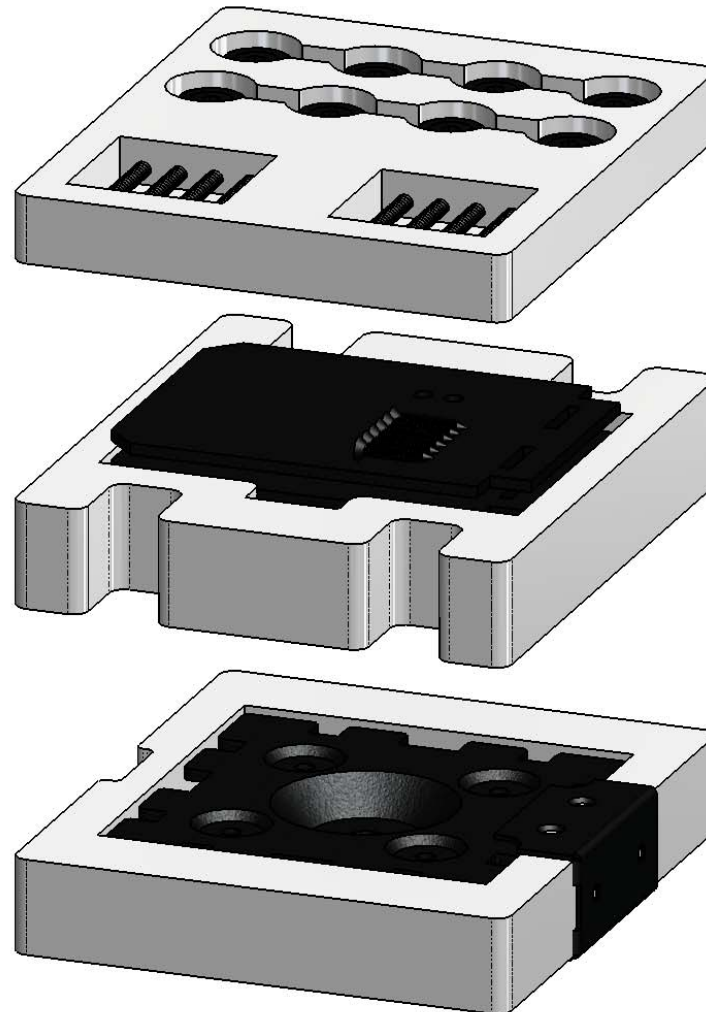
51771 Packing

Item #: Box packing

ITEM NO.	QTY.	PART NUMBER	DESCRIPTION
1	1	51771	6x6 Post Base with Rail Saddle (6X6-SRS-IW)
2	1	Box, 51771	Box, 51771

items not shown:

- installation instructions
- parts wrapped in packing foam sheet



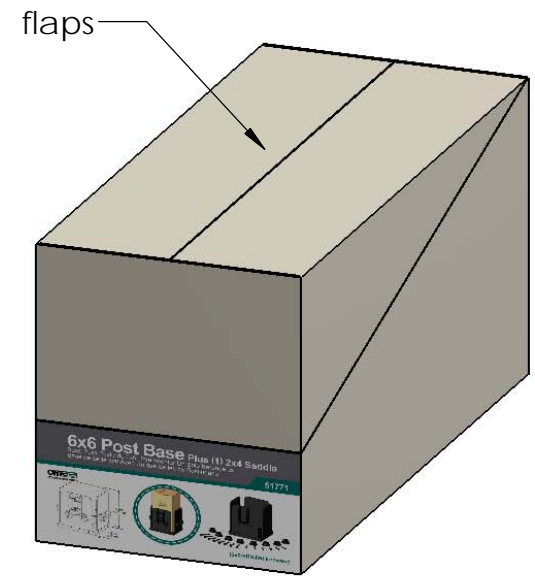
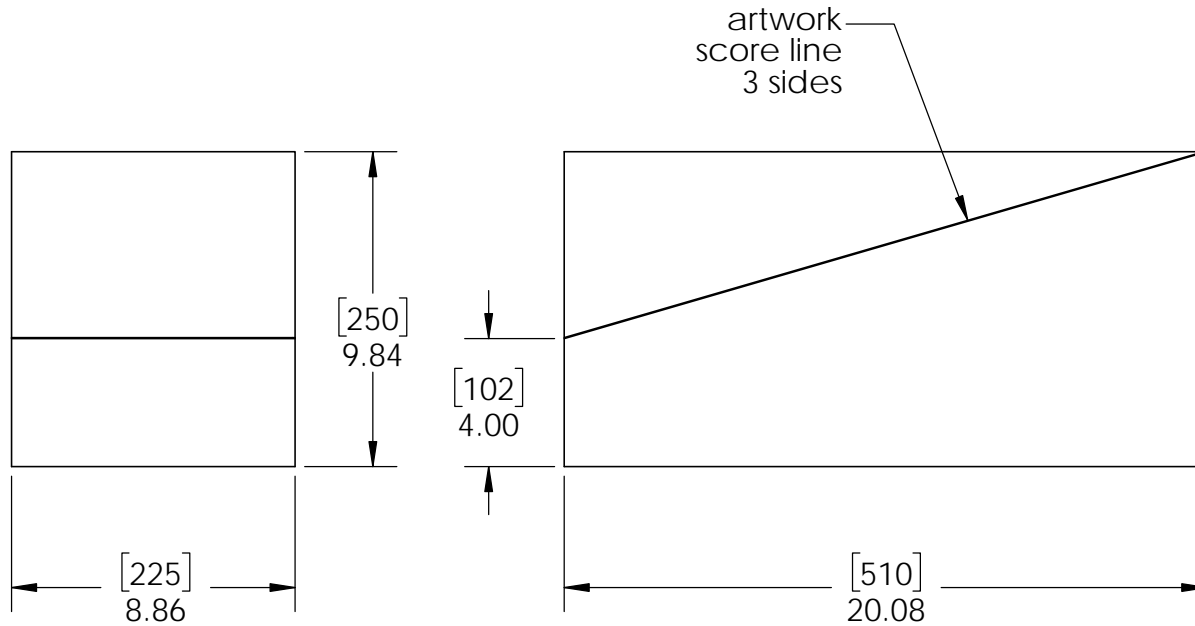
Weight: 11 LBS  
 Scale: 1:3  
 Last updated: 2/15/2017

51771

# Product & Packaging Specs

Case, 51771

Item #: Case



Weight: 185.48 LBS  
 Scale: 1:6  
 Last updated: 2/15/2017

51771

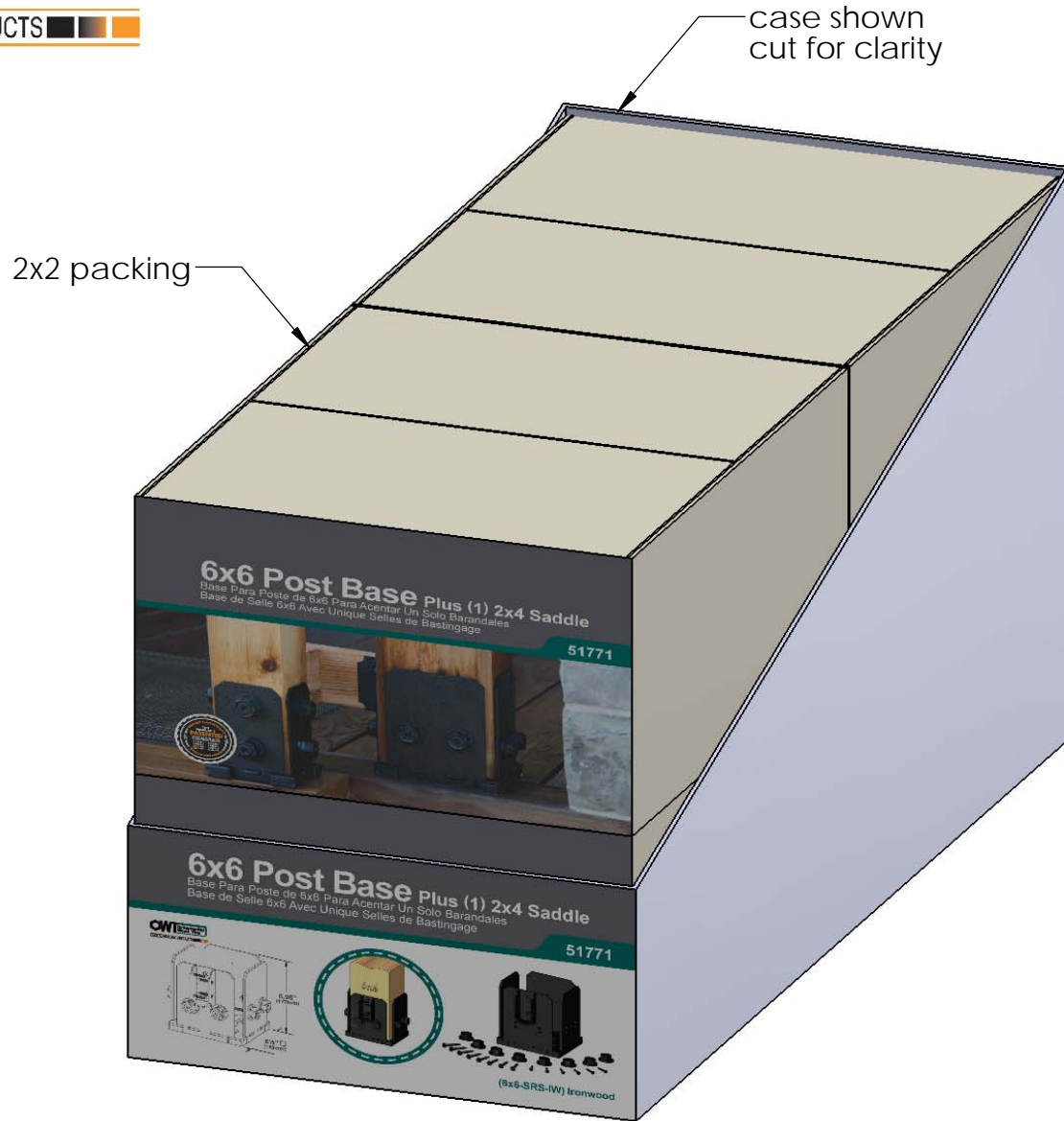


OZCO BUILDING PRODUCTS

# Product & Packaging Specs

51771 Packing

Item #: Case packing



Weight: 45 LBS  
Scale: 1:3  
Last updated: 2/15/2017

51771



OZCO BUILDING PRODUCTS

# Product & Packaging Specs

## 51771 Packing

Item #: Pallet packing

### 6x6-SRS-IW

6X6 POST BASE PLUS (2) 2X4 SADDLES

Item #:

# 51771

84 pcs

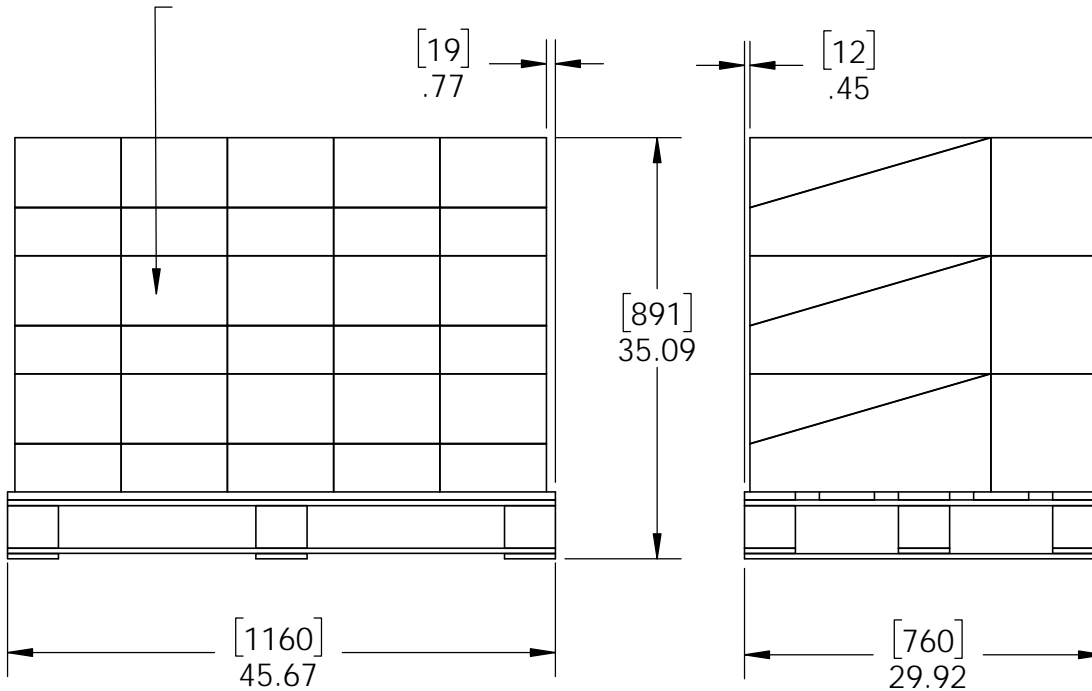


SKU#: 51971

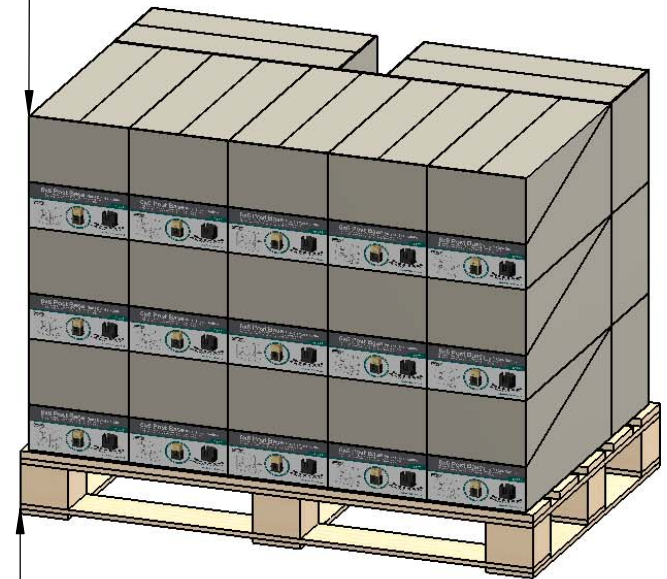
Weight: 976.64 lbs

LOT#

Priority#



Total number of cases: 21  
 Total number of pieces:  
 21x4=84 pieces on pallet



BB pallet



additional pallet packing instructions  
 plywood on top layer  
 strap to pallet  
 clear wrap around boxes

Weight: 977 LBS  
 Scale: 1:16  
 Last updated: 2/15/2017

51771