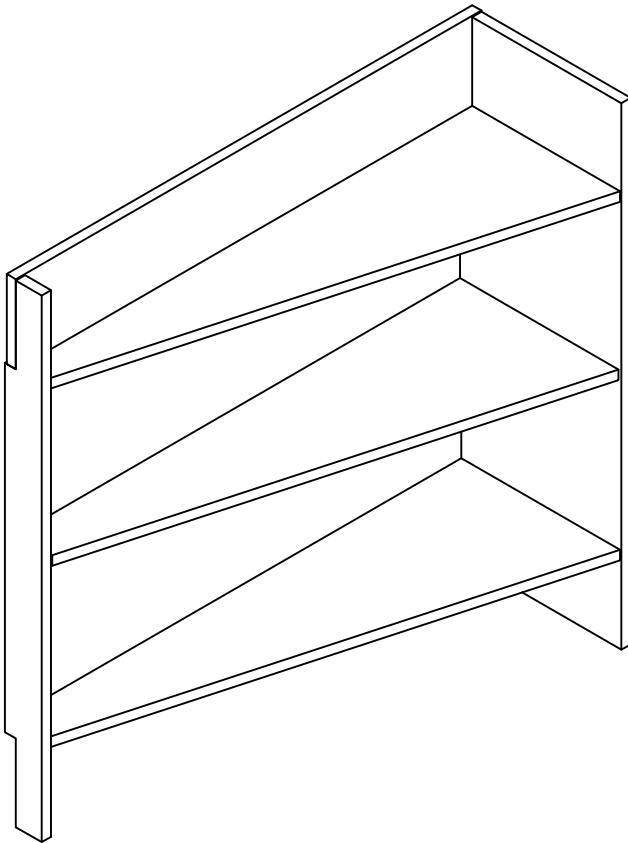


FOREMOST®

ASSEMBLY INSTRUCTIONS



model# HSL-03192-1

**HEIDI®JR.
SHELF**

PATENT NO:US 7,845,502B1

FOREMOST® Customer Service - 1.800.443.1410
8:30am - 5:30pm EST Monday - Friday
customerservice@foremostgroups.com
www.foremostgroups.com

table of contents

introduction.....	pg.2
hardware.....	pg.3
parts list.....	pg.4
assembly.....	pg.5-8

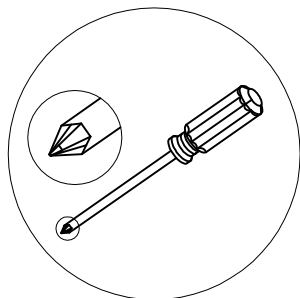
introduction

Congratulations on your purchase from FOREMOST®.

Before you begin, please check for missing parts. Please call FOREMOST® Customer Service 1.800.443.1410 for parts and service. Please reference item # noted on the cover page. Do not use this product if parts are damaged, missing or broken.

Use the outer carton as a work surface to prevent product damage during assembly.

TOOLS NEEDED



CLEANING & CARE

Dust using a lint free cloth.
Clean the surface using a damp cloth and mild dish washing liquid if necessary.
DO NOT use any cleaning product containing alcohol or ammonia.
We recommend that you test all cleaning solutions on the underside or any surface that would not be seen during normal use of the product.

safety

Adult assembly is required. Follow assembly instructions. This item is required to be anchored to the wall in multiple places upon finished assembly. Remember to tighten all hardware during assembly. Do not climb on finished product.



WARNING: HEIDI®JR. Shelf should never be placed behind any door or location that would obstruct an exit in case of fire or an emergency.



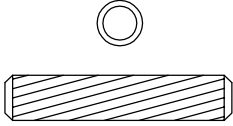
WARNING: keep plastic bags and small parts away from children



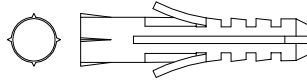
WARNING: Safely discard all packing material.

hardware

(H1) - Ø6 wood dowel
qty. 8 pcs



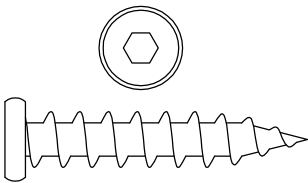
(H2) - plastic wall anchor
qty. 2 pcs



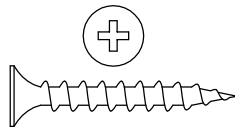
(H3) - allen wrench
qty. 1 pc



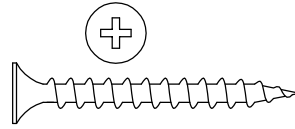
(H4) - machine screw
qty. 8 pcs



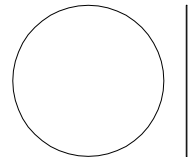
(H5) - wood screw
qty. 4 pcs



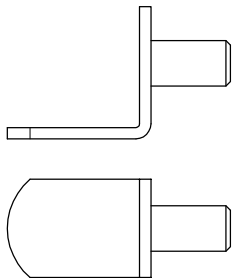
(H6) - wood screw
qty. 2 pcs



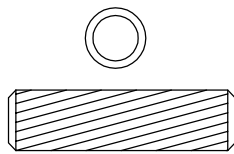
(H7) - round sticker
qty. 12 pcs



(H8) - shelf pin
qty. 3 pcs



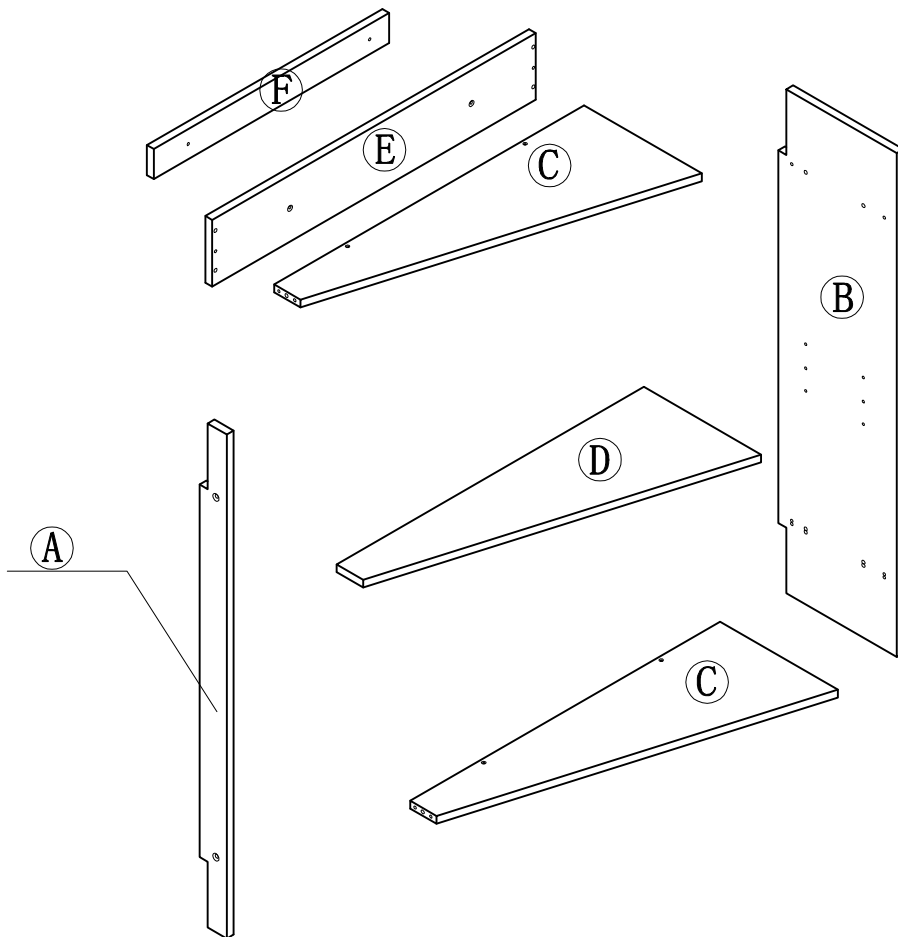
(H9) - Ø8 wood dowel
qty. 4 pcs



HEIDI® JR. SHELF

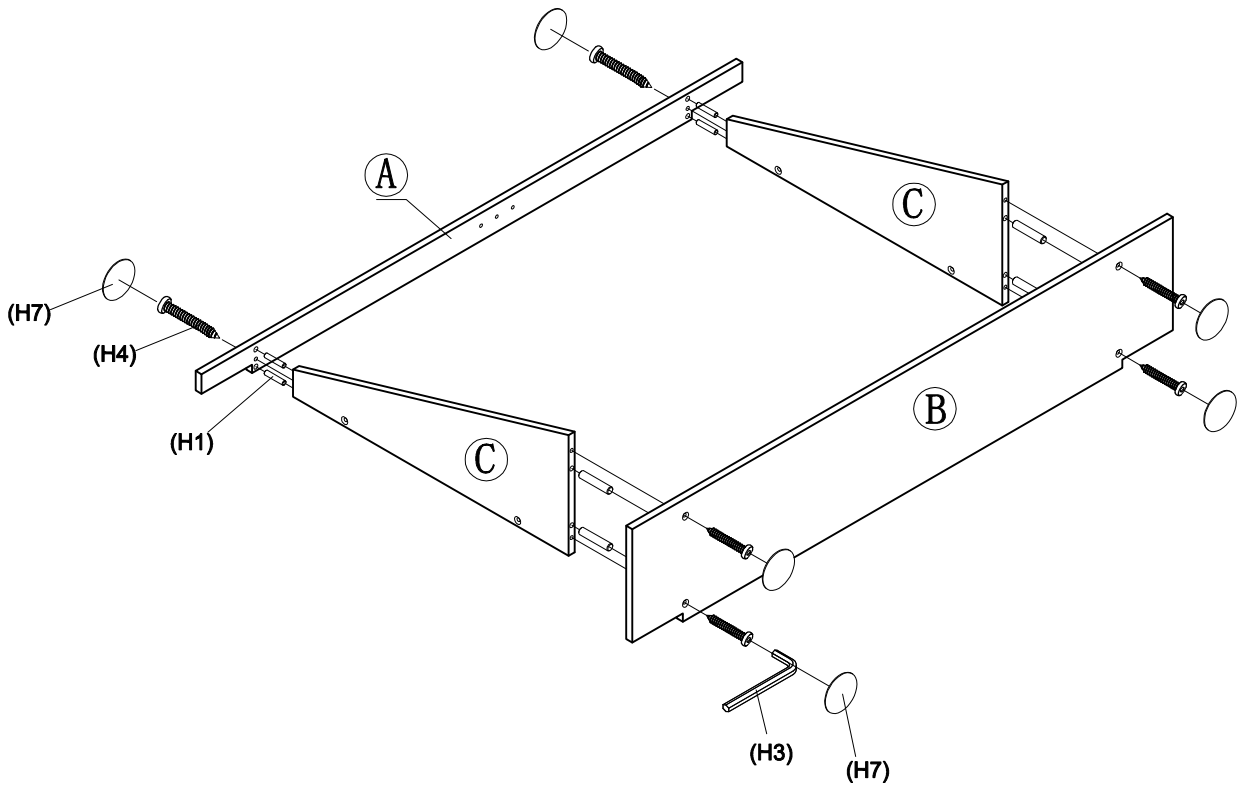
ITEM	DESCRIPTION	QUANTITY
A	narrow side panel	1
B	wide side panel	1
C	fixed shelf	2
D	adjustable shelf	1
E	top stretcher	1
F	spacer block	1

Note: the notched out edge is the back of the item. the notches on panels A and B should face the same direction. this notch is for tolerance of baseboard moulding. the spacer block is ONLY needed if you have shoe moulding with the baseboards.

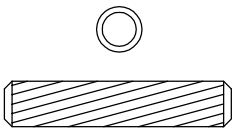


STEP 1.

attach side panels (A) and (B) to fixed shelves (C)
cover screw holes on panels (A&B) with round stickers (H7)



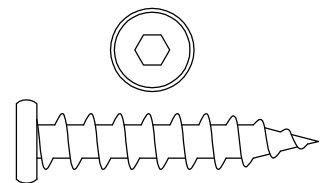
(H1) - Ø6 wood dowel
qty. 8 pcs



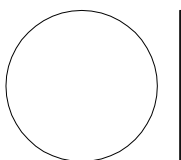
(H3) - allen wrench
qty. 1 pc



(H4) - machine screw
qty. 6 pcs

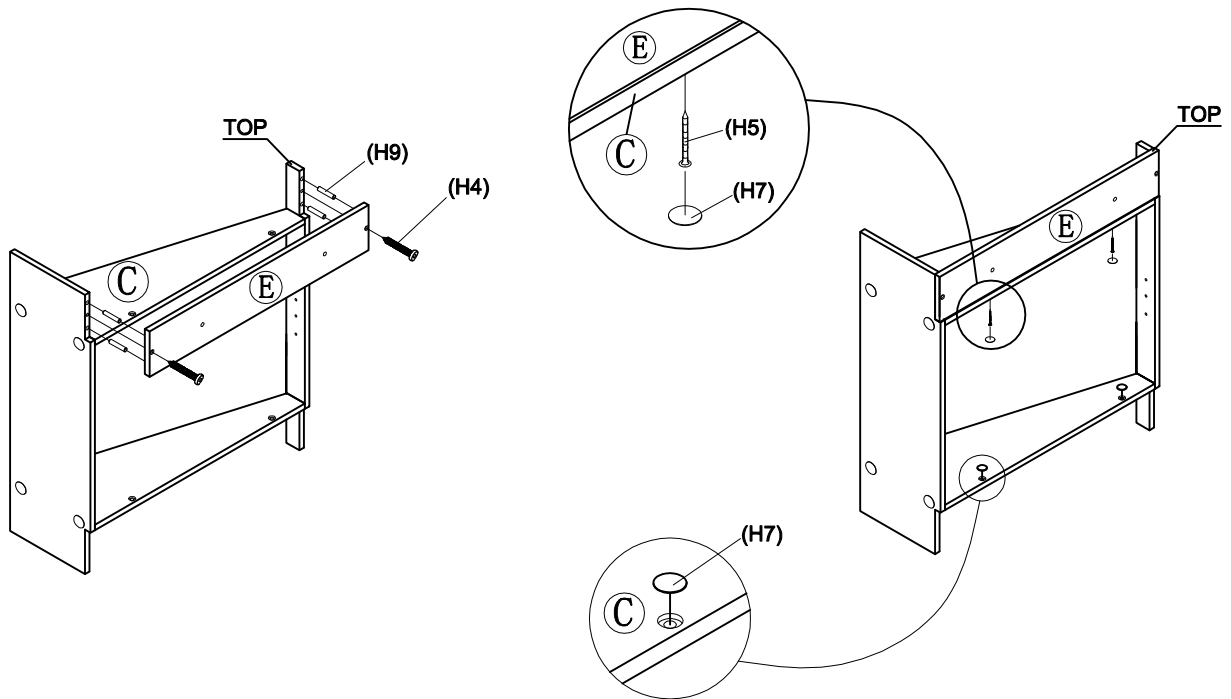
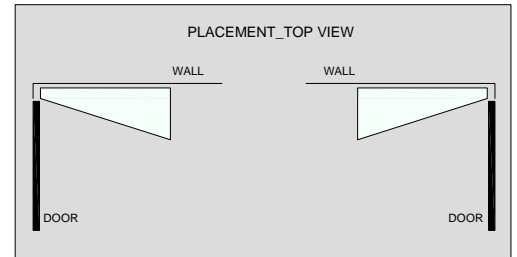


(H7) - round sticker
qty. 6 pcs

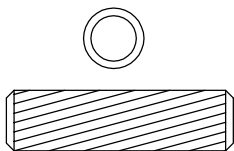


STEP 2.

determine placement of shelf against wall and door opening
 attach panel (E) to the top back notched out area of step 1
 screw panel (C) to panel (E) from the underside using wood screws
 cover screw holes on underside of panel (C) with round stickers (H7)
 cover screw holes on top of shelves (C) with round stickers (H7)



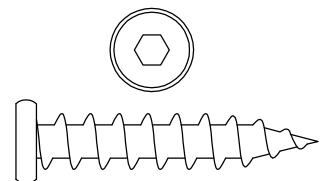
(H9) - Ø8 wood dowel
 qty. 4 pcs



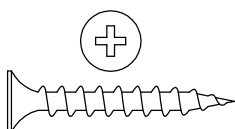
(H3) - allen wrench
 qty. 1 pc



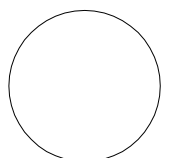
(H4) - machine screw
 qty. 2 pcs



(H5) - wood screw
 qty. 2 pcs



(H7) - round sticker
 qty. 4 pcs



STEP 3.

anchoring the shelf to the wall

Note: if you have shoe moulding with your baseboards you will need to include spacer blocks (F) behind panel (E), and use the longer wood screws (H6) for anchoring.

if you are not using the spacer blocks (F) use the shorter wood screws (H5) for anchoring to the wall.

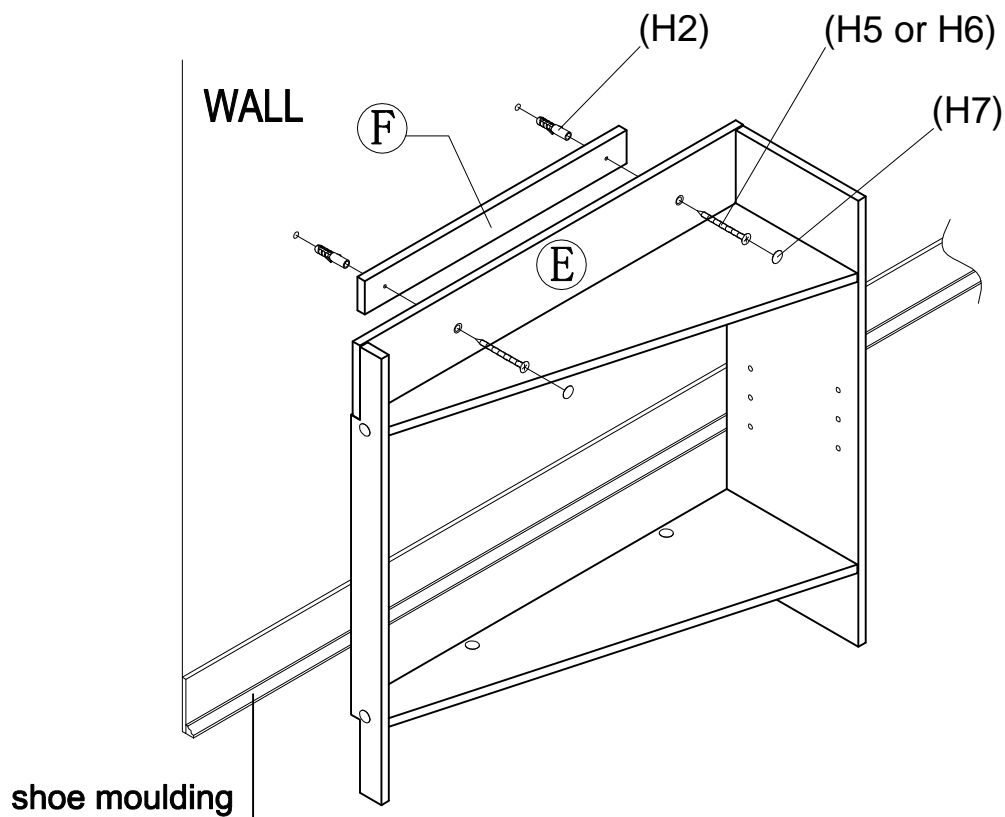
place the unit in the corner of the wall and door, make sure the unit is pushed against the corner.

using a pencil, mark the anchoring spots through the holes on panel (E)

move shelf away from wall and insert the plastic anchors in the wall at the pencil marks

replace the shelf to the corner and screw the shelf into the plastic anchors using the wood screws

cover the screws with the round stickers (H7)

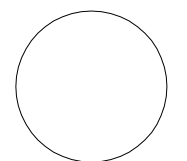
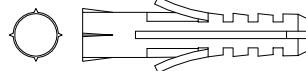
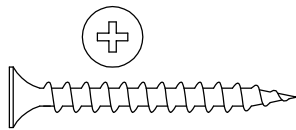
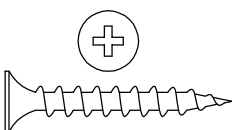


(H5) - wood screw
qty. 2 pcs

(H6) - wood screw
qty. 2 pcs

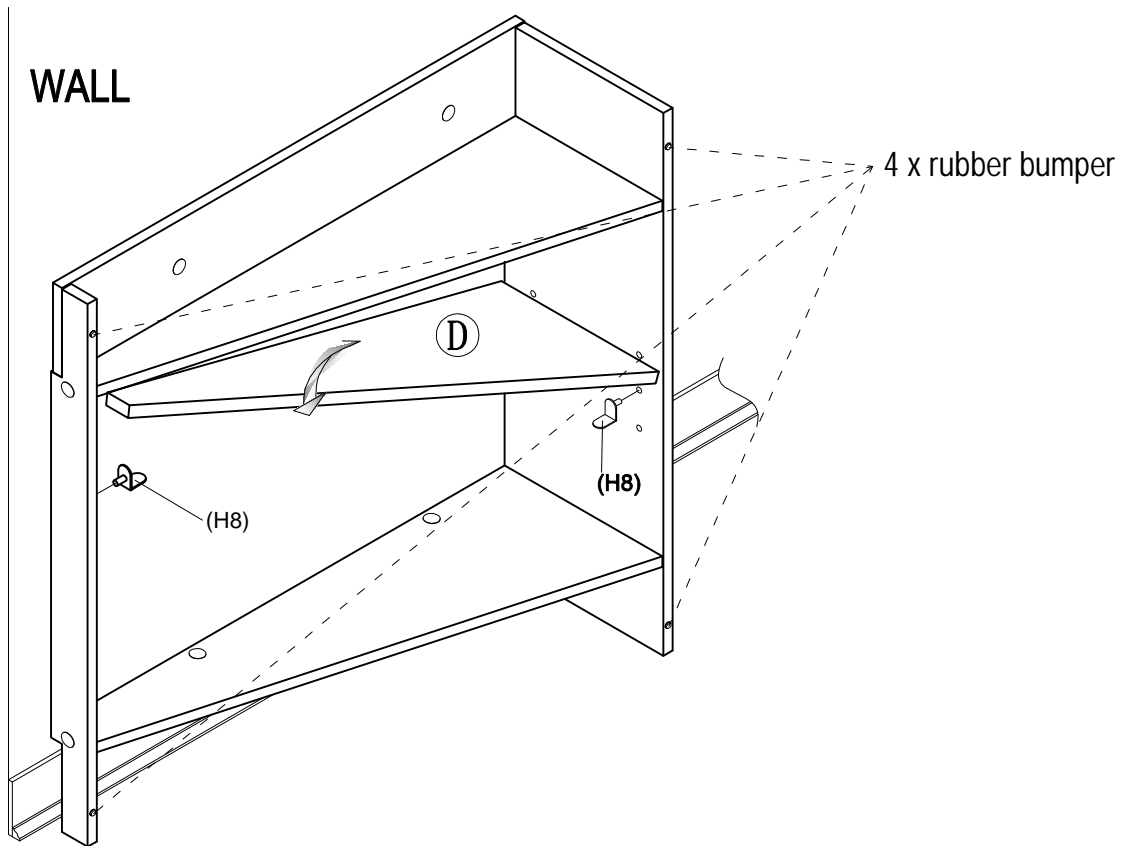
(H2) - plastic wall anchor
qty. 2 pcs

(H7) - round sticker
qty. 2 pcs



STEP 4.

placing the adjustable shelf (D) using the shelf pins (H8)



Note: place clear bumpers on edges of shelf to prevent door from damaging the shelf

(H8) - shelf pin
qty. 3 pcs

rubber bumper
qty. 4 pcs

