



ARIENS



IKON-X & XL / ZT-X & XL Powered Bagger

Operator's Manual
Manuel du Utilisateur

Models

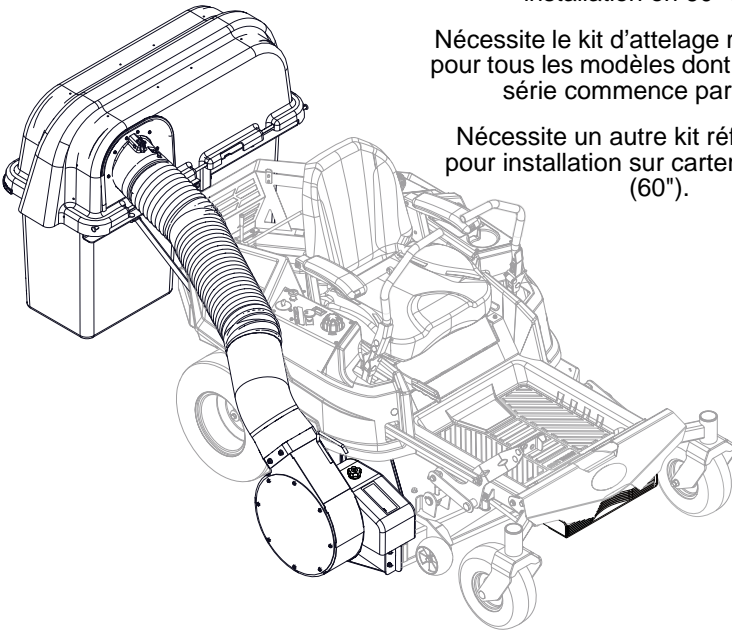
815043 – 42" / 52" / 60" Bagger
(SN 003000 +)

Requires hitch kit 71514900 for all
models serial number 30000+

Requires additional kit 71514500 for
installation on 60" decks

Nécessite le kit d'attelage réf. 71514900
pour tous les modèles dont le numéro de
série commence par 30000.

Nécessite un autre kit réf. 71514500
pour installation sur carter de 152 cm
(60").



EN ENGLISH

FR FRANÇAIS

05166400 • 8/17
Printed in USA

TABLE OF CONTENTS

WELCOME	1
SAFETY	2
Practices & Laws	2
Emission Control System	2
Required Operator Training	2
Safety Alert Symbol	2
Signal Words	2
Safety Decals	3
Safety Rules	5
ASSEMBLY	10
Removal	11
Installation	11
Install Grass Bag Assembly	14
Install Front Weights	16
REMOVAL	17
OPERATION	17
Before Each Use	17
Bagging	17
Airflow Indicator	17
Emptying Mesh Bags	18
Unclog Bagger	18
Operating Tips	18
MAINTENANCE	19
Maintenance Schedule	19
STORAGE	19
TROUBLESHOOTING	20
SPECIFICATIONS	20
WARRANTY	21

WELCOME

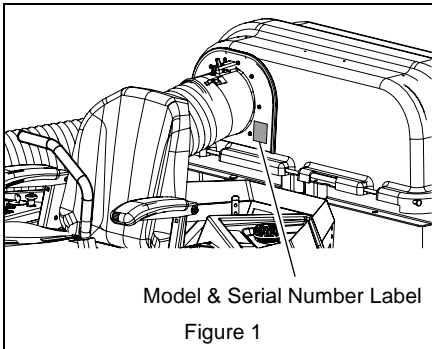
Congratulations on your purchase and welcome to the Ariens Company family! Every machine in our lineup is designed for long-lasting and unsurpassed performance. We are confident your machine will be part of your family for many years to come.

Have Questions or Need Assistance?
gravelmower.com • gravelly.custhelp.com
ariensstore.com • ariens.custhelp.com

A parts manual for your unit is available for free download or purchase at gravelly.com or ariens.com.
Manual del operador español está disponible para su descarga gratuita o compra en gravelly.com.

PRODUCT REGISTRATION

You or the dealer you purchased the unit from must register the product at the time of purchase. Know the model and serial numbers of your unit and register online at gravelly.com or ariens.com. Return the registration card to Ariens Company. See Figure 1 for label location.



Record model number here.

Record serial number here.

MANUALS

Before operating or servicing the unit, carefully and completely read the manuals provided with the unit. They contain safety instructions and important information about unit controls.

The engine on this unit is covered by a separate manual. Refer to the engine manual for engine service recommendations. Contact the engine manufacturer for a replacement manual if necessary.

Your dealer must review important information in this manual with you before or upon delivery of the unit. It is your responsibility to read and understand all safety precautions and instructions in the manuals. If you do not understand or have difficulty following the instructions, contact your Gravely or Ariens dealer for assistance. To locate your nearest dealer, go to gravelmower.com or ariensstore.com.

DISCLAIMER

Ariens Company reserves the right to discontinue, make changes to, and add improvements upon its products at any time without public notice or obligation. The descriptions and specifications contained in this manual were in effect at printing. Equipment described in this manual may be optional. Some illustrations may not be applicable to your unit.

SAFETY

Read these safety rules and follow them closely. Failure to follow these rules could lead to loss of control of unit, severe personal injury or death to you or bystanders, or result in damage to property or the machine.

PRACTICES & LAWS

Practice usual and customary safe working precautions. Learn applicable rules and laws in your area. Always follow the practices set forth in this manual.

EMISSION CONTROL SYSTEM

This equipment and/or its engine may include exhaust and evaporative emissions control system components required to meet U.S. Environmental Protection Agency (EPA) and/or California Air Resources Board (CARB) regulations. Tampering with emission controls and components by unauthorized personnel may result in severe fines or penalties. Emission controls and components can only be adjusted by an Ariens Company dealer or an authorized engine manufacturer's service center. Contact your Ariens Company Equipment Retailer concerning emission controls and component questions.

REQUIRED OPERATOR TRAINING



Read and understand the Operator's Manual and decals on the unit. This information is for your safety and the proper use of your equipment. Failure to follow these

instructions and warnings may cause death or serious injury. If you have purchased this product from a Gravely or Ariens dealer, the dealer can provide you with training.

Familiarize yourself and any other operators with all controls and the safe use of the features of this unit. If you loan, rent or sell this product to others, provide them with all manuals.

If you have any questions, please call our customer support line at 920-756-4688. Alternatively, contact us at www.gravely.com or www.ariens.com. Do not use this equipment if, after reading the Operator's Manual and the on-board decals, you have any questions about the safe use of this product.



WARNING: AVOID INJURY. This cutting machine is capable of amputating hands and feet and throwing objects. Failure to observe the safety instructions in the manuals and on decals could result in serious injury or death.

SAFETY ALERT SYMBOL



This is the safety alert symbol. It means:

- **ATTENTION!**
- **YOUR SAFETY IS INVOLVED!**

When you see this symbol:

- **BECOME ALERT!**
- **OBEY THE MESSAGE!**

SIGNAL WORDS

The safety alert symbol above and signal words below are used on decals and in this manual. Read and understand all safety messages.

1. Danger



DANGER: Indicates an **IMMINENTLY HAZARDOUS SITUATION!** If not avoided, **WILL RESULT** in death or serious injury.

2. Warning



WARNING: Indicates a **POTENTIALLY HAZARDOUS SITUATION!** If not avoided, **COULD RESULT** in death or serious injury.

3. Caution



CAUTION: Indicates a **POTENTIALLY HAZARDOUS SITUATION!** If not avoided, **MAY RESULT** in minor or moderate injury. It may also be used to alert against unsafe practices.

4. Notice

NOTICE: Indicates information or procedures that are considered important but not hazard related. If not avoided property damage could result.

5. Important

IMPORTANT: Indicates general reference information worthy of special attention.

SAFETY DECALS

The safety decals on your machine are visual reminders of the important safety information in this manual. All messages on your unit must be fully understood and carefully followed. Safety decals on the machine are explained below.

Safety Decal Locations

ALWAYS replace missing or damaged safety decals. Replacement decal part numbers are found in the parts manual for your machine and may be ordered from your dealer.

See Figure 2 for safety decal locations.

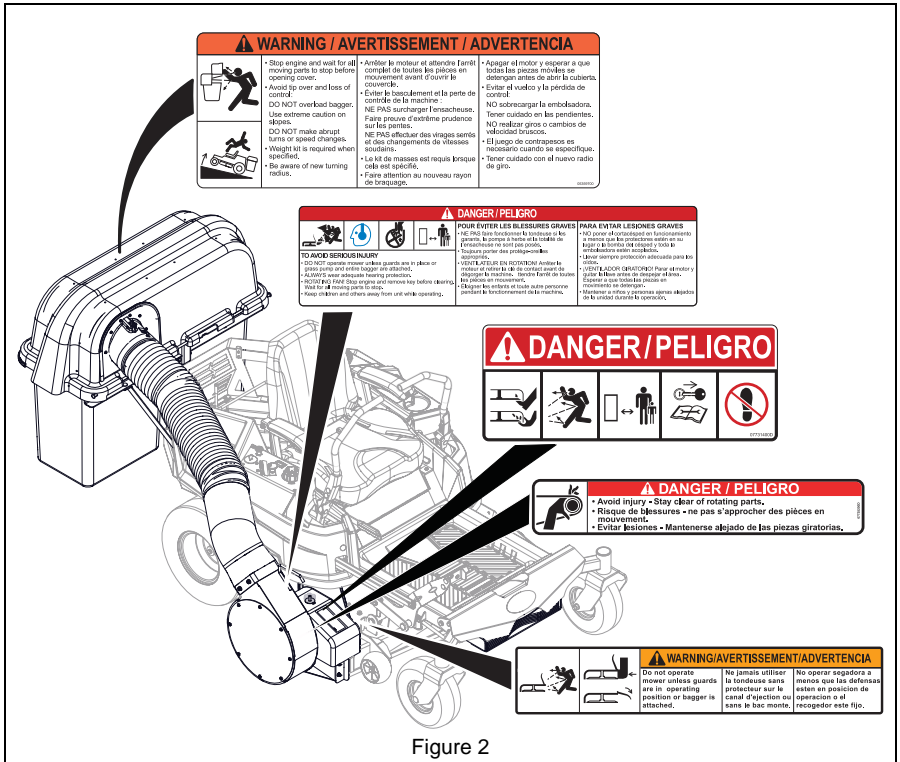


Figure 2

Safety Decal Descriptions

1. WARNING!



Stop engine and wait for all moving parts to stop before opening cover.



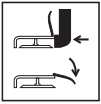
Avoid tip over and loss of control:
DO NOT overload bagger.
Use extreme caution on slopes.
DO NOT make abrupt turns or speed changes.

- Weight kit is required when using bagger.
- Be aware of new turning radius.

2. WARNING



Do not operate mower unless guards are in operating position or bagger is attached.



3. DANGER



Avoid injury. Stay clear of rotating parts.

4. CAUTION



Always keep feet and hands away from rotating parts.



Never direct discharge towards persons or property that may be injured or damaged by thrown objects.



Keep people away from unit while operating.



Shut off engine, remove key, and read manual before you adjust or repair unit.



NO STEP! Always keep feet away from rotating parts.

5. DANGER!



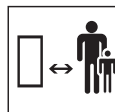
DO NOT operate mower unless guards are in place or blower assembly and entire bagger are attached.



ALWAYS wear adequate hearing protection.



ROTATING FAN! Stop engine and remove key before clearing.
Wait for all moving parts to stop.



Keep children and others away from unit while operating.

SAFETY RULES

The following safety instructions are based on the B71.1 specifications of the American National Standards Institute and ISO 5395 in effect at the time of production.

Training
Read, understand, and follow all instructions on the machine and in this manual before starting.
Be sure the area is clear of bystanders and pets before operating. Stop machine if anyone enters the area.
Improper use of power equipment can cause serious permanent injury or death to the operator or a bystander. Understand: <ul style="list-style-type: none">• How to operate all controls• The functions of all controls• How to STOP in an emergency• Braking and steering characteristics• Turning radius and clearances If the operator or the mechanic cannot read the manual, it is the owner's responsibility to explain it to them.
ALWAYS train any inexperienced operators and require them to read and understand all manuals and decals.
Only allow responsible adults, who are familiar with the instructions, to operate this machine.
Only the operator can prevent and is responsible for accidents or injuries occurring to themselves, other people or property.

Operator Age
DO NOT allow children under the age of 18 to operate any outdoor power equipment.
Local regulations may restrict the age of the operator.
Data indicates operators age 60 years and above are involved in a large percentage of riding mower-related injuries. These operators should evaluate their ability to operate the riding mower safely enough to protect themselves and others from serious injury.

Children
Tragic accidents can occur if the operator is not alert to the presence of children. Children are often attracted to the machine and the mowing activity. NEVER assume that children will remain where you last saw them.
Be alert and turn machine off if a child enters the area.
Before and while backing, look behind and down for small children.
NEVER carry children, even with the blade(s) shut off. They may fall off and be seriously injured or interfere with safe machine operation. Children who have been given rides in the past may suddenly appear in the mowing area for another ride and be run over or backed over by the machine.
NEVER allow children to operate the machine.
Use extreme care when approaching blind corners, shrubs, trees or other objects that may block your view of a child.
Keep children out of the mowing area and in the watchful care of a responsible adult other than the operator.

Personal Protection
DO NOT wear loose clothing or jewelry and tie back hair that may get caught in rotating parts.
Wear adequate outer garments.
NEVER wear open sandals or canvas shoes during operation. Wear adequate safety gear, protective gloves and footwear.
Wear proper footwear to improve footing on slippery surfaces.
ALWAYS wear eye and ear protection when operating machine.

Before Operating
Installing the blower assembly on your mower requires the removal of the discharge chute and belt guard. Retain discharge chute, discharge chute hardware, belt guard, and belt guard hardware in a safe location and reinstall whenever operating unit without the blower assembly. DO NOT operate mower unless guards are in place or blower assembly and entire bagger are attached.
NEVER operate bagger if the unit's safety interlock system is not working properly.
Ensure that tires are inflated to recommended pressure.

Always install counterweights before operating unit with bagger attached. Always remove counterweights when bagger is removed from the unit.
Under normal usage the bag material is subject to deterioration and wear. Check frequently for wear and damage and replace if necessary.
Keep all nuts and bolts tight to be sure the equipment is in safe working condition.
Maintain the machine to be in compliance with the maintenance schedule.
Clean grass and debris from unit, especially from around muffler and engine, to help prevent fires.
Check parking brake operation frequently. Adjust and service as required.
Inspect unit before each use for missing or damaged decals and shields, correctly operating safety interlock system, and deterioration of grass catchers. Replace or repair as needed.
Ensure Safety Interlock System is functioning properly. DO NOT operate unit if safety interlock is damaged or disabled.
Start and operate unit only when seated in operator's position. Steering control levers must be in neutral, PTO disengaged and parking brake set when starting engine.
NEVER interfere with the intended function of a safety device or reduce the protection provided by a safety device. Check their proper operation regularly.
Keep machine free of grass, leaves or other debris build-up. Clean up oil or fuel spillage and remove any fuel-soaked debris.

Operation
Always be aware of maximum sweep of bagger when turning. Always allow adequate clearance between bagger, personnel and other objects when turning.
Do not operate machine without the entire grass catcher, discharge guard, rear guard, or other safety protective devices in place and working.
As grass catcher fills, be alert to changing unit stability and control.
Be sure the area is clear of bystanders before operating. Stop machine if anyone enters the area.
ALWAYS maintain unit in safe operating condition. Damaged or worn out muffler can cause fire or explosion.

This product is equipped with an internal combustion type engine. DO NOT use unit on or near any unimproved, forest-covered or brush-covered land unless exhaust system is equipped with a spark arrester meeting applicable local, state or federal laws. A spark arrester, if it is used, must be maintained in effective working order by operator.
DO NOT operate machine while feeling tired, ill or under the influence of alcohol or other drugs.
DO NOT put hands or feet near rotating parts or under the machine. Keep clear of the discharge opening at all times.
DO NOT touch parts which are hot. Allow parts to cool.
DO NOT operate machine without the entire grass catcher, discharge guard or other safety devices in place and working.
ALWAYS keep hands and feet away from all pinch points.
Avoid slippery surfaces. ALWAYS be sure of your footing.
NEVER carry passengers.
NEVER direct discharged material toward anyone. Avoid discharging material against a wall or obstruction. Material may ricochet back toward the operator. Stop the blade(s) when crossing gravel surfaces.
NEVER engage PTO when attachment, including mower blades, is not in use. ALWAYS turn off power to attachment when not in active use such as traveling or crossing driveways.
ALWAYS disengage PTO, stop unit and engine, remove key, engage parking brake and allow moving parts to stop before leaving operator's position.
NEVER engage PTO while raising the attachment, including mower blades, or when attachment is in the raised position.
Keep safety devices or guards in place and functioning properly. NEVER modify or remove safety devices.
DO NOT mow in reverse unless absolutely necessary. ALWAYS look down and behind before and while backing.
Stop the engine (motor) and wait until the blade comes to a complete stop before cleaning the machine, removing grass catcher, or unlogging the discharge guard.
Slow down before turning.

If you strike a foreign object, stop and inspect the machine. Repair, if necessary, before restarting.
NEVER leave a running machine unattended. ALWAYS turn off blade(s), set parking brake, stop engine and remove key before dismounting.
Disengage blade(s) when not mowing. Shut off engine and wait for all parts to come to a complete stop before cleaning the machine, removing the grass catcher, or unclogging the discharge guard.
Know the weight of loads. Limit loads to those you can safely control and the unit can safely handle.

Operating Conditions
Lightning can cause severe injury or death. If lightning is seen or thunder is heard in the area, do not operate the machine; seek shelter.
ALWAYS check overhead and side clearances carefully before operation.
Watch for traffic when operating near or crossing roadways.
Clear the area of objects such as rocks, wire, toys, etc., which could be thrown by the blades.
Check for weak spots on docks, ramps or floors. Avoid uneven work areas and rough terrain. Stay alert for hidden hazards or traffic.
Use care when approaching blind corners, shrubs, trees or other objects that may obscure vision.
Dust, smoke, fog, etc. can reduce vision and cause an accident.
Operate machine only in daylight or good artificial light.

Slope Operation
Slopes are a major factor related to loss of control and tip-over accidents, which can result in severe injury or death. Operation on all slopes requires extra caution. If you cannot back up the slope or if you feel uneasy on it, DO NOT mow it.
DO NOT operate on slopes of more than 10°.
Mow up and down slopes, not across.
Watch for holes, ruts, bumps, rocks, or other hidden objects. Uneven terrain could overturn the machine. Tall grass can hide obstacles.

DO NOT mow on moist or wet grass. Tires may lose traction causing a loss of control.
Use extra care while operating machine with grass catchers or other attachments; they can affect the stability of the machine. DO NOT use on steep slopes.
Keep all movements on the slope <i>slow</i> and <i>gradual</i> . DO NOT make sudden changes in speed or direction, which could cause the machine to roll over.
Avoid starting, stopping, or turning on a slope. If the tires lose traction, disengage the blade(s) and proceed slowly straight down the slope.
Operation on slopes may lead to loss of steering control. When operating on slopes be prepared to react to an emergency situation: <ul style="list-style-type: none"> • Return steering levers to neutral position. • Immediately set parking brake. • Turn off PTO and engine.
DO NOT try to stabilize the machine by putting your foot on the ground.
DO NOT park on slopes unless necessary. When parking on slope ALWAYS chock or block wheels. ALWAYS set parking brake.
Choose a low ground speed so you will not have to stop or shift while on a slope.
DO NOT mow near drop-offs, ditches, or embankments. The machine could suddenly roll over if a wheel goes over the edge or if the edge caves in.
DO NOT bypass transmission or allow transmission to free-wheel when on a slope.

Fuel
To avoid personal injury or property damage, use extreme care in handling gasoline. Gasoline is extremely flammable and the vapors are explosive.
Ethanol blends must not exceed E10. Higher ethanol content may cause your machine to run hotter and damage your engine.
Replace fuel cap securely and clean up spilled fuel before starting engine.
Extinguish all cigarettes, cigars, pipes and other sources of ignition.
Use only an approved gasoline container.
NEVER store the machine or fuel container where there is an open flame, spark or pilot light such as on a water or space heater or other appliances.

NEVER fill containers inside a vehicle or on a truck or trailer bed with a plastic liner. ALWAYS place containers on the ground away from your vehicle before filling.
NEVER fuel the machine indoors.
NEVER remove gas cap or add fuel with the engine running. Allow engine to cool before fueling.
Fuel is highly flammable and its vapors are explosive. Handle with care. Use only an approved gasoline container with an appropriately-sized dispensing spout. NO smoking, NO sparks, NO flames.
Remove gas-powered equipment from the trailer and refuel it on the ground. If this is not possible, then refuel such equipment with a portable container, rather than from a gasoline dispenser nozzle.
Keep the nozzle in contact with the rim of the fuel tank or container opening at all times until the fueling is complete. DO NOT use a nozzle lock-open device.
NEVER overfill fuel tank. Replace gas cap and tighten securely.
If fuel is spilled on clothing, change clothing immediately.

Towing
Follow the manufacturer's recommendations for weight limits for towed equipment and towing on slopes.
NEVER allow children or others in or on towed equipment.
Tow only with a machine that has a hitch designed for towing. DO NOT attach towed equipment except at the hitch point.
On slopes, the weight of the towed equipment may cause loss of traction and loss of control.
Travel slowly and allow extra distance to stop.

Accessories
Follow the manufacturer's recommendation for wheel weights or counterweights
Check grass catcher components and the discharge guard frequently and replace with manufacturer's recommended parts, when necessary.
Use only Ariens Company-recommended attachments that are appropriate to your use and can be used safely in your application.

Batteries
Avoid electric shock. Objects contacting both battery terminals at the same time may result in injury and unit damage. DO NOT reverse battery connections.
Reverse connections may result in sparks which can cause serious injury. ALWAYS connect positive (+) lead of charger to positive (+) terminal, and negative (-) lead to negative (-) terminal.
ALWAYS disconnect negative (-) cable FIRST and positive (+) cable SECOND. ALWAYS connect positive (+) cable FIRST, and negative (-) cable SECOND.
Explosive gases from battery can cause death or serious injury. Poisonous battery fluid contains sulfuric acid and its contact with skin, eyes or clothing can cause severe chemical burns.
No flames, No sparks, No smoking near battery.
ALWAYS wear safety glasses and protective gear near battery. Use insulated tools.
ALWAYS keep batteries out of reach of children.
Battery posts, terminals and related accessories contain lead and lead compounds, chemicals known to the state of California to cause cancer and reproductive harm. Wash hands after handling.

Service
The use of non-genuine replacement parts or accessories could adversely affect machine operation and safety.
Do not change engine governor setting or overspeed the engine.
Any replacement bag should be checked to ensure compliance with the original manufacturer's recommendations or specifications.
Maintain or replace safety and instruction labels as necessary.
Keep unit free of debris. Clean up oil or fuel spills.
ALWAYS block wheels and know all jack stands are strong and secure and will hold weight of unit during maintenance.
Release any pneumatic or hydraulic pressure from components slowly.

NEVER attempt to make any adjustments to unit while engine is running (except where specifically recommended). Stop engine, remove key and spark plug wire and wait for all moving parts to stop before servicing or cleaning.

Lower cutting deck unless a positive mechanical lock is used.

Allow engine to cool before servicing.

Moving parts can cut or amputate fingers or a hand. On multiblade mowers, rotation of one blade will cause all blades to rotate.

NEVER weld or straighten mower blades.

NEVER make adjustments or repairs with the engine running.

Mower blades are sharp. Wrap the blade or wear gloves, and use extra caution when servicing them.

ALWAYS keep body and hands away from pin holes or nozzles which eject hydraulic fluid under pressure.

ASSEMBLY



WARNING: AVOID INJURY.
Read and understand the entire *Safety* section before proceeding.

Remove contents from carton carefully. Place bagger hood and frame parts on a flat piece of cardboard to avoid scratching.

Package Contents:

Check the contents of your kit for the parts listed below.

Item	Description	Qty	Part Number
1	1/4"-20 x 3/4" Round Head Square Neck Bolt	1	06219900
2	Belt Cover Bracket	1	04865451*
3	1/4"-20 Hex Top-Lock Flange Nut	1	06543500
4	3/8" x 1 1/2" Flat Steel Washer	3	06439300
5	Clamping Knob	3	07534800
6	Sheave Adapter	1	04774700*
7	Spindle Sheave	1	07344900*
8	11/32" x 1 1/8" Flat Washer	1	06446300*
9	5/16"-18 x 1" Grade 8 Micro Epoxy Patch Hex Bolt	1	05901603*
10	5/16"-18 x 1" Grade 8 Hex Bolt	1	05901311
11	5/16"-18 Hex Jam Nut	1	06536100
12	11/16" x 1 3/4" Flat Steel Washer	1	06442900
13	5/16"-18 Locking Top Flange Nut	4	06543100
14	5/16"-18 x 3/4" Round Head Square Neck Bolt	4	06215700
15	Hose Adapter	1	04714700
16	Blower Assembly	1	N/A
17	Belt – 52" Deck	1	07200042*
	Belt – 42" Deck	1	07210200*
18	Belt Cover	1	51586500*
19	Bagger Mount Post	1	04795751

Item	Description	Qty	Part Number
20	Studded Wing Knob	1	07500226
21	1/2"-13 x 2 3/4" Hex Bolt	1	05953500
22	1/2" x 1 1/4" Flat Steel Washer	1	06430200
23	1/2"-13 Locking Nylon Flange Nut	1	06500010
24	Hood Assembly Kit	1	51577800
25	3/8"-16 x 1" Round Head Square Neck Bolt	2	06212000
26	3/8"-16 Jam Nut	1	06535900
27	Support Strap	1	04862551
28	3/8"-16 Wing Knob	1	07500109
29	3/8"-16 Locking Top Flange Nut	3	06542000
30	Bag Frame	2	00663200
31	Mesh Bag	2	03862900
32	Weight Bracket	1	04850851
33	3/8"-16 x 3/4" Round Head Square Neck Bolt	2	06223900
34	Weight Plate	6	04850951
35	1/2"-13 Locking Top Flange Nut	2	06543600
36	1/2"-13 x 2 1/4" Hex Bolt	2	05961000
37	45" Hose *	1	04222900*
38	3/8" x 1/2" x 3" Vinyl Hose	2	00677000
39	1/2" x 1" Flat Steel Washer	1	06439200

* These items are not used when installing bagger on 60" decks. Use the parts included in kit 71514500 in their place.

REMOVAL



WARNING: Do not operate machine without the entire grass catcher, discharge guard, belt guard, or other safety protective devices in place and working.

1. Remove two 5/16" hex nuts retaining discharge chute and remove assembly. Retain for operation without bagger attached. See Figure 3.

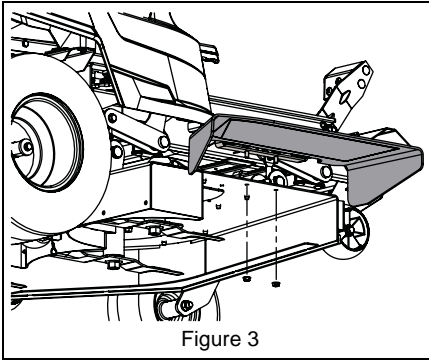


Figure 3

2. Remove three 1/4" tapping screws retaining belt cover and remove belt cover. Retain for operation without bagger attached. See Figure 4.

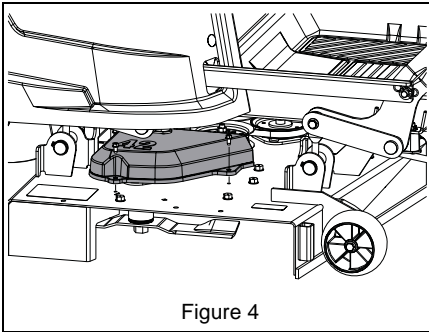


Figure 4

INSTALLATION

Install Drive Pulley – 42" & 52" Decks (60" decks follow instructions in kit 71514500)

See Figure 5.

1. Align bottom pins of sheave adapter (item 6) with holes in spindle pulley and position adapter on top of pulley.

2. Align holes in spindle sheave (item 7) with top pins in spindle adapter and position spindle sheave on top of adapter.
3. Secure adapter and sheave with one 11/32" flat washer (item 8) and one 5/16" x 1" grade 8 micro epoxy patch hex bolt (item 9).



CAUTION: Rotating one blade will cause all blades to rotate. Mower blades are sharp. Use heavy gloves or cover blades with tape.

4. Using a sturdy block of wood or other suitable device, block blades from turning and torque sheave bolt to 220 lb-in – 240 lb-in (25 N•m – 27 N•m).

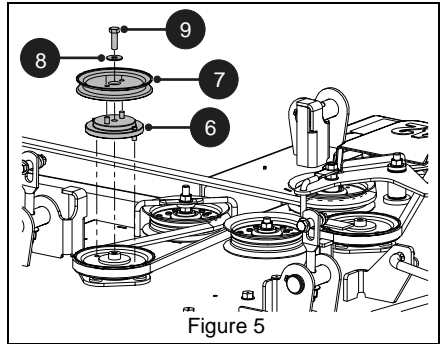


Figure 5

Install Belt Cover Support – 42" & 52" Decks (60" decks follow instructions in kit 71514500)

1. Locate 9/32" square hole near discharge opening and remove 5/16" self-tapping screw (if present). Attach belt cover support bracket (item 2) at angle shown using one 1/4" x 3/4" round head square neck bolt (item 1) and one 1/4" top lock flange hex nut (item 3). See Figure 6.

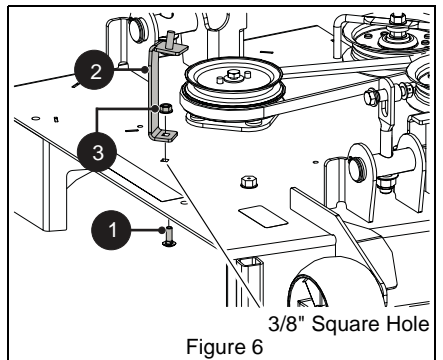


Figure 6

Install Rear Blower Mount

1. From under deck install one 5/16" x 1" hex bolt (item 10) and secure with one 5/16" hex jam nut (item 11). See Figure 7.

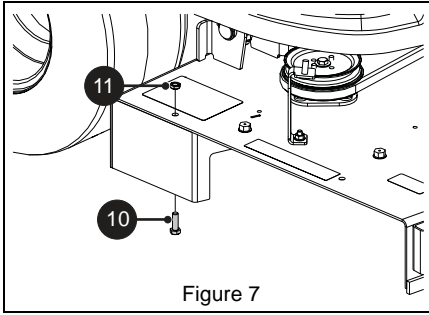


Figure 7

Install Hose Adapter (If Not Installed)

1. Install hose adapter (item 15) to blower assembly (item 16) using four 5/16" x 3/4" round head square neck bolts (item 14) and four 5/16" locking top flange nuts (item 13). See Figure 8.

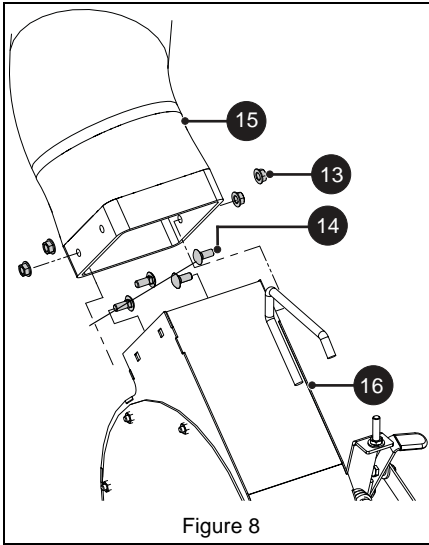


Figure 8

Install Blower Assembly

1. Grasp the blower assembly by the handle and insert the front pin into the square tube on the front corner of the deck. Rotate the blower assembly in until the hole in the bracket aligns with the rear mounting stud and lower the blower over the stud. See Figure 9 and Figure 10.

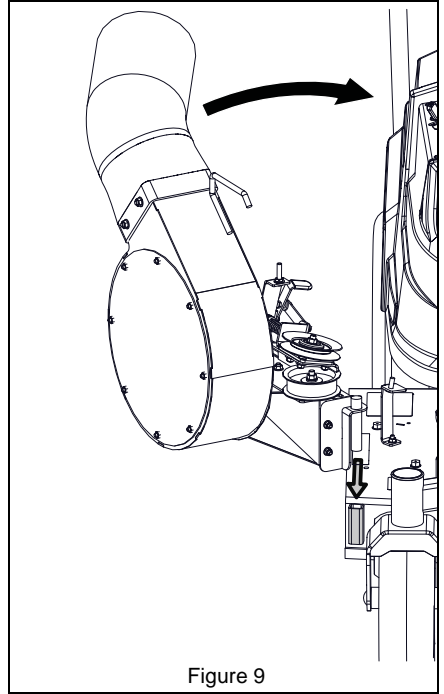


Figure 9

2. Secure the blower assembly to the deck with one 11/16" x 1 3/4" flat washer (item 12) and one clamping knob (item 5). See Figure 10.

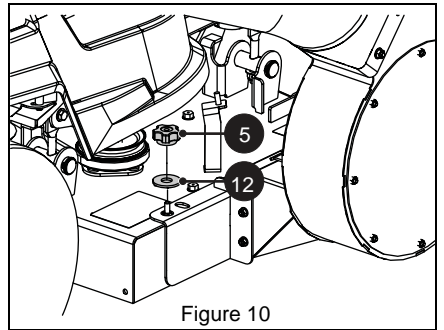
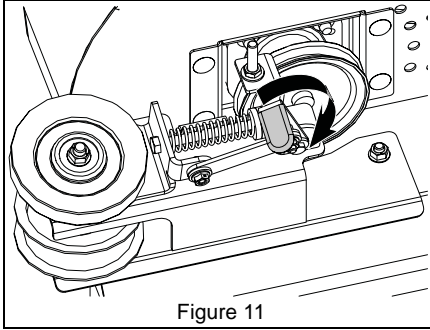


Figure 10

Install Drive Belt

1. Rotate the idler assembly lever to the rear and down until it locks in the down position and fully retracts the idler pulley. See Figure 11.

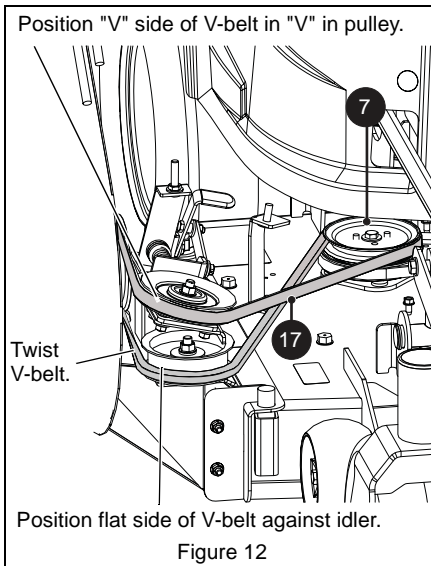


2. Determine the appropriate belt based on mower deck size. The part number is printed on the belt.

52" Decks	07200042
42" Decks	07210200
60" Decks	Use belt included in kit 71514500.

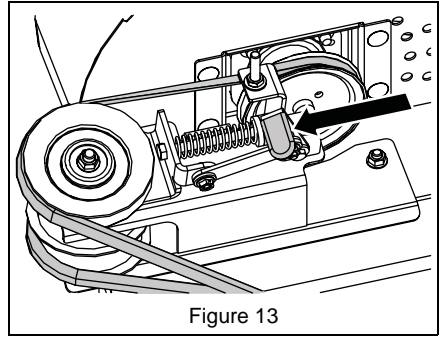
3. Route belt (item 17) over spindle sheave (item 7), idler pulleys and blower drive pulley. See Figure 12 for belt routing.

IMPORTANT : Ensure that belt is routed correctly or blower will not operate correctly.



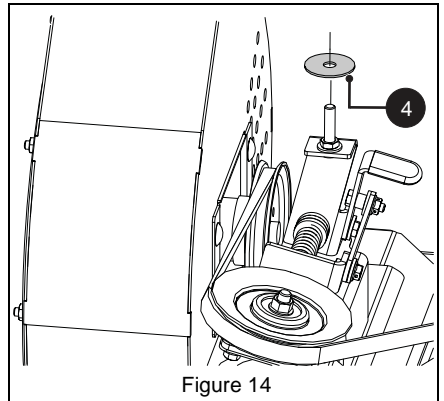
4. Rotate the idler assembly lever up and forward to place tension on the belt. See Figure 13.

IMPORTANT : There must be tension on the belt for the blower to operate.

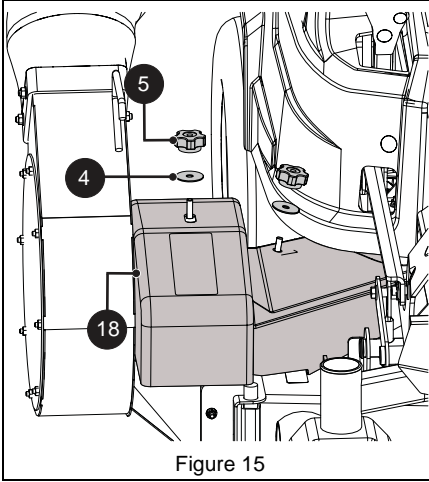


Install Belt Cover

1. Install one 3/8" x 1 1/2" flat washer (item 4) on belt cover bolt on blower assembly. See Figure 14.



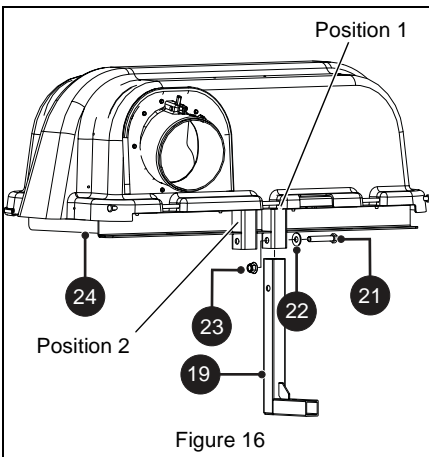
- Position belt cover (item 18) (60" decks use belt cover included in kit 71514500) over deck and idler assembly and secure with two $3/8" \times 1\ 1/2"$ flat washers (item 4) and two clamping knobs (item 5). See Figure 15.



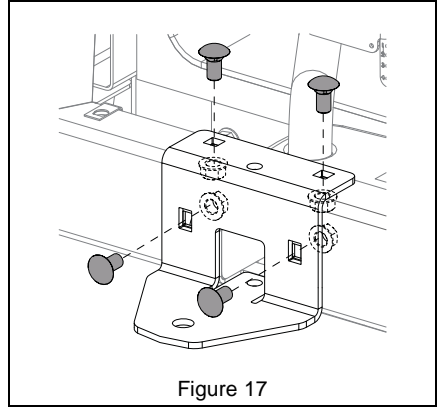
INSTALL GRASS BAG ASSEMBLY

Install Mount Post

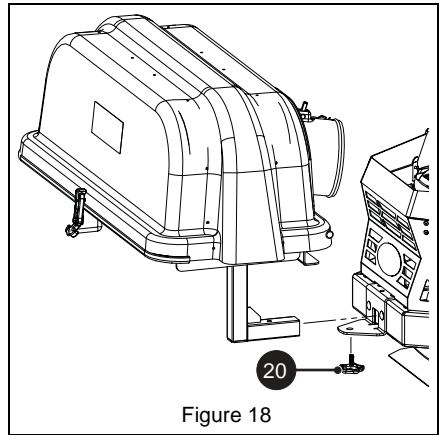
- Insert mount post (item 19) into hood assembly (item 24) pocket position 1 and secure with one $1/2" \times 2\ 3/4"$ hex bolt (item 21), one $1/2" \times 1\ 1/4"$ flat washer (item 22) and one $1/2"$ locking nylon flange nut (item 23). See Figure 16.



NOTICE : If mower does not have a trailer hitch, install hitch kit 71514900 before proceeding. See Figure 17.



- Insert mount post into pocket in rear bumper and secure with studded wing knob (item 20). See Figure 18.



Install Support Pin

1. Install 3/8" x 1" round head square neck bolt (item 25) through one 1/2" x 1" flat steel washer (item 39) and square hole in frame and secure with 3/8" jam nut (item 26). See Figure 19.

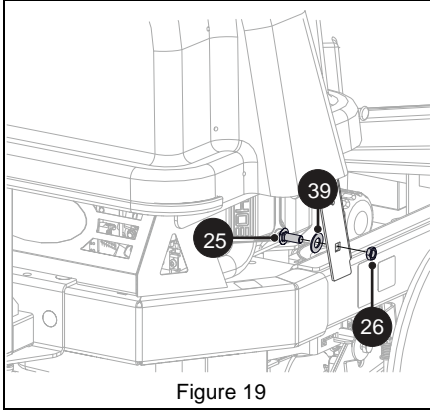


Figure 19

Install Support Strap

See Figure 20.

1. Mount upper support strap (item 27) to hood assembly using one 3/8" x 1" round head square neck bolt (item 25) and one 3/8" locking top flange nut (item 29).
2. Mount lower support strap to support pin using one 3/8" wing knob (item 28).

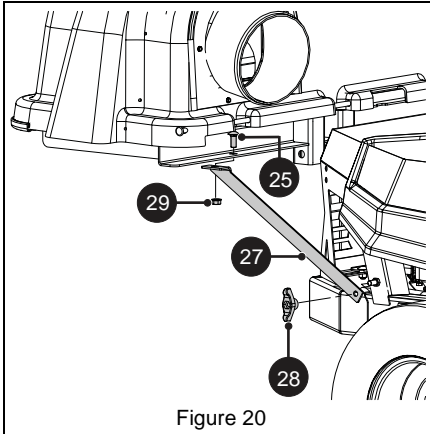


Figure 20

Install Bagger Hose

See Figure 21.

1. Install hose fully on blower hose adapter (60" decks use hose included in kit 71514500).
2. Open latch on inlet on hood assembly and install hose on inlet. Close latch, making sure that latch attaches to one rib of hose.

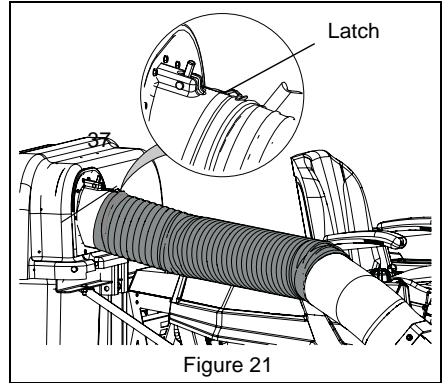


Figure 21

Assemble Mesh Bags

1. Install two mesh bags (item 31) onto two bag frames (item 30) by routing the bag frames in the open end of the mesh bags. See Figure 22.

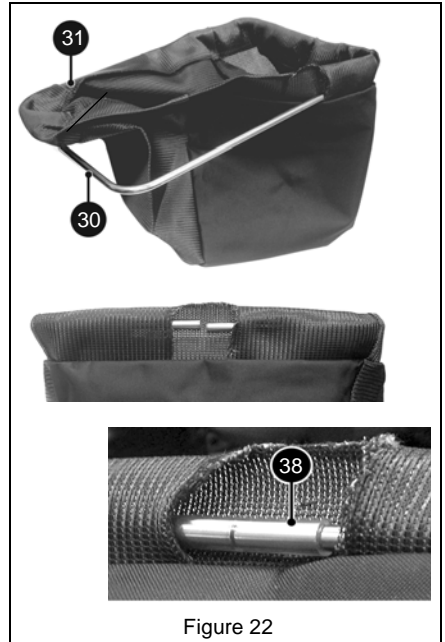
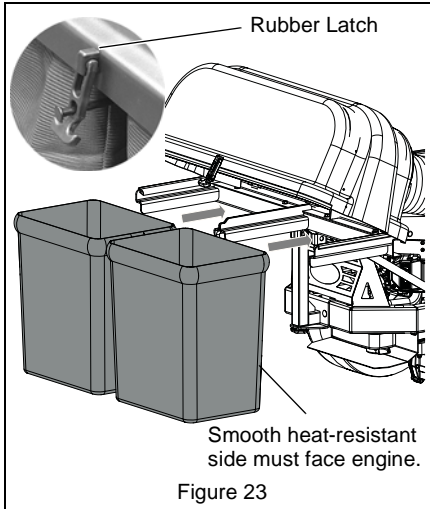


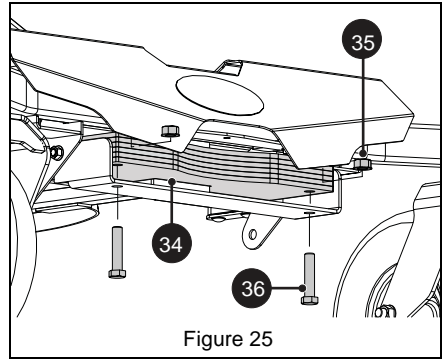
Figure 22

Install Mesh Bag Assemblies

1. Install mesh bag assemblies to hood assembly frame. The smooth heat-resistance surfaces of the mesh bags must face the engine. Close the hood and connect rubber latch. See Figure 23.



2. Insert six weight plates (item 34) into weight bracket and secure with two $1/2'' \times 2 1/4''$ hex bolts (item 36) and two $1/2''$ locking top flange nuts (item 35). See Figure 25.

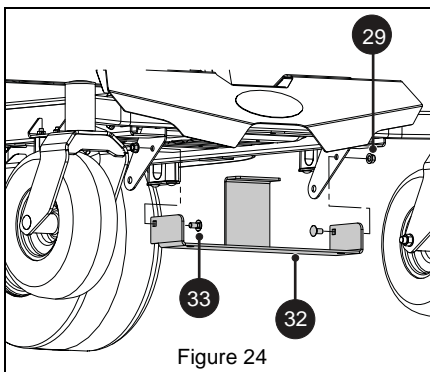


INSTALL FRONT WEIGHTS



CAUTION: Always install weights on front of mower before operating unit with bagger attached. Always remove weights from front of mower when bagger is removed from the unit.

1. Install weight bracket (item 32) onto frame using two $3/8'' \times 3/4''$ round head square neck bolts (item 33) and two $3/8''$ locking top flange nuts (item 29). See Figure 24.



REMOVAL



WARNING: AVOID INJURY.
Read and understand the entire *Safety* section before proceeding.

1. Release thumb latch retaining hose to hood assembly and remove hose from hood assembly and blower adapter. See Figure 21.
2. Remove mesh bags from hood assembly. See Figure 23.
3. Remove 3/8" wing knob retaining support strap and pull strap away from support pin. Do not remove support pin.
4. Remove wing knob from bottom of mount post and remove hood assembly from unit. See Figure 18.
5. Remove belt cover from mower deck and blower and idler assembly. See Figure 15.
6. Release tension from V-belt and remove V-belt from blower and deck spindle. See Figure 11.
7. Remove blower assembly. See Figures 10 and 9.
8. Install right belt cover on mower deck. It is not necessary to remove sheave adapter. See Figure 4.



CAUTION: Deflected material may cause injury. ALWAYS operate mower with hood assembly closed and secured, blower assembly fastened securely, or with chute deflector in operating position.



CAUTION: Always install front weights before operating unit with bagger attached. Always remove front weights when bagger is removed from the unit.

9. Remove weights and hardware and retain. It is not necessary to remove weight bracket. See Figure 25.
10. Ensure that mesh bags are empty, clean and dry before storing.

OPERATION



WARNING: AVOID INJURY.
Read and understand the entire *Safety* section before proceeding.

BEFORE EACH USE

1. Check bagger parts for wear, deterioration or damage. Only replace with original service parts before operating.
2. Make sure front weights are installed.
3. Ensure all hardware is tight.

IMPORTANT : Check hardware often. Tighten as needed.

4. Remove any grass buildup from bagger parts.
5. Ensure hose is installed securely on hood assembly and blower adapter.
6. Ensure mesh bags are installed and the hood assembly is closed and secure latched.

BAGGING

Starting

1. Start engine and engage PTO according to unit owner's manual.
2. Set throttle to full speed.
3. Set mower deck height.
4. Choose a slow ground speed.

Stopping

1. Allow the mower blades to run for at least 30 seconds to clear blower assembly and hose of debris.
2. Disengage PTO.
3. Stop unit according to unit Owner/Operator's manual.



WARNING: Lower attachment, stop engine, and remove key to prevent unauthorized use. DO NOT park on slopes.

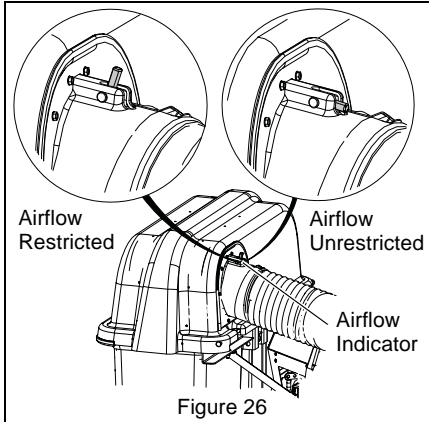
AIRFLOW INDICATOR

See Figure 26.

When the airflow indicator is pointed straight up, the air is restricted which indicates one or more possible problems:

- The mesh bags are full and need to be emptied. See *Emptying Mesh Bags* on page 18.
- There is a clog in the bagger. See *Unclog Bagger* on page 18.

When the airflow indicator is facing forward, the air is unrestricted indicating that the mesh bags are not full and there are no clogs in the bagger.



EMPTYING MESH BAGS

If bagger stops picking up grass clippings, the mesh bags are likely full.



WARNING: NEVER open hood assembly while the engine is running and the PTO is engaged. ALWAYS shut off engine before emptying mesh bags.

To empty mesh bags:

1. Disengage PTO, stop engine and remove ignition key. Wait for all moving parts to stop before leaving operator's position.
2. Disconnect rubber latch and open hood.
3. Remove each mesh bag from hood assembly.
4. Empty the grass from each mesh bag.



CAUTION: MAKE SURE the heat-resistant smooth surface of the mesh bags are facing the engine.

5. Install mesh bag on hood assembly with the heat-resistant smooth surface of the bags facing the engine.
6. Close and latch hood assembly.

UNCLOG BAGGER



WARNING: MOVING PARTS can cut or amputate body parts. NEVER attempt to clear blower assembly while engine is running. ALWAYS stop engine, remove key, and wait for moving parts to stop. Sharp edges can cut. Movement of parts can cut off fingers or a hand. Wrap blade(s), wear sturdy gloves and use extreme caution when working near blades or impeller.



WARNING: PINCH POINT! Use extreme caution when unclogging blower assembly. Impeller can cut or pinch your hand, even when not in operation. Wear sturdy gloves when working near impeller.

If hose or blower assembly becomes clogged, stop forward motion and allow unit to clear itself. If unit will not clear itself, unclog the hose and/or blower assembly manually:

1. Stop engine and remove ignition key. Wait for all moving parts to stop.
2. Open the latch retaining hose to bagger inlet and disconnect hose.
3. Remove hose from blower assembly.
4. Remove grass from clogged area.
5. Reinstall hose.

NOTICE: Perform steps 6 and 7 if clog is in blower assembly.



WARNING: Blades rotate when impeller rotates. Impeller rotates when blades rotate. Block blades to prevent rotation before proceeding.

6. Clear grass from blower assembly.
7. Reinstall hose and tighten hose clamp.

OPERATING TIPS

IMPORTANT : Do not remove more than 3.2 cm (1 1/4") of grass when bagging.

- Cut grass when it is dry.
- Cut grass in two passes when cutting thick, long, or wet grass. Make the first cut higher than desired. Make the second cut at desired height.

- Always use full throttle when bagging.
- Adjust ground speed as necessary to allow the bagger to pick up clippings.

MAINTENANCE

Your dealer will provide any service or adjustments which may be required to keep your unit operating at peak efficiency.



WARNING: AVOID INJURY.
Read and understand the entire *Safety* section before proceeding.

MAINTENANCE SCHEDULE

The chart below shows the recommended maintenance schedule that should be performed on a regular basis.

Interval	Task	Action
Each Use	Check Front Weight	Ensure the weight plates are installed and securely fastened.
	Check Hose	Ensure hose is securely fastened to blower adapter and hood assembly inlet.
	Check Mesh Bags	Ensure mesh bags are installed and hood assembly is closed and securely latched.
	Check Fasteners	Ensure all hardware is tight. Pay special attention to the guards and safety shields.
	Inspect Bagger Parts	Inspect bagger parts for holes, abrasions or structural damage. Replace any worn or damaged parts with Ariens / Gravely service parts.
	Clean Unit	Clear away debris under belt cover, in blower assembly, in hose and in hood assembly.
Every 10 hours	Check V-belt	Check V-belt for wear. Replace if worn or damaged

Replace V-Belt

1. Remove belt cover.
2. Release belt tensioner.
3. Remove belt from spindle pulley and blower assembly.
4. Install new V-belt. See *Install Drive Belt* on page 13.
5. Reinstall belt cover.

STORAGE



WARNING: AVOID INJURY.
Read and understand the entire *Safety* section before proceeding.

IMPORTANT : NEVER spray unit with high-pressure water. DO NOT store unit outdoors.

1. Clean plastic surfaces with sponge and mild detergent. Dry with a soft cloth.
2. Remove all debris from hopper before storing.
3. Remove all dirt, grease, leaves, etc. from unit.
4. Store in a clean, dry area.
5. Ensure all fasteners are properly tightened. Inspect moving parts and belts for damage and wear.
6. Touch up all rusted or chipped painted surfaces.

TROUBLESHOOTING

Problem	Probable Cause	Correction
Airflow indicator points straight up.	Air flow is restricted.	Mesh bags are full See <i>Emptying Mesh Bags</i> on page 18.
		Bagger is clogged See <i>Unclog Bagger</i> on page 18.
Bagger fails to pick up grass or leaves.	The mesh bags are full.	Empty mesh bags See <i>Emptying Mesh Bags</i> on page 18.
	Bagger is clogged.	Unclog bagger See <i>Unclog Bagger</i> on page 18.
	V-belt not routed properly.	Ensure V-belt is correctly installed. See <i>Install Drive Belt</i> on page 13.
Blower assembly stops or slows.	Blower assembly clogged.	Unclog bagger See <i>Unclog Bagger</i> on page 18.
	V-belt is worn or damaged.	Replace v-belt.

SPECIFICATIONS

Model Number	815043
Description	IKON-X & XL / ZT-X & XL Bagger
Added Length to Unit – cm (in)	49.5 (19.5)
Added Width to Mower Deck – cm (in)	29.2 (11.5)
Added Weight to Mower – kg (lb)	62.6 (138)
Capacity – bu (ft ³)	3.7 (4.6)



Consumer Mowing Equipment Limited Warranty

Ariens Company (Ariens) warrants to the **original purchaser** that Ariens, Gravely and Countax brand lawn and garden consumer products purchased on or after 9/1/2016 will be free from defects in material and workmanship for the time period noted in the chart below. Equipment put to personal use around a single household or residence is considered "Consumer Use"; equipment put to any business use (agricultural, commercial, or industrial) or used at multiple locations is considered "Commercial Use." If any product is rented or leased, then the duration of these warranties shall be 90 days after the date of purchase.

An authorized Ariens dealer (Ariens brand products), Gravely dealer (Gravely brand products), or Countax dealer (Countax brand products) will repair any defect in material or workmanship, and repair or replace any defective part, subject to the conditions, limitations and exclusions set forth herein. Such repair or replacement will be free of charge (labor and parts) to the original purchaser except as noted below.

Warranty Code	Product Group	Warranty Period Consumer Use	Warranty Period Commercial Use
HA	Zoom, ZT, IKON-X, IKON-XL, ZT-X, ZT-XL Zero-Turn Riders	3 Years	90 Days
HB	Apex, Max Zoom & ZT HD Zero-Turn Riders	3 Years	1 Year
HC	"936" Tractors, "961" Series Walk-Behind Mowers	2 Years	90 Days
HD	Classic LM Series Mowers; Wide Area Walk Mowers; Razor, XD3	3 Years	90 Days
N/A	Service (replacement) Parts	90 Days (no labor)	90 Days (no labor)
AA	Serialized Attachments	1 Year	1 Year

Special Extensions

The chart below details special extensions to this warranty:

Warranty Code	Warranty Exception	Warranty Period	Use	Detail
HA, HB	Mower Deck Shell on Zero-Turn Riders	5 Years	Consumer	3 years parts and labor Additional 2 years parts only
HA, HB	Main Frame on Zero-Turn Riders	5 Years	Consumer	3 years parts and labor Additional 2 years parts only

Exceptions and Limitations

The chart below details special exceptions to this warranty:

Warranty Code	Warranty Exception	Warranty Period	Use	Detail
All	Batteries	1 Year	Consumer	Prorated
All	Belts, Muffler, Tires	None	Commercial	These components are not covered when used commercially.
All	Cloth, Plastic, and Rubber Components (Including Belts and Cables)	Maximum 2 Years	All	Warranty is limited to 2 years for consumer use. Except as noted above, these components are covered for defect, not for wear.
All	Engines	See Engine Manufacturer's Warranty	All	Engines are covered by engine manufacturer's warranty. Refer to engine manufacturer's warranty statement.

Customer Responsibilities

Register the product immediately at the time of sale. If the dealer does not register the product, the customer must complete the product registration card in the literature package and return it to the Ariens Company, or register the unit online at www.ariens.com, www.gravely.com, www.countax.com.

To obtain warranty service, the **original purchaser** must:

- Perform the maintenance and adjustments explained in the owner's manual.

- Promptly notify Ariens or an authorized Ariens, Gravely or Countax service representative of the need for warranty service.
- Transport the product to and from the place of warranty service at owner's expense.
- Have the warranty service performed by an authorized Ariens, Gravely or Countax service representative.

To Find an Authorized Service Representative:

In the U.S. and Canada:		
Use the dealer locator on our websites: www.ariens.com • www.gravely.com		
Or contact us by mail or by phone:		
In the U.S., Canada, Mexico, Caribbean, Central and South America:	In Europe, Asia, Africa or the Middle East:	In Australia or New Zealand:
Ariens Company 655 W. Ryan Street Brillion, WI 54110 Phone: (920) 756 - 4688 www.ariens.com	Ariens Company Limited Great Haseley, Oxford OX44 7PF United Kingdom Phone: +44 800 597 7777 www.countax.co.uk	Allpower Industries Pty Ltd 128 Bridge Rd Keysborough VIC 3173 Australia Phone: +61 1800 333 428 www.allpower.com.au

Exclusions – Items Not Covered by This Warranty

- Parts that are not genuine Ariens, Gravely or Countax service parts are not covered by this warranty and may void the warranty.
- Damages resulting from the installation or use of any part, accessory, or attachment which is not approved by the Ariens Company for use with product(s) identified herein are not covered by this warranty.
- The following maintenance, service and replacement items are not covered by this warranty unless they are noted in the Limitations section above: lubricants, spark plugs, oil, oil filters, air filters, fuel filters, brake linings, brake arms, brake shoes, skid shoes, scraper blades, shear bolts, mower blades, mower vanes, brushes, headlights, light bulbs, knives, cutters.
- Any misuse, alteration, improper assembly, improper adjustment, neglect, or accident which requires repair is not covered by this warranty.
- **Use of gasoline blends exceeding 10% ethanol voids any and all warranties.**
- Products are designed to the specifications in the area that the product was originally distributed. Different areas may have significantly different legal and design requirements. This warranty is limited to the requirements in the area in which the unit was originally distributed. Ariens Company does not warrant this product to the requirements of any other area. Warranty service is limited to service within the area originally distributed.
- In countries other than the United States and Canada, contact the Ariens Company dealer for warranty policies that govern within your country. Rights may vary from country to country and within any one country.

Disclaimer

Ariens Company may from time to time change the design of its products. Nothing contained in this warranty shall be construed as obligating the Ariens Company to incorporate such design changes into previously manufactured products, nor shall such changes be construed as an admission that previous designs were defective.

LIMITATION OF REMEDY AND DAMAGES

Ariens Company's liability under this warranty, and under any implied warranty that may exist, is limited to repair of any defect in workmanship, and repair or replacement of any defective part. Ariens Company shall not be liable for incidental, special, or consequential damages (including lost profits). Some states do not allow the exclusion of incidental or consequential damages, so the above limitation or exclusion may not apply to you.

AUSTRALIAN CONSUMER LAW

The following applies solely to warranties subject to Subsection 102(1) of the Australian Consumer Law: Our goods come with guarantees that cannot be excluded by the Australian Consumer Law. You are entitled to a replacement or refund for a major failure and for compensation for any other reasonably foreseeable loss or damage. You are also entitled to have the goods repaired or replaced if the goods fail to be of acceptable quality and failure does not amount to a major failure.

DISCLAIMER OF FURTHER WARRANTY

Ariens Company makes no warranty, express or implied, other than what is expressly made in this warranty. If the law of your state provides that an implied warranty of merchantability, or an implied warranty of fitness for particular purpose, or any other implied warranty, applies to Ariens Company, then any such implied warranty is limited to the duration of this warranty. Some states do not allow limitations on how long an implied warranty lasts, so the above limitation may not apply to you.

This warranty gives you specific legal rights, and you may also have other rights which vary from region to region.



ARIENS



GRAVELLY

655 West Ryan Street
Brillion, WI 54110

ariensstore.com
ariens.custhelp.com
gravelymower.com
gravely.custhelp.com

An *Ariens* Company Brand

