

OPERATOR'S MANUAL

Self Propelled Mower

Front Wheel Drive
Model Series A & B



IMPORTANT: READ OPERATOR'S MANUAL AND ENGINE MANUAL THOROUGHLY AND FOLLOW THE IMPORTANT SAFE OPERATION PRACTICES BEFORE OPERATING .

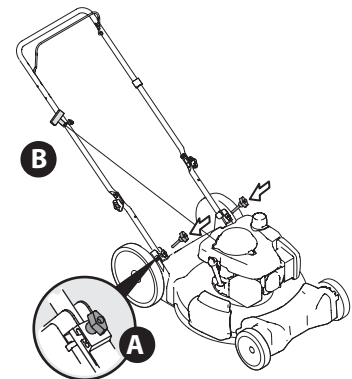
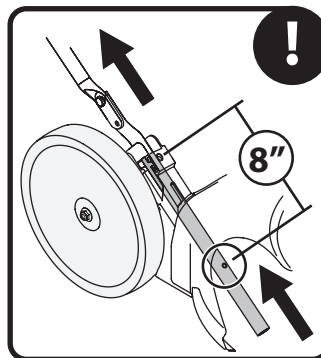
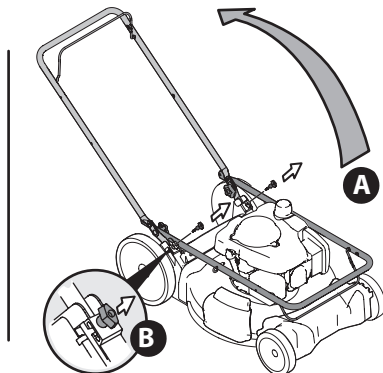


Table of Contents

<i>Safe Operation Practices</i>	2	<i>Troubleshooting</i>	14
<i>Assembly & Set-Up</i>	6	<i>Spanish</i>	17
<i>Controls & Operation</i>	9	<i>Parts/Warranty</i>	See Separate Supplement
<i>Service</i>	11		

⚠ WARNING! - SAVE THESE INSTRUCTIONS

READ AND FOLLOW ALL SAFETY RULES AND INSTRUCTIONS IN THIS MANUAL BEFORE ATTEMPTING TO OPERATE THIS MACHINE. FAILURE TO COMPLY WITH THESE INSTRUCTIONS MAY RESULT IN PERSONAL INJURY.

NOTE: This Operator's Manual covers several models. Features may vary by model. Not all features in this manual are applicable to all models and the model depicted may differ from yours.



Important Safe Operation Practices



WARNING! This symbol points out important safety instructions which, if not followed, could endanger the personal safety and/or property of yourself and others. Read and follow all instructions in this manual before attempting to operate this machine. Failure to comply with these instructions may result in personal injury. When you see this symbol.

HEED ITS WARNING!

CALIFORNIA PROPOSITION 65



WARNING! Engine Exhaust, some of its constituents, and certain vehicle components contain or emit chemicals known to State of California to cause cancer and birth defects or other reproductive harm. Battery posts, terminals, and related accessories contain lead and lead compounds, chemicals known to the State of California to cause cancer and reproductive harm. Wash hands after handling.



DANGER: This machine was built to be operated according to the safe operation practices in this manual. As with any type of power equipment, carelessness or error on the part of the operator can result in serious injury. This machine is capable of amputating fingers, hands, toes and feet and throwing foreign objects. Failure to observe the following safety instructions could result in serious injury or death.

General Operation

1. Read this operator's manual carefully in its entirety before attempting to assemble this machine. Read, understand, and follow all instructions on the machine and in the manual(s) before operation. Keep this manual in a safe place for future and regular reference.
2. Be completely familiar with the controls and the proper use of this machine before operating it.
3. This machine is a precision piece of power equipment, not a plaything. Therefore, exercise extreme caution at all times. This machine has been designed to perform one job: to mow grass. Do not use it for any other purpose.
4. Never allow children under 14 years of age to operate this machine. Children 14 and over should read and understand the instructions and safe operation practices in this manual and on the machine and should be trained and supervised by an adult.
5. Only responsible individuals who are familiar with these rules of safe operation should be allowed to use this machine.
6. Thoroughly inspect the area where the equipment is to be used. Remove all stones, sticks, wire, bones, toys and other foreign objects, which could be tripped over or picked up and thrown by the blade. Thrown objects can cause serious personal injury.
7. Plan your mowing pattern to avoid discharge of material toward roads, sidewalks, bystanders and the like. Also, avoid discharging material against a wall or obstruction, which may cause discharged material to ricochet back toward the operator.
8. To help avoid blade contact or a thrown object injury, stay in operator zone behind handles and keep children, bystanders, helpers and pets at least 75 feet from mower while it is in operation. Stop machine if anyone enters area.
9. Always wear safety glasses or safety goggles during operation and while performing an adjustment or repair to protect your eyes. Thrown objects which ricochet can cause serious injury to the eyes.
10. Wear sturdy, rough-soled work shoes and close-fitting slacks and shirts. Shirts and pants that cover the arms and legs and steel-toed shoes are recommended. Never operate this machine in bare feet, sandals, slippery or light-weight (e.g. canvas) shoes.
11. Do not put hands or feet near rotating parts or under the cutting deck. Contact with blade can amputate fingers, hands, toes and feet.
12. A missing or damaged discharge cover can cause blade contact or thrown object injuries.
13. Many injuries occur as a result of the mower being pulled over the foot during a fall caused by slipping or tripping. Do not hold on to the mower if you are falling; release the handle immediately.
14. Never pull the mower back toward you while you are walking. If you must back the mower away from a wall or obstruction first look down and behind to avoid tripping and then follow these steps:
 - a. Step back from mower to fully extend your arms.
 - b. Be sure you are well balanced with sure footing.
 - c. Pull the mower back slowly, no more than half way toward you.
 - d. Repeat these steps as needed.
15. Do not operate the mower while under the influence of alcohol or drugs.
16. Do not engage the self-propelled mechanism on machines so equipped while starting engine.
17. The blade control is a safety device. Never attempt to bypass its operation. Doing so makes the safety device inoperative and may result in personal injury through contact with the rotating blade. The blade control must operate easily in both directions and automatically return to the disengaged position when released.
18. Never operate the mower in wet grass. Always be sure of your footing. A slip and fall can cause serious personal injury. If you feel you are losing your footing, release the blade control handle immediately and the blade will stop rotating within three seconds.
19. Mow only in daylight or good artificial light. Walk, never run.
20. Stop the blade when crossing gravel drives, walks or roads.
21. If the equipment should start to vibrate abnormally, stop the engine and check immediately for the cause. Vibration is generally a warning of trouble.
22. Shut the engine off and wait until the blade comes to a complete stop before removing the grass catcher or unclogging the chute. The cutting blade continues to rotate for a few seconds after the blade control is released. Never place any part of the body in the blade area until you are sure the blade has stopped rotating.
23. Never operate mower without proper trail shield, discharge cover, grass catcher, blade control or other safety protective devices in place and working. Never operate mower with damaged safety devices. Failure to do so can result in personal injury.
24. Muffler and engine become hot and can cause a burn. Do not touch.
25. Never attempt to make a wheel or cutting height adjustment while the engine is running.
26. Only use parts and accessories made for this machine by the manufacturer. Failure to do so can result in personal injury.
27. When starting engine, pull cord slowly until resistance is felt, then pull rapidly. Rapid retraction of starter cord (kickback) will pull hand and arm toward engine faster than you can let go. Broken bones, fractures, bruises or sprains could result.
28. If situations occur which are not covered in this manual, use care and good judgement. Contact Customer Support for assistance or the name of the nearest service dealer.

Slope Operation

Slopes are a major factor related to slip and fall accidents, which can result in severe injury. Operation on slopes requires extra caution. The machine is heavy and can speed up when going downhill. Be prepared to maintain control of the machine. If you feel uneasy on a slope, do not mow it. For your safety, use the slope gauge included as part of this manual to measure slopes before operating this machine on a sloped or hilly area. If the slope is greater than 15 degrees, do not mow it.

Do:

1. Mow across the face of slopes; never up and down to avoid loss of control.
2. Exercise extreme caution when changing direction on slopes; turn uphill not down.
3. Watch for holes, ruts, rocks, hidden objects, or bumps which can cause you to slip or trip. Tall grass can hide obstacles.
4. Always be sure of your footing. A slip and fall can cause serious personal injury. If you feel you are losing your balance, release the blade control handle immediately and the blade will stop rotating within three (3) seconds.

Do Not:

1. Do not mow near drop-offs, ditches or embankments, you could lose your footing or balance.
2. Do not mow slopes greater than 15 degrees as shown on the slope gauge.
3. Do not mow on wet grass. Unstable footing could cause slipping.

Children

Tragic accidents can occur if the operator is not alert to the presence of children. Children are often attracted to the mower and the mowing activity. They do not understand the dangers. Never assume that children will remain where you last saw them.

1. Keep children out of the mowing area and under watchful care of a responsible adult other than the operator.
2. Be alert and turn mower off if a child enters the area.
3. Before and while moving backwards, look behind and down for small children.
4. Use extreme care when approaching blind corners, doorways, shrubs, trees, or other objects that may obscure your vision of a child who may run into the mower.
5. Keep children away from hot or running engines. They can suffer burns from a hot muffler.
6. Never allow children under 14 years of age to operate this machine. Children 14 and over should read and understand the instructions and safe operation practices in this manual and on the machine and be trained and supervised by an adult.
7. After stopping engine, remove Electric Start Push Key (if equipped) and keep it in a safe place out of the reach of children.

Service

Safe Handling Of Gasoline:

1. To avoid personal injury or property damage use extreme care in handling gasoline. Gasoline is extremely flammable and the vapors are explosive. Serious personal injury can occur when gasoline is spilled on yourself or your clothes, which can ignite. Wash your skin and change clothes immediately.
2. Use only an approved gasoline container.
3. Never fill containers inside a vehicle or on a truck or trailer bed with a plastic liner. Always place containers on the ground away from your vehicle before filling.
4. Remove gas-powered equipment from the truck or trailer and refuel it on the ground. If this is not possible, then refuel such equipment on a trailer with a portable container, rather than from a gasoline dispenser nozzle.
5. Keep the nozzle in contact with the rim of the fuel tank or container opening at all times until fueling is complete. Do not use a nozzle lock-open device.
6. Extinguish all cigarettes, cigars, pipes and other sources of ignition.
7. Never fuel machine indoors because flammable vapors will accumulate in the area.
8. Never remove gas cap or add fuel while engine is hot or running. Allow engine to cool at least two minutes before refueling.
9. Never over fill fuel tank. Fill tank to no more than 1 inch below bottom of filler neck to provide for fuel expansion.
10. Replace gasoline cap and tighten securely.
11. If gasoline is spilled, wipe it off the engine and equipment. Move machine to another area. Wait 5 minutes before starting engine.
12. Never store the machine or fuel container near an open flame, spark or pilot light as on a water heater, space heater, furnace, clothes dryer or other gas appliances.
13. To reduce fire hazard, keep machine free of grass, leaves, or other debris build-up. Clean up oil or fuel spillage and remove any fuel soaked debris.
14. Allow machine to cool at least 5 minutes before storing.

General Service:

1. Never run an engine indoors or in a poorly ventilated area. Engine exhaust contains carbon monoxide, an odorless and deadly gas.
2. Before cleaning, repairing, or inspecting, make certain the blade and all moving parts have stopped. Disconnect the spark plug wire and ground against the engine and remove Electric Start Push Key (if equipped) to prevent unintended starting.

3. Check the blade and engine mounting bolts at frequent intervals for proper tightness. Also, visually inspect blade for damage (e.g., bent, cracked, worn). Replace blade with the original equipment manufacturer's (O.E.M.) blade only, listed in this manual. "Use of parts which do not meet the original equipment specifications may lead to improper performance and compromise safety!"
4. Mower blades are sharp and can cut. Wrap the blade or wear gloves, and use extra caution when servicing them.
5. Keep all nuts, bolts, and screws tight to be sure the equipment is in safe working condition.
6. Never tamper with safety devices. Check their proper operation regularly.
7. After striking a foreign object, stop the engine, disconnect the spark plug wire and ground against the engine. Thoroughly inspect the mower for any damage. Repair the damage before starting and operating the mower.
8. Never attempt to make a wheel or cutting height adjustment while the engine is running.
9. Grass catcher components, discharge cover, and trail shield are subject to wear and damage which could expose moving parts or allow objects to be thrown. For safety protection, frequently check components and replace immediately with original equipment manufacturer's (O.E.M.) parts only, listed in this manual. "Use of parts which do not meet the original equipment specifications may lead to improper performance and compromise safety!"
10. Do not change the engine's governor setting or over-speed the engine. The governor controls the maximum safe operating speed of the engine.
11. Check fuel line, tank, cap, and fittings frequently for cracks or leaks. Replace if necessary.
12. Do not crank engine with spark plug removed.
13. Maintain or replace safety and instruction labels, as necessary.
14. Observe proper disposal laws and regulations. Improper disposal of fluids and materials can harm the environment.
15. According to the Consumer Products Safety Commission (CPSC) and the U.S. Environmental Protection Agency (EPA), this product has an Average Useful Life of seven (7) years, or 140 hours of operation. At the end of the Average Useful Life have the machine inspected annually by an authorized service dealer to ensure that all mechanical and safety systems are working properly and not worn excessively. Failure to do so can result in accidents, injuries or death.

Do not modify engine

To avoid serious injury or death, do not modify engine in any way. Tampering with the governor setting can lead to a runaway engine and cause it to operate at unsafe speeds. Never tamper with factory setting of engine governor.

Notice Regarding Emissions

Engines which are certified to comply with California and federal EPA emission regulations for SORE (Small Off Road Equipment) are certified to operate on regular unleaded gasoline, and may include the following emission control systems: Engine Modification (EM), Oxidizing Catalyst (OC), Secondary Air Injection (SAI) and Three Way Catalyst (TWC) if so equipped.

Spark Arrestor



WARNING: This machine is equipped with an internal combustion engine and should not be used on or near any unimproved forest-covered,

brush covered or grass-covered land unless the engine's exhaust system is equipped with a spark arrestor meeting applicable local or state laws (if any).

If a spark arrestor is used, it should be maintained in effective working order by the operator. In the State of California the above is required by law (Section 4442 of the California Public Resources Code). Other states may have similar laws. Federal laws apply on federal lands.

A spark arrestor for the muffler is available through your nearest engine authorized service dealer or contact the service department, P.O. Box 361131 Cleveland, Ohio 44136-0019.

Safety Symbols

This page depicts and describes safety symbols that may appear on this product. Read, understand, and follow all instructions on the machine before attempting to assemble and operate.

Symbol	Description
	READ THE OPERATOR'S MANUAL(S) Read, understand, and follow all instructions in the manual(s) before attempting to assemble and operate.
	DANGER — ROTATING BLADES To reduce the risk of injury, keep hands and feet away. Do not operate unless discharge cover or grass catcher is in its proper place. If damaged, replace immediately.
	DANGER — BYSTANDERS Do not mow when children or others are around.
	DANGER — HAND/ FOOT CUT Keep hands and feet away from rotating parts.
	DANGER — THROWN DEBRIS Remove objects that can be thrown by the blade in any direction. Wear safety glasses.
	DANGER — SLOPES Use extra caution on slopes. The machine is heavy and can speed up when going downhill. Be prepared to maintain control of the machine. To avoid loss of control, operate across slopes, not up and down. When turning, turn uphill, not down. Do not operate on slopes greater than 15°.
	WARNING—GASOLINE IS FLAMMABLE Allow the engine to cool at least two minutes before refueling.
	WARNING— CARBON MONOXIDE Never run an engine indoors or in a poorly ventilated area. Engine exhaust contains carbon monoxide, an odorless and deadly gas.
	WARNING— HOT SURFACE Engine parts, especially the muffler, become extremely hot during operation. Allow engine and muffler to cool before touching.



WARNING! Your Responsibility—Restrict the use of this power machine to persons who read, understand and follow the warnings and instructions in this manual and on the machine.

SAVE THESE INSTRUCTIONS!

Slope Gauge

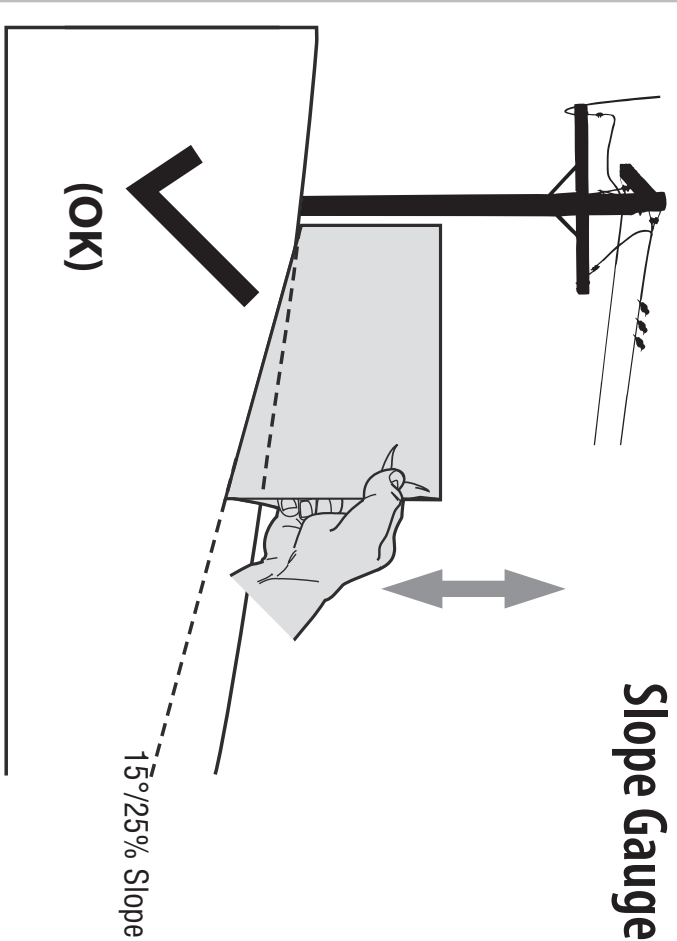


Figure 1

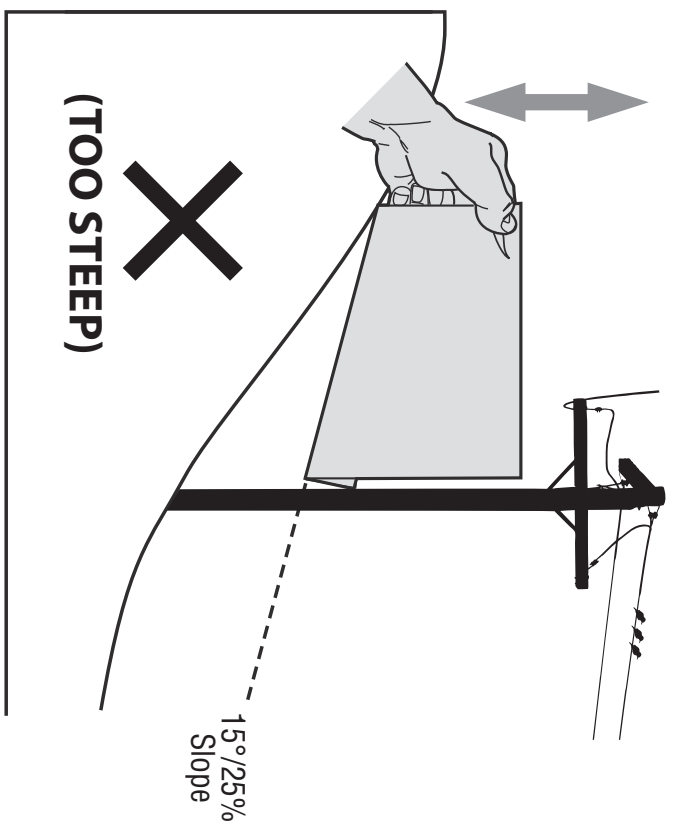


Figure 2

USE THIS SLOPE GAUGE TO DETERMINE IF A SLOPE IS TOO STEEP FOR SAFE OPERATION!

To check the slope, proceed as follows:

1. Remove this page and fold along the dashed line.
2. Locate a vertical object on or behind the slope (e.g. a pole, building, fence, tree, etc.)
3. Align either side of the slope gauge with the object (See Figure 1 and Figure 2).
4. Adjust gauge up or down until the left corner touches the slope (See Figure 1 and Figure 2).
5. If there is a gap below the gauge, the slope is too steep for safe operation (See Figure 2 above).

15°/25% dashed line



WARNING! Slopes are a major factor related to slip and fall accidents which can result in severe injury or death. The machine is heavy and can speed up when going downhill. Be prepared to maintain control of the machine. To avoid loss of control, operate across slopes, not up and down. When turning, turn uphill, not down. Do not operate machine on slopes in excess of 15 degrees.

Thank You

Thank you for purchasing this product. It was carefully engineered to provide excellent performance when properly operated and maintained.

Please read this entire manual prior to operating the equipment. It instructs you how to safely and easily set up, operate and maintain your machine. Please be sure that you, and any other persons who will operate the machine, carefully follow the recommended safety practices at all times. Failure to do so could result in personal injury or property damage.

All information in this manual is relative to the most recent product information available at the time of printing. Review this manual frequently to familiarize yourself with the machine, its features and operation. Please be aware that this Operator's Manual may cover a range of product specifications for various models. Characteristics and features discussed and/or illustrated in this manual may not be applicable to all models. We reserve the right to change product specifications, designs and equipment without notice and without incurring obligation.

If applicable, the power testing information used to establish the power rating of the engine equipped on this machine can be found at www.opei.org or the engine manufacturer's web site.

If you have any problems or questions concerning the machine, phone your local authorized service dealer or contact us directly. We want to ensure your complete satisfaction at all times.

Throughout this manual, all references to *right* and *left* side of the machine are observed from the operating position.

The engine manufacturer is responsible for all engine-related issues with regards to performance, power-rating, specifications, warranty and service. Please refer to the engine manufacturer's Owner's/Operator's Manual, packed separately with your machine, for more information.

Contents of Carton

- Lawn Mower (1)
- Cable Clips † (2)
- Lawn Mower Operator's Manual (1)
- Fast Start Guide † (1)
- Grass Catcher † (1)
- Electric Start Push Key † (1)
- Engine Operator's Manual (1)
- † If Equipped
- Side Discharge Chute † (1)
- Oil (1)
- Parts/Warranty Document (1)

NOTE: This Operator's Manual covers several models. Features may vary by model. Not all features in this manual are applicable to all models and the model depicted may differ from yours. Handle assembly is the same on all units, however, refer to Figure 3-1 in the Controls & Operation section to determine the handle controls your model has and page 10 for instruction on how to use them.

NOTE: This unit is shipped without gasoline or oil in the engine. Fill up with gasoline and oil as instructed in the Engine Operator's Manual BEFORE operating your mower.

Handle Assembly

1. Remove any packing material which may be between upper and lower handles
2. Remove wing knobs (a) and carriage bolts (b) from handle as shown in Figure 2-1. Do not loosen or remove adjacent hex head screws.

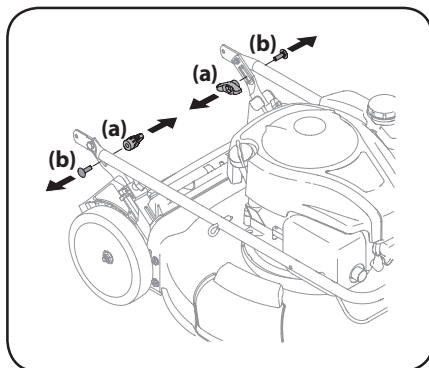


Figure 2-1

3. While stabilizing mower so it doesn't move, pivot upper handle up as shown in Figure 2-2. Do not crimp cable while lifting the handle up.

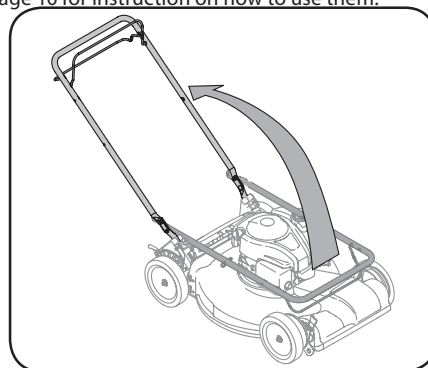


Figure 2-2

4. Remove the T-bolts (a) from the handle brackets as shown in Figure 2-3.

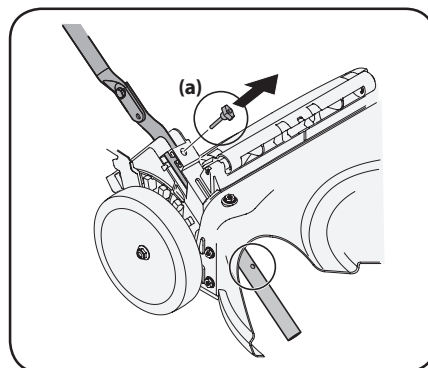


Figure 2-3

5. Follow the proceeding steps to complete handle assembly:

- a. Pull upward on the handle until holes in lower handle (shown in Figure 2-3 deck cutaway) line up with holes in handle bracket. See Figure 2-4.

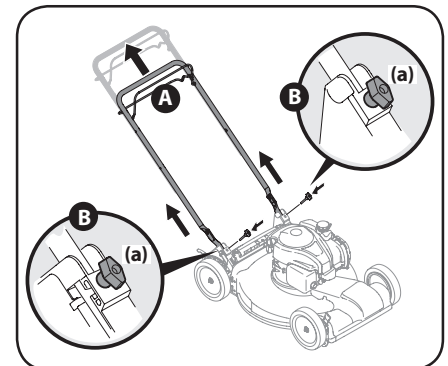


Figure 2-4

NOTE: When pulling upward on handle, make sure to not pull handle all the way out.

- b. Insert the T-bolts (a) removed in Step 4 through the handle brackets and lower handle and tighten securely to secure the handle in place. See Figure 2-4.
- c. Reattach wing knobs (a) and carriage bolts (b) removed in Step 2 into lower holes of handle as shown in Figure 2-5.

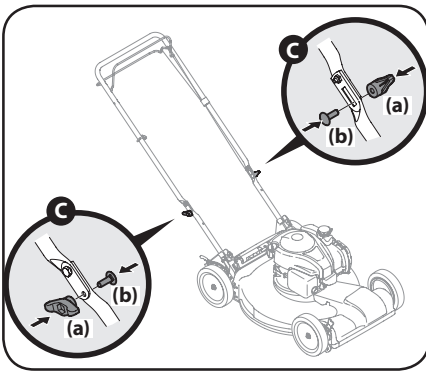


Figure 2-5

- The rope guide is attached to the right side of the upper handle. Loosen the wing knob (a) which secures the rope guide. See Figure 2-6.

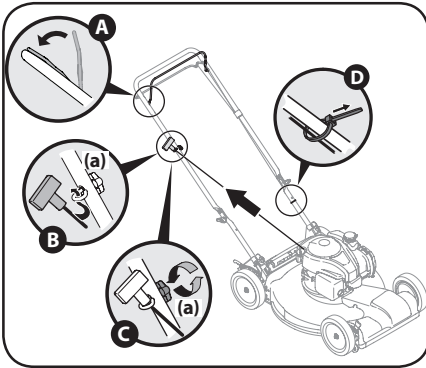


Figure 2-6

- Hold blade control against upper handle.
- Slowly pull starter rope handle from engine and slip starter rope into the rope guide.
- Tighten rope guide wing knob (a).
- Use cable tie(s) to secure cable(s) to lower handle.

NOTE: On select units, use the two cable clips provided to secure blade control and drive cables to lower handle as shown in Figure 2-7.

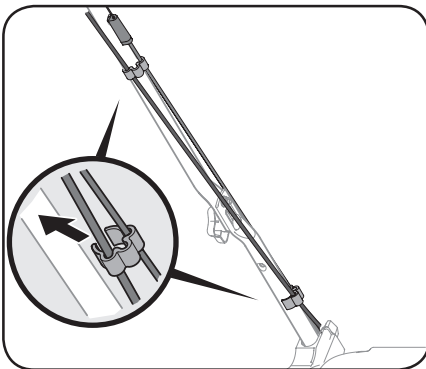


Figure 2-7

IMPORTANT: To reduce wear and allow for proper operation, make sure to leave some slack in the upper portion of the cable(s).

Grass Catcher (If Equipped)

- Follow steps below to assemble the grass catcher (if needed). Make certain bag is turned right side out before assembling (warning label will be on the outside). See Figure 2-8.
 - Place bag over frame so that its black plastic side is at the bottom.
 - Slip plastic channel of grass bag over hooks on the frame.

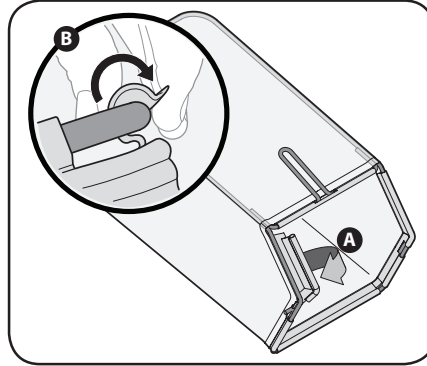


Figure 2-8

- Follow steps below to attach grass catcher. See Figure 2-9.
 - Lift mower rear discharge door.
 - Place grass catcher into the slots in the handle brackets. Release discharge door so that it rests on the grass catcher.

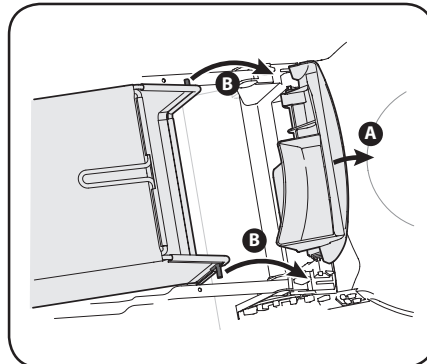


Figure 2-9

To remove grass catcher, lift mower rear discharge door. Lift grass catcher up and off the slots in the handle brackets. Release mower rear discharge door to allow it to close rear opening of mower.

Side Discharge Chute

(If Equipped)

Your mower may be shipped as a mulcher. To convert to side discharge, make sure grass catcher (if equipped) is off the unit and mower rear discharge door (if equipped) is closed.

- On the side of the mower, lift the mulch plug. See Figure 2-10.

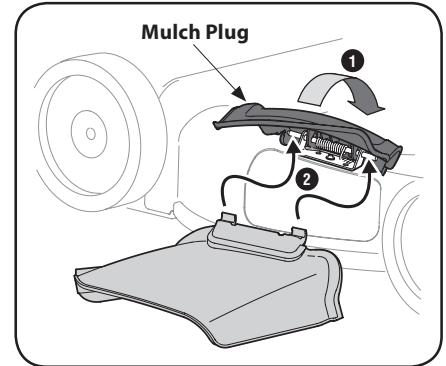


Figure 2-10

- Slide two hooks of side discharge chute under hinge pin on mulch plug assembly. Lower the mulch plug.

NOTE: Do not remove side mulch plug at any time.

Adjustments

Cutting Height

The cutting height adjustment lever is located above the front and rear right wheel.

- Pull the cutting height adjustment lever towards wheel.
- Move lever to desired position for a change in cutting height. See Figure 2-11 for low wheel and Figure 2-12 for high wheel.

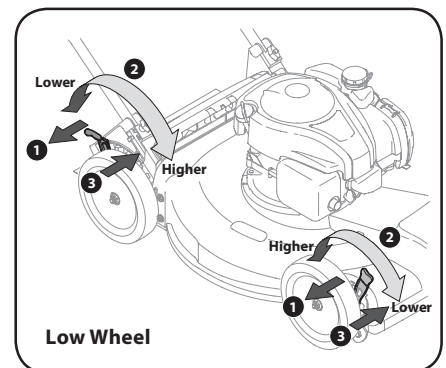


Figure 2-11

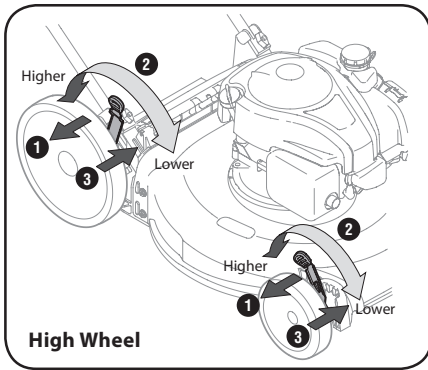


Figure 2-12

NOTE: For mowers with low wheels, the cutting height adjustment levers move in the opposite direction to adjust; for mowers with high wheels, the levers move in the same direction.

IMPORTANT: Both the front and rear wheels must be placed in the same relative position. For rough or uneven lawns, move the height adjustment levers to a higher position. This will stop scalping of grass.

3. Release lever towards deck. See Figure 2-11 and Figure 2-12.

Handle Pitch (If Equipped)

If equipped, the pitch of the handle can be adjusted as follows:

1. Remove wing nuts (a) and carriage bolts (b) from handle. See Figure 2-13.

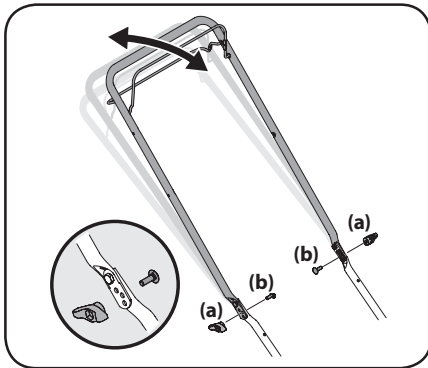


Figure 2-13

2. Position the handle in one of the three positions that is most comfortable. See Figure 2-13 inset.
3. Secure into position with wing nuts (a) and carriage bolts (b) removed in Step 1.

Drive Control (If Equipped)

If equipped, there is an adjustment wheel located in the drive control handle housing that is used to tighten or loosen the drive belt. You will need to adjust the drive control if the mower does not propel itself with the drive control engaged or if the mower's wheels hesitate with the drive control engaged. If either of these conditions occur, rotate adjustment wheel clockwise to tighten cable or counterclockwise to loosen the cable. See Figure 2-14 for location on Single Lever Drive Control and Figure 2-15 for Dual Lever Drive Control.

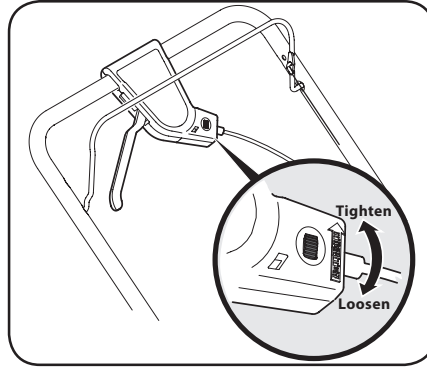


Figure 2-14

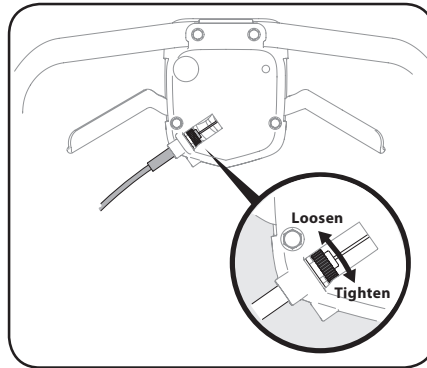


Figure 2-15

Set-Up

Electric Starter (If Equipped)

NOTE: Remove cable tie (a) from around battery box. Cable tie is used for shipping only. See Figure 2-16.

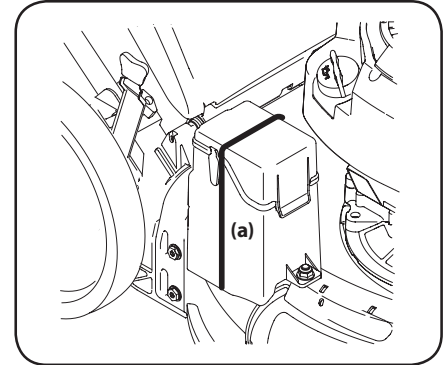


Figure 2-16

Gas and Oil Fill-Up

Refer to the Engine Operator's Manual for additional engine information.

1. Add provided oil before starting unit for the first time.
2. Service the engine with gasoline as instructed in the Engine Operator's Manual.



WARNING: Use extreme care when handling gasoline. Gasoline is extremely flammable and the vapors are explosive. Never fuel the machine indoors or while the engine is hot or running. Extinguish cigarettes, cigars, pipes and other sources of ignition.

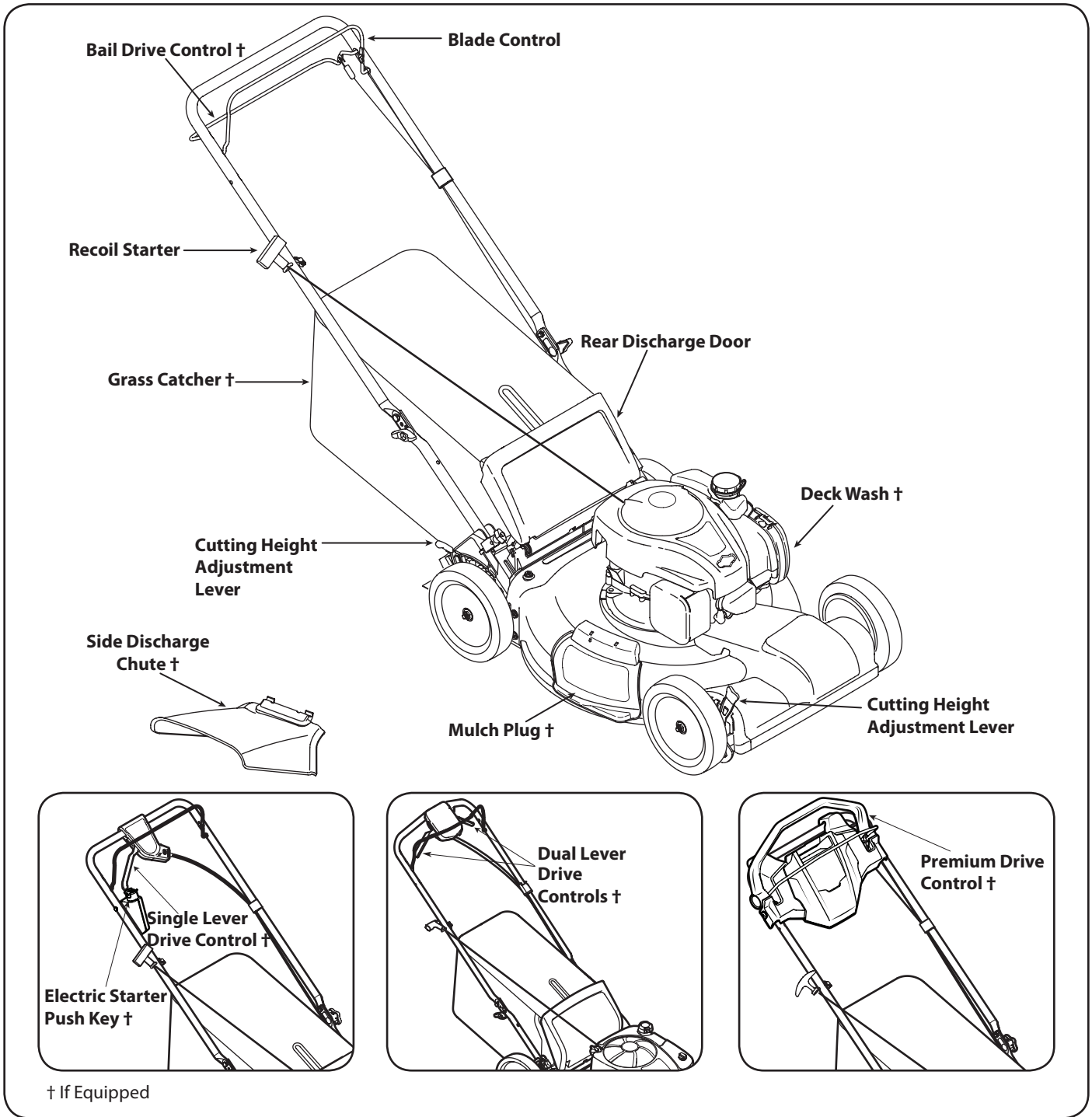


Figure 3-1

Blade Control

The blade control is attached to the upper handle of the mower. Depress and squeeze it against the upper handle to operate the unit. Release it to stop engine and blade.



WARNING: The blade control is a safety device. Never attempt to bypass its operations.

Bail Drive Control (If Equipped)

The bail drive control is located on the underside of the upper handle and is used to engage the drive. Squeeze it against the upper handle to engage the drive; release it to stop mower from propelling.

Single Lever Drive Control (If Equipped)

The single lever drive control is located on top of the upper handle and is used to engage the drive. Squeeze it against the upper handle to engage the drive; release it to slow down or stop mower from propelling.

Dual Lever Drive Controls (If Equipped)

The dual lever drive controls are located on top of the upper handle and are used to engage the drive. Squeeze the right, left, or both right and left controls against the upper handle to engage the drive; release it/them to slow down or stop mower from propelling.

Premium Drive Control **(If Equipped)**

The premium drive control is located on the upper handle and is used to engage the drive. Pushing the control forward will engage the drive. The farther the control is pushed forward, the faster the mower will propel. Once pressure is released from the control it will return to the neutral position and the drive will be disengaged.

Cutting Height Adjustment Lever

One adjustment lever is located on the right rear wheel and one is located on the right front wheel. Both levers must be at the same relative position to ensure a uniform cut. To adjust the cutting height, refer to Cutting Height Adjustment on page 7.

NOTE: On select models, the front cutting height adjustment lever is located above the front left wheel.

Grass Catcher (If Equipped)

The grass catcher, located at the rear of the mower, is used to bag the grass clippings for disposal. Once the bag is full, remove it up through the handles using the grass catcher handle and empty it.

Mulch Plug (If Equipped)

The mulch plug is used for mulching purposes. Instead of collecting the grass clippings in a grass catcher or using the side discharge chute, some mower models have the option of recirculating the clippings back to the lawn. This is called mulching.

Side Discharge Chute **(If Equipped)**

Your mower may be shipped as a mulcher. To discharge the grass clippings to the side, follow the instructions in the Side Discharge Chute section on page 7 to attach the side discharge chute.



WARNING: Keep hands and feet away from the chute area on cutting deck. Refer to warning label on the unit.

Deck Wash (If Equipped)

Your mower's deck may be equipped with a fast attach deck wash nozzle on its surface as part of its deck wash system. Use the deck wash to rinse grass clippings from the deck's underside.

Recoil Starter

The recoil starter is attached to the right upper handle. Stand behind the unit and pull the recoil starter rope to start the unit.

Electric Starter Push Key **(If Equipped)**

The electric starter push key is located on the right side of the upper handle. It is both a removable key and push button and is only provided on electric start models.

NOTE: On select units, the electric start is activated by a removable turn key.

Starting & Stopping Engine

Refer to the Engine Operator's Manual for instructions on starting and stopping the engine.

Using Your Lawn Mower

Be sure lawn is clear of stones, sticks, wire, or other objects which could damage lawn mower or engine. Such objects could be accidentally thrown by the mower in any direction and cause serious injury to the operator, others, or the equipment.

Bail Drive Control

1. Once the engine is running, squeeze the bail drive control against the upper handle to propel mower.
2. Release the bail drive control to stop mower from propelling.

Single Lever Drive Control

1. Once the engine is running, squeeze the single lever drive control against the upper handle to propel mower.
2. Release the single lever drive control to slow down or stop mower from propelling.

Dual Lever Drive Controls

1. Once the engine is running and while continuing to hold the blade control down, squeeze either (or both) drive controls against the upper handle to propel mower. See Figure 3-2.

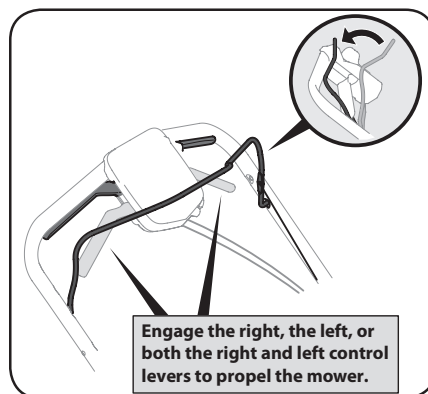


Figure 3-2

2. Release the dual lever drive controls to slow down or stop mower from propelling.

Premium Drive Control

1. Once the engine is running and while continuing to hold the blade and drive controls together, push the drive control forward to propel mower. The farther the control is pushed forward, the faster the mower will propel.
2. Once pressure is released from the control it will return to the neutral position and the drive will be disengaged.

NOTE: For ease of use, while gripping the controls, simply lock your wrist and elbows and walk - the unit will automatically adjust to your speed.



WARNING: The operation of any lawn mower can result in foreign objects being thrown into the eyes, which can damage your eyes severely. Always wear safety glasses while operating the mower, or while performing any adjustments or repairs on it.

Using as Mulcher (If Equipped)

For mulching grass, remove the side discharge chute (if equipped) or the grass catcher (if equipped) and allow the rear discharge door (if equipped) to close the rear opening of mower. For effective mulching, do not cut wet grass. If the grass has been allowed to grow in excess of four inches, mulching is not recommended. Use the grass catcher to bag clippings instead.

Using Grass Catcher (If Equipped)

Use the grass catcher to collect clippings while you are operating the mower.

1. Attach grass catcher following instructions in the Grass Catcher section on page 7. Grass clippings will automatically collect in bag as you run mower. Operate mower until grass bag is full.
2. Stop engine completely by releasing the blade control. Make sure that the unit has come to a complete stop.
3. Lift discharge door and pull grass bag up and away from the mower to remove the bag. Dispose of the grass clippings and reinstall the bag when complete.



WARNING: If you strike a foreign object, stop the engine. Remove wire from the spark plug, thoroughly inspect mower for any damage, and repair damage before restarting and operating. Extensive vibration of mower during operation is an indication of damage. The unit should be promptly inspected and repaired.

Maintenance

General Recommendations

- Always observe safety rules when performing any maintenance.
- The warranty on this lawn mower does not cover items that have been subjected to operator abuse or negligence. To receive full value from warranty, operator must maintain the lawn mower as instructed here.
- Changing of engine-governed speed will void engine warranty.
- All adjustments should be checked at least once each season.
- Periodically check all fasteners and make sure these are tight.



WARNING: Always stop engine, allow engine to cool, disconnect spark plug, and ground against engine before performing any type of maintenance on your machine.

Lubrication

1. Lubricate pivot points on the blade and drive controls at least once a season with light oil. These controls must operate freely in both directions. See Figure 4-1.

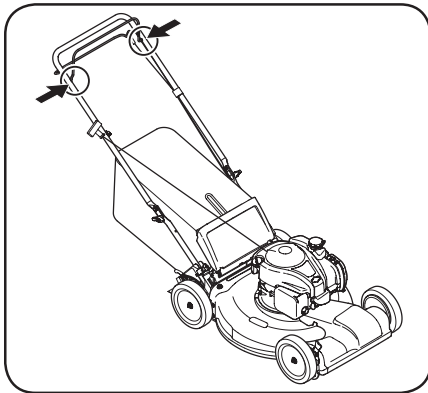


Figure 4-1

2. The transmission is pre-lubricated and sealed at the factory and does not require lubrication.
3. Follow the Engine Operator's Manual for lubrication schedule and instruction for engine lubrication.

Deck Care

Clean underside of the mower deck after each use to prevent build-up of grass clippings or other debris. Follow steps below for proper cleaning.

1. Allow the engine to run until it is out of fuel. Do not attempt to pour fuel from the engine. Disconnect spark plug wire. Refer to Engine Operator's Manual.
2. Tip mower so that it rests on the housing. Keep the side with the air cleaner facing up. Hold mower firmly.



WARNING: Never tip the mower more than 90° in any direction and do not leave the mower tipped for any length of time. Oil can drain into the upper part of the engine causing a starting problem.

3. Scrape and clean the underside of the deck with a suitable tool.
4. Put the mower back on its wheels on the ground.

Engine Care

A list of key engine maintenance jobs required for good performance by the mower are listed below. Follow the Engine Operator's Manual for a detailed list and instructions.

- Maintain oil level as instructed in Engine Operator's Manual.
- Service air cleaner every 25 hours of use under normal conditions. Clean every few hours under extremely dusty conditions. Poor engine performance and flooding usually indicates that the air cleaner should be serviced. To service the air cleaner, refer to the Engine Operator's Manual.
- Clean spark plug and reset the gap once a season. Spark plug replacement is recommended at the start of each mowing season. Check Engine Operator's Manual for correct plug type and gap specifications.
- Clean engine regularly with a cloth or brush. Keep the top of the engine clean to permit proper air circulation. Remove all grass, dirt, and combustible debris from muffler area.
- Engines stored between 30 and 90 days need to be treated with a gasoline stabilizer to prevent deterioration and gum from forming in fuel system or on essential carburetor parts.

Deck Wash (If Equipped)

Your mower's deck may be equipped with a water port on its surface as part of its deck wash system.

Use the deck wash to rinse grass clippings from the deck's underside and prevent the buildup of corrosive chemicals. Complete the following steps AFTER EACH MOWING:

1. Push the mower to a level, clear location on your lawn. Ensure your garden hose can reach your mower.



CAUTION: Make certain the mower's discharge chute is directed AWAY from your house, garage, parked cars, etc.

2. Remove the fast attach deck wash nozzle from the mower deck and thread it onto the end of your garden hose.
3. Attach garden hose with the deck wash nozzle to the water port on your deck's surface. See Figure 4-2.

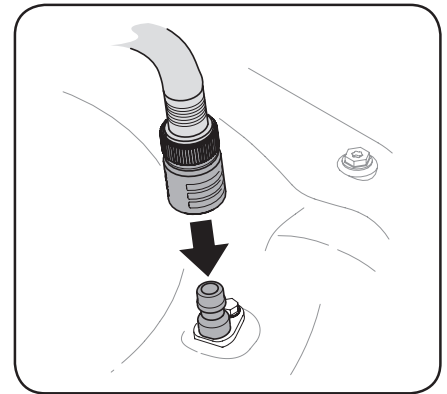


Figure 4-2

4. Turn the water ON.
5. Start the engine as described in the Engine Operator's Manual.
6. Run the engine for a minimum of two minutes, allowing the underside of the cutting deck to thoroughly rinse.
7. Release blade control to stop the engine and blade.
8. Turn the water OFF and detach the deck wash nozzle from the water port on your deck's surface.

After cleaning your deck, restart the mower. Keep the engine and blade running for a minimum of two minutes, allowing the underside of the cutting deck to thoroughly dry.

Drive Adjustment (If Equipped with Premium Drive)

The drive system consists of pulleys, a belt, and a cable linking the transmission to the drive handle. As these components wear, adjustment may be needed. To adjust the drive linkage perform the following:

1. Rotate the drive cable fitting located on the left upper handle upward. See Figure 4-3.

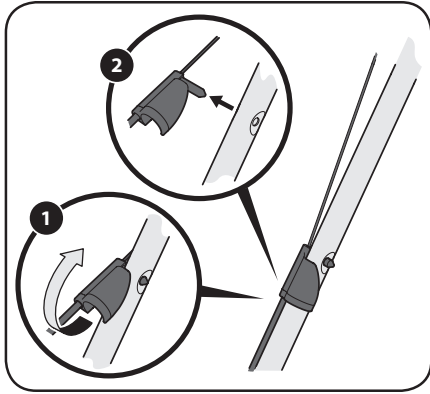


Figure 4-3

2. Pull the fitting away from the handle.
3. Unhook the cable and remove the metal bushing from the plastic drive handle. See Figure 4-4.

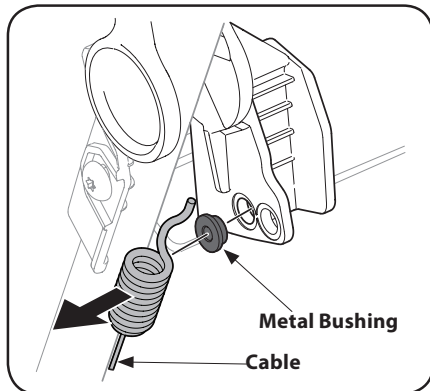


Figure 4-4

4. Replace bushing in the lower hole and reattach the cable through the bushing and lower hole in the handle. See Figure 4-5.

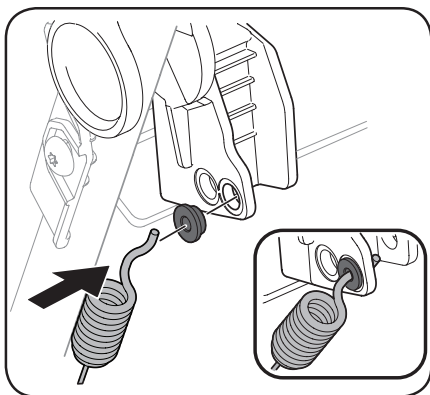


Figure 4-5

5. Reinsert the drive cable fitting into the upper handle and rotate it downward.
6. Start the mower and check the function of the drive handle.

Blade Care



WARNING: When removing the cutting blade for sharpening or replacement, protect your hands with a pair of heavy gloves or use a heavy rag to hold the blade.

Periodically inspect the blade adapter for cracks, especially if you strike a foreign object. Replace when necessary. Follow the steps below for blade service.

1. Allow the engine to run until it is out of fuel. Do not attempt to pour fuel from the engine. Disconnect spark plug wire. Refer to Engine Operator's Manual.
2. Turn mower on its side making sure that the air filter and the carburetor are facing up.
3. Remove bolt (a) and blade bell support (b) which hold the blade and the blade adapter to the engine crankshaft. See Figure 4-6.

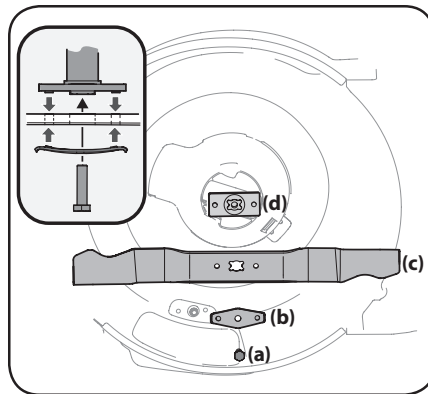


Figure 4-6

4. Remove blade (c) and adapter (d) from the crankshaft. See Figure 4-6.
5. Remove blade from the adapter for testing balance. Balance the blade on a round shaft screwdriver to check. Remove metal from the heavy side until it balances evenly. When sharpening the blade, follow the original angle of grind. Grind each cutting edge equally to keep the blade balanced.



WARNING: An unbalanced blade will cause excessive vibration when rotating at high speeds. It may cause damage to mower and could break causing personal injury.

6. Lubricate the engine crankshaft and the inner surface of the blade adapter with light oil. Slide the blade adapter (d) onto the engine crankshaft. Place the blade on the adapter such that the side of the blade marked "Grass Side" (or with part number) faces the ground when the mower is in the operating position. Make sure that the blade is aligned and seated on the blade adapter flanges. See Figure 4-6 inset.
7. Place blade bell support (b) on the blade (c). Align notches on the blade bell support with small holes in blade.
8. Replace hex bolt (a) and tighten hex bolt to torque: 450 in-lb (min.), 600 in-lb (max.).

To ensure safe operation of your mower, periodically check the blade bolt for correct torque.

Belt Care

NOTE: Several components must be removed in order to change the mower's belt. See an authorized Service Dealer to have your belt replaced.

Replacing Battery (If Equipped)



WARNING: Batteries contain sulfuric acid which may cause burns. Do not short circuit or damage batteries in any way. Do not put batteries in fire as these may burst or release toxic materials.

1. Unhinge cover seal and remove battery cover.
2. Remove positive and negative leads from battery, and pull up on battery to remove. See Figure 4-7.

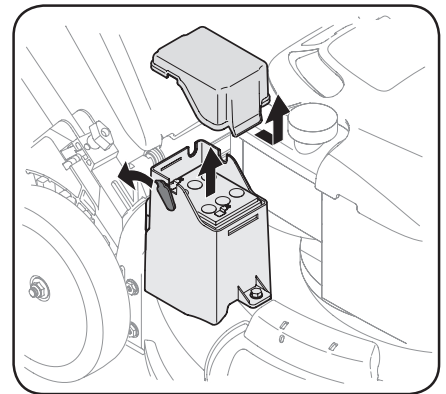


Figure 4-7

3. Replace with new battery. Connect the positive lead (red) to the positive side of the battery pack, then connect the negative lead (black) to the negative side. See Figure 4-8.

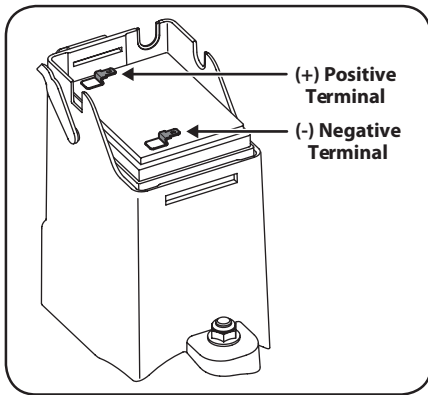


Figure 4-8

4. Reattach battery cover and cover seal.

Charging Battery (If Equipped)



WARNING: The battery contains corrosive fluid and toxic material; handle with care and keep away from children. Do not puncture, disassemble, damage or incinerate the battery. Explosive gases could be vented during charging or discharging. Use in a well ventilated area, away from sources of ignition.

NOTE: The special designed plug on the charger will only fit into the plug on the battery box.

1. Unhinge the cover seal and plug the battery charger into the port on the side of the battery housing. See Figure 4-9.

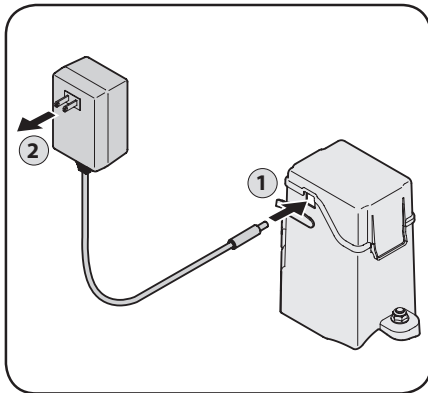


Figure 4-9

2. Insert the battery charger plug into a standard 120V household outlet. Charge battery for 8 to 10 hours before initial use. Do not charge longer than 12 hours. The battery should only need to be charged upon initial setup, at the end of the season, after any other extended periods of non-use, and as needed.

NOTE: If you frequently stop and restart the mower during each cut throughout the season (for instance when bagging), more frequent charging may be necessary.

3. After charging, disconnect charger plug from outlet first, then disconnect charger lead from battery and reattach cover seal.

IMPORTANT: Do not remove the battery pack from the electric starter housing for any reason other than replacement.

IMPORTANT: Always plug charger lead into battery pack lead first, and then insert battery charger plug into 120V standard household outlet. Follow this order of action every time you charge the battery.

- Do not use a pressure washer to clean your unit.
- Store mower in a dry, clean area. Do not store next to corrosive materials, such as fertilizer.

When storing any type of power equipment in a poorly ventilated or metal storage shed, care should be taken to rust-proof the equipment. Using a light oil or silicone, coat the equipment, especially cables and all moving parts of your lawn mower before storage.

Battery (If Equipped)

- The battery must be stored with a full charge. Extended storage of a discharged battery will reduce life and capacity of the battery. For optimal battery life, charge the battery once per month while in storage.
- Remove Electric Starter Push Key (if equipped) and keep in a safe place out of the reach of children.

Off-Season Storage

Mower

The following steps should be taken to prepare your lawn mower for storage.

- Clean and lubricate mower thoroughly as described in Lubrication section on page 11.
- Apply a coat of chassis grease to mower's cutting blade to prevent rusting.
- Refer to Engine Operator's Manual for correct engine storage instructions.
- Secure side discharge chute to handle (if applicable) as shown in Figure 4-10.

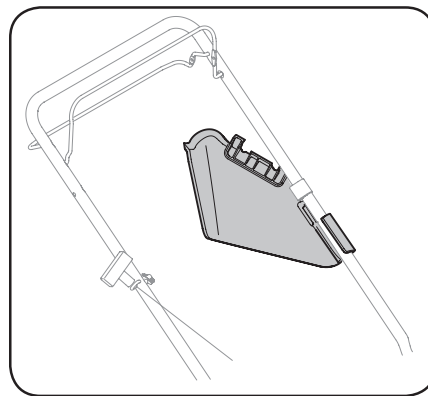


Figure 4-10

Problem	Cause	Remedy
Engine fails to start	<ol style="list-style-type: none"> 1. Blade control disengaged. 2. Spark plug boot disconnected. 3. Fuel tank empty or stale fuel. 4. Engine not primed (if equipped with primer). 5. Faulty spark plug. 6. Blocked fuel line. 7. Engine flooded. 8. Fuel valve (if equipped) closed. 9. Engine not choked (if equipped with choke). 	<ol style="list-style-type: none"> 1. Engage blade control. 2. Connect wire to spark boot. 3. Fill tank with clean, fresh gasoline. 4. Prime engine as instructed in the Engine Operator's Manual. 5. Clean, adjust gap, or replace. 6. Clean fuel line. 7. Wait a few minutes to restart; do not prime. 8. Open fuel valve. See Engine Operator's Manual. 9. Choke engine. See Engine Operator's Manual.
Engine fails to start with electric starter (Electric Start Units Only)	<ol style="list-style-type: none"> 1. Electric Starter Push Key not fully inserted. 2. Battery not charged. 3. Circuit breaker tripped. 	<ol style="list-style-type: none"> 1. Insert Electric Starter Push Key into starter housing until it snaps into place. 2. Charge battery. 3. Debris may be blocking blade operation. Stop engine, remove Electric Starter Push Key, and disconnect spark plug boot. Verify grass or other debris are not obstructing the blade. Carefully clean out debris if necessary. Reattach spark plug boot and reinsert Electric Starter Push Key. Wait one minute after tripping for circuit breaker to automatically self-reset then reattempt start.
Engine runs erratic	<ol style="list-style-type: none"> 1. Spark plug boot loose. 2. Blocked fuel line or stale fuel. 3. Vent in gas cap plugged. 4. Water or dirt in fuel system. 5. Dirty air cleaner. 6. Unit running with CHOKE (if equipped) applied. 	<ol style="list-style-type: none"> 1. Connect and tighten spark plug boot. 2. Clean fuel line; fill tank with clean, fresh gasoline. 3. Clear vent. 4. Drain fuel tank. Refill with fresh fuel. 5. Refer to Engine Operator's Manual. 6. Push CHOKE knob in.
Engine overheats	<ol style="list-style-type: none"> 1. Engine oil level low. 2. Air flow restricted. 	<ol style="list-style-type: none"> 1. Fill crankcase with proper oil. 2. Clean area around and on top of engine.
Occasional skips (hesitates) at high speed	<ol style="list-style-type: none"> 1. Spark plug gap too close. 	<ol style="list-style-type: none"> 1. Adjust spark plug gap. Refer to Engine Operator's Manual.

Problem	Cause	Remedy
Idles poorly	<ol style="list-style-type: none"> 1. Spark plug fouled, faulty, or gap too wide. 2. Dirty air cleaner. 	<ol style="list-style-type: none"> 1. Reset gap or replace spark plug. 2. Refer to Engine Operator's Manual.
Excessive vibration/noise	<ol style="list-style-type: none"> 1. Cutting blade loose or unbalanced. 2. Bent/damaged blade or blade adapter. 	<ol style="list-style-type: none"> 1. Tighten blade and adapter. Balance blade. 2. See an authorized service dealer.
Mower will not mulch grass (if equipped)	<ol style="list-style-type: none"> 1. Wet grass. 2. Excessively high grass. 3. Dull blade. 	<ol style="list-style-type: none"> 1. Do not mow when grass is wet; wait until dry to cut. 2. Mow once at a high cutting height, then mow again at desired height or make a narrower cutting path. 3. Sharpen or replace blade.
Uneven cut	<ol style="list-style-type: none"> 1. Wheels not positioned correctly. 2. Dull blade. 	<ol style="list-style-type: none"> 1. Place front and rear wheels in same height position. (Dual lever height adjusters only) 2. Sharpen or replace blade.
Mower will not self propel	<ol style="list-style-type: none"> 1. Belt not installed properly. 2. Debris clogging drive operation. 3. Damaged or worn belt. 4. Drive control out of adjustment. 	<ol style="list-style-type: none"> 1. Check belt for proper pulley installation and movement. 2. Stop engine, disconnect spark plug boot, and clean out debris. 3. Inspect and replace belt. 4. Adjust drive control. Refer to page 8 in Assembly and Set-Up.
High pullback effort	<ol style="list-style-type: none"> 1. Pulling mower backwards before transmission disengages. 2. Drive control adjusted too tight. 	<ol style="list-style-type: none"> 1. Allow the unit to roll forward slightly without the drive lever(s) engaged before pulling backwards. 2. Readjust drive control. Refer to page 8 in the Assembly & Set-Up section.

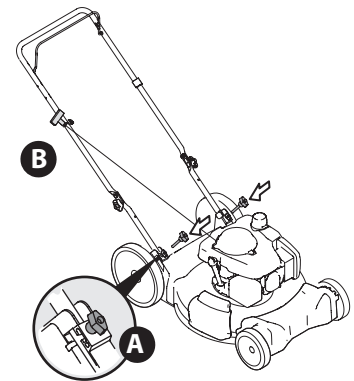
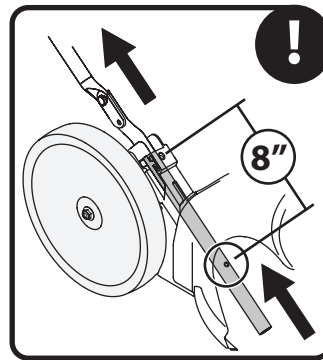
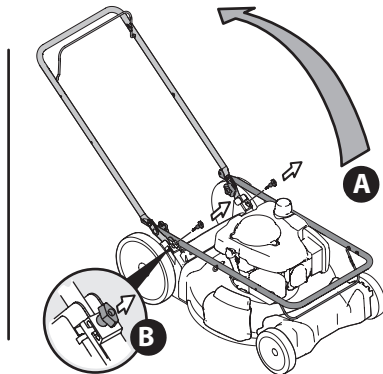
MANUAL DEL OPERADOR

Cortadora de césped autopropulsada

Transmisión de rueda delantera
Modelo de la Serie A y B



IMPORTANTE: LEA EL MANUAL DEL OPERADOR Y EL MANUAL DEL MOTOR A FONDO Y SIGA LAS PRÁCTICAS DE OPERACIÓN SEGURA ANTES DE OPERAR.



Índice

Medidas de seguridad	2	Servicio.....	11
Montaje y configuración	6	Solución de problemas.....	14
Controles y funcionamiento	9	Piezas/Garantía.....	Consulte el suplemento que se adjunta por separado

⚠ ADVERTENCIA - ¡GUARDE ESTAS INSTRUCCIONES!

LEA Y OBSERVE TODAS LAS NORMAS E INSTRUCCIONES DE SEGURIDAD INCLUIDAS EN ESTE MANUAL ANTES DE PONER EN FUNCIONAMIENTO LA MÁQUINA. SI NO SIGUE ESTAS INSTRUCCIONES PUEDE PROVOCAR LESIONES PERSONALES.

NOTA: Este Manual del Operador, corresponde a numerosos modelos. Las características técnicas pueden variar según los modelos. No todas las características técnicas que se incluyen en este manual se aplican a todos los modelos y la máquina que se ilustra aquí puede diferir de la suya.



¡ADVERTENCIA! La presencia de este símbolo indica que se trata de instrucciones de seguridad importantes que se deben respetar para evitar poner en peligro su seguridad personal y/o material y la de otras personas. Lea y cumpla todas las instrucciones de este manual antes de intentar hacer funcionar esta máquina. Si no respeta estas instrucciones puede provocar lesiones personales.

Cuando vea este símbolo, **¡RESPECTE LA ADVERTENCIA!**

PROPOSICIÓN 65 DE CALIFORNIA



¡ADVERTENCIA! El escape del motor, algunos de los elementos del mismo y algunos componentes del vehículo contienen o liberan sustancias químicas que según el Estado de California pueden producir cáncer, defectos de nacimiento u otros problemas reproductivos. Los bornes, terminales y accesorios de la batería contienen plomo y compuestos de plomo, sustancias químicas que según lo establecido por el Estado de California causan cáncer y daños en el sistema reproductivo. Lávese las manos después de estar en contacto con estos componentes.



PELIGRO: Esta máquina está diseñada para ser utilizada respetando las normas de seguridad contenidas en este manual. Al igual que con cualquier tipo de equipo motorizado, un descuido o error por parte del operador puede producir lesiones graves. Esta máquina es capaz de amputar dedos, manos y pies y de arrojar objetos extraños con gran fuerza. De no respetar las instrucciones de seguridad siguientes, se pueden ocasionar lesiones graves o la muerte.

Funcionamiento general

1. Lea con atención el contenido de este manual antes de intentar ensamblar la máquina. Lea, comprenda y siga todas las instrucciones que figuran en la máquina y en los manuales antes de hacerla funcionar. Guarde este manual en un lugar seguro para consultas futuras y periódicas, así como para solicitar repuestos.
2. Antes de hacer funcionar este equipo, familiarícese totalmente con los controles y el uso correcto del mismo.
3. Esta máquina es un equipo motorizado de precisión, no un juguete. Por lo tanto, tenga mucho cuidado en todo momento. Esta máquina fue diseñada para realizar una tarea: cortar el césped. No lo utilice para ningún otro fin.
4. No permita nunca que los niños menores de 14 años utilicen esta máquina. Los niños de 14 años en adelante deben leer y entender las instrucciones de funcionamiento y las normas de seguridad contenidas en este manual y en la máquina y deben ser entrenados y supervisados por un adulto.
5. Sólo se debe permitir usar esta máquina a individuos responsables y familiarizados con sus reglas de seguridad.
6. Inspeccione minuciosamente el área donde utilizará el equipo. Saque todas las piedras, palos, cables, huesos, juguetes y otros objetos extraños con los que podría tropezar o que podrían ser arrojados por la cuchilla. Los objetos arrojados por la máquina pueden causar lesiones graves.
7. Planifique el patrón de corte, para evitar que la descarga de material se realice hacia los caminos, las veredas, los observadores, etc. Evite además descargar material contra las paredes u obstrucciones que podrían provocar que el material descargado rebote contra el operador.
8. Para ayudar a evitar el contacto con la cuchilla o una lesión por un objeto arrojado, manténgase en la zona del operador detrás de las manijas y mantenga a los niños, observadores, ayudantes y mascotas apartados al menos 25 metros de la podadora mientras está en funcionamiento. Detenga la máquina si alguien entra en el área.
9. Para protegerse los ojos utilice siempre anteojos o antiparras de seguridad mientras hace funcionar la máquina o mientras le hace ajustes o reparaciones. Los objetos arrojados que rebotan pueden lesionar gravemente los ojos.
10. Utilice zapatos de trabajo resistentes, de suela fuerte, así como pantalones y camisas ajustados. Se recomienda vestir camisas y pantalones que cubren brazos y piernas y usar zapatos con puntera de acero. Nunca haga funcionar la máquina descalzo, con sandalias, zapatos resbalosos o livianos (por ej. de lona).
11. No ponga las manos ni los pies cerca de las piezas rotatorias ni debajo de la plataforma de corte. El contacto con las cuchillas puede amputar dedos, manos o pies.
12. Una cubierta de descarga faltante o dañada puede provocar lesiones por contacto con la cuchilla o por objetos arrojados.
13. Muchas lesiones ocurren como resultado de pasar la cortadora sobre los pies durante una caída luego de resbalar o tropezar. No se sostenga de la cortadora si se está cayendo, suelte la barra de control inmediatamente.
14. Nunca tire la cortadora hacia usted mientras camina. Si debe retroceder con la cortadora para evitar una pared u obstáculo, mire primero abajo y atrás para evitar tropezarse y luego siga estos pasos:
 - a. Retroceda de la cortadora hasta estirar completamente los brazos.
 - b. Asegúrese que tiene buen equilibrio y está bien parado.
 - c. Jale la cortadora lentamente hacia usted, no más de la mitad de la distancia entre usted y la cortadora.
 - d. Repita estos pasos tantas veces como sea necesario.
15. No opere esta cortadora bajo los efectos del alcohol o las drogas.
16. No enganche el mecanismo autopulsado en las máquinas equipadas mientras arranca el motor.
17. El mecanismo de control de la cuchilla es un dispositivo de seguridad. Nunca intente anular su funcionamiento. De hacerlo, dejarían de operar los dispositivos de seguridad y podrían producirse lesiones personales por el contacto con la cuchilla giratoria. El control de la cuchilla debe funcionar bien en ambas direcciones y regresar automáticamente a la posición desengranada cuando se lo suelta.
18. Nunca opere la cortadora sobre césped húmedo. Asegúrese siempre de estar bien parado. Si resbala y cae puede lesionarse gravemente. Si siente que pierde el equilibrio, suelte inmediatamente la manija de control de la cuchilla y la misma dejará de rotar en tres segundos.
19. Úsela solamente con luz natural o con buena luz artificial. Camine, nunca corra.
20. Detenga la cuchilla cuando cruce sendas, senderos o caminos de grava.
21. Si la máquina comenzara a vibrar de manera anormal, detenga el motor, y busque inmediatamente la causa. La vibración generalmente advierte que hay algún problema.
22. Apague el motor y espere hasta que la cuchilla se detenga completamente antes de retirar el colector de césped o de desbloquear la tolva. La cuchilla continúa rotando por unos cuantos segundos después de que se suelta el control de la cuchilla. Nunca coloque ninguna parte del cuerpo en el área de la cuchilla hasta que esté seguro de que la misma ha detenido su movimiento giratorio.
23. Nunca opere la cortadora sin los escudos apropiados, la cubierta de descarga, el colector de césped, el control de la cuchilla u otros dispositivos de seguridad y protección en su lugar y funcionando. Nunca opere la cortadora si los dispositivos de seguridad están dañados. De lo contrario podrían producirse lesiones personales.
24. El silenciador y el motor se calientan y pueden causar quemaduras. No lo toque.
25. Nunca intente ajustar una rueda o la altura de corte mientras el motor está en marcha.
26. Utilice solamente repuestos y accesorios manufacturados para esta máquina por el fabricante. De lo contrario podrían producirse lesiones personales.
27. Para encender el motor, tire lentamente de la cuerda hasta sentir resistencia, luego tire rápidamente. El repliegue rápido de la cuerda de arranque (retroceso o rebote) le jalará la mano y el brazo hacia el motor más rápido de lo que usted tarda en soltarla. Puede llegar a causar huesos rotos, fracturas, hematomas y esguinces.
28. Si se presentan situaciones que no están previstas en este manual, tenga cuidado y use el sentido común. Comuníquese con Atención al cliente para solicitar ayuda o el nombre del distribuidor de servicio más cercano.

Funcionamiento en pendiente

Las pendientes son uno de los principales factores asociados a los accidentes por derrapes y caídas y pueden ocasionar lesiones graves. El funcionamiento en pendiente exige mayor precaución. La máquina es pesada y puede acelerar al descender una pendiente. Debe estar preparado para mantener el control de la máquina. Si no se siente seguro en una pendiente, no corte el césped. Para su seguridad, use el indicador de pendientes que se adjunta a este manual para medir la pendiente antes de operar la máquina en una zona inclinada. Si la pendiente supera los 15°, no corte el césped.

Haga lo siguiente:

1. Corte en sentido transversal a la cara de la pendiente; nunca hacia arriba y abajo, a fin de evitar perder el control.
2. Tenga mucho cuidado al cambiar de dirección en las pendientes; gire hacia la parte superior de la pendiente, no hacia abajo.
3. Esté atento a los agujeros, raíces, rocas, objetos ocultos o montículos que puedan hacerlo resbalar o tropezar. El césped alto puede ocultar obstáculos.
4. Asegúrese siempre de estar bien parado. Si resbala y cae puede lesionarse gravemente. Si siente que pierde el equilibrio, suelte inmediatamente la manija de control de la cuchilla y la cuchilla dejará de girar en tres (3) segundos.

No haga lo siguiente:

1. No corte el césped cerca de caídas, zanjas o terraplenes, puede perder el equilibrio.
2. No corte en pendientes mayores de 15° como ilustra el indicador de pendientes.
3. No corte el césped húmedo. Si no está firmemente parado, puede resbalar.

Niños

Pueden ocurrir accidentes trágicos si el operador no está atento a la presencia de niños. Por lo general a los niños les atraen las cortadoras y la actividad de cortar el césped. No entienden los riesgos ni los peligros. Nunca suponga que los niños permanecerán en el lugar donde los vio por última vez.

1. Mantenga a los niños fuera del área de trabajo y bajo estricta vigilancia de un adulto responsable además del operador.
2. Esté alerta y apague la cortadora si un niño ingresa al área.
3. Antes de moverse hacia atrás y mientras lo esté haciendo, mire hacia atrás y cuide que no haya niños.
4. Tenga mucho cuidado cuando se aproxime a las esquinas ciegas, puertas, arbustos, árboles u otros objetos que puedan obstaculizarle la vista de un niño que pudiese correr hacia la cortadora.
5. Mantenga a los niños alejados de los motores en marcha o calientes. Pueden sufrir quemaduras con un silenciador caliente.
6. No permita nunca que los niños menores de 14 años utilicen esta máquina. Los niños de 14 años en adelante deben leer y entender las instrucciones y las normas de seguridad contenidas en este manual y en la máquina, y deben ser entrenados y supervisados por un adulto.
7. Después de parar el motor, extraiga la llave de arranque eléctrico (si se cuenta con una) y guárdela en un lugar seguro fuera del alcance de los niños.

Servicio

Manejo seguro de la gasolina:

1. Para evitar lesiones personales o daños materiales tenga mucho cuidado al manipular la gasolina. La gasolina es sumamente inflamable y sus vapores pueden causar explosiones. Se puede lesionar gravemente si se derrama gasolina sobre el cuerpo o la ropa ya que se puede prender fuego. Lávese la piel y cámbiese de ropa de inmediato.
2. Utilice sólo los recipientes para gasolina autorizados.
3. Nunca llene los recipientes dentro de un vehículo o un camión o un remolque con recubrimiento plástico. Coloque siempre los recipientes en el piso y lejos del vehículo antes de llenarlo.
4. Retire el equipo a gasolina del camión o remolque y llénelo en el piso. Si esto no es posible, llene el equipo en un remolque con un recipiente portátil, en vez de hacerlo desde una boquilla dispensadora de gasolina.
5. En todo momento mantenga la boquilla en contacto con el borde del depósito de combustible o con la abertura del recipiente, hasta terminar la carga. No utilice un dispositivo de apertura/cierre de la boquilla.

6. Apague los cigarrillos, puros, pipas y toda otra fuente de combustión.
7. Nunca cargue combustible en la máquina en espacios cerrados porque los vapores inflamables podrían acumularse en el lugar.
8. Nunca saque el tapón de la gasolina ni agregue combustible mientras el motor está caliente o en marcha. Deje que el motor se enfríe por lo menos dos minutos antes de volver a cargar combustible.
9. Nunca llene en exceso el depósito de combustible. Llene el tanque a no más de 1 pulgada por debajo de la base del cuello del tapón de carga, para permitir la expansión del combustible.
10. Vuelva a colocar el tapón de combustible y ajústelo bien.
11. Limpie el combustible que se haya derramado sobre el motor y el equipo. Traslade la máquina a otra zona. Espere 5 minutos antes de encender el motor.
12. Nunca guarde la máquina o el recipiente de combustible cerca de una llama expuesta, chispas o aparatos con piloto como por ejemplo, calentadores de agua, calefactores, hornos, secadores de ropa u otros aparatos a gas.
13. Para reducir el riesgo de incendio, mantenga la máquina limpia de pasto, hojas y residuos acumulados. Limpie los derrames de aceite o combustible y saque todos los residuos embebidos en combustible.
14. Deje que la máquina se enfríe por lo menos 5 minutos antes de guardarla.

Servicio general:

1. Nunca encienda el motor en espacios cerrados o en una zona con poca ventilación. El escape del motor contiene monóxido de carbono, un gas inodoro y letal.
2. Antes de limpiar, reparar o inspeccionar la máquina, compruebe que la cuchilla y todas las partes móviles se hayan detenido. Desconecte los cables de las bujías y colóquelos de manera que hagan masa contra el motor, y extraiga la llave de arranque eléctrico (si se cuenta con una) para evitar que alguien encienda accidentalmente el motor.
3. Revise los pernos de montaje de la cuchilla y del motor a intervalos frecuentes para verificar que estén bien apretados. Además, debe inspeccionar visualmente la cuchilla en busca de daños (por ejemplo, abolladuras, desgaste, roturas). Reemplace la cuchilla únicamente con equipo original del fabricante (OEM) listado en este manual. "¡El uso de repuestos que no cumplen con las especificaciones del equipo original puede resultar en rendimiento inadecuado y puede comprometer la seguridad!".
4. Las cuchillas de las cortadoras son muy filosas y podría cortarse. Envuelva la cuchilla o utilice guantes y exteme las precauciones cuando les haga mantenimiento.
5. Mantenga todos los pernos, tuercas y tornillos bien ajustados para asegurarse de que la máquina se encuentra en condiciones seguras de funcionamiento.
6. Nunca altere los dispositivos de seguridad. Controle periódicamente que funcionen correctamente.
7. Después de golpear algún objeto extraño, detenga el motor, desconecte el cable de la bujía y conéctelo a tierra con el motor. Inspeccione minuciosamente la máquina para determinar si está dañada. Repare el daño antes de encenderla y operarla.
8. Nunca intente ajustar una rueda o la altura de corte mientras el motor está en marcha.
9. Los componentes del colector de césped, la cubierta de descarga y el escudo de recorrido, están sujetos a desgaste y daños que podrían dejar expuestas las partes en movimiento o permitir que se arrojen objetos. Para proteger su seguridad, verifique frecuentemente todos los componentes y reemplácelos inmediatamente sólo por repuestos de los fabricantes del equipo original (O.E.M.) listados en este manual. "¡El uso de repuestos que no cumplen con las especificaciones del equipo original puede resultar en rendimiento inadecuado y puede comprometer la seguridad!".
10. No cambie la configuración del regulador del motor ni acelere demasiado el motor. El regulador del motor controla la velocidad máxima de funcionamiento seguro del motor.
11. Verifique frecuentemente la línea de combustible, el depósito, el tapón, y los accesorios buscando rajaduras o pérdidas. Reemplace cuando sea necesario.
12. No dé arranque al motor si no está la bujía de encendido.
13. Mantenga o reemplace las etiquetas de seguridad e instrucciones según sea necesario.
14. Observe las leyes y normas aplicables para la eliminación adecuada de residuos. La eliminación incorrecta de líquidos o materiales puede dañar el medio ambiente.

15. Según la Comisión de Seguridad de Productos para el Consumidor de los Estados Unidos (CPSC) y la Agencia de Protección Ambiental de los Estados Unidos (EPA), este producto tiene una vida útil media de siete (7) años ó 140 horas de funcionamiento. Al finalizar la vida útil media haga inspeccionar anualmente esta unidad por un distribuidor de servicio autorizado para cerciorarse de que todos los sistemas mecánicos y de seguridad funcionan correctamente y no tienen excesivo desgaste. Si no lo hace, pueden producirse accidentes, lesiones o la muerte.

No modifique el motor

Para evitar lesiones graves o la muerte, no modifique el motor de ninguna manera. Si altera la configuración del regulador, el motor se puede desbocar y funcionar a velocidades que no son seguras. Nunca cambie la configuración de fábrica del regulador del motor.

Aviso referido a emisiones

Los motores que están certificados y cumplen con las normas sobre emisiones federales EPA y de California para SORE (Equipos pequeños todo terreno) están certificados para funcionar con gasolina sin plomo común y pueden incluir

los siguientes sistemas de control de emisiones: Modificación de motor (EM), catalizador oxidante (OC), inyección de aire secundaria (SAI) y catalizador de tres vías (TWC) si están instalados.

Amortiguador de chispas



ADVERTENCIA: Esta máquina está equipada con un motor de combustión interna y no debe ser utilizada en o cerca de un terreno agreste cubierto por bosque, malezas o hierba excepto que el sistema de escape del motor esté equipado con un amortiguador de chispas que cumpla con las leyes locales o estatales correspondientes (en caso de existir).

Si se utiliza un amortiguador de chispas el operador lo debe mantener en condiciones de uso adecuadas. En el Estado de California, las medidas anteriormente mencionadas son exigidas por ley (Artículo 4442 del Código de Recursos Públicos de California). Es posible que existan leyes similares en otros estados. Las leyes federales se aplican en los territorios federales. Puede conseguir el amortiguador de chispas para el silenciador a través de su distribuidor de mantenimiento de motores autorizado más cercano o poniéndose en contacto con el departamento de servicios, P.O. Box 361131 Cleveland, Ohio 44136-0019.

Símbolos de seguridad

En esta página se presentan y describen los símbolos de seguridad que pueden aparecer en este producto. Lea, comprenda y siga todas las instrucciones incluidas en la máquina antes de intentar armarla y hacerla funcionar.

Símbolo	Descripción
	LEA LOS MANUALES DEL OPERADOR Lea, comprenda y siga todas las instrucciones incluidas en los manuales antes de intentar armarla y hacerla funcionar.
	PELIGRO — CUCHILLAS GIRATORIAS Para reducir el riesgo de lesiones, mantenga alejados manos y pies. No haga funcionar sin que la tapa de descarga o el colector de césped se encuentren en el lugar que corresponde. Si están dañados, reemplácelos inmediatamente.
	PELIGRO — OBSERVADORES No debe cortar el césped cuando hay niños u otras personas alrededor.
	PELIGRO — CORTE DE MANOS/PIES Mantenga las manos y los pies alejados de las piezas giratorias.
	PELIGRO — ARROJA DESECHOS Retire los objetos que puedan ser arrojados por la cuchilla en cualquier dirección. Use gafas de seguridad.
	PELIGRO — PENDIENTES Tenga más precaución en las pendientes. La máquina es pesada y puede acelerar al descender una pendiente. Debe estar preparado para mantener el control de la máquina. Para evitar perder el control, desplácese en sentido transversal a la pendiente, no hacia arriba y abajo. Al girar, gire hacia la parte superior de la pendiente, no hacia abajo. No pade las pendientes que superen los 15°.
	ADVERTENCIA—LA GASOLINA ES INFLAMABLE Deje que el motor se enfríe por lo menos dos minutos antes de volver a cargar combustible.
	ADVERTENCIA — MONÓXIDO DE CARBONO Nunca encienda el motor en espacios cerrados o en una zona con poca ventilación. El escape del motor contiene monóxido de carbono, un gas inodoro y letal.
	ADVERTENCIA— SUPERFICIE CALIENTE Las piezas del motor, especialmente el silenciador, se recalientan durante el funcionamiento. Deje que el motor y el silenciador se enfríen antes de tocarlos.



¡ADVERTENCIA! Su Responsabilidad. Esta máquina motorizada sólo puede ser usada por personas que lean, comprendan y respeten las advertencias e instrucciones que aparecen en este manual y en la máquina.

¡GUARDE ESTAS INSTRUCCIONES!

Indicador de pendiente

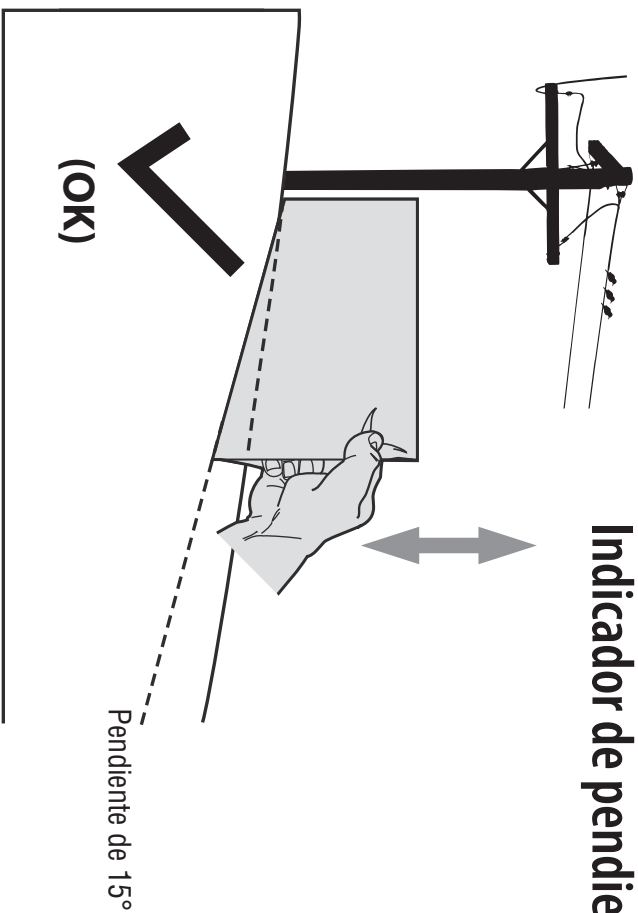


Figura 1

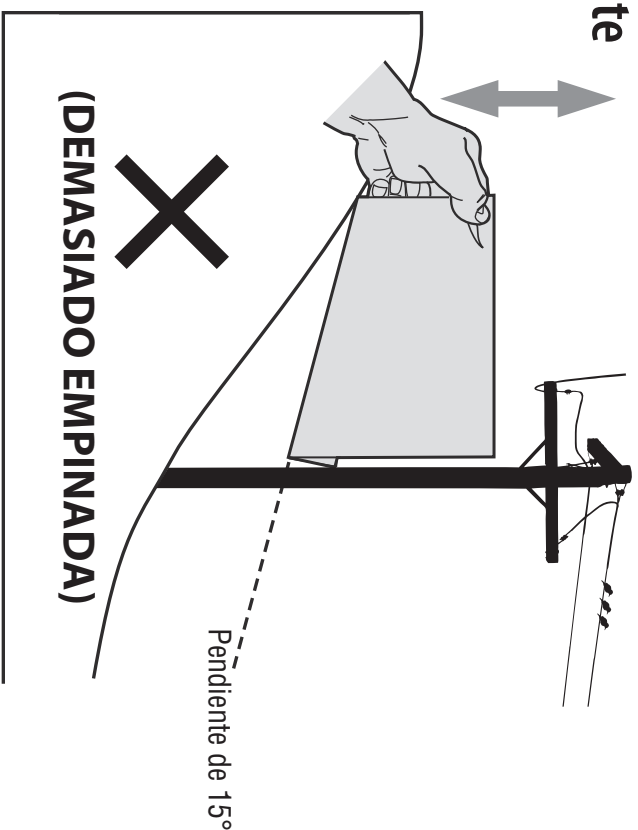


Figura 2

¡USE ESTE INDICADOR DE PENDIENTE PARA DETERMINAR SI UNA PENDIENTE ES DEMASIADO EMPINADA PARA OPERAR CON SEGURIDAD!

Para comprobar la pendiente, proceda de la siguiente manera:

1. Retire esta página y pliéguela por la línea de guiones.
2. Ubique un objeto vertical que esté sobre la pendiente o detrás de la misma (por ejemplo, un poste, un edificio, un cerco, un árbol, etc.)
3. Alinee uno de los dos lados del indicador de pendiente con el objeto (vea las Figuras 1 y 2).
4. Ajuste el indicador hacia arriba o hacia abajo hasta que la esquina izquierda toque la pendiente (vea las Figuras 1 y 2).
5. Si hay una separación debajo del indicador, la pendiente es demasiado empinada para operar con seguridad (vea la Figura 2 anterior).

Línea de guiones a 15°



¡ADVERTENCIA! Las pendientes son un factor importante relacionado con accidentes por resbalones y caídas que pueden producir lesiones graves o la muerte.

La máquina es pesada y puede acelerar al descender una pendiente. Debe estar preparado para mantener el control de la máquina. Para evitar perder el control, desplácese en sentido transversal a la pendiente, no hacia arriba y abajo. Al girar, gire hacia la parte superior de la pendiente, no hacia abajo. No utilice la máquina en pendientes de más de 15°.

Muchas gracias

Gracias por comprar este producto. Ha sido cuidadosamente diseñado para brindar excelente rendimiento si se lo hace funcionar y se lo mantiene correctamente.

Por favor lea todo este manual antes de hacer funcionar el equipo. El manual le indica cómo configurar, hacer funcionar y mantener la máquina de manera fácil y segura. Por favor asegúrese de que usted, y cualquier otra persona que utilice la máquina, siga atentamente y en todo momento las medidas de seguridad recomendadas.

De lo contrario, se podrían producir lesiones personales o daños materiales.

Toda la información contenida en este manual hace referencia a la más reciente información de producto disponible en el momento de la impresión. Revise el manual frecuentemente para familiarizarse con la máquina, sus características y su funcionamiento. Por favor tenga en cuenta que este Manual del Operador puede abarcar una variedad de especificaciones para productos de diversos modelos. Es posible que las características y funciones incluidas y/o ilustradas en este manual no se apliquen a todos los modelos. Nos reservamos el derecho de modificar las

especificaciones de los productos, diseños y equipos sin previo aviso y sin generar responsabilidad por obligaciones de ningún tipo.

Si corresponde, la información sobre las pruebas de potencia utilizadas para determinar la potencia nominal del motor equipado en esta máquina se puede consultar en www.opei.org o en el sitio web del fabricante del motor.

Si tiene algún problema o duda con respecto a esta máquina, llame a su distribuidor de servicio local autorizado o póngase en contacto directamente con nosotros. Queremos garantizar su entera satisfacción en todo momento.

En este manual, todas las referencias al lado *derecho* e *izquierdo* de la máquina se observan desde la posición del operador.

El fabricante del motor es el responsable de todas las cuestiones relacionadas con el rendimiento, potencia de salida, especificaciones, garantía y mantenimiento del motor. Para más información consulte el Manual del Propietario/Operador entregado por el fabricante del motor y que acompaña, embalado por separado, a su máquina.

Contenido de la caja

- Cortadora de césped (1)
- Abrazaderas de cable † (2)
- Manual del Operador de la cortadora de césped (1)
- Guía de arranque rápido † (1)
- Colector de césped † (1)
- Llave de arranque eléctrico † (1)
- Manual del Operador del Motor (1)
- † Si viene equipado
- Tolva de descarga lateral † (1)
- Aceite (1)
- Documento de Garantía/Piezas (1)

NOTA: Este Manual del Operador, corresponde a numerosos modelos. Las características técnicas pueden variar según los modelos. No todas las características técnicas que se incluyen en este manual se aplican a todos los modelos y la máquina que se ilustra aquí puede diferir de la suya.

NOTA: Esta unidad se envía sin gasolina ni aceite en el motor. Llene con gasolina y aceite como se indica en el Manual del operador del motor ANTES de poner en funcionamiento su cortadora.

Montaje de la manija

1. Retire cualquier material de empaque que pudiera estar entre las manijas superior e inferior.
2. Retire las perillas de aleta (a) y los pernos de carro (b) de la manija como se muestra en la Figura 2-1. No afloje o quite los tornillos de cabeza hexagonal adyacentes.

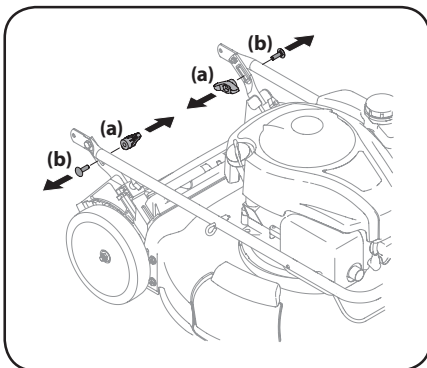


Figura 2-1

3. Mientras estabiliza la cortadora para que no se mueva, gire la manija superior hacia arriba como se muestra en la Figura 2-2. No presione los cables mientras levanta la manija.

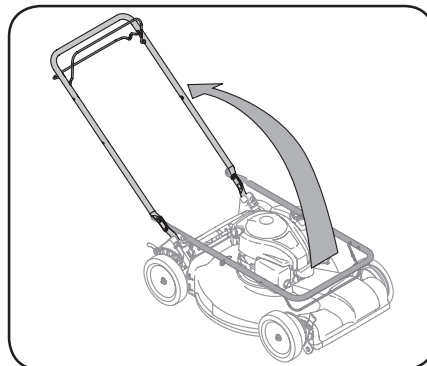


Figura 2-2

4. Retire los pernos T (a) de la ménsula de la manija como se muestra en la Figura 2-3.

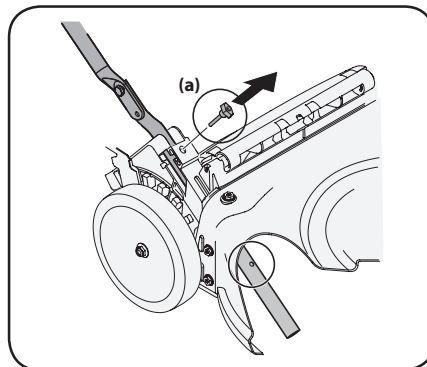


Figura 2-3

5. Siga los siguientes pasos para completar el montaje de la manija:

- a. Tire hacia arriba en la manija hasta que los orificios de la manija inferior (mostrados en la vista en corte) se alineen con los orificios de la ménsula de la manija. Vea la Figura 2-4.

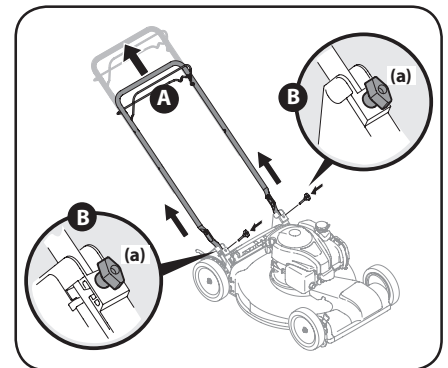


Figura 2-4

NOTA: Cuando tira hacia arriba la manija, asegúrese de no tirar de la manija completamente.

- b. Inserte los pernos T (a), quitados en el paso 4, a través de la ménsula de la manija y la manija inferior, y ajuste bien para asegurar la manija en el lugar. Vea la Figura 2-4.
- c. Vuelva a colocar las perillas de aleta (a) y los pernos de carro (b) retirados en el paso 2 en los orificios inferiores de la manija como se muestra en la Figura 2-5.

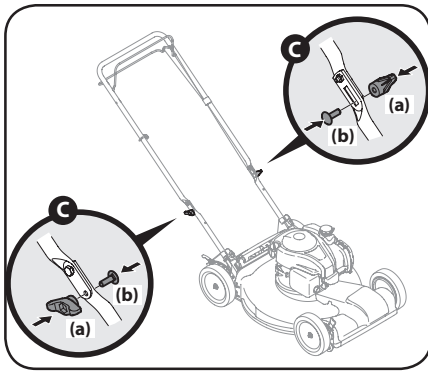


Figura 2-5

- La guía de la cuerda está unida al costado derecho de la manija superior. Afloje la perilla de aleta (a) que sujeta la guía de la cuerda. Vea la Figura 2-6.

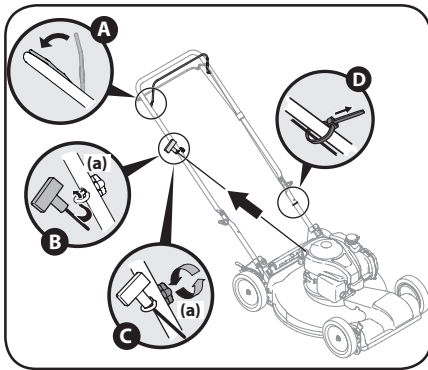


Figure 2-6

- Sostenga la cuchilla contra la manija superior.
- Lentamente tire de la manija de la cuerda de arranque del motor y deslice la cuerda de arranque en la guía de la cuerda.
- Ajuste la perilla de aleta de la guía de la cuerda (a).
- Use unión(es) de cable para sujetar el/ los cable(s) a la manija inferior.

NOTA: En determinadas unidades, utilice las dos abrazaderas de cable suministradas para ajustar el control de la cuchilla y los cables de la transmisión a la manija inferior como se muestra en la Figura 2-7.

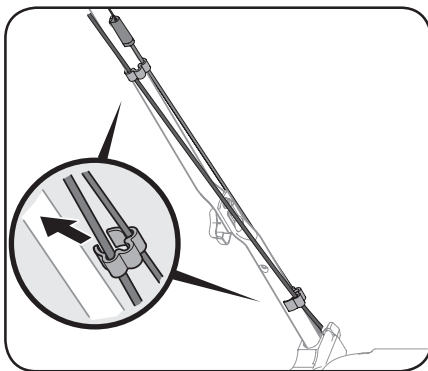


Figura 2-7

IMPORTANTE: Para reducir el desgaste y permitir la operación adecuada, asegúrese de dejar un poco de holgura en la porción superior de el/los cable(s).

Colector de césped (si está incluido)

- Siga los pasos a continuación para ensamblar el colector de recortes de césped (si fuera necesario). Asegúrese que la bolsa para recortes está con el lado derecho hacia afuera antes de ensamblar (la etiqueta de advertencia estará hacia afuera). Consulte .
 - Coloque la bolsa sobre el marco de modo que el lado de plástico negro quede en el fondo.
 - Deslice el canal plástico de la bolsa sobre los ganchos en el marco.

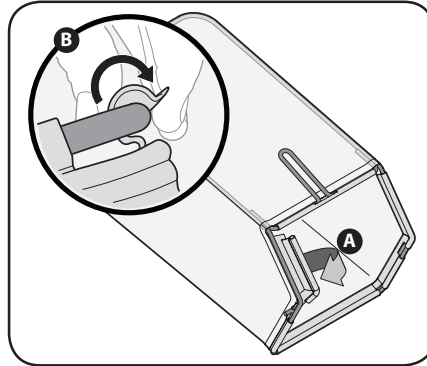


Figura 2-8

- Siga los pasos a continuación para ensamblar el colector de césped. Vea la Figura 2-9..
 - Levante la puerta de descarga trasera de la cortadora.
 - Coloque el colector de césped dentro de las ranuras de los soportes de la manija. Suelte la puerta de descarga de modo que descance sobre el colector de césped.

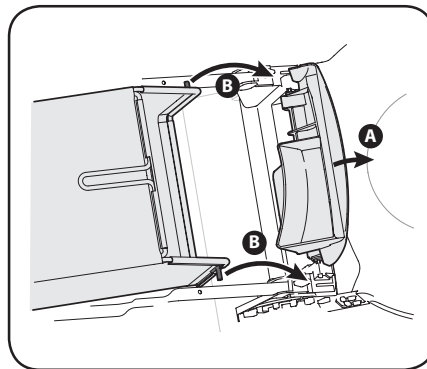


Figura 2-9

Para retirar el colector de césped, levante la puerta de descarga trasera de la cortadora. Levante el colector de césped hacia afuera de las ranuras en los soportes de la manija. Suelte la puerta de descarga trasera de la cortadora para permitirle que cierre la abertura trasera de la cortadora.

Tolva de descarga lateral

(Si está incluido)

Su cortadora puede ser enviada como abonadora. Si hace la conversión a descarga lateral, asegúrese de que el colector de césped (si está incluido) esté fuera de la unidad y que la puerta de descarga trasera (si está incluida) esté cerrada.

- En el costado de la cortadora, levante el adaptador para abono. Vea la Figura 2-10.

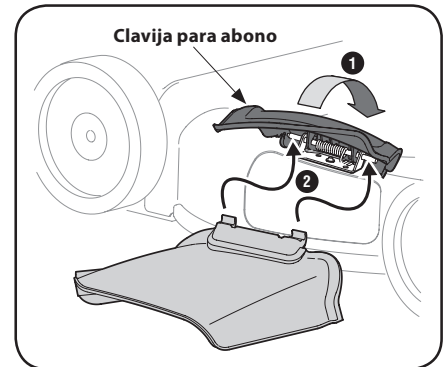


Figura 2-10

- Deslice los dos ganchos de la tolva de descarga lateral debajo del pasador de bisagra sobre el montaje del adaptador para abono. Baje el adaptador para abono.

NOTA: No retire la clavija de abono lateral en cualquier momento.

Ajustes

Altura de corte

La palanca de ajuste de altura de corte se ubica por encima de la rueda izquierda delantera y trasera.

- Tire de la palanca de ajuste de la altura de corte hacia la rueda.
- Mueva la palanca a la posición deseada para cambiar la altura de corte. Consulte la Figura 2-11 para la rueda baja y la Figura 2-12 la rueda alta.

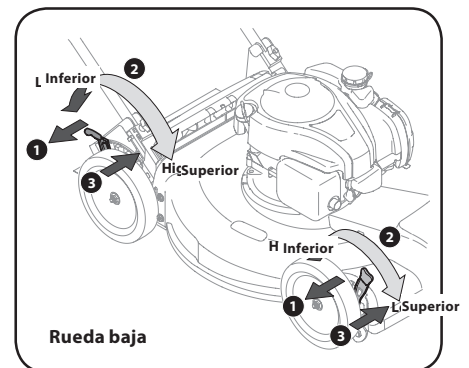


Figura 2-11

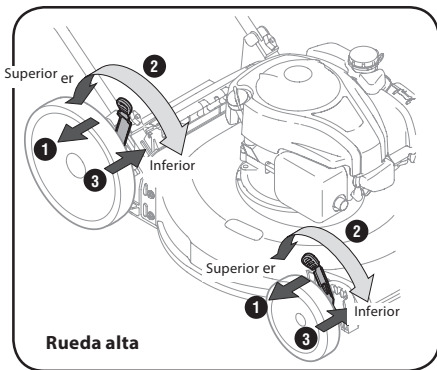


Figura 2-12

NOTA: En las cortadoras de césped con ruedas bajas, las palancas de ajuste de altura se mueven en la dirección opuesta para realizar el ajuste; en las cortadoras con ruedas altas, las palancas se mueven en la misma dirección.

IMPORTANTE: Las ruedas delanteras y traseras se deben colocar en la misma posición relativa. Cuando el terreno es agreste o irregular mueva las palancas de ajuste de la altura a una posición más alta. De esta manera se cuida más el césped.

3. Libere la palanca hacia la cubierta. Consulte las Figuras 2-11 y 2-12.

Inclinación de la manija (si está incluida)

Si está incluida, la inclinación de la manija se puede ajustar de la siguiente manera:

1. Retire las perillas de aleta (a) y los pernos de carro (b) de la manija. Vea la Figura 2-13.

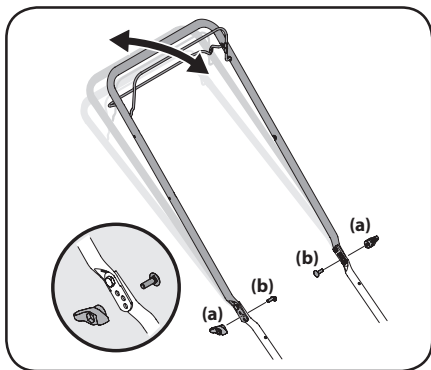


Figura 2-13

2. Coloque la manija en una de las tres posiciones que sea más cómoda. Consulte el recuadro de la Figura 2-13.
3. Sujete en la posición con las tuercas de mariposa (a) y los pernos de carro (b) que extrajo en el Paso 1.

Control de la transmisión (si está incluido)

Si está incluido, la rueda de ajuste está ubicada en el alojamiento de la manija de control de la transmisión que se utiliza para ajustar o aflojar la correa de transmisión. Deberá ajustar el control de transmisión si la cortadora no se autopropulsa con el control de transmisión enganchado o si las ruedas de la cortadora vacilan con el control de transmisión enganchado. Si ocurre algunas de estas condiciones, rote la rueda de ajuste en sentido de las agujas del reloj para ajustar el cable o en sentido contrario a las agujas del reloj para aflojar el cable. Consulte la Figura 2-14 para la ubicación en el control de transmisión de palanca única y la Figura 2-15 para el control de transmisión de doble palanca.

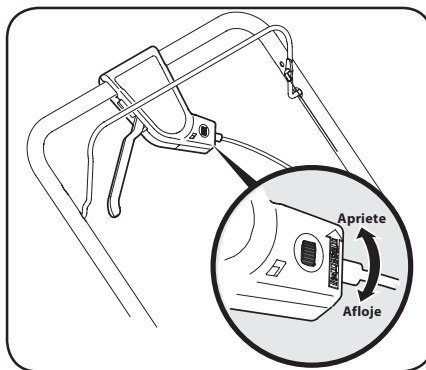


Figura 2-14

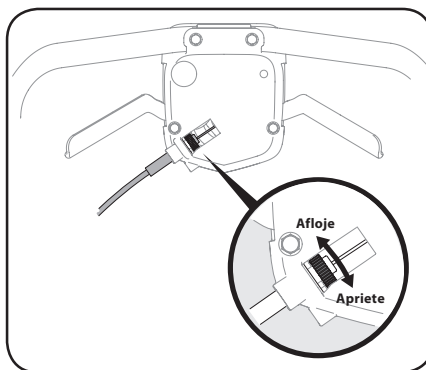


Figura 2-15

Configuración

Arrancador eléctrico (si viene incluido)

NOTA: Retire la unión de cables (a) de la caja de la batería. La unión de cables se usa solo para envío. Vea la figura 2-16.

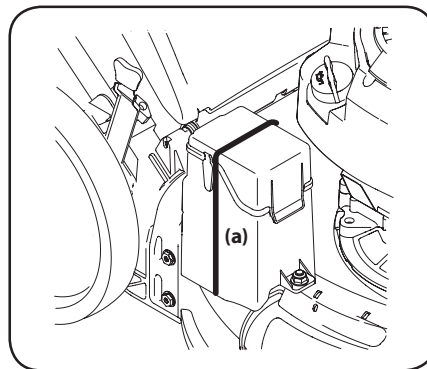


Figura 2-16

Llenado de gasolina y aceite

Consulte en el Manual del operador del motor la información adicional sobre el motor.

1. Agregue el aceite provisto antes de arrancar la unidad la primera vez.
2. Realice el mantenimiento del motor con gasolina como se indica en el Manual del operador del motor.



ADVERTENCIA: Tenga mucho cuidado al trabajar con gasolina. La gasolina es sumamente inflamable y sus vapores pueden causar explosiones. Nunca agregue combustible a la máquina en espacios cerrados ni mientras el motor está caliente o funcionando. Apague cigarrillos, cigarros, pipas y otras fuentes de combustión.

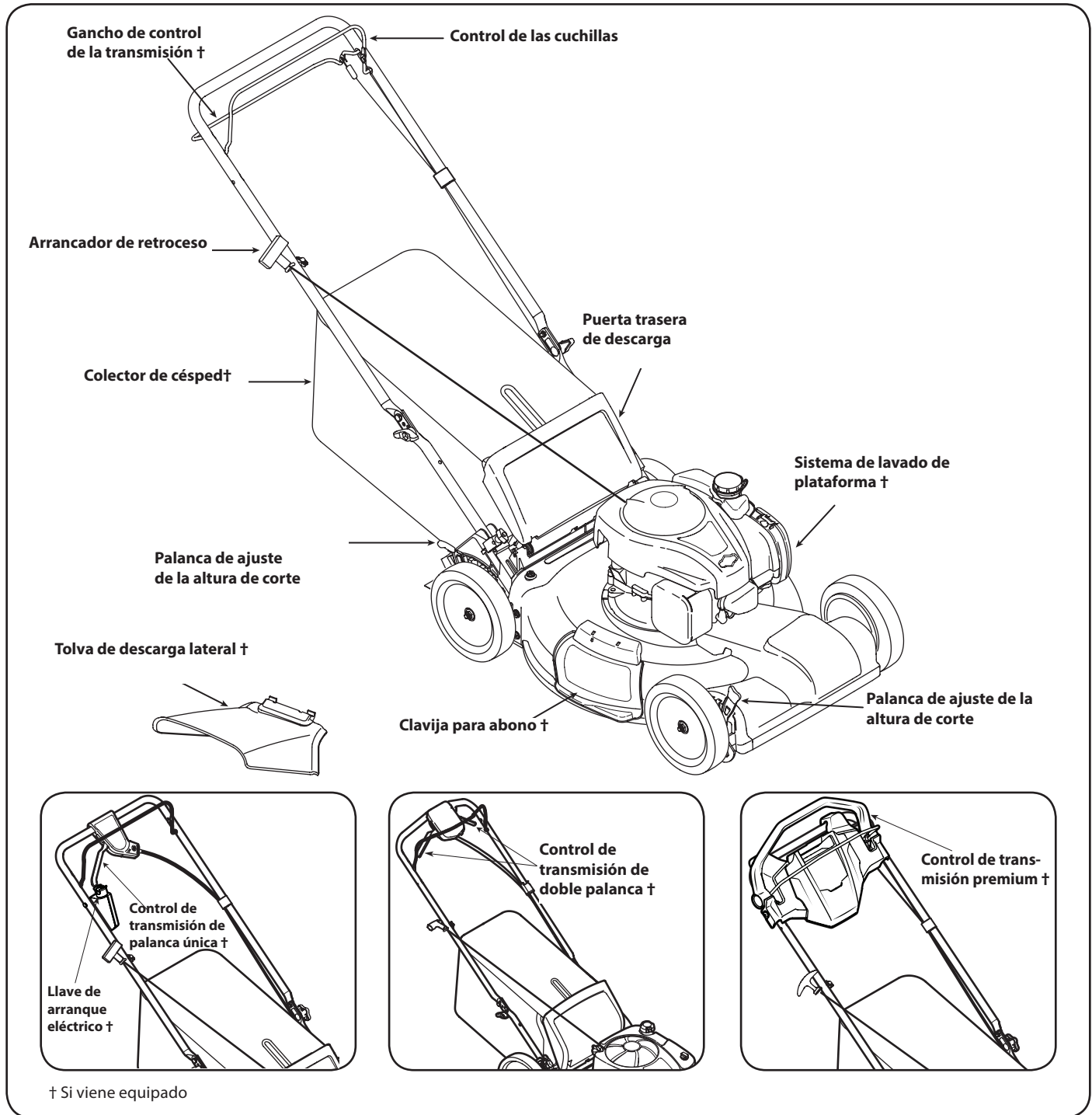


Figura 3-1

Control de las cuchillas

El control de la cuchilla está unido a la manija superior de la cortadora. Presione el control de la cuchilla contra la manija superior para operar la unidad. Suéltelo para detener el motor y la cuchilla.



ADVERTENCIA: El mecanismo de control de la cuchilla es un dispositivo de seguridad. Nunca intente anular su funcionamiento.

Gancho de control de la transmisión (si está incluido)

El gancho de control de la transmisión se encuentra ubicado por debajo de la manija superior y se utiliza para enganchar la transmisión. Apriételo contra la manija superior para enganchar la transmisión; libérela para detener la cortadora.

Control de transmisión de palanca única (si está incluido)

El control de transmisión de palanca única se encuentra ubicado en la parte superior de la manija superior y se utiliza para enganchar la transmisión. Apriételo contra la manija superior para enganchar la transmisión; libérela para disminuir la velocidad o detener la cortadora.

Control de transmisión de doble palanca (si está incluido)

Los controles de transmisión de doble palanca se encuentran ubicados en la parte superior de la manija superior y se utilizan para enganchar la transmisión. Apriete los controles derecho, izquierdo, o ambos, derecho e izquierdo contra la manija superior para enganchar la transmisión; libérela/los para reducir la velocidad o detener la cortadora.

Control de la transmisión premium **(si está incluido)**

El control de la transmisión premium se encuentra ubicado en la manija superior y se utiliza para enganchar la transmisión. Al empujar el control hacia adelante, la transmisión quedará enganchada. Cuanto más lejos se empuje el control hacia adelante, más rápido avanzará. Cuando se libera la presión del control, éste volverá a la posición neutra y la transmisión se desenganchará.

Palanca de ajuste de la altura de corte

Una palanca de ajuste está ubicada en la rueda trasera derecha y otra en la rueda delantera derecha. Ambas palancas deben estar en la misma posición relativa para asegurar un corte uniforme. Para ajustar la altura de corte, consulte el Ajuste de la altura de corte en página 7.

NOTA: En ciertos modelos, la palanca de ajuste de altura de corte delantera está ubicada por encima de la rueda izquierda delantera.

Colector de césped (si está incluido)

El colector de césped, ubicado en la parte trasera de la cortadora, se usa para embolsar los recortes del césped para desecharlos. Cuando se llena la bolsa, retirela a través de las manijas utilizando la manija del colector de césped y vacíela.

Tapón de abonadora **(si está incluido)**

El adaptador para abono se utiliza únicamente para propósitos de abono. En vez de recolectar los recortes del césped en un colector de césped o tolva de descarga lateral, algunos modelos de cortadora tienen la opción de recircular los recortes en el césped. Esto se llama abonar.

Tolva de descarga lateral **(Si está incluido)**

Su cortadora puede ser enviada como abonadora. Para descargar los recortes de césped por el costado, siga las instrucciones de la sección Tolva de descarga lateral en página 7 para acoplar la tolva de descarga lateral.



ADVERTENCIA: Mantenga sus manos y pies alejados del área de la tolva sobre la plataforma de corte. Consulte la etiqueta de advertencias en la unidad.

Sistema de lavado de plataforma **(si está incluido)**

La plataforma de su cortadora puede estar equipada con un pico de lavado de plataforma de sujeción rápida como parte del sistema de lavado de plataforma. Utilice el sistema de lavado de plataforma para quitar los recortes de césped de la parte inferior de la plataforma.

Arrancador de retroceso

El arrancador de retroceso está unido a la manija superior derecha. Para arrancar la unidad colóquese detrás de la misma y tire del cordel del arrancador de retroceso.

Botón del arrancador eléctrico **(si viene incluido)**

El botón del arrancador eléctrico se encuentra del lado derecho de la manija superior. Es una llave desmontable y botón y se provee sólo en los modelos de arranque eléctrico.

NOTA: En determinadas unidades, el arranque eléctrico se activa con una llave giratoria desmontable.

Arranque y detención del motor

Consulte el Manual del Operador del motor para obtener instrucciones sobre cómo arrancar y parar el motor.

Uso de la cortadora de césped

Asegúrese de que el césped está libre de piedras, palos, cables u otros objetos que pudiesen dañar la cortadora o el motor. Dichos objetos pueden ser arrojados accidentalmente por la cortadora en cualquier dirección y provocar lesiones personales graves al operador, a otras personas o al equipo.

Gancho de control de la transmisión

1. Una vez que el motor esté funcionando, apriete el gancho de control de transmisión contra la manija superior para propulsar la cortadora.
2. Libere el gancho de control de transmisión para detener la cortadora.

Control de la transmisión de palanca única

1. Una vez que el motor esté funcionando, apriete el control de la transmisión de palanca única contra la manija superior para propulsar la cortadora.
2. Libere el control de la transmisión de palanca única para disminuir la velocidad o detener la cortadora.

Controles de transmisión de doble palanca

1. Una vez que el motor esté funcionando y mientras sigue oprimiendo el control de la cuchilla, apriete cualquiera de los controles de la transmisión (o ambos) contra la manija superior para propulsar la cortadora. Vea la Figura 3-2.

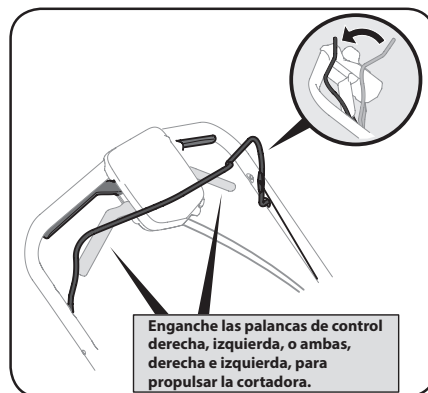


Figura 3-2

2. Libere los controles de la transmisión de doble palanca para disminuir la velocidad o detener la cortadora.

Control de transmisión premium

1. Una vez que el motor esté funcionando y mientras mantiene juntos los controles de la transmisión y la cuchilla, empuje el control de la transmisión hacia adelante para propulsar la cortadora. Cuanto más lejos se empuje el control hacia adelante, más rápido avanzará.
2. Cuando se libera la presión del control, éste volverá a la posición neutra y la transmisión se desenganchará.

NOTA: Para facilitar el uso, mientras sujeta los controles, simplemente trabe su muñeca y sus codos y camine - la unidad se ajustará automáticamente a su velocidad.



ADVERTENCIA: Al hacer funcionar la cortadora de césped puede ser que arroje objetos extraños a los ojos, lo cual puede dañarlos gravemente. Utilice siempre gafas de seguridad durante el funcionamiento de la cortadora o mientras hace ajustes o la repara.

Uso de la abonadora **(si está incluida)**

Para abonar el césped, retire la tolva de descarga lateral (si está incluido) o el colector de césped (si está incluido) y deje que la puerta de descarga trasera (si está incluida) cierre la abertura trasera de la cortadora. Para un abono eficiente, no corte césped húmedo. Si el césped ha crecido más de cuatro pulgadas, no se recomienda el uso de abono. En ese caso, use el colector de césped para embolsar los recortes.

Uso del colector de césped **(si está incluido)**

Utilice el colector de césped para recoger recortes mientras opera la cortadora.

1. Acople el colector de césped siguiendo las instrucciones de la sección de Colector de césped en la página 7. Los recortes de césped son recolectados en la bolsa de forma automática a medida que pasa la cortadora. Opere la cortadora hasta que la bolsa de recolección esté llena.
2. Detenga el motor por completo soltando la manija de control de la cuchilla. Compruebe que la unidad se haya detenido por completo.
3. Para retirar la bolsa, levante la puerta de descarga y tire de la bolsa de recolección hacia arriba, apartándola de la cortadora. Deseche los recortes de césped y vuelva a colocar la bolsa cuando haya terminado.



ADVERTENCIA: Si golpea un objeto extraño, detenga el motor. Retire el cable de la bujía, inspeccione detenidamente la cortadora para ver que no tenga daños, y repare el daño antes de volver a encender y operar. El exceso de vibración de la cortadora durante la operación es una indicación de daño. Se debe inspeccionar y reparar la unidad lo antes posible.

Mantenimiento

Recomendaciones generales

- Respete siempre las reglas de seguridad al realizar tareas de mantenimiento.
- La garantía de esta cortadora no cubre elementos que han estado sujetos al mal uso o la negligencia del operador. Para recibir el reembolso total de la garantía, el operador deberá mantener la cortadora como se indica en este manual.
- El cambio de la velocidad controlada del motor invalidará la garantía del motor.
- Todos los ajustes deben ser inspeccionados al menos una vez por temporada.
- Revise periódicamente todos los sujetadores y compruebe que estén bien ajustados.



ADVERTENCIA: Detenga siempre el motor, déjelo enfriar, desconecte la bujía y haga masa contra el motor antes de realizar cualquier tarea de mantenimiento a su máquina.

Lubricación

1. Lubrique los puntos en la cuchilla y los controles de transmisión al menos una vez cada estación con aceite ligero. Estos controles deben funcionar libremente en ambas direcciones. Vea la Figura 4-1.

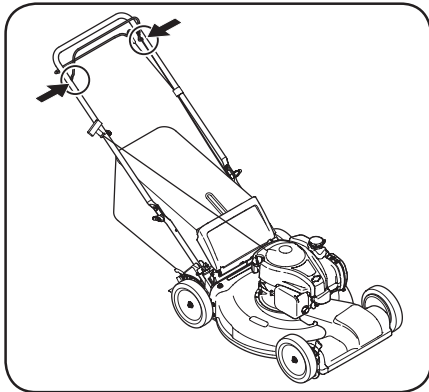


Figura 4-1

2. La transmisión está prelubricada y sellada en la fábrica y no requiere lubricación.
3. Consulte el Manual del operador del motor para ver el programa de lubricación del motor y las instrucciones para su lubricación.

Cuidado de la plataforma

Debe limpiar la parte inferior de la plataforma de la cortadora después de cada uso para prevenir la acumulación de recortes de césped u otros desechos. Consulte los siguientes pasos para una limpieza adecuada.

1. Deje el motor en marcha hasta que se acabe el combustible. No intente verter combustible del motor. Desconecte el cable de la bujía. Consulte el Manual del operador del motor.
2. Incline la cortadora de manera que quede apoyada sobre la caja. Mantenga hacia arriba el lateral donde se encuentra el filtro de aire. Sostenga firmemente la cortadora.



ADVERTENCIA: Nunca incline la cortadora más de 90 grados en ninguna dirección y no deje la cortadora inclinada por ningún período de tiempo. Se puede filtrar aceite dentro de la parte superior del motor y causar problemas de arranque.

3. Raspe y limpie la parte inferior de la plataforma mediante el uso de una herramienta adecuada.
4. Vuelva a colocar la cortadora sobre sus ruedas en el suelo.

Cuidados del motor

A continuación se presenta una lista de tareas de mantenimiento necesarias para el buen funcionamiento de la cortadora. Consulte el Manual del operador del motor para ver una lista detallada e instrucciones.

- Mantenga el nivel de aceite como se indica en el Manual del operador del motor.
- Limpie el filtro de aire cada 25 horas en condiciones de uso normal. Limpie a intervalos de pocas horas cuando haya mucho polvo. El bajo rendimiento del motor y el ahogamiento normalmente son indicaciones de que el filtro de aire necesita mantenimiento. Para realizar el mantenimiento del filtro de aire, consulte el Manual del operador del motor.
- Limpie la bujía y reajuste la separación por lo menos una vez por temporada. Se recomienda reemplazar la bujía al comenzar cada temporada de corte de césped. Consulte el Manual del operador del motor para ver el tipo de bujía correcto y las especificaciones de la separación.
- Limpie periódicamente el motor con un trapo o cepillo. Mantenga limpia la parte superior del motor para permitir la circulación de aire apropiada. Quite todo el césped, suciedad y residuos combustibles del área del silenciador.
- Para almacenar motores entre 30 y 90 días es necesario tratarlos con un estabilizador de gasolina para evitar deterioros y la formación de depósitos de goma en el sistema de combustible o en componentes fundamentales del carburador.

Sistema de lavado de plataforma (si está incluido)

La plataforma de la cortadora puede estar equipada con un puerto de agua sobre su superficie como parte del sistema de lavado de la plataforma.

Utilice el sistema de lavado de plataforma para lavar la parte inferior de la plataforma e impedir la acumulación de sustancias corrosivas. Realice los siguientes pasos DESPUÉS DE CADA CORTE DE CÉSPED:

1. Empuje la cortadora hasta un nivel, despeje el lugar en el césped. Asegúrese de que la manguera del jardín pueda llegar a la cortadora.



PRECAUCIÓN: Asegúrese de que la tolva de descarga de la cortadora esté orientada ALEJADA de la casa, el garaje, los vehículos estacionados, etc.

2. Retire de la plataforma de la cortadora el pico de lavado de la plataforma de sujeción rápida y enrósquelo en el extremo de la manguera del jardín.
3. Una la manguera con el pico de lavado al puerto de agua que se encuentra en la superficie de la plataforma. Vea la Figura 4-2.

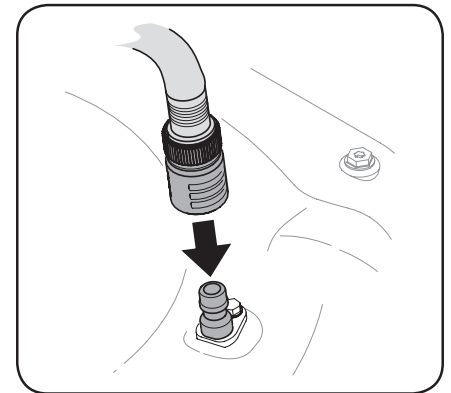


Figura 4-2

4. Abra el suministro de agua.
5. Encienda el motor, tal como se indicó anteriormente en el Manual del operador del motor.
6. Haga funcionar el motor durante dos minutos por lo menos para permitir que se seque totalmente la parte inferior de la plataforma de corte.
7. Suelte la manija de control de la cuchilla para detener el motor y la cuchilla.
8. Desconecte el agua y retire el pico de lavado de la plataforma del puerto de agua que se encuentra en la superficie de la plataforma.

Luego de limpiar la plataforma, vuelva a arrancar la cortadora. Mantenga el motor y la cuchilla en funcionamiento durante dos minutos por lo menos para permitir que se seque totalmente la parte inferior de la plataforma de corte.

Ajuste de la transmisión (si incluye transmisión premium)

El sistema de transmisión consiste de poleas, una correa y un cable que vincula la transmisión a la manija de transmisión. Como estos componentes se gastan, es posible que sea necesario el ajuste. Para ajustar la varilla de la transmisión haga lo siguiente:

1. Rote hacia arriba el accesorio del cable de la transmisión en la manija superior izquierda. Vea la Figura 4-3.

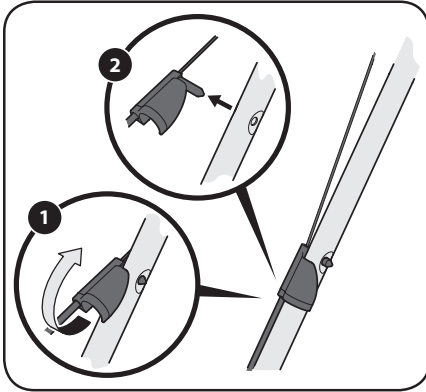


Figura 4-3

2. Tire del accesorio y sepárelo de la manija.
3. Desenganche el cable y quite el casquillo metálico de la manija de transmisión de plástico. Vea la Figura 4-4.

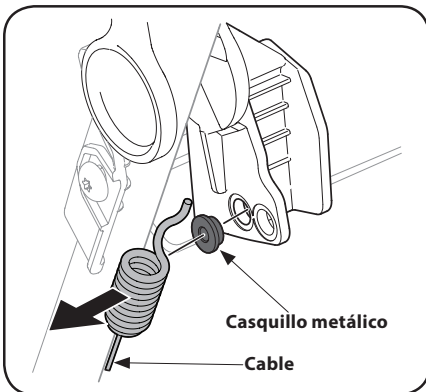


Figura 4-4

4. Reemplace el casquillo del orificio inferior y resujete el cable a través del casquillo y el orificio inferior de la manija. Vea la Figura 4-5.

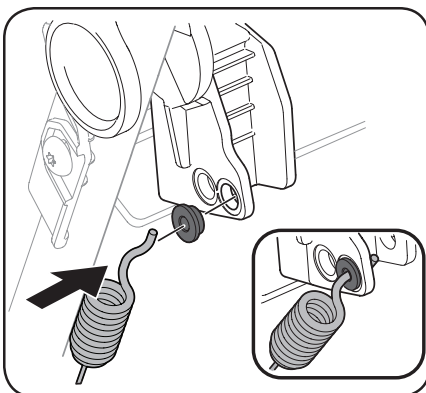


Figura 4-5

5. Vuelva a insertar el accesorio del cable de la transmisión en la manija superior y gírela hacia abajo.
6. Arranque la cortadora y compruebe el funcionamiento de la manija de transmisión.

Cuidado de la cuchilla



ADVERTENCIA: Cuando saque la cuchilla de corte para afilarla o reemplazarla, protéjase las manos usando un par de guantes gruesos o un trapo grueso para sostener la cuchilla.

Inspeccione periódicamente el adaptador de la cuchilla en busca de rajaduras, especialmente cuando golpee un objeto extraño. Reemplace según necesidad. Siga los pasos que aparecen debajo para realizar el mantenimiento de la cuchilla.

1. Deje el motor en marcha hasta que se acabe el combustible. No intente verter combustible del motor. Desconecte el cable de la bujía.
2. Gire la cortadora de césped sobre el costado y compruebe que el filtro de aire y el carburador queden mirando hacia arriba.
3. Retire el perno (a) y el soporte de la cuchilla (b) que sostienen la cuchilla y el adaptador al cigüeñal del motor. Vea la Figura 4-6.

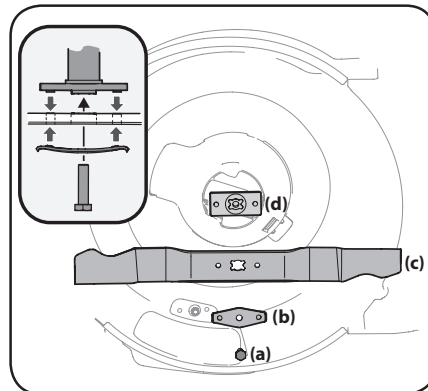


Figura 4-6

4. Saque la cuchilla (c) y el adaptador (d) del cigüeñal. Vea la Figura 4-6.
5. Saque la cuchilla del adaptador para comprobar el equilibrio. Balancee la cuchilla sobre un destornillador de eje redondo para inspeccionarla. Saque el metal del lado pesado hasta que quede bien equilibrada. Cuando afile la cuchilla, siga el ángulo original de afilado como guía. Afile cada borde de corte por igual para mantener el balance de la cuchilla.



ADVERTENCIA: Si la cuchilla está desequilibrada causará demasiada vibración al rotar a altas velocidades. Puede dañar la cortadora de césped y se puede romper, causando lesiones personales.

6. Lubrique el cigüeñal del motor y la superficie interna del adaptador de la cuchilla con aceite ligero. Deslice el adaptador de la cuchilla (d) sobre el cigüeñal del motor. Instale la cuchilla en el adaptador con el lado marcado "Grass Side" (lado del césped) (o con el número de parte) hacia el piso cuando la cortadora de césped está en posición de funcionamiento. Asegúrese que la cuchilla quede alineada y asentada en las bridas del adaptador. Vea el recuadro de la Figura 4-6.
7. Coloque el soporte de campana de la cuchilla (b) en la misma (c). Alinee las muescas del soporte de campana de la cuchilla con los orificios pequeños de la cuchilla.
8. Vuelva a colocar el perno hexagonal (a) y ajústelo según los siguientes valores de torsión: 450 lb-pulg (como mínimo), 600 lb-pulg (como máximo).

Para asegurar la operación segura de la cortadora revise periódicamente el perno de la cuchilla para determinar si está bien ajustado.

Cuidado de la correa

NOTA: Para cambiar la correa de la cortadora de césped es necesario extraer varios componentes. Solicite a un distribuidor de servicio autorizado que realice el reemplazo de la correa.

Batería de reemplazo (si está incluido)



ADVERTENCIA: Las baterías contienen ácido sulfúrico que puede causar quemaduras. No ponga en corto circuito ni dañe las baterías de ninguna manera. No coloque las baterías sobre fuego dado que pueden explotar o emitir materiales tóxicos.

1. Quite el sello de la cubierta y retire la cubierta de la batería.
2. Quite los conductores positivos y negativos de la batería y tire hacia arriba la batería para retirarla. Vea la Figura 4-7.

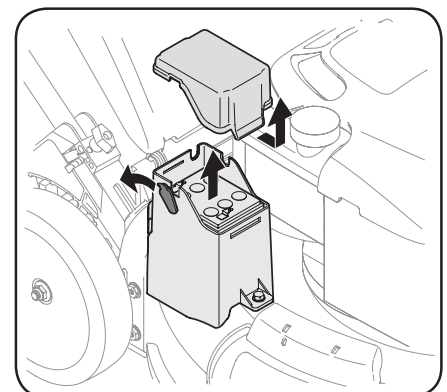


Figura 4-7

3. Reemplace con una nueva batería. Conecte el conductor positivo (rojo) al lado positivo del paquete de batería, luego conecte el conductor negativo (negro) al lado negativo. Vea la Figura 4-8.

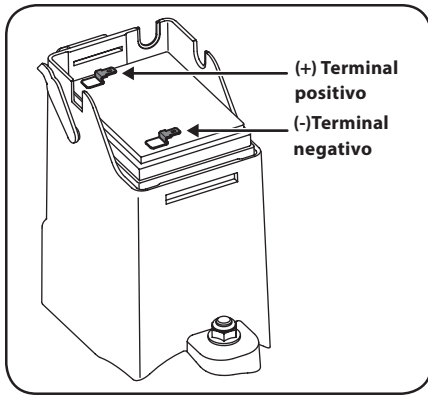


Figura 4-8

4. Vuelva a colocar la cubierta de la batería y el sello.

Carga de la batería (si está incluido)



ADVERTENCIA: La batería contiene fluido corrosivo y material tóxico; manipule con cuidado y mantenga alejado de los niños. No perforo, desensamble, dañe o prenda fuego a la batería. Durante la carga o descarga se podrían emitir gases explosivos. Utilícela en un área bien ventilada, lejos de fuentes de combustión.

NOTA: La clavija de conexión especialmente diseñada del cargador únicamente encaja en la caja de las baterías.

1. Quite el sello de la cubierta y conecte el cargador de la batería en el orificio de entrada en el costado del alojamiento de la batería. Vea la Figura 4-9.

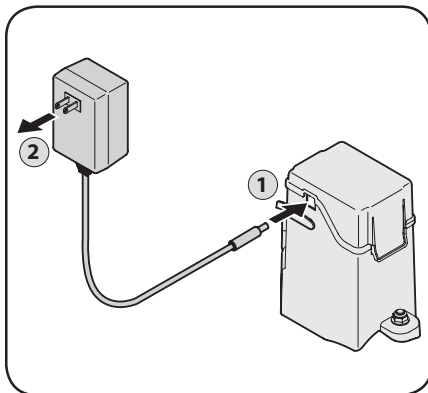


Figura 4-9

2. Inserte el enchufe del cargador de baterías en un tomacorriente residencial común de 120 voltios. Cargue la batería de 8 a 10 horas antes de usar la unidad por primera vez. No cargue por más de 12 horas. La batería únicamente necesitará cargarse en el ajuste inicial, al final de la temporada, luego de que no se haya utilizado por períodos prolongados de tiempo y según sea necesario.

NOTA: Si usted para y hace arrancar frecuentemente la cortadora de césped durante cada corte que realice en la temporada (por ejemplo, cuando realiza el embolsado), posiblemente sea necesaria una carga más frecuente.

3. Después de cargar, primero desconecte la clavija del cargador de la salida, luego desconecte el conductor del cargador de la batería y vuelva a colocar el sello de la cubierta.

IMPORTANTE: No quite el paquete de baterías del alojamiento del arrancador eléctrico por ninguna razón que no sea el reemplazo.

IMPORTANTE: Siempre conecte el conductor del cargador en el paquete de baterías en primer lugar, y luego inserte el enchufe del cargador de baterías en un tomacorriente residencial estándar de 120 voltios. Siga este orden siempre que cargue la batería.

Almacenamiento fuera de temporada

Cortadora de césped

Se deben seguir estos pasos para preparar la cortadora para almacenarla.

- Limpie y lubrique bien la cortadora como se describe en la sección de Lubricación en página 11.
- Aplicar una capa de grasa de chasis a la cuchilla de corte de la cortadora para evitar la oxidación.
- Consulte el Manual del operador del motor para obtener instrucciones sobre su almacenamiento correcto.
- Sujete la tolva de descarga lateral a la manija (si corresponde) como se muestra en la Figura 4-10.

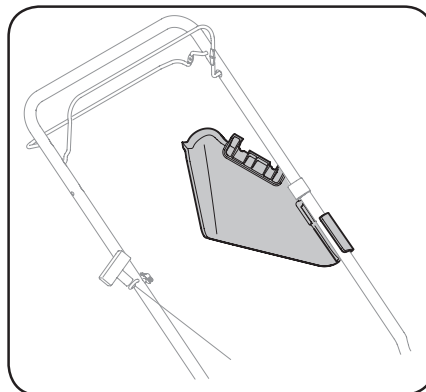


Figura 4-10

- No limpie la unidad con una lavadora a presión.
- Almacene la unidad en una zona limpia y seca. No la almacene cerca de productos corrosivos como por ejemplo fertilizantes.

Cuando almacene cualquier tipo de equipo motorizado en un galpón de depósito metálico o con poca ventilación, tenga especial cuidado de realizarle un tratamiento antioxidante al equipo. Use aceite ligero o silicona para recubrir el equipo, especialmente los cables y partes móviles de su cortadora antes de almacenarla.

Batería (Si está incluida)

- La batería debe guardarse con carga completa. El almacenamiento prolongado de una batería descargada reducirá la vida útil y la capacidad de la batería. Para la vida óptima de la batería, cárgela una vez por mes mientras esté almacenada.
- Retire la llave de arranque eléctrico (si se cuenta con una) y guárdela en un lugar seguro fuera del alcance de los niños.

Problema	Causa	Solución
El motor no arranca	<ol style="list-style-type: none"> 1. Control de la cuchilla desenganchado. 2. Se ha desconectado el capuchón de la bujía. 3. El depósito de combustible está vacío o el combustible se ha echado a perder. 4. El motor no está cebado (si está equipado con cebador). 5. La línea del combustible está bloqueada. 6. La línea del combustible está bloqueada. 7. Motor ahogado. 8. Líneas de combustible (si están instaladas) cerradas. 9. El motor no está cebado (si está equipado con cebador). 	<ol style="list-style-type: none"> 1. Engrane el control de la cuchilla. 2. Conecte el cable al capuchón de la bujía. 3. Llene el tanque con gasolina limpia y nueva. 4. Utilice el cebador del motor como se indica en el Manual del operador del motor. 5. Límpiela, ajuste la separación, o cambie la bujía. 6. Limpie la línea del combustible. 7. Espere unos minutos para reencender; no realice el cebado. 8. Abra la válvula de combustible. Consulte el Manual del operador del motor. 9. Ceba el motor. Consulte el Manual del operador del motor.
El motor no arranca con el arrancador eléctrico (Unidades de arranque eléctrico únicamente)	<ol style="list-style-type: none"> 1. La llave de arranque eléctrico no está completamente insertada. 2. La batería no está cargada. 3. El disyuntor saltó. 	<ol style="list-style-type: none"> 1. Inserte la llave de arranque eléctrico en el alojamiento del arranchador hasta que quede firme en el lugar. 2. Cargue la batería. 3. Los residuos pueden estar bloqueando el funcionamiento. Pare el motor, retire la llave de arranque eléctrico y retire la funda de la bujía. Compruebe que el pasto u otros residuos no esten obstruyendo la cuchilla. Limpie y retire con cuidado los residuos si fuera necesario. Vuelva a colocar la funda de la bujía y reinserte la llave de arranque eléctrico. Espere un minuto después de la desconexión para reposición automática del disyuntor y luego vuelva a intentar arrancar.
El funcionamiento del motor es irregular	<ol style="list-style-type: none"> 1. El capuchón de la bujía está flojo. 2. La línea del combustible está tapada o el combustible se ha echado a perder. 3. La ventilación de la tapa del combustible está obstruida. 4. Hay agua o suciedad en el sistema de combustible. 5. El depurador de aire está sucio. 6. La unidad está funcionando con el CEBADOR aplicado (si está equipado). 	<ol style="list-style-type: none"> 1. Conecte y ajuste el capuchón de la bujía. 2. Limpie la línea de combustible; llene el tanque con gasolina limpia y fresca. 3. Destape la ventilación. 4. Vacíe el tanque de combustible. Vuelva a llenar con combustible nuevo. 5. Consulte el Manual del operador del motor. 6. Presione la perilla del CEBADOR.
El motor recalienta	<ol style="list-style-type: none"> 1. El nivel de aceite del motor está bajo. 2. Restricción en el flujo de aire. 	<ol style="list-style-type: none"> 1. Llene el cárter con el aceite adecuado. 2. Limpie el área de alrededor y la parte superior del motor.
Saltos ocasionales (titubea) a alta velocidad	<ol style="list-style-type: none"> 1. La separación de la bujía es muy pequeña. 	<ol style="list-style-type: none"> 1. Ajuste la separación de la bujía. Consulte el Manual del operador del motor.

Problema	Causa	Solución
No ralentiza bien	<ol style="list-style-type: none"> 1. Bujía sucia, averiada o con exceso de separación. 2. El depurador de aire está sucio. 	<ol style="list-style-type: none"> 1. Vuelva a ajustar la separación o reemplace la bujía. 2. Consulte el Manual del operador del motor.
Vibración/ruido excesivos	<ol style="list-style-type: none"> 1. Cuchilla de corte floja o descentrada. 2. Adaptador de cuchilla o cuchilla doblada/dañada. 	<ol style="list-style-type: none"> 1. Apriete la cuchilla y el adaptador Equilibre la cuchilla. 2. Consulte a un distribuidor de servicio autorizado.
La cortadora de césped no realiza el abono del césped (si cuenta con este equipo)	<ol style="list-style-type: none"> 1. Césped mojado. 2. Césped demasiado alto. 3. Cuchilla desafilada. 	<ol style="list-style-type: none"> 1. No corte el césped cuando esté mojado; espere a que se seque para hacerlo. 2. Corte una vez a altura de corte elevada, luego vuelva a cortar a la altura deseada o haga un sendero de corte más angosto. 3. Afile o cambie la cuchilla.
Corte desigual	<ol style="list-style-type: none"> 1. La posición de las ruedas no es correcta. 2. Cuchilla desafilada. 	<ol style="list-style-type: none"> 1. Coloque las ruedas delanteras y traseras en la misma posición de altura. (ajustadores de altura de doble palanca únicamente) 2. Afile o cambie la cuchilla.
La cortadora no avanza por sí misma	<ol style="list-style-type: none"> 1. Correa mal instalada. 2. Hay desechos bloqueando el funcionamiento de la transmisión. 3. Correa dañada o desgastada. 4. El control de transmisión está flojo. 	<ol style="list-style-type: none"> 1. Compruebe la correa para ver si la polea está bien instalada y se mueve correctamente. 2. Detenga el motor, desconecte el capuchón de la bujía, y limpie los desechos. 3. Inspeccione y cambie el perno. 4. Ajuste el control de transmisión. Consulte la página 8 en Montaje y Configuración.
Alto esfuerzo de retorno	<ol style="list-style-type: none"> 1. Tirar de la cortadora de césped hacia atrás antes de que se desenganche la transmisión. 2. El control de la transmisión está muy ajustado. 	<ol style="list-style-type: none"> 1. Deje que la unidad ruede levemente hacia adelante sin que la(s) palanca(s) de la transmisión estén enganchadas antes de tirar hacia atrás. 2. Reajustar el control de la transmisión Consulte en la sección Montaje y Configuración.

MTD LLC, P.O. BOX 361131 CLEVELAND, OHIO 44136-0019
