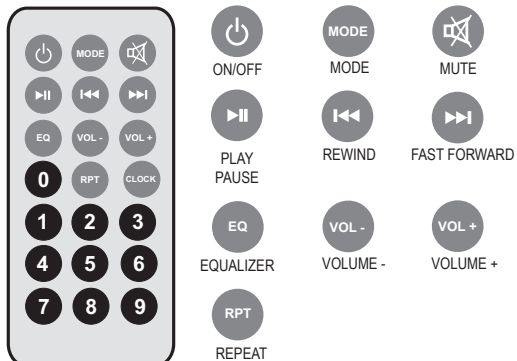
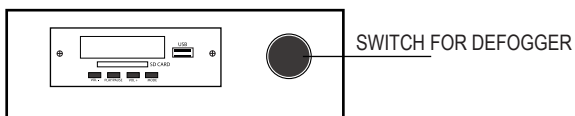


REMOTE FUNCTIONS AND SET UP INSTRUCTIONS:



NOTE: Remote will not work unless doors are open.



BLUETOOTH PLAYER

1. Press **MODE** to change to bluetooth player.
2. You will hear a startup tone when you are in the bluetooth mode.
3. Make sure the bluetooth is ON on your phone. If it is not, the player cannot detect the your phone.
4. Go to the bluetooth menu on your phone. "ZTV-CT02EA" will show up to pair with.
5. You will hear another tone when the pairing is complete.

NOTE: If your phone is not a smart phone, you will need to enter the password "0000" to connect.

SD CARD AND USB

1. Press mode and insert USB or SD Card.

TO SET CLOCK

1. Make sure the knob is powered on.
2. Press **MODE** until you see "00:00".
3. Hold **▶||** for two seconds until the hours start to blink.
4. Press **◀◀** or **▶▶** to adjust the hour.
5. Hold **▶||** again for two seconds until the minutes start to blink.
6. Press **◀◀** or **▶▶** to adjust the minutes.
7. Once the time has stopped blinking, the time is saved.

NOTE: If you power off with the knob, the time will reset.

FM RADIO

1. Hold **▶||** for two seconds and radio will search for working FM stations in your area.
2. The radio will automatically save working FM stations as presets.
3. Press **◀◀** to choose last station.
4. Press **▶▶** to choose next station.
5. You can also type in any radio station using the numbers on the remote.

MUSICHAUS[®] Medicine Cabinet Product Instruction Manual

WHLUN-7055-OR



FEATURES AT A GLANCE:



TOOLS AND FITTINGS (not supplied with the product):

- Drill
- Screwdriver
- Leveling Ruler

CARE AND MAINTENANCE:

1. Cabinet should always be cleaned with a soft, damp cloth. All parts must be wiped dry after use or cleaning. A little mild liquid soap can be added to lukewarm water to remove stubborn stains.

⚠ Never use acetic or citric, scrubbing powder or solvent-base cleaners or other chemicals.

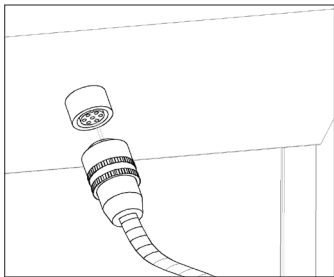
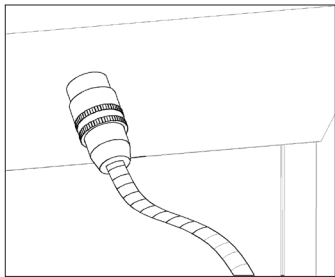
2. Mirrors should only be cleaned with a damp, soft cloth. Do not use commercial glass-cleaning agents. The mirror edges should be wiped dry only.

NOTE: We reserve the right to change the features, packing and fittings of the product without notice.

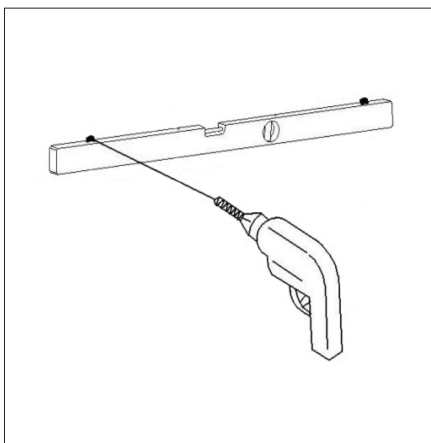
Whitehaus[®]

INSTALLATION INSTRUCTIONS

NOTE: Contact an electrician for wiring of this product.

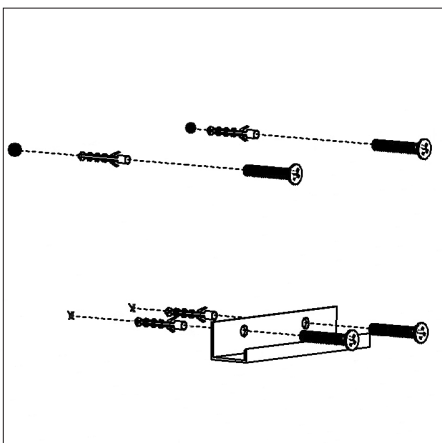


⚠ Prior to wiring installation, disconnect/unplug the detogger cable. Reconnect after installation. Cable is reconnected when you hear a tone.

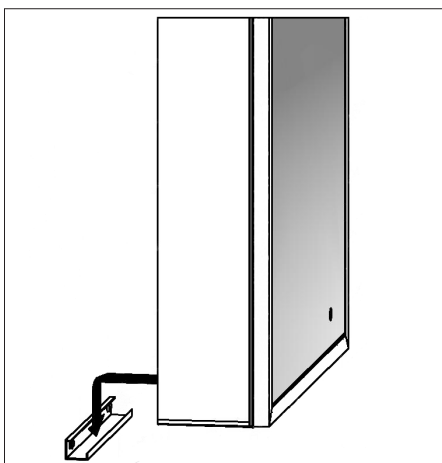


1. Level and mark holes for the brackets with a ruler. Align to recommended or preferred height.

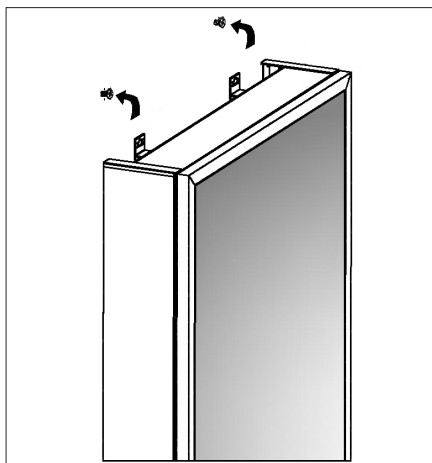
* Take proper measurements for installation brackets.



2. Screw bracket into wall.



4. Place cabinet on bracket for proper seating and secure placement.



3. Place screws through the top bracket and tighten securely.

PRODUCT FEATURES DIAGRAM



1. Speaker
2. Electrical outlet
3. Radio
4. Defogger Switch
5. Lighting Button