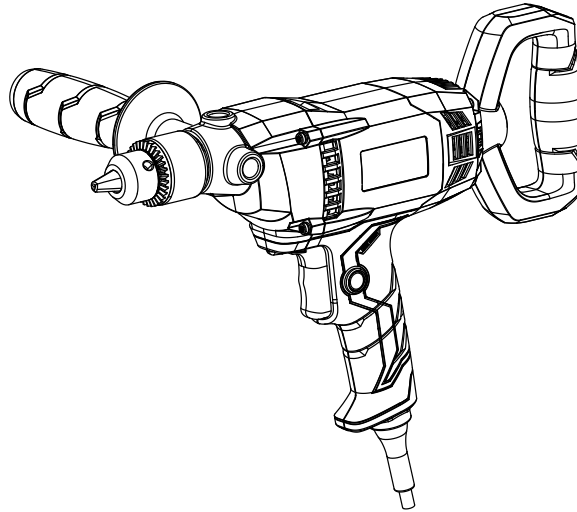




OPERATOR'S MANUAL MANUEL D'UTILISATION MANUAL DEL OPERADOR

1/2 in. MUD MIXER/DRILL

13 mm (1/2 po) MÉLANGEUR DE BOUE/PERCEUSE
13 mm (1/2 pulg.) MEZCLADORA DE LODO/TALADRO



R7122

To register your RIDGID product, please visit:
<http://register.RIDGID.com>

Pour enregistrer votre produit de RIDGID, s'il vous plaît la visite:
<http://register.RIDGID.com>

Para registrar su producto de RIDGID, por favor visita:
<http://register.RIDGID.com>

INCLUDES: Mud Mixer/Drill, Auxiliary Handle, Chuck Key, Operator's Manual

INCLUT : Mélangeur de boue/perceuse, poignée auxiliaire, clé à mandrin, manuel d'utilisation

INCLUYE: Mezcladora de lodo/taladro, mango auxiliar, llave del portabrocas, manual del operador

TABLE OF CONTENTS

- General Power Tool Safety Warnings.....2-3
- Drill Safety Warnings3
- Symbols.....4
- Electrical.....5
- Features.....6
- Assembly.....6-7
- Operation.....7-8
- Maintenance.....9
- Warranty10
- Figures (Illustrations)11-12
- Parts Ordering and ServiceBack page

TABLE DES MATIÈRES

- Règles de sécurité générales relatives aux outils électriques.....2-3
- Avertissements de sécurité relatifs perceuse3
- Symboles.....4
- Caractéristiques électriques.....5
- Caractéristiques6
- Assemblage.....6-7
- Utilisation7-8
- Entretien9
- Garantie.....10
- Figures (illustrations).....11-12
- Commande de pièces et dépannagePage arrière

ÍNDICE DE CONTENIDO

- Advertencias de seguridad para herramientas eléctrica..... 2-3
- Advertencias de seguridad taladro...3
- Símbolos.....4
- Aspectos eléctricos5
- Características.....6
- Armado6-7
- Funcionamiento7-8
- Mantenimiento.....9
- Garantía10
- Figuras (ilustraciones)..... 11-12
- Pedidos de piezas y servicio Pág. posterior

⚠ WARNING: To reduce the risk of injury, the user must read and understand the operator's manual before using this product.

⚠ AVERTISSEMENT : Pour réduire les risques de blessures, l'utilisateur doit lire et veiller à bien comprendre le manuel d'utilisation avant d'employer ce produit.

⚠ ADVERTENCIA: Para reducir el riesgo de lesiones, el usuario debe leer y comprender el manual del operador antes de usar este producto.

SAVE THIS MANUAL FOR FUTURE REFERENCE

CONSERVER CE MANUEL POUR FUTURE RÉFÉRENCE

GUARDE ESTE MANUAL PARA FUTURAS CONSULTAS

GENERAL POWER TOOL SAFETY WARNINGS

WARNING

Read all safety warnings and all instructions.

Failure to follow the warnings and instructions may result in electric shock, fire and/or serious injury.

Save all warnings and instructions for future reference. The term “power tool” in the warnings refers to your mains-operated (corded) power tool or battery-operated (cordless) power tool.

WORK AREA SAFETY

- **Keep work area clean and well lit.** Cluttered or dark areas invite accidents.
- **Do not operate power tools in explosive atmospheres, such as in the presence of flammable liquids, gases or dust.** Power tools create sparks which may ignite the dust or fumes.
- **Keep children and bystanders away while operating a power tool.** Distractions can cause you to lose control.

ELECTRICAL SAFETY

- **Power tool plugs must match the outlet. Never modify the plug in any way. Do not use any adapter plugs with earthed (grounded) power tools.** Unmodified plugs and matching outlets will reduce risk of electric shock.
- **Avoid body contact with earthed or grounded surfaces such as pipes, radiators, ranges and refrigerators.** There is an increased risk of electric shock if your body is earthed or grounded.
- **Do not expose power tools to rain or wet conditions.** Water entering a power tool will increase the risk of electric shock.
- **Do not abuse the cord. Never use the cord for carrying, pulling or unplugging the power tool. Keep cord away from heat, oil, sharp edges or moving parts.** Damaged or entangled cords increase the risk of electric shock.
- **When operating a power tool outdoors, use an extension cord suitable for outdoor use.** Use of a cord suitable for outdoor use reduces the risk of electric shock.
- **If operating a power tool in a damp location is unavoidable, use a ground fault circuit interrupter (GFCI) protected supply.** Use of a GFCI reduces the risk of electric shock.

PERSONAL SAFETY

- **Stay alert, watch what you are doing and use common sense when operating a power tool. Do not use a power tool while you are tired or under the influence of drugs, alcohol or medication.** A moment of inattention while operating power tools may result in serious personal injury.
- **Use personal protective equipment. Always wear eye protection.** Protective equipment such as dust mask, non-skid safety shoes, hard hat, or hearing protection used for appropriate conditions will reduce personal injuries.
- **Prevent unintentional starting. Ensure the switch is in the off-position before connecting to power source**

and/or battery pack, picking up or carrying the tool. Carrying power tools with your finger on the switch or energising power tools that have the switch on invites accidents.

- **Remove any adjusting key or wrench before turning the power tool on.** A wrench or a key left attached to a rotating part of the power tool may result in personal injury.
- **Do not overreach. Keep proper footing and balance at all times.** This enables better control of the power tool in unexpected situations.
- **Dress properly. Do not wear loose clothing or jewellery. Keep your hair, clothing and gloves away from moving parts.** Loose clothes, jewellery or long hair can be caught in moving parts.
- **If devices are provided for the connection of dust extraction and collection facilities, ensure these are connected and properly used.** Use of dust collection can reduce dust-related hazards.
- **Do not wear loose clothing or jewelry. Contain long hair.** Loose clothes, jewelry, or long hair can be drawn into air vents.
- **Do not use on a ladder or unstable support.** Stable footing on a solid surface enables better control of the power tool in unexpected situations.

POWER TOOL USE AND CARE

- **Do not force the power tool. Use the correct power tool for your application.** The correct power tool will do the job better and safer at the rate for which it was designed.
- **Do not use the power tool if the switch does not turn it on and off.** Any power tool that cannot be controlled with the switch is dangerous and must be repaired.
- **Disconnect the plug from the power source and/or the battery pack from the power tool before making any adjustments, changing accessories, or storing power tools.** Such preventive safety measures reduce the risk of starting the power tool accidentally.
- **Store idle power tools out of the reach of children and do not allow persons unfamiliar with the power tool or these instructions to operate the power tool.** Power tools are dangerous in the hands of untrained users.
- **Maintain power tools. Check for misalignment or binding of moving parts, breakage of parts and any other condition that may affect the power tool’s operation. If damaged, have the power tool repaired before use.** Many accidents are caused by poorly maintained power tools.
- **Keep cutting tools sharp and clean.** Properly maintained cutting tools with sharp cutting edges are less likely to bind and are easier to control.
- **Use the power tool, accessories and tool bits etc. in accordance with these instructions, taking into account the working conditions and the work to be performed.** Use of the power tool for operations different from those intended could result in a hazardous situation.

GENERAL POWER TOOL SAFETY WARNINGS

SERVICE

- **Have your power tool serviced by a qualified repair person using only identical replacement parts.** This will ensure that the safety of the power tool is maintained.

- **When servicing a power tool, use only identical replacement parts. Follow instructions in the Maintenance section of this manual.** Use of unauthorized parts or failure to follow Maintenance instructions may create a risk of shock or injury.

DRILL SAFETY WARNINGS

- **Use auxiliary handles supplied with the tool.** Loss of control can cause personal injury.
- **Hold power tool by insulated gripping surfaces, when performing an operation where the cutting accessory may contact hidden wiring or its own cord.** Cutting accessory contacting a “live” wire may make exposed metal parts of the power tool “live” and could give the operator an electric shock.
- **Know your power tool. Read operator’s manual carefully. Learn its applications and limitations, as well as the specific potential hazards related to this tool.** Following this rule will reduce the risk of electric shock, fire, or serious injury.
- **Always wear eye protection with side shields marked to comply with ANSI Z87.1.** Following this rule will reduce the risk of serious personal injury.
- **Protect your lungs. Wear a face or dust mask if the operation is dusty.** Following this rule will reduce the risk of serious personal injury.
- **Protect your hearing. Wear hearing protectors during extended periods of operation.** Following this rule will reduce the risk of serious personal injury.
- **Inspect tool cords periodically and, if damaged, have repaired at your nearest authorized service center. Constantly stay aware of cord location.** Following this rule will reduce the risk of electric shock or fire.
- **Check damaged parts. Before further use of the tool, a guard or other part that is damaged should be carefully checked to determine that it will operate properly and perform its intended function. Check for alignment of moving parts, binding of moving parts, breakage of parts, mounting, and any other conditions that may affect its operation. A guard or other part that is damaged should be properly repaired or replaced by an authorized service center.** Following this rule will reduce the risk of shock, fire, or serious injury.
- **Make sure your extension cord is in good condition. When using an extension cord, be sure to use one heavy enough to carry the current your product will draw. A wire gauge size (A.W.G.) of at least 14 is recommended for an extension cord 50 feet or less in length. A cord exceeding 100 feet is not recommended. If in doubt, use the next heavier gauge. The smaller the gauge number, the heavier the cord.** An undersized cord will cause a drop in line voltage resulting in loss of power and overheating.
- **Inspect for and remove all nails from lumber before using this tool.** Following this rule will reduce the risk of serious personal injury.
- **If the power supply cord is damaged, it must be replaced only by the manufacturer or by an authorized service center to avoid risk.**
- **Save these instructions.** Refer to them frequently and use them to instruct others who may use this tool. If you loan someone this tool, loan them these instructions also.

CALIFORNIA PROPOSITION 65

WARNING:

This product and some dust created by power sanding, sawing, grinding, drilling, and other construction activities may contain chemicals, including lead, known to the State of California to cause cancer, birth defects, or other reproductive harm. **Wash hands after handling.**




Some examples of these chemicals are:

- lead from lead-based paints,
- crystalline silica from bricks and cement and other masonry products and,
- arsenic and chromium from chemically treated lumber.






Your risk from exposure to these chemicals varies, depending on how often you do this type of work. To reduce your exposure, work in a well-ventilated area and with approved safety equipment, such as dust masks that are specially designed to filter out microscopic particles.

SYMBOLS

The following signal words and meanings are intended to explain the levels of risk associated with this product.

SYMBOL	SIGNAL	MEANING
	DANGER:	Indicates an imminently hazardous situation, which, if not avoided, will result in death or serious injury.
	WARNING:	Indicates a potentially hazardous situation, which, if not avoided, could result in death or serious injury.
	CAUTION:	Indicates a potentially hazardous situation, which, if not avoided, may result in minor or moderate injury.
	NOTICE:	(Without Safety Alert Symbol) Indicates important information not related to an injury hazard, such as a situation that may result in property damage.

Some of the following symbols may be used on this product. Please study them and learn their meaning. Proper interpretation of these symbols will allow you to operate the product better and safer.

SYMBOL	NAME	DESIGNATION/EXPLANATION
	Safety Alert	Indicates a potential personal injury hazard.
	Read Operator's Manual	To reduce the risk of injury, user must read and understand operator's manual before using this product.
	Wear Eye Protection	Always wear eye protection with side shields marked to comply with ANSI Z87.1.
	Wet Conditions Alert	Do not expose to rain or use in damp locations.
V	Volts	Voltage
A	Amperes	Current
Hz	Hertz	Frequency (cycles per second)
min	Minutes	Time
~	Alternating Current	Type of current
n_0	No Load Speed	Rotational speed, at no load
	Class II Construction	Double-insulated construction
.../min	Per Minute	Revolutions, strokes, surface speed, orbits etc., per minute

ELECTRICAL

DOUBLE INSULATION

Double insulation is a concept in safety in electric power tools, which eliminates the need for the usual three-wire grounded power cord. All exposed metal parts are isolated from the internal metal motor components with protecting insulation. Double insulated tools do not need to be grounded.

WARNING:

The double insulated system is intended to protect the user from shock resulting from a break in the tool's internal insulation. Observe all normal safety precautions to avoid electrical shock.

NOTE: Servicing of a product with double insulation requires extreme care and knowledge of the system and should be performed only by a qualified service technician. For service, we suggest you return the product to your nearest authorized service center for repair. Always use original factory replacement parts when servicing.

ELECTRICAL CONNECTION

This product has a precision-built electric motor. It should be connected to a power supply that is **120 V, AC only (normal household current), 60 Hz**. Do not operate this product on direct current (DC). A substantial voltage drop will cause a loss of power and the motor will overheat. If the product does not operate when plugged into an outlet, double-check the power supply.

EXTENSION CORDS

When using a power tool at a considerable distance from a power source, be sure to use an extension cord that has the capacity to handle the current the product will draw. An undersized cord will cause a drop in line voltage, resulting in overheating and loss of power. Use the chart to determine the minimum wire size required in an extension cord. Only round jacketed cords listed by Underwriter's Laboratories (UL) should be used.

When working outdoors with a product, use an extension cord that is designed for outside use. This type of cord is designated with "WA" or "W" on the cord's jacket.

Before using any extension cord, inspect it for loose or exposed wires and cut or worn insulation.

**Ampere rating (on tool faceplate)

Cord Length	Wire Size (A.W.G.)					
	0-2.0	2.1-3.4	3.5-5.0	5.1-7.0	7.1-12.0	12.1-16.0
25'	16	16	16	16	14	14
50'	16	16	16	14	14	12
100'	16	16	14	12	10	—

**Used on 12 gauge - 20 amp circuit

NOTE: AWG = American Wire Gauge

WARNING:

Keep the extension cord clear of the working area. Position the cord so that it will not get caught on lumber, tools, or other obstructions while you are working with a power tool. Failure to do so can result in serious personal injury.

WARNING:

Check extension cords before each use. If damaged replace immediately. Never use the product with a damaged cord since touching the damaged area could cause electrical shock resulting in serious injury.

FEATURES

PRODUCT SPECIFICATIONS

Chuck 1/2 in., Keyed
Switch..... Variable Speed/Reversible
Torque.....590 in. lbs

No Load Speed 0-600 r/min.
Input 120 Volts, AC only, 60 Hz, 9 Amps
Net Weight..... 6 lbs.

KNOW YOUR MUD MIXER/DRILL

See Figure 1, page 11.

The safe use of this product requires an understanding of the information on the product and in this operator's manual as well as a knowledge of the project you are attempting. Before use of this product, familiarize yourself with all operating functions.

AUXILIARY HANDLE

This drill is equipped with a three-position auxiliary handle for ease of operation and to prevent loss of control.

DIRECTION OF ROTATION SELECTOR (FORWARD/REVERSE)

Your drill has a direction of rotation (forward/reverse) selector located above the switch trigger for changing the direction of bit rotation.

LOCK-ON BUTTON

This tool is equipped with a lock-on feature for continuous drilling and mixing.

MIXING MODE

Use the auxiliary handle and recommended paddles (not included) when mixing paint or drywall compounds.

SPADE HANDLE

This drill is equipped with a rear spade handle for control tailored to the project.

VARIABLE SPEED

The variable speed switch trigger delivers higher speed with increased trigger pressure and lower speed with decreased trigger pressure.

ASSEMBLY

UNPACKING

This product has been shipped completely assembled.

- Carefully remove the product and any accessories from the box. Make sure that all items listed in the packing list are included.

WARNING:

Do not use this product if it is not completely assembled or if any parts appear to be missing or damaged. Use of a product that is not properly and completely assembled could result in serious personal injury.

-
- Inspect the product carefully to make sure no breakage or damage occurred during shipping.
 - Do not discard the packing material until you have carefully inspected and satisfactorily operated the tool.
 - If any parts are damaged or missing, please call 1-866-539-1710 for assistance.

WARNING:

If any parts are damaged or missing do not operate this product until the parts are replaced. Use of this product with damaged or missing parts could result in serious personal injury.

WARNING:

Do not attempt to modify this product or create accessories not recommended for use with this product. Any such alteration or modification is misuse and could result in a hazardous condition leading to possible serious personal injury.

WARNING:

Do not connect to power supply until assembly is complete. Failure to comply could result in accidental starting and possible serious personal injury.

WARNING:

The tool should never be connected to a power supply when you are assembling parts, making adjustments, cleaning, performing maintenance, or when the tool is not in use. Disconnecting the tool will prevent accidental starting that could cause serious injury.

ASSEMBLY

INSTALLING AUXILIARY HANDLE

See Figure 2, page 11.

An auxiliary handle is packed with the drill for ease of operation and to help prevent loss of control. The auxiliary handle may be installed at three different positions on the drill body.

WARNING:

Always use the auxiliary handle when using this tool to help resist torque reactions. Binding or stalling of this product could lead to serious personal injury.

To install the auxiliary handle:

- Insert the threaded end of the handle into one of the three positions on the drill as shown in figure 2.
- Tighten the auxiliary handle at the desired angle by turning the handle clockwise.

To prevent thread damage and possible loss of control, the auxiliary handle should be checked periodically for tightness. Do not operate the drill with the handle loose.

OPERATION

WARNING:

Do not allow familiarity with products to make you careless. Remember that a careless fraction of a second is sufficient to inflict severe injury.

WARNING:

Always wear eye protection with side shields marked to comply with ANSI Z87.1. Failure to do so could result in objects being thrown into your eyes, resulting in possible serious injury.

WARNING:

Do not use any attachments or accessories not recommended by the manufacturer of this product. The use of attachments or accessories not recommended can result in serious personal injury.

To turn the tool **ON**, depress the switch trigger. To turn it **OFF**, release the switch trigger and allow the coupler to come to a complete stop.

NOTE: A whistling or ringing noise coming from the switch during use is a normal part of the switch function.

LOCK-ON BUTTON

See Figure 4, page 11.

This drill is equipped with a lock-on feature, which is convenient for continuous drilling for extended periods of time.

To lock-on:

- Depress the switch trigger.
- Push in and hold the lock-on button, located on the side of the handle.
- Release the switch trigger.
- Release the lock-on button and the drill will continue running.
- To release the lock, depress and release the switch trigger.

If the lock-on feature is engaged during use and the drill becomes disconnected from the power supply, disengage the lock-on feature immediately.

DIRECTION OF ROTATION SELECTOR (FORWARD/REVERSE)

See Figure 5, page 11.

The direction of bit rotation is reversible and is controlled by a selector located above the switch trigger. With the tool held in normal operating position, the direction of rotation selector should be positioned to the left of the switch trigger for forward rotation. The direction is reversed when the selector is to the right of the switch trigger.

NOTE: The tool will not run unless the direction of rotation selector is pushed fully to the left or right.

APPLICATIONS

You may use the product for the purposes listed below:

- Drilling in wood, hard metals, and soft metals
- Mixing paints and drywall compounds

SPADE HANDLE

See Figure 3, page 11.

The spade handle can be rotated 360° for ease of use and greater control of the tool. To adjust the spade handle, grasp the handle and rotate it to the desired position.

NOTE: The spade handle is not to be used as an auxiliary handle to resist torque reactions.

VARIABLE SPEED SWITCH TRIGGER

See Figure 4, page 11.

The variable speed switch trigger delivers higher speed with increased trigger pressure and lower speed with decreased trigger pressure.

OPERATION

NOTICE:

To prevent gear damage, always allow the chuck to come to a complete stop before changing the direction of rotation.

CHUCK KEY

See Figure 6, page 11.

A chuck key has been provided for use when installing or removing bits. When not in use, the chuck key can be placed in the chuck key storage area on the power cord.

INSTALLING/REMOVING BITS

See Figures 7 and 8, page 11.

To install bits:

- Unplug the drill.
 - Insert the chuck key and twist counterclockwise.
 - Open or close the chuck jaws to a point where the opening is slightly larger than the bit size you intend to use. Also, raise the front of the drill slightly to keep the bit from falling out of the chuck jaws.
 - Insert the drill bit into the chuck.
-

⚠ WARNING:

Make sure to insert the drill bit straight into the chuck jaws. Do not insert the drill bit into the chuck jaws at an angle then tighten, as shown in figure 8. This could cause the drill bit to be thrown from the drill, resulting in possible serious personal injury or damage to the chuck.

- Tighten the chuck jaws securely on the drill bit, using the chuck key provided. Do not use a wrench to tighten or loosen the chuck jaws. For best performance, repeat this for the remaining two key holes.
- Remove the chuck key and return it to the storage area.

To remove bits:

- Unplug the drill.
- Loosen the chuck jaws using the chuck key provided.
- Remove the drill bit from the chuck jaws.
- Remove the chuck key and return it to the storage area.

DRILLING

See Figures 9 and 10, page 12.

- Depress and release the switch trigger to be sure the drill is in the **OFF** position before connecting it to power supply.
- Check the direction of rotation selector for correct setting (forward or reverse).
- Secure the material to be drilled in a vise or with clamps to keep it from turning as the drill bit rotates.
- Install auxiliary handle.
- Plug the drill into power supply source.

- Hold the drill firmly and place the bit at the point to be drilled.
 - Depress the switch trigger to start the drill. Do not lock the switch **ON** for jobs where the drill may need to be stopped suddenly.
 - Move the drill bit into the workpiece applying only enough pressure to keep the bit cutting. Do not force the drill or apply side pressure to elongate a hole. Let the drill and bit do the work.
-

⚠ WARNING:

Be prepared for binding at bit breakthrough. When these situations occur, drill has a tendency to grab and kick opposite to the direction of rotation and could cause loss of control when breaking through material. If not prepared, this loss of control can result in possible serious injury.

- When drilling hard smooth surfaces use a center punch to mark the desired hole location. This will prevent the drill bit from slipping off center as the hole is started.
- When drilling metals use a light oil on the drill bit to keep it from overheating. The oil will prolong the life of the bit and increase the drilling action.
- If the bit jams in the workpiece or if the drill stalls, stop the tool immediately. Remove the bit from the workpiece and determine the reason for jamming.

For mixing:

- Install a paddle bit (not supplied) into the chuck.
- Place the paddle bit into the compound and slowly depress the switch trigger. As mixing begins, increase the speed of the drill. Use the auxiliary handle for increased control.

WOOD AND METAL DRILLING

For maximum performance, use high speed steel bits for wood or metal drilling. Begin drilling at a very low speed to prevent the bit from slipping off the starting point.

Wood drilling:

- Increase the speed as the drill bit bites into the material.
- When drilling through holes, place a block of wood behind the workpiece to prevent ragged or splintered edges on the back side of the hole.

Metal and steel drilling:

- Maintain a speed and pressure which allows cutting without overheating the bit. Applying too much pressure will:
 - Overheat the drill;
 - Wear the bearings;
 - Bend or burn bits; and
 - Produce off-center or irregular-shaped holes.
- When drilling large holes in metal, start with a small bit, then finish with a larger bit. Also, lubricate the bit with oil to improve drilling action and increase bit life.

MAINTENANCE

⚠ WARNING:

When servicing use only identical RIDGID replacement parts. Use of any other parts may create a hazard or cause product damage.

⚠ WARNING:

Always wear eye protection with side shields marked to comply with ANSI Z87.1. Failure to do so could result in objects being thrown into your eyes, resulting in possible serious injury.

GENERAL MAINTENANCE

Avoid using solvents when cleaning plastic parts. Most plastics are susceptible to damage from various types of commercial solvents and may be damaged by their use. Use clean cloths to remove dirt, carbon dust, etc.

⚠ WARNING:

Do not at any time let brake fluids, gasoline, petroleum-based products, penetrating oils, etc. come in contact with plastic parts. They contain chemicals that can damage, weaken, or destroy plastic.

Electric tools used on fiberglass material, wallboard, spackling compounds, or plaster are subject to accelerated wear and possible premature failure because the fiberglass chips and grindings are highly abrasive to bearings, brushes, commutators, etc. Consequently, we do not recommend using this tool for extended work on these types of materials. However, if you do work with any of these materials, it is extremely important to clean the tool using compressed air.

LUBRICATION

All of the bearings in this tool are lubricated with a sufficient amount of high grade lubricant for the life of the tool under normal operating conditions. Therefore, no further lubrication is required.

POWER SUPPLY CORD REPLACEMENT

If replacement of the power supply cord is necessary, this must be done by the manufacturer or an authorized service center in order to avoid a safety hazard.

NOTE: FIGURES (ILLUSTRATIONS) START ON PAGE 11 AFTER FRENCH AND SPANISH LANGUAGE SECTIONS.

WARRANTY

RIDGID® HAND HELD AND STATIONARY POWER TOOL 3 YEAR LIMITED SERVICE WARRANTY

Proof of purchase must be presented when requesting warranty service.

Limited to RIDGID® hand held and stationary power tools purchased 2/1/04 and after. This product is manufactured by One World Technologies, Inc. The trademark is licensed from RIDGID®, Inc. All warranty communications should be directed to One World Technologies, Inc., attn: RIDGID® Hand Held and Stationary Power Tool Technical Service at (toll free) 1-866-539-1710.

90-DAY SATISFACTION GUARANTEE POLICY

During the first 90 days after the date of purchase, if you are dissatisfied with the performance of this RIDGID® Hand Held or Stationary Power Tool for any reason you may return the tool to the dealer from which it was purchased for a full refund or exchange. To receive a replacement tool you must present proof of purchase and return all original equipment packaged with the original product. The replacement tool will be covered by the limited warranty for the balance of the 3 YEAR service warranty period.

WHAT IS COVERED UNDER THE 3 YEAR LIMITED SERVICE WARRANTY

This warranty on RIDGID® Hand Held and Stationary Power Tools covers all defects in workmanship or materials and normal wear items such as brushes, chucks, motors, switches, cords, gears and even cordless batteries in this RIDGID® tool for three years following the purchase date of the tool. Warranties for other RIDGID® products may vary.

HOW TO OBTAIN SERVICE

To obtain service for this RIDGID® tool you must return it; freight prepaid, or take it in to an authorized service center for RIDGID® branded hand held and stationary power tools. You may obtain the location of the authorized service center nearest you by calling (toll free) 1-866-539-1710 or by logging on to the RIDGID® website at www.ridgid.com. When requesting warranty service, you must present the original dated sales receipt. The authorized service center will repair any faulty workmanship, and either repair or replace any part covered under the warranty, at our option, at no charge to you.

WHAT IS NOT COVERED

This warranty applies only to the original purchaser at retail and may not be transferred. This warranty only covers defects arising under normal usage and does not cover any malfunction, failure or defect resulting from misuse, abuse, neglect, alteration, modification or repair by other than an authorized service center for RIDGID® branded hand held and stationary power tools. Consumable accessories provided with the tool such as, but not limited to, blades, bits and sand paper are not covered.

RIDGID®, INC. AND ONE WORLD TECHNOLOGIES, INC. MAKE NO WARRANTIES, REPRESENTATIONS OR PROMISES AS TO THE QUALITY OR PERFORMANCE OF ITS POWER TOOLS OTHER THAN THOSE SPECIFICALLY STATED IN THIS WARRANTY.

ADDITIONAL LIMITATIONS

To the extent permitted by applicable law, all implied warranties, including warranties of MERCHANTABILITY or FITNESS FOR A PARTICULAR PURPOSE, are disclaimed. Any implied warranties, including warranties of merchantability or fitness for a particular purpose, that cannot be disclaimed under state law are limited to three years from the date of purchase. One World Technologies, Inc. and RIDGID®, Inc. are not responsible for direct, indirect, incidental or consequential damages. Some states do not allow limitations on how long an implied warranty lasts and/or do not allow the exclusion or limitation of incidental or consequential damages, so the above limitations may not apply to you. This warranty gives you specific legal rights, and you may also have other rights which vary from state to state.

One World Technologies, Inc.

Hwy. 8

Pickens, SC 29671

RÈGLES DE SÉCURITÉ RELATIVES AUX OUTILS ÉLECTRIQUES

AVERTISSEMENT

Lire tous les avertissements et toutes les instructions. Ne pas suivre l'ensemble des avertissements et des instructions peut entraîner une électrocution, un incendie ou des blessures graves.

Conserver les avertissements et les instructions à des fins de référence ultérieure. Le terme « outil motorisé », utilisé dans tous les avertissements ci-dessous désigne tout outil fonctionnant sur secteur (câblé) ou sur piles (sans fil).

SÉCURITÉ DU LIEU DE TRAVAIL

- **Garder le lieu de travail propre et bien éclairé.** Les endroits encombrés ou sombres sont propices aux accidents.
- **Ne pas utiliser d'outils électriques dans des atmosphères explosives, par exemple en présence de liquides, gaz ou poussières inflammables.** Les outils électriques produisent des étincelles risquant d'enflammer les poussières ou vapeurs.
- **Garder les enfants et badauds à l'écart pendant l'utilisation d'un outil électrique.** Les distractions peuvent causer une perte de contrôle.

SÉCURITÉ ÉLECTRIQUE

- **Les fiches des outils électriques doivent correspondre à la prise secteur utilisée. Ne jamais modifier la fiche, de quelque façon que ce soit. Ne jamais utiliser d'adaptateurs de fiche avec des outils mis à la terre.** Les fiches et prises non modifiées réduisent le risque de choc électrique.
- **Éviter tout contact du corps avec des surfaces mises à la terre, telles que tuyaux, radiateurs, cuisinières et réfrigérateurs.** Le risque de choc électrique est accru lorsque le corps est mis à la terre.
- **Ne pas exposer les outils électriques à l'eau ou l'humidité.** La pénétration d'eau dans ces outils accroît le risque de choc électrique.
- **Ne pas maltraiter le cordon d'alimentation. Ne jamais utiliser le cordon d'alimentation pour transporter l'outil et ne jamais débrancher ce dernier en tirant sur le cordon. Garder le cordon à l'écart de la chaleur, de l'huile, des objets tranchants et des pièces en mouvement.** Un cordon endommagé ou emmêlé accroît le risque de choc électrique.
- **Pour les travaux à l'extérieur, utiliser un cordon spécialement conçu à cet effet.** Utiliser un cordon conçu pour l'usage extérieur pour réduire les risques de choc électrique.
- **S'il est nécessaire d'utiliser l'outil électrique dans un endroit humide, employer un dispositif interrupteur de défaut à la terre (GFCI).** L'utilisation d'un GFCI réduit le risque de décharge électrique.

SÉCURITÉ PERSONNELLE

- **Rester attentif, prêter attention au travail et faire preuve de bon sens lors de l'utilisation de tout outil électrique. Ne pas utiliser cet outil en état de fatigue ou sous l'influence de l'alcool, de drogues ou de médicaments.** Un moment d'inattention pendant l'utilisation d'un outil électrique peut entraîner des blessures graves.

- **Utiliser l'équipement de sécurité. Toujours porter une protection oculaire.** L'équipement de sécurité, tel qu'un masque filtrant, de chaussures de sécurité, d'un casque ou d'une protection auditive, utilisé dans des conditions appropriées réduira le risque de blessures.
- **Éviter les démarrages accidentels. S'assurer que le commutateur est en position d'arrêt avant de brancher l'outil.** Porter un outil avec le doigt sur son commutateur ou brancher un outil dont le commutateur est en position de marche peut causer un accident.
- **Retirer les clés de réglage avant de mettre l'outil en marche.** Une clé laissée sur une pièce rotative de l'outil peut causer des blessures.
- **Ne pas travailler hors de portée. Toujours se tenir bien campé et en équilibre.** Ceci permettra de mieux contrôler l'outil en cas de situation imprévue.
- **Porter une tenue appropriée. Ne porter ni vêtements amples, ni bijoux. Garder les cheveux, les vêtements et les gants à l'écart des pièces en mouvement.** Les vêtements amples, bijoux et cheveux longs peuvent se prendre dans les pièces en mouvement.
- **Si les outils sont équipés de dispositifs de dépoussiérage, s'assurer qu'ils sont connectés et correctement utilisés.** L'usage de ces dispositifs de dépoussiérage peut réduire les dangers présentés par la poussière.
- **Ne porter ni vêtements amples, ni bijoux. Attacher ou couvrir les cheveux longs.** Les vêtements amples, bijoux et cheveux longs peuvent se prendre dans les ouïes d'aération.
- **Ne pas utiliser l'outil sur une échelle ou un support instable.** Une bonne tenue et un bon équilibre permettent de mieux contrôler l'outil en cas de situation imprévue.

UTILISATION ET ENTRETIEN DES OUTILS ÉLECTRIQUES

- **Ne pas forcer l'outil. Utiliser l'outil approprié pour l'application.** Un outil approprié exécutera le travail mieux et de façon moins dangereuse s'il est utilisé dans les limites prévues.
- **Ne pas utiliser l'outil si le commutateur ne permet pas de le mettre en marche ou de l'arrêter.** Tout outil qui ne peut pas être contrôlé par son commutateur est dangereux et doit être réparé.
- **Débrancher l'outil et/ou retirer le bloc-piles avant d'effectuer des réglages, de changer d'accessoire ou de remiser l'outil.** Ces mesures de sécurité préventives réduisent les risques de démarrage accidentel de l'outil.
- **Ranger les outils motorisés hors de la portée des enfants et ne laisser personne n'étant pas familiarisé avec l'outil ou ces instructions utiliser l'outil.** Dans les mains de personnes n'ayant pas reçu des instructions adéquates, les outils sont dangereux.
- **Entretenir les outils motorisés. Vérifier qu'aucune pièce mobile n'est mal alignée ou bloquée, qu'aucune pièce n'est brisée et s'assurer qu'aucun autre problème ne risque d'affecter le bon fonctionnement de l'outil. En cas de dommages faire réparer l'outil avant de l'utiliser de nouveau.** Beaucoup d'accidents sont causés par des outils mal entretenus.

RÈGLES DE SÉCURITÉ RELATIVES AUX OUTILS ÉLECTRIQUES

- **Garder les outils bien affûtés et propres.** Des outils correctement entretenus et dont les tranchants sont bien affûtés risquent moins de se bloquer et sont plus faciles à contrôler.
- **Utiliser l'outil, les accessoires et embouts, etc. conformément à ces instructions pour les applications pour lesquelles ils sont conçus, en tenant compte des conditions et du type de travail à exécuter.** L'usage d'un outil motorisé pour des applications pour lesquelles il n'est pas conçu peut être dangereux.

DÉPANNAGE

- **Les réparations doivent être confiées à un technicien qualifié, utilisant exclusivement des pièces identiques à celles d'origine.** Ceci assurera le maintien de la sécurité de l'outil.
- **Utiliser exclusivement des pièces identiques à celles d'origine pour les réparations. Se conformer aux instructions de la section Entretien de ce manuel.** L'usage de pièces non autorisées ou le non-respect des instructions peut présenter des risques de choc électrique ou de blessures.

AVERTISSEMENTS DE SÉCURITÉ RELATIFS AU PERCEUSE

- **Utiliser les poignées auxiliaires fournies avec l'outil.** La perte de contrôle peut causer des blessures.
- **Lorsque l'outil est utilisé pour un travail risquant de le mettre en contact avec des fils électriques cachés ou son propre cordon d'alimentation, le tenir par les surfaces de prise isolées.** En cas de contact avec un fil sous tension, les parties métalliques exposées de l'outil seraient électrisées, exposant l'opérateur à un risque de choc électrique.
- **Apprendre à connaître l'outil. Lire attentivement le manuel d'utilisation. Apprendre les applications et les limites de l'outil, ainsi que les risques spécifiques relatifs à son utilisation.** Le respect de cette consigne réduira les risques d'incendie, de choc électrique et de blessures graves.
- **Toujours porter une protection oculaire avec écrans latéraux certifiée conforme à la norme ANSI Z87.1.** Le respect de cette règle réduira les risques de blessures graves.
- **Protection respiratoire. Porter un masque facial ou filtrant si le travail produit de la poussière.** Le respect de cette consigne réduira les risques de blessures graves.
- **Protection auditive. Porter une protection auditive durant les périodes d'utilisation prolongée.** Le respect de cette consigne réduira les risques de blessures graves.
- **Inspecter régulièrement les cordons d'alimentation des outils et s'ils sont endommagés, les confier au centre de réparations agréé le plus proche. Toujours être conscient de l'emplacement du cordon.** Le respect de cette consigne réduira les risques de choc électrique et d'incendie.
- **Vérifier l'état des pièces. Avant d'utiliser l'outil de nouveau examiner soigneusement les pièces et dispositifs de protection qui semblent endommagés afin**

de déterminer s'ils fonctionnent correctement et s'ils remplissent les fonctions prévues. Vérifier l'alignement des pièces mobiles, s'assurer qu'aucune pièce n'est bloquée ou cassée, vérifier la fixation de chaque pièce et s'assurer qu'aucun autre problème ne risque d'affecter le bon fonctionnement de l'outil. Toute protection ou pièce endommagée doit être correctement réparée ou remplacée dans un centre de réparations agréé. Le respect de cette consigne réduira les risques de choc électrique, d'incendie et de blessures graves.

- **S'assurer que le cordon prolongateur est en bon état. Si un cordon prolongateur est utilisé, s'assurer que sa capacité est suffisante pour supporter le courant de fonctionnement de l'outil. Un calibre de fil (A.W.G) d'au minimum 14 est recommandé pour un cordon prolongateur de 15 mètres (50 pi) maximum. L'usage d'un cordon de plus de 30 m (100 pi) est déconseillé. En cas de doute, utiliser un cordon du calibre immédiatement supérieur. Moins le numéro de calibre est élevé, plus la capacité du fil est grande.** Un cordon de capacité insuffisante causerait une baisse de la tension de ligne, entraînant une perte de puissance et une surchauffe.
- **Inspecter la pièce et retirer les clous éventuels avant d'utiliser cet outil.** Le respect de cette consigne réduira les risques de blessures graves.
- **Si le cordon d'alimentation est endommagé, il doit être remplacé uniquement par le fabricant ou par un centre de réparation agréé pour éviter tout risque.**
- **Conserver ces instructions.** Les consulter fréquemment et les utiliser pour instruire les autres utilisateurs éventuels. Si cet outil est prêté, il doit être accompagné de ces instructions.

PROPOSITION 65 DE L'ÉTAT DE CALIFORNIE

AVERTISSEMENT :

Ce produit et la poussière dégagée lors du ponçage, sciage, meulage, perçage de certains matériaux et lors d'autres opérations de construction peuvent contenir des produits chimiques, notamment du plomb qui, selon l'État de la Californie, peuvent causer le cancer, des anomalies congénitales et d'autres dommages au système reproducteur. **Bien se laver les mains après toute manipulation.**




Voici certains exemples de ces produits chimiques :

- le plomb contenu dans la peinture au plomb,
- la silice cristalline contenue dans les briques, le béton et d'autres produits de maçonnerie, ainsi que
- l'arsenic et le chrome contenus dans le bois de construction traité par produits chimiques.






Le risque présenté par l'exposition à ces produits varie en fonction de la fréquence de ce type de travail. Pour réduire l'exposition, travailler dans un endroit bien aéré et utiliser des équipements de sécurité approuvés tels que masques antipoussières spécialement conçus pour filtrer les particules microscopiques.

SYMBOLES

Les termes de mise en garde suivants et leur signification ont pour but d'expliquer le degré de risques associé à l'utilisation de ce produit.

SYMBOLE	SIGNAL	SIGNIFICATION
	DANGER :	Indique une situation extrêmement dangereuse qui, si elle n'est pas évitée, aura pour conséquences des blessures graves ou mortelles.
	AVERTISSEMENT :	Indique une situation potentiellement dangereuse qui, si elle n'est pas évitée, pourrait entraîner des blessures graves ou mortelles.
	ATTENTION :	Indique une situation potentiellement dangereuse qui, si elle n'est pas évitée, pourrait entraîner des blessures légères ou de gravité modérée.
	AVIS :	(Sans symbole d'alerte de sécurité) Indique une information importante ne concernant pas un risque de blessure comme une situation pouvant occasionner des dommages matériels.

Certains des symboles ci-dessous peuvent être utilisés sur produit. Veiller à les étudier et à apprendre leur signification. Une interprétation correcte de ces symboles permettra d'utiliser produit plus efficacement et de réduire les risques.

SYMBOLE	NOM	DÉSIGNATION / EXPLICATION
	Symbole d'alerte de sécurité	Indique un risque de blessure potentiel.
	Lire le manuel d'utilisation	Pour réduire les risques de blessures, l'utilisateur doit lire et veiller à bien comprendre le manuel d'utilisation avant d'utiliser ce produit.
	Porter une protection oculaire	Toujours porter une protection oculaire avec écrans latéraux certifiée conforme à la norme ANSI Z87.1.
	Avertissement concernant l'humidité	Ne pas exposer à la pluie ou l'humidité.
V	Volts	Tension
A	Ampères	Intensité
Hz	Hertz	Fréquence (cycles par seconde)
min	Minutes	Temps
~	Courant alternatif	Type de courant
n_0	Vitesse à vide	Vitesse de rotation à vide
	Outil de la classe II	Construction à double isolation
.../min	Par minute	Tours, coups, vitesse périphérique, orbites, etc., par minute

CARACTÉRISTIQUES ÉLECTRIQUES

DOUBLE ISOLATION

La double isolation est un dispositif de sécurité utilisé sur les outils à moteur électriques, éliminant le besoin pour un cordon d'alimentation trois fil avec prise de terre habituel. Toutes les pièces métalliques exposées sont isolées des composants internes du moteur. Les outils à double isolation ne nécessitent pas de mise à la terre.

AVERTISSEMENT :

Le système à double isolation est conçu pour protéger l'utilisateur contre les chocs électriques causés par une rupture du câblage interne de l'outil. Prendre toutes les précautions de sécurité normales pour éviter les chocs électriques.

NOTE : Le dépannage d'un outil à double isolation exigeant des précautions extrêmes et la connaissance du système, il ne doit être confié qu'à un technicien de service qualifié. En ce qui concerne les réparations, nous recommandons de confier l'outil au centre de réparation le plus proche. Utiliser exclusivement des pièces d'origine pour les réparations.

CONNEXIONS ÉLECTRIQUES

Ce produit est équipé d'un moteur électrique de précision. Il doit être branché sur une **alimentation 120 V, c.a. uniquement (courant résidentiel standard), 60 Hz**. Ne pas utiliser cet outil sur une source de courant continu (c.c.). Une chute de tension importante causerait une perte de puissance et une surchauffe du moteur. Si l'outil ne fonctionne pas une fois branché, vérifier l'alimentation électrique.

CORDONS PROLONGATEURS

Lors de l'utilisation d'un outil électrique à grande distance d'une prise secteur, veiller à utiliser un cordon prolongateur d'une capacité suffisante pour supporter le prélèvement de courant du moteur. Un cordon de capacité insuffisante causerait une baisse de la tension de ligne, entraînant une perte de puissance et une surchauffe. Se reporter au tableau ci-dessous pour déterminer la taille de fils requise pour un cordon donné. Utiliser exclusivement des cordons homologués par Underwriter's Laboratories (UL).

Pour les travaux à l'extérieur, utiliser un cordon spécialement conçu à cet effet. La gaine des cordons de ce type porte l'inscription « WA » ou « W ».

Avant d'utiliser un cordon prolongateur, vérifier que les fils ne sont ni détachés ni exposés et que l'isolation n'est ni coupée, ni usée.

**Intensité nominale (sur la plaquette signalétique de l'outil)

Longueur du cordon	Calibre de fil (A.W.G.)					
	0-2,0	2,1-3,4	3,5-5,0	5,1-7,0	7,1-12,0	12,1-16,0
25'	16	16	16	16	14	14
50'	16	16	16	14	14	12
100'	16	16	14	12	10	—

**Utilisé sur circuit de calibre 12 – 20 A

NOTE : AWG = American Wire Gauge

AVERTISSEMENT :

Maintenir le cordon prolongateur à l'écart de la zone de travail. Lors du travail avec un cordon électrique, placer le cordon de manière à ce qu'il ne risque pas de se prendre dans les pièces de bois, outils et autres obstacles. Ne pas prendre cette précaution peut entraîner des blessures graves.

AVERTISSEMENT :

Vérifier l'état des cordons prolongateurs avant chaque utilisation. Remplacer immédiatement tout cordon endommagé. Le fait de ne jamais utiliser un outil dont le cordon d'alimentation est endommagé car tout contact avec une partie dénudée pourrait causer un choc électrique et des blessures graves.

CARACTÉRISTIQUES

FICHE TECHNIQUE

Mandrin 1/2 po (13 mm), à clé
Commutateur Une vitesse/réversible
Couple 590 po-lb

Vitesse à vide 0-600/min
Alimentation 120 V, c.a. seulement, 60 Hz, 9 A
Poids net 2,72 kg (6,0 lb)

VEILLER À BIEN CONNAÎTRE PERCEUSE

Voir la figure 1, page 11.

La sécurité d'utilisation de ce produit exige la compréhension des informations apposées sur l'outil et contenues dans ce manuel d'utilisation, ainsi que la connaissance du travail à exécuter. Avant d'utiliser ce produit, se familiariser avec toutes ses fonctions et règles de sécurité.

POIGNÉE AUXILIAIRE

Cette perceuse est équipée d'une poignée auxiliaire à trois positions pour faciliter le travail et empêcher la perte du contrôle.

SÉLECTEUR DE SENS DE ROTATION (AVANT/ARRIÈRE)

La perceuse est équipée d'un sélecteur de sens de rotation de l'embout (avant/arrière) situé au-dessus de la gâchette.

BOUTON DE VERROUILLAGE

Cet outil est doté d'un bouton de verrouillage pour le perçage et mélange en continu.

MODE MELANGER

Utiliser la poignée auxiliaire et leviers recommandés (n'est pas incluse) en mélangeant les composés de peinture ou d'enduits muraux

POIGNÉE BÊCHE

Cette perceuse est équipée d'une poignée bêche arrière à deux positions pour permettant de garder le contrôle, quelle que soit l'application.

VITESSE VARIABLE

La gâchette avec variation de vitesse procurera des vitesses plus élevées si une pression accrue est exercée et des vitesses moins élevées dans le cas d'une pression réduite.

ASSEMBLAGE

DÉBALLAGE

Ce produit a été expédié complètement assemblé.

- Avec précaution, sortir le produit et les accessoires de la boîte. S'assurer que toutes les pièces figurant sur la liste de contrôle sont incluses.

AVERTISSEMENT :

Ne pas utiliser le produit s'il n'est pas complètement assemblé ou si des pièces semblent manquantes ou endommagées. Le fait d'utiliser un produit assemblé de façon inadéquate ou incomplète peut entraîner des blessures graves.

- Examiner soigneusement le produit pour s'assurer que rien n'a été brisé ou endommagé en cours de transport.
- Ne pas jeter les matériaux d'emballage avant d'avoir soigneusement examiné le produit et avoir vérifié qu'il fonctionne correctement.
- Si des pièces manquent ou sont endommagées, téléphoner au 1-866-539-1710.

AVERTISSEMENT :

Si des pièces manquent ou sont endommagées, ne pas utiliser cet produit avant qu'elles aient été remplacées. Ne pas prendre cette précaution pourrait entraîner des blessures graves.

AVERTISSEMENT :

Ne pas essayer de modifier cet produit ou de créer des accessoires non recommandés pour l'produit. De telles altérations ou modifications sont considérées comme un usage abusif et peuvent créer des conditions dangereuses, risquant d'entraîner des blessures graves.

AVERTISSEMENT :

Ne pas brancher sur le secteur avant d'avoir terminé l'assemblage. Le non-respect de cet avertissement peut causer un démarrage accidentel, entraînant des blessures graves.

AVERTISSEMENT :

Ne jamais brancher l'outil sur le secteur lors de l'assemblage de pièce, des opérations de réglage, du nettoyage, de l'entretien ou lorsqu'il n'est pas utilisé. Débrancher l'outil afin d'empêcher tout démarrage accidentel pouvant causer des blessures graves.

ASSEMBLAGE

INSTALLATION DE LA POIGNÉE AUXILIAIRE

Voir la figure 2, page 11.

Cette perceuse est équipée d'une poignée auxiliaire pour faciliter le travail et empêcher la perte du contrôle. La poignée auxiliaire peut être installée sur trois différentes positions du corps de la perceuse.

AVERTISSEMENT :

Toujours utiliser la poignée auxiliaire pendant l'utilisation de l'outil pour prévenir les réactions causées par le couple. La déformation par torsion ou le blocage de ce produit peut entraîner des blessures graves.

UTILISATION

AVERTISSEMENT :

Ne pas laisser la familiarité avec l'outil faire oublier la prudence. Ne pas oublier qu'une fraction de seconde d'inattention peut entraîner des blessures graves.

AVERTISSEMENT :

Toujours porter une protection oculaire certifiée conforme à la norme ANSI Z87.1. Si cette précaution n'est pas prise, des objets peuvent être projetés dans les yeux et causer des lésions graves.

AVERTISSEMENT :

N'utiliser ni accessoires, ni outils non recommandés par le fabricant de ce produit. L'utilisation de pièces et accessoires non recommandés peut entraîner des blessures graves.

APPLICATIONS

Cet outil peut être utilisé pour les applications ci-dessous :

- Perçage du bois, des métaux mous et des métaux durs
- Mélange de peinture et d'enduits muraux

POIGNÉE BÊCHE

Voir la figure 3, page 11.

La poignée du foret à trois pointes peut se tourner sur 360° pour faciliter l'utilisation de l'outil et favoriser un meilleur contrôle. Pour ajuster la poignée bêche à trois pointes, tenir la poignée et la tourner à la position désirée.

NOTE : La poignée bêche à trois pointes ne doit pas être utilisée comme poignée auxiliaire pour prévenir les réactions causées par le couple.

GÂCHETTE À VARIATION DE VITESSE

Voir la figure 4, page 11.

La gâchette avec variation de vitesse procurera des vitesses plus élevées si une pression accrue est exercée et des vitesses moins élevées dans le cas d'une pression réduite.

Pour installer la poignée auxiliaire :

- Visser l'extrémité filetée de la poignée sur l'une des trois positions de la perceuse, comme le montre la figure 2.
- Serrer la poignée à l'angle désiré en la tournant vers la droite.

Pour éviter des dommages au filetage et les risques de perte du contrôle, le serrage de la poignée doit être vérifié périodiquement. Ne pas utiliser la perceuse si la poignée est desserrée.

Pour mettre la perceuse **EN MARCHÉ**, appuyer sur la gâchette. Pour **ÉTEINDRE**, la perceuse, relâcher la gâchette et laisser le mandrin parvenir à l'arrêt complet.

NOTE : Un bruit de sifflement ou de tintement provenant de la gâchette pendant l'utilisation est une situation normale pour cet interrupteur.

BOUTON DE VERROUILLAGE

Voir la figure 4, page 11.

Cette perceuse est doté d'un bouton de verrouillage de gâchette, commode pour le perçage en continu prolongé.

Verrouillage :

- Appuyer sur la gâchette.
- Maintenir le bouton de verrouillage, situé sur le côté de la poignée, enfoncé.
- Relâcher la gâchette.
- Relâcher le bouton de verrouillage et la perceuse continue de tourner.
- Pour désengager le verrouillage, appuyer sur la gâchette, puis la relâcher.

Si la fonction de verrouillage est engagée pendant l'utilisation et la perceuse accidentellement débranchée, désengager le verrouillage immédiatement.

SÉLECTEUR DE SENS DE ROTATION (AVANT/ARRIÈRE)

Voir la figure 5, page 11.

Le sens de rotation est commandé par un sélecteur situé au-dessus de la gâchette. L'outil étant tenue en position normale d'utilisation, le sélecteur de sens de rotation doit être tourné vers la gauche pour percer. Le sens de rotation est inversé lorsque le sélecteur est tourné vers la droite.

NOTE : L'outil ne peut fonctionner que si le sélecteur de sens de rotation est poussé à fond vers la droite ou la gauche.

AVIS :

Pour éviter des dommages aux engrenages, toujours laisser le mandrin parvenir à l'arrêt complet avant de changer de sens de rotation.

UTILISATION

CLÉ À MANDRIN

Voir la figure 6, page 11.

Une clé à mandrin est fournie, pour l'installation et le retrait des forets. Lorsqu'elle n'est pas utilisée, la clé à mandrin peut être placée dans son compartiment de rangement sur l'ordonnement endommagé.

INSTALLATION ET RETRAIT DES FORETS

Voir les figures 7 et 8, page 11.

Pour installer le foret :

- Débrancher la perceuse.
- Insérer la clé dans le mandrin et tourner vers la gauche.
- Ouvrir les mors du foret de manière à pouvoir insérer le foret à utiliser. Relever légèrement l'avant de la perceuse pour empêcher le foret de s'échapper des mors du mandrin.
- Insérer le foret dans le mandrin.

AVERTISSEMENT :

Veiller à insérer le foret droit dans les mors du mandrin. Ne pas insérer un foret dans les mors en serrant comme illustré à la figure 8. Le foret pourrait être éjecté de la perceuse et causer des blessures graves ou endommager le mandrin.

- Resserrer fermement les mors sur le foret au moyen de la clé à mandrin fournie. Ne pas utiliser une clé pour serrer ou desserrer les mors du mandrin. Pour un serrage optimal, répéter l'opération avec les deux autres trous de clé.
- Retirer la clé du mandrin et la remettre dans son compartiment de rangement.

Pour retirer :

- Débrancher la perceuse.
- Desserrer les mors au moyen de la clé à mandrin fournie.
- Retirer le foret du mandrin.
- Retirer la clé du mandrin et la remettre dans son compartiment de rangement.

PERÇAGE

Voir les figures 9 et 10, page 12.

- Appuyer sur la gâchette et la relâcher pour s'assurer que la perceuse est **ARRÊTÉE** avant de la brancher sur une prise secteur.
- Vérifier la position du sélecteur du sens de rotation (rotation avant ou arrière).
- Bloquer la pièce de travail dans un étau ou avec des serre-joints pour l'empêcher de tourner avec l'embout.
- Installation du poignée auxiliaire.
- Brancher la perceuse sur une prise secteur.
- Tenir la perceuse fermement et placer la pointe de l'embout sur le point à percer.
- Appuyer sur la gâchette pour mettre le foret en rotation. Ne pas verrouiller la gâchette si le travail peut exiger **D'ARRÊTER** immédiatement la perceuse.

- Percer en appuyant sur la perceuse juste assez pour que le foret morde dans le matériau. Ne pas forcer la perceuse ou appliquer une force latérale pour élargir un trou. Laisser la perceuse et le foret effectuer le travail.

AVERTISSEMENT :

Se tenir prêt en cas de blocage ou lorsque le foret traverse le matériau. Dans ces situations, la perceuse a tendance à être propulsée dans le sens contraire à la rotation, ce qui peut causer la perte de contrôle. Si l'opérateur n'est pas préparé, cette perte de contrôle peut entraîner des blessures graves.

- Avant de percer un matériau dur et lisse, poinçonner l'emplacement du trou. Cette précaution empêchera le foret de glisser au départ du trou.
- Lors du perçage de métaux, appliquer de l'huile légère sur le foret pour l'empêcher de surchauffer. Cette huile prolongera la vie utile du foret et facilitera le perçage.
- Si le foret se bloque dans la pièce ou si la perceuse cale, l'arrêter immédiatement. Sortir le foret de la pièce et déterminer la raison du blocage.

Pour mélanger :

- Insérer un foret à trois pointes (non fourni) dans le mandrin.
- Insérer le foret à trois pointes dans le composé et appuyer lentement sur la gâchette. Augmenter la vitesse de la perceuse dès que le mélange commence. Utiliser la poignée auxiliaire pour améliorer le contrôle.

PERÇAGE DU BOIS ET DU MÉTAL

Pour une performance optimale, utiliser des forets en acier haute vitesse pour percer le métal ou l'acier. Commencer le perçage à très basse vitesse pour éviter que la pointe du foret ne glisse.

Perçage du bois :

- Augmenter la vitesse une fois que le foret pénètre dans le matériau.
- Lors du perçage de trous traversants, placer un morceau de bois derrière la pièce pour éviter d'éclisser l'autre côté du trou.

Perçage du métal et de l'acier :

- Appuyer sur la gâchette de façon à maintenir une vitesse ne causant pas la surchauffe du foret. Une pression excessive causerait :
 - La surchauffe du foret;
 - Une usure excessive des roulements;
 - La déformation ou le brûlage du foret; et
 - Des trous décentrés ou de forme irrégulière.
- Lors du perçage de gros trous dans le métal, commencer avec un foret de petite dimension avant d'élargir le trou avec un foret de dimension supérieure. Lubrifier le foret avec de l'huile afin de prolonger sa vie utile et de faciliter le perçage.

ENTRETIEN

⚠ AVERTISSEMENT :

Utiliser exclusivement des pièces RIDGID d'origine pour les réparations. L'usage de toute autre pièce pourrait créer une situation dangereuse ou endommager l'outil.

⚠ AVERTISSEMENT :

Toujours porter une protection oculaire avec écrans latéraux certifiée conforme à la norme ANSI Z87.1. Si cette précaution n'est pas prise, des objets peuvent être projetés dans les yeux et causer des lésions graves.

ENTRETIEN GÉNÉRAL

Éviter d'utiliser des solvants pour le nettoyage des pièces en plastique. La plupart des matières plastiques peuvent être endommagées par divers types de solvants du commerce. Utiliser un chiffon propre pour éliminer la saleté, la poussière de carbure, etc.

⚠ AVERTISSEMENT :

Ne jamais laisser de liquides tels que le fluide de freins, l'essence, les produits à base de pétrole, les huiles pénétrantes, etc., entrer en contact avec les pièces en plastique. Ces liquides contiennent des produits chimiques susceptibles d'endommager, d'affaiblir ou de détruire le plastique.

Les outils électriques utilisés sur la fibre de verre, le placoplâtre, les mastics de bouchage ou le plâtre s'usent plus vite et sont susceptibles de défaillance prématurée car les particules et les éclats de fibre de verre sont fortement abrasifs pour les roulements, balais, commutateurs, etc. Toutefois, si l'outil a été utilisé sur l'un de ces matériaux, il est extrêmement important de le nettoyer à l'air comprimé.

LUBRIFICATION

Tous les roulements de cet outil sont enduits d'une quantité suffisante de lubrifiant de haute qualité pour la durée de vie de l'outil, dans des conditions d'utilisation normales. Aucune autre lubrification n'est donc nécessaire.

REMPACEMENT DU CORDON D'ALIMENTATION

S'il y a lieu, le cordon d'alimentation doit être remplacé pas le fabricant ou par un un centre de réparation agréé afin d'éviter tout risque.

**FIGURES (ILLUSTRATIONS) COMMENÇANT SUR
11 DE PAGE APRÈS LA SECTION ESPAGNOL.**

GARANTIE

GARANTIE D'ENTRETIEN DE 3 ANS SUR LES OUTILS ÉLECTRIQUES À MAIN ET D'ÉTABLI RIDGID®

Une preuve d'achat doit être présentée pour toute demande de réparation sous garantie.

Cette garantie se limite aux outils électriques à main et d'établi RIDGID® achetés à partir du 1/2/04. Ce produit est fabriqué par One World Technologies, Inc., sous licence de marque de RIDGID, Inc. Toutes les correspondances relatives à la garantie doivent être adressées à One World Technologies, Inc. à l'intention de: Service technique des outils motorisés à main et d'établi RIDGID, au 1-866-539-1710 (appel gratuit).

POLITIQUE DE SATISFACTION ASSURÉE DE 90 JOURS

En cas de non satisfaction pour quelque raison que ce soit au cours des 90 jours suivant la date d'achat de cet outil à main ou d'établi RIDGID®, il pourra être retourné au point de vente pour échange ou remboursement intégral. Pour obtenir un outil en échange, l'équipement original devra être retourné, dans son emballage d'origine, accompagné d'une preuve d'achat. L'outil fourni en échange sera couvert par la garantie limitée pour le restant de la période de validité de 3 ANS.

CE QUI EST COUVERT PAR LA GARANTIE LIMITÉE DE 3 ANS

Cette garantie sur les outils électriques à main et d'établi RIDGID® couvre tous les vices de matériaux et de fabrication, ainsi que les articles de consommation courants, tels que balais, mandrins, moteurs, commutateurs, cordons, engrenages et même les batteries d'outils sans fil de cet outil RIDGID®, pour une période de trois ans, à compter de la date d'achat. Les garanties d'autres produits RIDGID® peuvent être différentes.

RÉPARATIONS SOUS GARANTIE

Pour toute réparation sous garantie, cet outil RIDGID® devra être retourné, en port payé, à un centre de réparations RIDGID® pour outils motorisés à main et d'établi agréé. L'adresse du centre de réparations agréé le plus proche peut être obtenue en appelant le 1-866-539-1710 (appel gratuit), ou en accédant au site Internet RIDGID®, www.ridgid.com. Le reçu de vente daté doit être présenté lors de toute demande de réparation sous garantie. Le centre de réparations agréé corrigera tout défaut de fabrication et réparera ou remplacera (à notre choix) gratuitement, toute pièce défectueuse.

CE QUI N'EST PAS COUVERT

La garantie ne couvre que l'acheteur au détail original et n'est pas transférable. Cette ne couvre pas les problèmes de fonctionnement, défaillances ou autres défauts résultant d'un usage incorrect ou abusif, de la négligence, de la modification, de l'altération ou de réparations effectuées par quiconque autre qu'un centre de réparations d'outils motorisés à main et d'établi RIDGID® agréé. Les articles de consommation fournis avec cet outil, tels que, mais sans y être limité, les lames, embouts et abrasifs, ne sont pas couverts.

ONE WORLD TECHNOLOGIES, INC. NE FAIT AUCUNE AUTRE GARANTIE, REPRÉSENTATION OU PROMESSE CONCERNANT LA QUALITÉ ET LES PERFORMANCES DE CET OUTIL ÉLECTRIQUE, AUTRES QUE CELLES EXPRESSÉMENT INDIQUÉES DANS LE PRÉSENT DOCUMENT.

AUTRES LIMITATIONS

Sous réserve que les lois en vigueur le permettent, toutes les garanties implicites sont exclues, y compris les GARANTIES DE VALEUR MARCHANDE ou D'ADÉQUATION À UN USAGE PARTICULIER. Toutes les garanties implicites, y compris les garanties de valeur marchande ou d'adéquation à un usage particulier ne pouvant pas être exclues en raison des lois en vigueur, sont limitées à une durée de trois ans, à compter de la date d'achat. One World Technologies, Inc. et RIDGID, Inc. déclinent toute responsabilités pour les dommages directs ou indirects. Certains états et provinces ne permettant pas de limitation sur la durée des garanties implicites, et/ou l'exclusion ou la limitation des dommages directs ou indirects, les restrictions ci-dessus peuvent ne pas être applicables. Cette garantie donne au consommateur des droits spécifiques, et celui-ci peut bénéficier d'autres droits, qui varient selon les états ou provinces.

One World Technologies, Inc.

Hwy. 8

Pickens, SC 29671, USA

ADVERTENCIAS DE SEGURIDAD PARA HERRAMIENTAS ELÉCTRICAS

ADVERTENCIA

Lea todas las advertencias de seguridad y las instrucciones. La inobservancia de las advertencias e instrucciones puede causar descargas eléctricas, incendios o lesiones graves.

Guarde todas las advertencias e instrucciones para consultarlas en el futuro. El término “herramienta eléctrica” en las advertencias se refiere a las herramientas eléctricas que funcionan con corriente (con cordón) o las que funcionan con batería (inalámbricas).

ÁREA DE TRABAJO

- **Mantenga limpia y bien iluminada el área de trabajo.** Un área de trabajo mal despejada o mal iluminada propicia accidentes.
- **No utilice herramientas motorizadas en atmósferas explosivas, como las existentes alrededor de líquidos, gases y polvos inflamables.** Las herramientas eléctricas generan chispas que pueden encender el polvo y los vapores inflamables.
- **Mantenga alejados a los niños y circunstantes al maniobrar una herramienta eléctrica.** Toda distracción puede causar la pérdida del control de la herramienta.

SEGURIDAD ELÉCTRICA

- **Las clavijas de las herramientas eléctricas deben corresponder a las tomas de corriente donde se conectan. Nunca modifique la clavija de ninguna forma. No utilice ninguna clavija adaptadora con herramientas eléctricas dotadas de contacto a tierra.** Conectando las clavijas originales en las tomas de corriente donde corresponden se disminuye el riesgo de una descarga eléctrica.
- **Evite el contacto del cuerpo con las superficies de objetos conectados a tierra, como las tuberías, radiadores, estufas y refrigeradores.** Existe un mayor riesgo de descargas eléctricas si el cuerpo está haciendo tierra.
- **No exponga las herramientas eléctricas a la lluvia ni a condiciones de humedad.** La introducción de agua en una herramienta eléctrica aumenta el riesgo de descargas eléctricas.
- **No maltrate el cordón eléctrico. Nunca utilice el cordón para trasladar, desconectar o tirar de la herramienta eléctrica. Mantenga el cordón lejos del calor, aceite, bordes afilados y piezas móviles.** Los cordones eléctricos dañados o enredados aumentan el riesgo de descargas eléctricas.
- **Al utilizar una herramienta eléctrica a la intemperie, use un cordón de extensión apropiado para el exterior.** Usando un cordón adecuado para el exterior se disminuye el riesgo de descargas eléctricas.
- **Si debe operar una herramienta en lugares húmedos, use un suministro protegido por un interruptor de circuito con pérdida a tierra (GFCI).** El uso de un GFCI reduce el riesgo de descargas eléctricas.

SEGURIDAD PERSONAL

- **Permanezca alerta, preste atención a lo que esté haciendo y aplique el sentido común al utilizar herramientas eléctricas. No utilice la herramienta eléctrica si está cansado o se encuentra bajo los efectos de alguna droga, alcohol o medicamento.** Un momento de inatención al utilizar una herramienta eléctrica puede causar lesiones corporales serias.
- **Utilice protección el equipo otros. Siempre póngase protección ocular.** El uso de equipo protector como mascarilla para el polvo, calzado de seguridad, casco y protección para

los oídos en las circunstancias donde corresponda disminuye el riesgo de lesiones.

- **Evite que la herramienta se active accidentalmente. Asegúrese de que el interruptor esté en la posición de apagado antes de conectar la herramienta a un suministro de corriente o de colocar un paquete de baterías.** Transportar herramientas eléctricas con el dedo en el interruptor o enchufar herramientas eléctricas que tienen el interruptor encendido puede ocasionar accidentes.
- **Retire toda llave o herramienta de ajuste antes de encender la herramienta eléctrica.** Toda llave o herramienta de ajuste dejada en una pieza giratoria de la herramienta eléctrica puede causar lesiones.
- **No estire el cuerpo para alcanzar mayor distancia. Mantenga una postura firme y buen equilibrio en todo momento.** De esta manera se logra un mejor control de la herramienta eléctrica en situaciones inesperadas.
- **Vístase adecuadamente. No vista ropas holgadas ni joyas. Mantenga el cabello, la ropa y los guantes alejados de las piezas móviles.** Las ropas holgadas y las joyas, así como el cabello largo, pueden engancharse en las piezas móviles.
- **Si se suministran dispositivos para conectar mangueras de extracción y captación de polvo, asegúrese de que éstas estén bien conectadas y se usen correctamente.** El uso de la captación de polvo puede reducir los peligros relacionados con éste.
- **No vista ropas holgadas ni joyas. Recójase el cabello si está largo.** Las ropas holgadas y las joyas, así como el cabello largo, pueden resultar atraídas hacia el interior de las aberturas de ventilación.
- **No utilice la unidad al estar en una escalera o en un soporte inestable.** Una postura estable sobre una superficie sólida permite un mejor control de la herramienta eléctrica en situaciones inesperadas.

EMPLEO Y CUIDADO DE LA HERRAMIENTA ELÉCTRICA

- **No fuerce la herramienta eléctrica. Utilice la herramienta eléctrica adecuada para cada trabajo.** La herramienta eléctrica adecuada efectúa mejor y de manera más segura el trabajo, si además se maneja a la velocidad para la que está diseñada.
- **No utilice la herramienta si el interruptor no enciende o no apaga.** Cualquier herramienta eléctrica que no pueda controlarse con el interruptor es peligrosa y debe repararse.
- **Desconecte la clavija del suministro de corriente o retire el paquete de baterías de la herramienta eléctrica, según sea el caso, antes de efectuarle cualquier ajuste, cambiarle accesorios o guardarla.** Tales medidas preventivas de seguridad reducen el riesgo de poner en marcha accidentalmente la herramienta.
- **Guarde las herramientas eléctricas desocupadas fuera del alcance de los niños y no permita que las utilicen personas no familiarizadas con las mismas o con estas instrucciones.** Las herramientas eléctricas son peligrosas en manos de personas no capacitadas en el uso de las mismas.
- **Preste servicio a las herramientas eléctricas. Revise para ver si hay desalineación o atoramiento de piezas móviles, ruptura de piezas o cualquier otra condición que pueda afectar el funcionamiento de la herramienta. Si está dañada la herramienta eléctrica, permita que la reparen antes de usarla.** Numerosos accidentes son causados por herramientas eléctricas mal cuidadas.

ADVERTENCIAS DE SEGURIDAD PARA HERRAMIENTAS ELÉCTRICAS

- **Mantenga las herramientas de corte afiladas y limpias.** Las herramientas de corte bien cuidadas y con bordes bien afilados, tienen menos probabilidad de atascarse en la pieza de trabajo y son más fáciles de controlar.
- **Utilice la herramienta eléctrica, los accesorios y brocas, hojas y cuchillas de corte, ruedas de esmeril, etc. de conformidad con estas instrucciones, tomando en cuenta las condiciones de trabajo y la tarea por realizar.** Si se utiliza la herramienta eléctrica para operaciones diferentes de las indicadas podría originar una situación peligrosa.

SERVICIO

- **Permita que un técnico de reparación calificado preste servicio a la herramienta eléctrica, y sólo con piezas de repuesto idénticas.** De esta manera se mantiene la seguridad de la herramienta eléctrica.
- **Al dar servicio a una herramienta eléctrica, sólo utilice piezas de repuesto idénticas. Siga las instrucciones señaladas en la sección Mantenimiento de este manual.** El empleo de piezas no autorizadas o el incumplimiento de las instrucciones de mantenimiento puede significar un riesgo de descarga eléctrica o de lesiones de descarga eléctrica o de lesiones.

ADVERTENCIAS DE SEGURIDAD TALADRO

- **Utilice los mangos auxiliares suministrados con la herramienta.** La pérdida de control puede originar lesiones serias.
- **Sujete la herramienta eléctrica por las superficies aisladas de sujeción al efectuar una operación en la cual la herramienta de corte pueda entrar en contacto con cables ocultos o con su propio cordón eléctrico.** Con cualquier contacto de una herramienta de corte con un cable cargado se cargan las piezas metálicas expuestas de la herramienta de corte y recibe una descarga eléctrica el operador.
- **Familiarícese con su herramienta eléctrica. Lea cuidadosamente el manual del operador. Aprenda sus usos y limitaciones, así como los posibles peligros específicos de esta herramienta.** Con el cumplimiento de esta regla se reduce el riesgo de una descarga eléctrica, incendio o lesión seria.
- **Siempre póngase protección ocular con protección lateral con la marca de cumplimiento de la norma ANSI Z87.1.** Con el cumplimiento de esta regla se reduce el riesgo de lesiones corporales serias.
- **Protéjase los pulmones. Use una careta o mascarilla contra el polvo si la operación genera mucho polvo.** Con el cumplimiento de esta regla se reduce el riesgo de lesiones serias.
- **Protéjase los oídos. Durante períodos prolongados de utilización del producto, póngase protecteur d'oreille.** Con el cumplimiento de esta regla se reduce el riesgo de lesiones serias.
- **Inspeccione periódicamente los cordones eléctricos de las herramientas, y si están dañados, permita que los reparen en el centro de servicio autorizado más cercano de la localidad. Observe constantemente la ubicación del cordón eléctrico.** Con el cumplimiento de esta regla se reduce el riesgo de una descarga eléctrica o incendio.
- **Revise para ver si hay piezas dañadas. Antes de seguir utilizando la herramienta, es necesario inspeccionar**

cuidadosamente toda protección o pieza dañada para determinar si funcionará correctamente y desempeñará la función a la que está destinada. Verifique la alineación de las partes móviles, que no haya atoramiento de las mismas, que no haya piezas rotas, el montaje de las piezas y cualquier otra condición que pudiera afectar su funcionamiento. Toda protección o pieza que esté dañada debe repararse apropiadamente o reemplazarse en un centro de servicio autorizado. Con el cumplimiento de esta regla se reduce el riesgo de una descarga eléctrica, incendio o lesión grave.

- **Asegúrese de que esté en buen estado el cordón de extensión. Al utilizar un cordón de extensión, utilice uno del suficiente calibre para soportar la corriente que consume el producto. Se recomienda que los conductores sean de calibre 14 (A.W.G.) por lo menos, para un cordón de extensión de 15 metros (50 pies) de largo o menos. No se recomienda utilizar un cordón con más de 100 pies (30 metros) de largo. Si tiene dudas, utilice un cordón del calibre más grueso siguiente. Cuanto menor es el número de calibre, mayor es el grueso del cordón.** Un cordón de un calibre insuficiente causa una caída en el voltaje de línea, y produce recalentamiento y pérdida de potencia.
- **Inspeccione la madera y elimine todos los clavos presentes en la misma antes de usar esta herramienta.** Con el cumplimiento de esta regla se reduce el riesgo de lesiones serias.
- **Si está dañado el cordón de corriente, debe ser reemplazado únicamente por el fabricante o en un centro de servicio autorizado para evitar riesgos.**
- **Guarde estas instrucciones.** Consúltelas con frecuencia y empléelas para instruir a otras personas que puedan utilizar esta herramienta. Si presta a alguien esta herramienta, facilítele también las instrucciones.

CALIFORNIA - PROPUESTA DE LEY NÚM. 65

ADVERTENCIA:

Este producto y algunos polvos generados al efectuarse operaciones de lijado, aserrado, esmerilado, taladrado y otras actividades de la construcción, contienen sustancias químicas reconocidas por el estado de California como causantes de cáncer, defectos congénitos y otras afecciones del aparato reproductor. **Lávese las manos después de utilizar el aparato.**




Algunos ejemplos de estas sustancias químicas son:

- plomo de las pinturas a base de plomo,
- sílice cristalino de los ladrillos, del cemento y de otros productos de albañilería, y
- arsénico y cromo de la madera químicamente tratada.






El riesgo de la exposición a estos compuestos varía, según la frecuencia con que se realice este tipo de trabajo. Para reducir la exposición personal, trabaje en áreas bien ventiladas, y con equipo de seguridad aprobado, tal como las caretas para el polvo especialmente diseñadas para filtrar partículas microscópicas.

SÍMBOLOS

Las siguientes palabras de señalización y sus significados tienen el objeto de explicar los niveles de riesgo relacionados con este producto.

SÍMBOLO	SEÑAL	SIGNIFICADO
	PELIGRO:	Indica una situación peligrosa inminente, la cual, si no se evita, causará la muerte o lesiones serias.
	ADVERTENCIA:	Indica una situación peligrosa posible, la cual, si no se evita, podría causar la muerte o lesiones serias.
	PRECAUCIÓN:	Indica una situación potencialmente peligrosa la cual, si no se evita, puede causar lesiones leves o moderadas.
	AVISO:	(Sin el símbolo de alerta de seguridad) Indica información importante no relacionada con ningún peligro de lesiones, como una situación que puede ocasionar daños físicos.

Es posible que se empleen en este producto algunos de los siguientes símbolos. Le suplicamos estudiarlos y aprender su significado. Una correcta interpretación de estos símbolos le permitirá utilizar mejor y de manera más segura el producto.

SÍMBOLO	NOMBRE	DENOMINACIÓN/EXPLICACIÓN
	Alerta de seguridad	Indica un peligro posible de lesiones personales.
	Lea el manual del operador	Para reducir el riesgo de lesiones, el usuario debe leer y comprender el manual del operador antes de usar este producto.
	Póngase protección ocular	Siempre póngase protección ocular con protección lateral con la marca de cumplimiento de la norma ANSI Z87.1.
	Alerta de condiciones húmedas	No exponga la unidad a la lluvia ni la use en lugares húmedos.
V	Volts	Voltaje
A	Amperes	Corriente
Hz	Hertz	Frecuencia (ciclos por segundo)
min	Minutos	Tiempo
~	Corriente alterna	Tipo de corriente
n _o	Velocidad en vacío	Velocidad de rotación, en vacío
	Fabricación Clase II	Fabricación con doble aislamiento
.../min	Por minuto	Revoluciones, carreras, velocidad superficial, órbitas, etc., por minuto

ASPECTOS ELÉCTRICOS

DOBLE AISLAMIENTO

El doble aislamiento es una característica de seguridad de las herramientas eléctricas, la cual elimina la necesidad de usar el típico cordón eléctrico de tres conductores con conexión a tierra. Todas las partes metálicas expuestas están aisladas de los componentes metálicos internos del motor por medio de aislamiento de protección. No es necesario conectar a tierra las herramientas con doble aislamiento.

ADVERTENCIA:

El sistema de doble aislamiento está destinado a proteger al usuario contra las descargas eléctricas resultantes de la ruptura del aislamiento interno de la herramienta. Observe todas las precauciones de seguridad para evitar descargas eléctricas.

NOTA: El mantenimiento de una herramienta con doble aislamiento requiere sumo cuidado y conocimiento del sistema, y únicamente deben realizarlo técnicos de servicio calificados. Para el servicio de la herramienta, le sugerimos llevarla al centro de servicio autorizado más cercano para toda reparación. Siempre utilice piezas de repuesto de la fábrica original al dar servicio a la unidad.

CONEXIÓN ELÉCTRICA

Este producto dispone de un motor eléctrico fabricado con precisión. Debe conectarse únicamente a una **línea de voltaje de 120 Volts, de corr. alt. solamente (corriente normal para uso doméstico), 60 Hertz**. No utilice esta herramienta con corriente continua (c.c.). Una caída considerable de voltaje causa una pérdida de potencia y el recalentamiento del motor. Si la herramienta no funciona al conectarla en una toma de corriente, vuelva a verificar el suministro de voltaje.

CORDONES DE EXTENSIÓN

Al utilizar una herramienta eléctrica a una distancia considerable de la fuente de voltaje, asegúrese de utilizar un cordón de extensión con la suficiente capacidad para soportar la corriente de consumo de la herramienta. Un cordón de un calibre insuficiente causa una caída en el voltaje de línea, la cual a su vez produce recalentamiento y pérdida de potencia. Básese en la tabla suministrada para determinar el grueso mínimo requerido del cordón de extensión. Solamente deben utilizarse cordones con forro redondo registrados en Underwriter's Laboratories (UL).

Al trabajar a la intemperie con una herramienta, utilice un cordón de extensión fabricado para uso en el exterior. Este tipo de cordón lleva las letras "WA" o "W" en el forro.

Antes de utilizar un cordón de extensión, inspecciónelo para ver si tiene conductores flojos o expuestos y aislamiento cortado o gastado.

**Amperaje (aparece en la placa frontal de la herramienta)

0-2,0 2,1-3,4 3,5-5,0 5,1-7,0 7,1-12,0 12,1-16,0

Longitud del cordón	Calibre conductores (A.W.G.)					
	16	16	16	16	14	14
25'	16	16	16	16	14	14
50'	16	16	16	14	14	12
100'	16	16	14	12	10	—

**Se usa en los circuitos de calibre 12, 20 amp

NOTA: AWG = American Wire Gauge

ADVERTENCIA:

Mantenga el cordón de extensión fuera del área de trabajo. Al trabajar con una herramienta eléctrica, coloque el cordón de tal manera que no pueda enredarse en la madera, herramientas ni en otras obstrucciones. La inobservancia de esta advertencia puede causar lesiones serias.

ADVERTENCIA:

Inspeccione los cordones de extensión cada vez antes de usarlos. Si están dañados reemplácelos de inmediato. Nunca utilice la herramienta con un cordón dañado, ya que si toca la parte dañada puede producirse una descarga eléctrica, y las consecuentes lesiones serias.

CARACTERÍSTICAS

ESPECIFICACIONES DEL PRODUCTO

Portabrocas 1/2 pulg. (13 mm), de llave
Interruptor..... Velocidad Variable / Invertible
Fuerza de torsión..... 590 lb.pulg.

Velocidad en vacío0-600 r/min
Corriente de entrada 120 V, sólo corriente, 60 Hz, 9 A
Peso neto2,72 kg (6,0 lb)

FAMILIARÍCESE CON SU MEZCLADORA DE LODO/TALADRO

Vea la figura 1, página 11.

Antes de usar esta herramienta, familiarícese con todas las características de funcionamiento y requisitos de seguridad de la misma. No obstante, no permita que su familiarización con la herramienta lo vuelva descuidado. Este nuevo taladro ofrece las siguientes características.

MANGO AUXILIAR

Este taladro está equipado de un mango auxiliar de tres posiciones para facilitar su manejo y evitar la pérdida de control.

SELECTOR DE SENTIDO DE ROTACIÓN (MARCHA ADELANTE/ATRÁS)

El taladro dispone de un selector de sentido de giro (marcha adelante / atrás) situado arriba del gatillo del interruptor para cambiar el sentido de giro de la broca.

BOTÓN DEL SEGURO DE ENCENDIDO

Esta herramienta está equipada de un seguro de encendido para el taladrado y mezclar continuo.

MODO DE MEZCLAR

Utilice el mango auxiliar y las raquetas recomendados (no se incluye) al mezclar compuestos de pintura o de otros compuestos para paredes.

MANGO DE ESPADA

Este taladro está equipado de un mango trasero de espada de dos posiciones para ofrecer un control adecuado a la tarea.

VELOCIDAD VARIABLE

El gatillo del interruptor produce mayor velocidad cuanto mayor presión se aplica en el gatillo, y menor velocidad cuanto menor presión se aplica en el mismo.

ARMADO

DESEMPAQUETADO

Embarcamos este producto completamente armado.

- Extraiga cuidadosamente de la caja la herramienta y los accesorios. Asegúrese de que estén presentes todos los artículos enumerados en la lista de empaquetado.

ADVERTENCIA:

No use este producto si no está totalmente ensamblado o si alguna pieza falta o está dañada. Si utiliza un producto que no se encuentra ensamblado de forma correcta y completa, puede sufrir lesiones graves.

- Inspeccione cuidadosamente la herramienta para asegurarse de que no haya sufrido ninguna rotura o daño durante el transporte.
- No deseche el material de empaque hasta que haya inspeccionado cuidadosamente la herramienta y la haya utilizado satisfactoriamente.
- Si hay alguna parte dañada o faltante, llame al 1-866-539-1710, donde le brindaremos asistencia.

ADVERTENCIA:

Si hay piezas dañadas o faltantes, no utilice esta producto sin haber reemplazado las piezas dañadas o faltantes. Usar este producto con partes dañadas o faltantes puede causar lesiones serias al operador.

ADVERTENCIA:

No intente modificar esta herramienta ni hacer accesorios no recomendados para la misma. Cualquier alteración o modificación constituye maltrato el cual puede causar una condición peligrosa, y como consecuencia posibles lesiones corporales serias.

ADVERTENCIA:

No conecte la unidad al suministro de corriente sin haber terminado de armarla. De lo contrario la unidad puede ponerse en marcha accidentalmente, con el consiguiente riesgo de lesiones .

ADVERTENCIA:

Nunca debe conectarse la herramienta a una fuente de voltaje al montarle piezas, hacerle ajustes, limpiarla, realizarle trabajos de mantenimiento o tenerla desocupada. Desconectándose la herramienta se evita un arranque accidental de la misma que pueda causar lesiones serias.

INSTALACIÓN DEL MANGO AUXILIAR

Vea la figura 2, página 11.

Este taladro está equipado de un mango auxiliar para facilitar su manejo y ayudar a evitar la pérdida de control. El mango auxiliar puede instalarse en tres posiciones diferentes en el cuerpo del taladro y y debe ser utilizado al batido de pinturas y de otros compuestos para paredes.

ARMADO

ADVERTENCIA:

Siempre utilice el mango auxiliar cuando emplee esta herramienta para resistir mejor las reacciones de fuerza de torsión. Si este producto se atora o se cala, se podrían producir lesiones personales graves.

Para instalar el mango auxiliar:

- Introduzca el extremo roscado del mango en uno de los tres orificios del taladro, como se muestra en la figura 2.
- Apriete el mango auxiliar en el ángulo deseado girándolo hacia la derecha.

Para evitar dañar la rosca y perder el control, debe verificarse periódicamente el apriete del mango auxiliar. No maneje el taladro con el mango flojo.

FUNCIONAMIENTO

ADVERTENCIA:

No permita que su familiarización con los productos lo vuelva descuidado. Tenga presente que un descuido de un instante es suficiente para causar una lesión grave.

ADVERTENCIA:

Siempre póngase protección ocular con protección lateral con la marca de cumplimiento de la norma ANSI Z87.1. La inobservancia de esta advertencia puede permitir que los objetos lanzados hacia los ojos puedan provocar lesiones graves.

ADVERTENCIA:

No utilice ningún aditamento o accesorio no recomendado por el fabricante de este producto. El empleo de aditamentos o accesorios no recomendados podría causar lesiones graves.

Para **ENCENDER** el taladro, oprima el gatillo del interruptor. Para **DETENER** el taladro, suelte el gatillo del interruptor y permita que se detenga completamente el portabrocas.

NOTA: Un silbido o zumbido que viene del interruptor durante el uso es una parte normal de la función del interruptor.

BOTÓN DEL SEGURO DE ENCENDIDO

Vea la figura 4, página 11.

Este taladro está equipado de un seguro de encendido, el cual es muy útil cuando se requiere un taladrado continuo durante períodos de tiempo prolongados.

Para poner el seguro de encendido:

- Oprima el gatillo del interruptor.
- Empuje hacia adentro y no deje salir el botón del seguro de encendido, el cual está situado en el costado del mango.
- Suelte el gatillo del interruptor.
- Suelte el botón del seguro de encendido y el taladro continuará funcionando.
- Para quitar el seguro, oprima el gatillo del interruptor y suéltelo.

Si el seguro de encendido está puesto al usar el taladro, y éste se desconecta accidentalmente del suministro de voltaje, quite el seguro de encendido de inmediato.

SELECTOR DE SENTIDO DE ROTACIÓN (MARCHA ADELANTE/ATRÁS)

Vea la figura 5, página 11.

El sentido de rotación de la broca es invertible y se controla con un selector, situado arriba del gatillo del interruptor. Con la herramienta sostenido en la posición normal de trabajo, el selector de sentido de rotación debe estar a la izquierda del gatillo del interruptor para el enroscado. El sentido de rotación está invertido cuando el selector se encuentra a la derecha del gatillo del interruptor.

NOTA: La herramienta no funciona a menos que se empuje el selector de dirección de giro completamente a la izquierda o derecha.

AVISO:

Para no dañar el engranaje, antes de cambiar el sentido de rotación siempre permita que se detenga completamente el portabrocas.

USOS

Esta producto puede emplearse para los fines siguientes:

- Taladrado en madera, metales duros, y metales blandos
- Batido de pinturas y de otros compuestos para paredes

MANGO DE ESPADA

Vea la figura 3, página 11.

El mango de espada puede girarse 360° para facilitar el uso y aumentar el control de la herramienta. Para ajustar el mango tipo espada, sujételo y gírelo hasta la posición deseada.

NOTA: El mango tipo espada no debe usarse como mango auxiliar para resistir reacciones de fuerza de torsión.

GATILLO DEL INTERRUPTOR DE VELOCIDAD VARIABLE

Vea la figura 4, página 11.

El gatillo de velocidad variable produce mayor velocidad cuanto mayor presión se aplica en el gatillo, y menor velocidad cuanto menor presión se aplica en el mismo.

FUNCIONAMIENTO

LLAVE DEL PORTABROCAS

Vea la figura 6, página 11.

Se suministra una llave de portabrocas para montar o desmontar brocas. Cuando no está utilizándose, la llave del portabrocas puede colocarse en el almacenamiento de la llave del portabrocas ubicados en el cordón eléctrico.

PARA MONTAR Y DESMONTAR LAS BROCAS

Vea las figuras 7 y 8, página 11.

Para montar las brocas:

- Desenchufe el taladro.
- Introduzca la llave del portabrocas y gírela hacia la izquierda.
- Abra o cierre las mordazas del portabrocas hasta que la abertura sea levemente más grande que la broca deseada. Además, eleve levemente la parte frontal del taladro para evitar que la broca caiga de las mordazas del portabrocas.
- Introduzca la broca en el portabrocas.

ADVERTENCIA:

Asegúrese de introducir la broca recta en las mordazas del portabrocas. No introduzca la broca en las mordazas del portabrocas para después apretarla como se muestra en la figura 8. Podría causar el lanzamiento de la broca, y por consecuencia, posibles lesiones corporales serias, o daños al portabrocas.

- Apriete firmemente la broca en las mordazas con la llave suministrada para el portabrocas. No utilice ninguna llave para apretar o aflojar las mordazas del portabrocas. Para obtener un desempeño óptimo de la unidad, repita esta operación con los dos orificios adicionales para la llave.
- Retire la llave del portabrocas y vuelva a colocarla en el almacenamiento de la llave del portabrocas.

Para desmontar las brocas:

- Desenchufe el taladro.
- Afloje las mordazas con la llave suministrada para el portabrocas.
- Retire la broca de las mordazas del portabrocas.
- Retire la llave del portabrocas y vuelva a colocarla en el almacenamiento de la llave del portabrocas.

TALADRADO

Vea las figuras 9 y 10, página 12.

- Para asegurarse de que el taladro esté en la posición de **APAGADO** antes de conectarlo en el suministro de corriente, oprima y suelte el gatillo del interruptor.
- Revise el selector de sentido de rotación para ver si está en la posición correcta (marcha adelante o atrás).
- Asegure la pieza de trabajo en una prensa de banco, o con abrazaderas de mano, para evitar que rote al girar la broca.
- Instale el mango auxiliar.
- Enchufe el taladro en el suministro de corriente.
- Sostenga firmemente el taladro y coloque la broca en el punto donde va a taladrar.

- Oprima el gatillo del interruptor para encender el taladro. No asegure el interruptor en la posición de **ENCENDIDO** para trabajos en los cuales pueda necesitarse detener súbitamente el taladro.
- Introduzca la broca en la pieza de trabajo aplicando justamente la presión suficiente para mantener la broca perforando el material. No fuerce el taladro ni aplique presión lateral para ovalar el orificio. Permita que la herramienta realice el trabajo.

ADVERTENCIA:

Esté preparado por si se atasca la broca al traspasar la pieza de trabajo. Cuando ocurren estas situaciones, el taladro presenta una tendencia a trabarse y dar un contragolpe en la dirección opuesta, y podría causar una pérdida de control al perforar el material. Si usted no está preparado, esta pérdida de control podría ser causa de lesiones serias.

- Para taladrar superficies lisas y duras utilice un punzón de marcar para señalar la ubicación de la perforación. De esta manera se evita que la broca se desplace del centro al iniciar la perforación.
- Al taladrar metales aplique aceite de baja viscosidad en la broca para evitar el recalentamiento de la misma. El aceite prolonga la vida de servicio de la broca y aumenta la eficacia de la operación de taladrado.
- Si se atora la broca en la pieza de trabajo, o si se detiene el taladro, apague de inmediato la herramienta. Retire la broca de la pieza de trabajo y determine la razón causante del atoramiento.

Para mezclar:

- Coloque una broca de pala (no provista) en el portabrocas.
- Coloque la broca de pala en el interior de la mezcla y presione lentamente el gatillo. Cuando comience a mezclarse, aumente la velocidad del taladro. Utilice el mango auxiliar para tener más control.

TALADRADO EN MADERA Y METAL

Para obtener un desempeño óptimo de la unidad, utilice brocas de acero de alta velocidad para taladrado en madera o en metal. Comience a taladrar a una velocidad muy baja para impedirle a la broca abandonar el punto inicial.

Taladrado en madera:

- Aumente la velocidad a medida que la broca penetra en el material.
- Al taladrar orificios de lado a lado, coloque un bloque de madera detrás de la pieza de trabajo para evitar producir orillas deshilachadas o astilladas en la parte posterior del orificio.

Taladrado en metal y acero:

- Mantenga una velocidad y una presión tales que permitan taladrar sin recalentar la broca. Si se aplica demasiada presión:
 - Se recalienta el taladro;
 - Se gastan los cojinetes;
 - Se doblan o queman las brocas; y
 - Se producen orificios descentrados o de forma irregular.
- Al taladrar agujeros grandes en metal, comience con una broca pequeña y luego termine con una grande. También, lubrique la broca con aceite para mejorar la acción de taladrado y aumentar la vida de servicio de la broca.

MANTENIMIENTO

ADVERTENCIA:

Para el servicio de la unidad sólo utilice piezas de repuesto RIDGID idénticas. El empleo de piezas diferentes puede presentar un peligro o causar daños al producto.

ADVERTENCIA:

Siempre póngase protección ocular con protección lateral con la marca de cumplimiento de la norma ANSI Z87.1. La inobservancia de esta advertencia puede permitir que los objetos lanzados hacia los ojos puedan provocarle lesiones graves.

MANTENIMIENTO GENERAL

Evite el empleo de solventes al limpiar piezas de plástico. La mayoría de los plásticos son susceptibles a diferentes tipos de solventes comerciales y pueden resultar dañados. Utilice paños limpios para eliminar la suciedad, el polvo de los carbones, el aceite, la grasa, etc.

ADVERTENCIA:

No permita en ningún momento que fluidos para frenos, gasolina, productos a base de petróleo, aceites penetrantes, etc., lleguen a tocar las piezas de plástico. Las sustancias químicas pueden dañar, debilitar o destruir el plástico, lo cual a su vez puede producir lesiones corporales serias.

Las herramientas eléctricas que se utilizan en materiales de fibra de vidrio, paneles de yeso para paredes, compuestos de resanar o yeso, están sujetas a desgaste acelerado y posible fallo prematuro porque las partículas y limaduras de fibra de vidrio son altamente abrasivas para los cojinetes, escobillas, conmutadores, etc. Por consiguiente, no recomendamos el uso de esta herramienta durante períodos prolongados de trabajo en estos tipos de materiales. Sin embargo, si usted trabaja con cualquiera de estos materiales, es sumamente importante limpiar la herramienta con aire comprimido.

LUBRICACIÓN

Todos los cojinetes de esta herramienta están lubricados con suficiente cantidad de aceite de alta calidad para toda la vida útil de la herramienta en condiciones normales de funcionamiento. Por lo tanto, no se necesita lubricación adicional.

REEMPLAZO DEL CORDÓN DE CORRIENTE

El fabricante o un centro de servicio autorizado deben cambiar el cordón de corriente, en caso de que sea necesario, para evitar peligros.

GARANTÍA

HERRAMIENTAS ELÉCTRICAS DE MANO Y ESTACIONARIAS RIDGID® GARANTÍA DE SERVICIO LIMITADA DE TRES AÑOS

Debe presentarse prueba de la compra al solicitar servicio al amparo de la garantía.

Se limita a las herramientas de mano y estacionarias RIDGID® adquiridas a partir de 1/Feb./04. Este producto está manufacturado por One World Technologies, Inc., La licencia de uso de la marca comercial es otorgada por RIDGID, Inc. Toda comunicación en relación con la garantía debe dirigirse a One World Technologies, Inc., a la atención de: Servicio Técnico de Herramientas Eléctricas de Mano y Estacionarias RIDGID, al (línea gratuita) 1-866-539-1710.

POLÍTICA DE GARANTÍA DE SATISFACCIÓN DE 90 DÍAS

Durante los primeros 90 días a partir de la fecha de compra, si no está satisfecho con el desempeño de esta herramienta de mano o estacionaria RIDGID® por cualquier razón, puede devolverla al establecimiento donde la adquirió, donde se le proporcionará un reembolso total o un intercambio. Para recibir una herramienta de reemplazo, debe presentar documentación de prueba de la compra, y devolver el equipo original empaquetado con el producto original. La herramienta de reemplazo queda cubierta por la garantía limitada por el resto del período de garantía de servicio de 3 AÑOS.

LO QUE ESTÁ CUBIERTO POR LA GARANTÍA DE SERVICIO LIMITADA DE 3 AÑOS

Esta garantía de las herramientas de mano y estacionarias RIDGID® cubre todos los defectos en materiales y mano de obra, así como piezas desgastables como escobillas, portabrocas, motores, interruptores, cordones eléctricos, engranajes e incluso las pilas inalámbricas de esta herramienta RIDGID® por tres años a partir de la fecha de compra de la herramienta. Las garantías de otros productos RIDGID® pueden ser diferentes.

FORMA DE OBTENER SERVICIO

Para obtener servicio para esta herramienta RIDGID®, debe devolverla, ya sea con el flete pagado por anticipado, o llevarla a un centro de servicio autorizado para herramientas eléctricas de mano y estacionarias de la marca RIDGID®. Para obtener información sobre el centro de servicio autorizado más cercano a usted, le suplicamos llamar al (línea gratuita) 1-866-539-1710 o visitar el sitio electrónico de RIDGID® en la red mundial, www.ridgid.com. Al solicitar servicio al amparo de la garantía, debe presentar el recibo fechado de venta. El centro de servicio autorizado reparará toda mano de obra deficiente del producto, y reparará o reemplazará cualquier pieza cubierta en la garantía, a nuestra sola discreción, sin ningún cargo al consumidor.

LO QUE NO ESTÁ CUBIERTO

Esta garantía se ofrece exclusivamente al comprador original al menudeo y no puede transferirse. Esta garantía sólo cubre defectos que surjan en el uso normal de la herramienta y no cubre ningún malfuncionamiento, falla o defecto producido por el uso indebido, maltrato, negligencia, alteración, modificación o reparación efectuada por terceros diferentes de los centros de servicio autorizados para herramientas eléctricas de mano y estacionarias de la marca RIDGID®. No están cubiertos los accesorios suministrados con la herramienta, como las hojas, brocas, papel de lija, etc.

RIDGID, INC. Y ONE WORLD TECHNOLOGIES, INC. NO OFRECEN NINGUNA GARANTÍA, DECLARACIÓN O PROMESA EN RELACIÓN CON LA CALIDAD O EL DESEMPEÑO DE SUS HERRAMIENTAS ELÉCTRICAS MÁS QUE LAS SEÑALADAS ESPECÍFICAMENTE EN ESTA GARANTÍA.

LIMITACIONES ADICIONALES

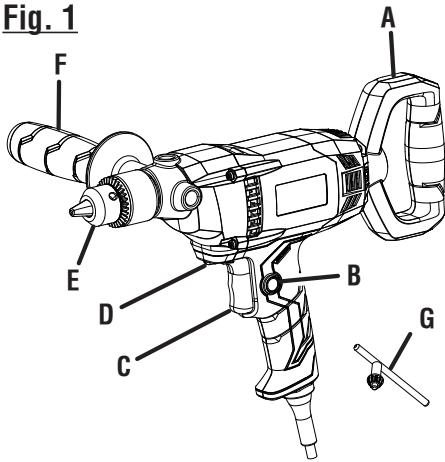
Hasta donde lo permiten las leyes relevantes, se desconoce toda garantía implícita, incluidas las GARANTÍAS DE COMERCIABILIDAD o IDONEIDAD PARA UN USO EN PARTICULAR. Toda garantía implícita, incluidas las garantías de comerciabilidad o idoneidad para un uso en particular, que no pueda desconocerse según las leyes estatales, está limitada a tres años a partir de la fecha de compra. One World Technologies, Inc. y RIDGID, Inc. no son responsables de daños directos, indirectos, incidentales o consecuentes. Algunos estados no permiten limitaciones en cuanto al período de vigencia de una garantía implícita y/o no permiten exclusiones o limitaciones de daños incidentales o consecuentes, por lo tanto es posible que esta limitación no se aplique en el caso de usted. Esta garantía le confiere derechos legales específicos, y es posible que usted goce de otros derechos, los cuales pueden variar de estado a estado.

One World Technologies, Inc.

Hwy. 8

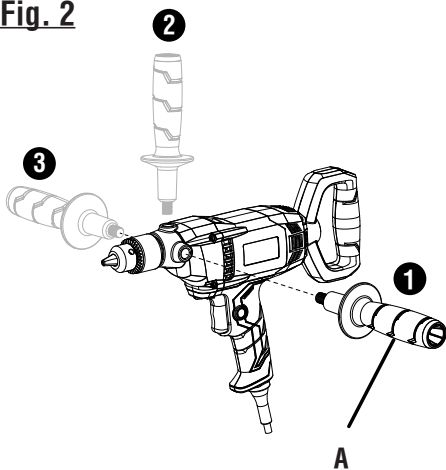
Pickens, SC 29671

Fig. 1



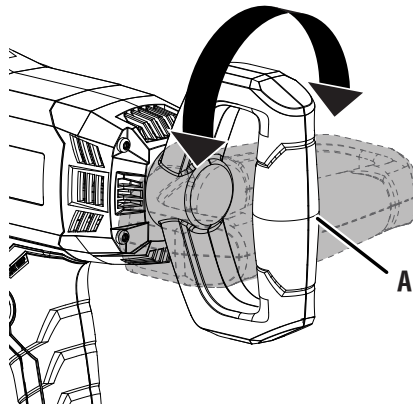
- A - Spade handle (poignée beche, mango de espada)
- B - Lock-on button (verrouillage bouton, seguro de encendido botón)
- C - Switch trigger (gâchette de commutateur, gatillo del interruptor)
- D - Direction of rotation selector (forward/reverse) (sélecteur de sens de rotation [avant/arrière], selector de sentido de rotación [adelante / atrás])
- E - Chuck (mandrin, portabrocas)
- F - Auxiliary handle (poignée auxiliaire, mango auxiliar)
- G - Chuck key (clé de mandrin, llave del portabrocas)

Fig. 2



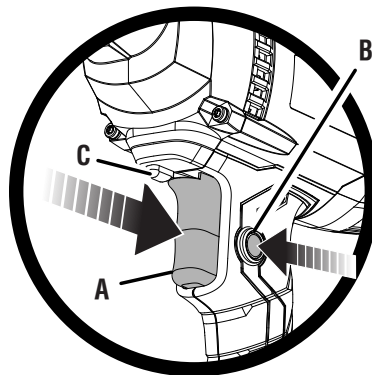
- A - Auxiliary handle (poignée auxiliaire, mango auxiliar)

Fig. 3



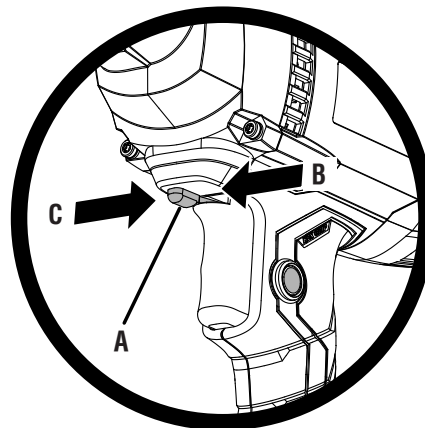
- A - Spade handle (poignée beche, mango de espada)

Fig. 4



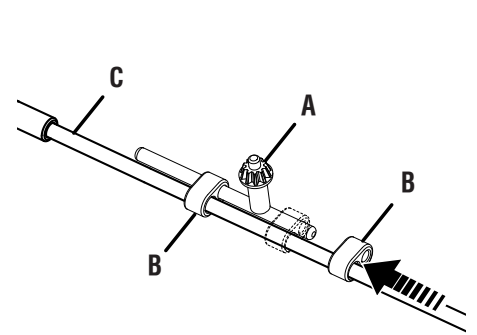
- A - Switch trigger (gâchette de commutateur, gatillo del interruptor)
- B - Lock-on button (bouton de verrouillage, botón del seguro de encendido)
- C - Direction of rotation selector (forward/reverse) (sélecteur de sens de rotation [avant/arrière], selector de sentido de rotación [adelante / atrás])

Fig. 5



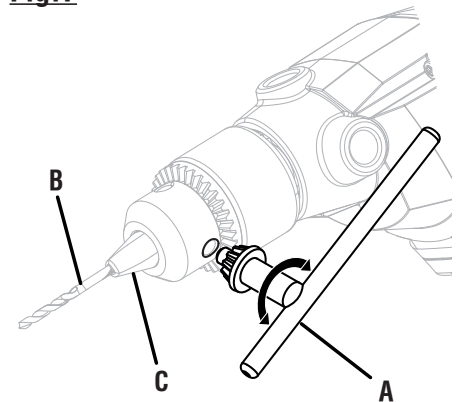
- A - Direction of rotation selector [forward/reverse] (sélecteur de sens de rotation [avant/arrière], selector de sentido de rotación [adelante / atrás])
- B - For reverse operation (pour marche arrière, para marcha atrás)
- C - For forward operation (pour marche avant, para marcha adelante)

Fig. 6



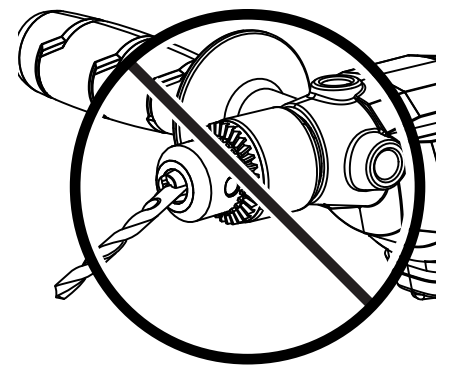
- A - Chuck key (clé de mandrin, llave del portabrocas)
- B - Chuck key storage (porte-clé du mandrin, almacenamiento de la llave del portabroca)
- C - Power cord (cordon endommagé, cordón eléctrico)

Fig. 7



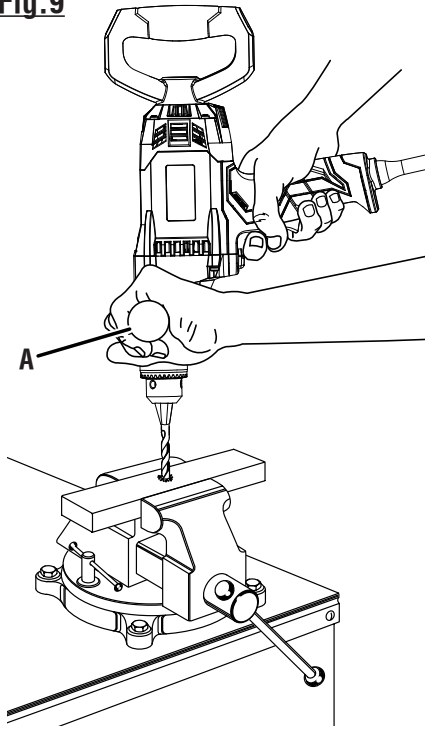
- A - Chuck key (clé de mandrin, llave del portabrocas)
- B - Drill bit (foret, broca)
- C - Chuck jaws (mors du mandrin, mordazas del portabrocas)

Fig. 8



WRONG / INCORRECT / FORMA INCORRECTA

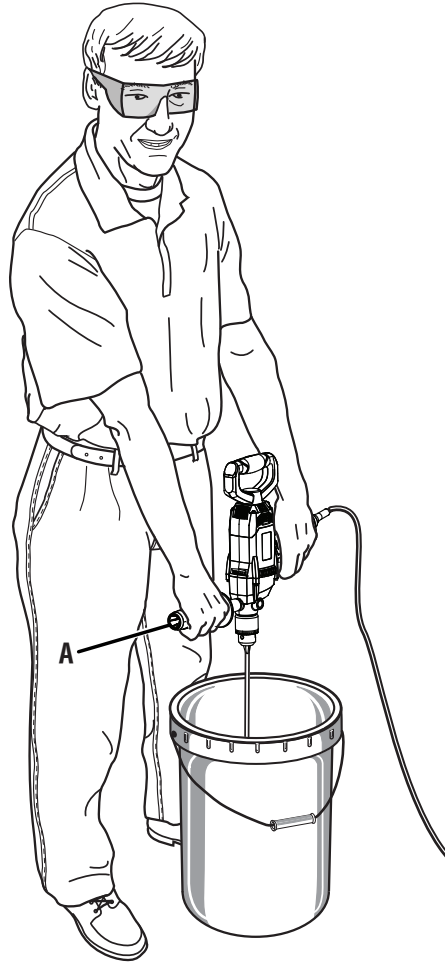
Fig.9



A - Auxiliary handle (poignée auxiliaire, mango auxiliar)

Fig. 10

**MIXING COMPOUNDS
MÉLANGER COMPOSE
MEZCLAR COMPONE**



A - Auxiliary handle (poignée auxiliaire, mango auxiliar)

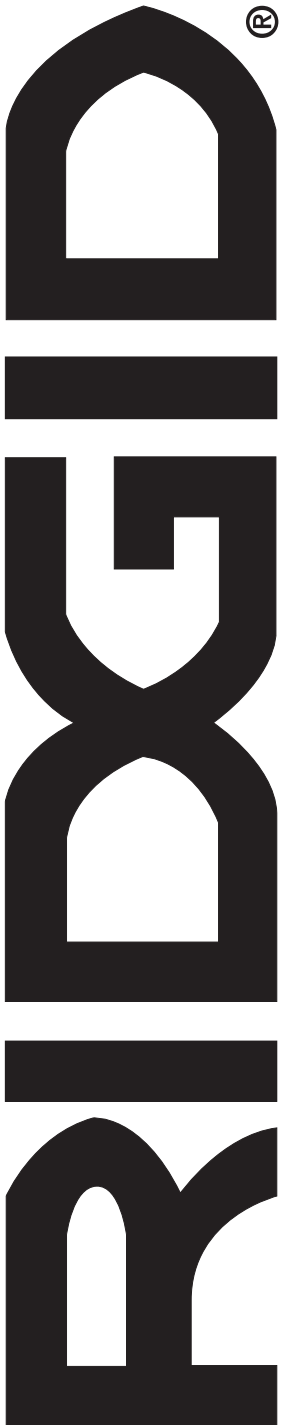
OPERATOR'S MANUAL MANUEL D'UTILISATION MANUAL DEL OPERADOR

1/2 in. MUD MIXER/DRILL

13 mm (1/2 po) MÉLANGEUR DE BOUE/PERCEUSE

13 mm (1/2 pulg.) MEZCLADORA DE LODO/TALADRO

R7122



Customer Service Information:

For parts or service, contact your nearest RIDGID® authorized service center. Be sure to provide all relevant information when you call or visit. For the location of the authorized service center nearest you, please call 1-866-539-1710 or visit us online at www.ridgid.com.

The model number of this tool is found on a plate attached to the motor housing. Please record the serial number in the space provided below. When ordering repair parts, always give the following information:

Model No. _____

Serial No. _____

Service après-vente :

Pour acheter des pièces ou pour un dépannage, contacter le centre de réparations RIDGID® agréé le plus proche. Veiller à fournir toutes les informations pertinentes lors de tout appel téléphonique ou visite. Pour obtenir l'adresse du centre de réparations agréé le plus proche, téléphoner au 1-866-539-1710 ou visiter notre site www.ridgid.com.

Le numéro de modèle se trouve sur une plaquette fixée au boîtier du moteur. Noter le numéro de série dans l'espace ci-dessous. Lors de toute commande de pièces détachées, fournir les informations suivantes :

No. de modèle _____

No. de série _____

Información sobre servicio al consumidor:

Para piezas de repuesto o servicio, comuníquese con el centro de servicio autorizado de productos RIDGID® de su preferencia. Asegúrese de proporcionar todos los datos pertinentes al llamar o al presentarse personalmente. Para obtener información sobre el centro de servicio autorizado más cercano a usted, le suplicamos llamar al 1-866-539-1710 o visitar nuestro sitio en la red mundial, en la dirección www.ridgid.com.

El número de modelo de este producto se encuentra en una placa adherida al alojamiento del motor. Le suplicamos anotar el número de serie en el espacio suministrado abajo. Al pedir piezas de repuesto siempre proporcione la siguiente información:

Núm. de modelo _____

Núm. de serie _____