

**LED Indoor Luminaires**  
**Wall Mount**  
**120VAC / 60Hz**

**Safety Precautions**

- Read all safety precautions and installation instructions carefully before installing or servicing this fixture. Failure to comply with these instructions could result in potentially fatal electric shock and/or property damage.
- It is recommended that a qualified electrician perform all wiring. This fixture must be wired in accordance with all national and local electrical codes.
- Do not handle any energized fixture or attempt to energize any fixture with wet hands or while standing on a wet or damp surface or in water.
- This fixture is designed for use in a 120VAC, 60Hz fused circuit, dimmable with triac dimmer.
- To reduce the risk of electrical shock, and to assure proper operation, this fixture must be adequately grounded. To accomplish proper grounding, there must be a separate ground wire (green) contact between this fixture and the ground connection of your main power supply panel.
- This fixture is intended to be used for general indoor lighting in dry or damp locations.
- Disclaimer

Changes or modifications not expressly approved by the party responsible for compliance could void the user's authority to operate the equipment. NOTE: This equipment has been tested and found to comply with the limits for a Class B digital device, pursuant to Part 15 of the FCC Rules and Canadian ICES-005 (B) / NMB-005 (B). These limits are designed to provide reasonable protection against harmful interference in a residential installation. This equipment generates uses and can radiate radio frequency energy and, if not installed and used in accordance with the instructions, may cause harmful interference to radio communications. However, there is no guarantee that interference will not occur in a particular installation. If this equipment does cause harmful interference to radio or television reception, which can be determined by turning the equipment off and on, the user is encouraged to try to correct the interference by one or more of the following measures:

- Reorient or relocate the receiver antenna.
- Increase the separation between the equipment and receiver.
- Connect the equipment into an outlet on a circuit different from that to which the receiver is connected.
- Consult with the dealer or an experienced radio/TV technician for help.

Any modifications to this fixture may void the warranty and interfere with the safe operation of the luminaire.

Operation is subject to the following two conditions: (1) this device may not cause interference, and (2) this device must accept any interference, including interference that may cause undesired operation of the device.

**Assembly Instructions**

**Step 1 - Preparing for installation.**

- Disconnect electrical power** at fuse or circuit breaker box before installing or servicing any part of this fixture.
- Carefully remove the fixture from the carton and check that all parts are included.
- Remove mounting hardware from parts bag.
- Install mounting bracket (1) to the junction box (not provided) by securing it with two screws (2).
- Install stem (3) to mounting bracket allowing only about 1 inch to protrude outward then secure with jam nut (4).

**Wiring-all wiring must take place inside junction box (not included).**

**Caution:** Make sure power is off at fuse or circuit breaker box. Check power wires for damage or scrapes. Use wire suitable for at least 90°C (194°F).

**Note:** Most dwellings built before 1985 have supply wire rated to 60C. Consult a qualified electrician before installing.

**Step 2 – Wiring fixture.**

- Make all wire connections to appropriate wire. Secure with wire nuts (provided).
- Connect the ground wire from supply power source to the green screw on the gem bar.
- The black wire from the fixture is connected to the black (L) wire from supply power source.
- The white wire from the fixture is connected to the white (N) wire from supply power source.
- Tuck all connections neatly into the junction box.

**Step 3 – Mounting.**

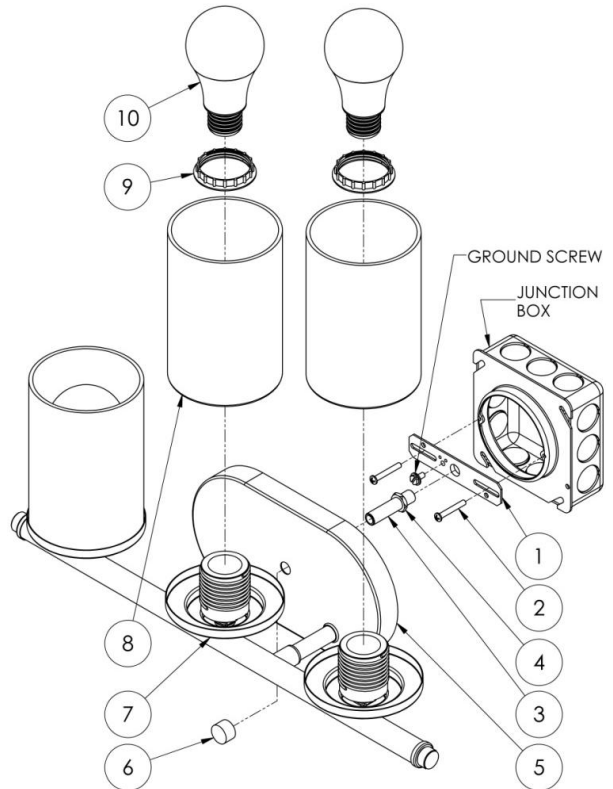
- Install fixture (5) base over the mounting bracket by aligning center hole to the stem (3) and secure with finial (6). Note: fixture can be mounted up or down. Illustration shown as up orientation.
- Install glass diffuser (8) onto lamp holder (7) and secure with threaded ring (9). Repeat for all diffusers.
- Install medium base A19 LED lamps (provided) into the lamp sockets by rotating clockwise to tighten. Repeat until all lamps are installed.

**Step 4 - Restore power at fuse or circuit breaker box.**

Limited Factory Warranty

This product is manufactured by AFX Inc. AFX warrants this fixture is free from defects in materials and workmanship when installed and used under normal operating conditions for a period of 5 years from date of purchase. This warranty covers all component parts and extends only to replacement of defective fixture or components; it does not cover failure due to improper installation, misuse, mishandling or damage incurred in transit. For questions, please call AFX at 1-800-873-2326.

Exclusively Distributed By:  
HD Supply Facilities Maintenance, Ltd.  
Atlanta, GA 30339  
© 2018  
Made in China



837832 - Model shown

8061097 R0

To Reorder:

1-800-431-3000  
hdsupplysolutions.com