

COLONY 5™ WHIRLPOOL AND BATHING POOL

- 2675.018 Whirlpool featuring System I:**
 - Acrylic with fiberglass reinforcement
 - Dual, molded-in armrests at lumbar area
 - 1.25 HP single speed, self-draining pump/motor with dry run seal
 - Factory installed power cord with plug
 - Six multi-directional and individually flow-rate adjustable color-coordinated jets
 - Deck-mounted, color-coordinated air switch On/Off control
 - Single, color-coordinated air volume control
 - Factory installed and tested whirlpool system

- 2675.018C EverClean™ Whirlpool Massage Featuring System I:**
 - Same as 2675.018 except with the EverClean™ whirlpool system featuring Antimicrobial AlphaSan®

- 2675.002 Bathing Pool**
 - Same as above without whirlpool system

Nominal Dimensions:

1524 x 832 x 502mm
(5' x 32-3/4" x 19-3/4")

**Compliance Certifications -
Meets or Exceeds the Following Specifications:**

- Underwriters Laboratories - Hydromassage Bathtubs UL 1795
- ASME A112.19.7M for Whirlpool Appliances
- ANSI Z124.1 for Plastic Bathtubs
- ASTM E162 for Flammability
- NFPA 258 for Smoke Density



To Be Specified - Required:

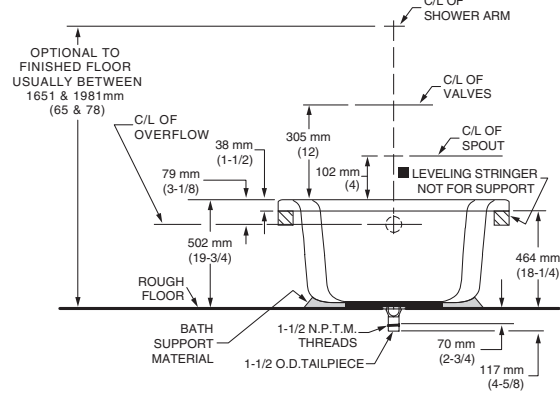
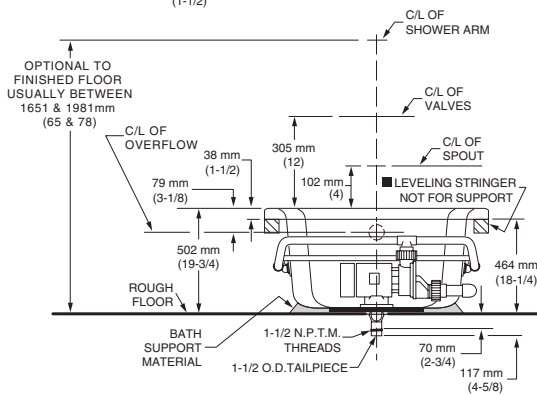
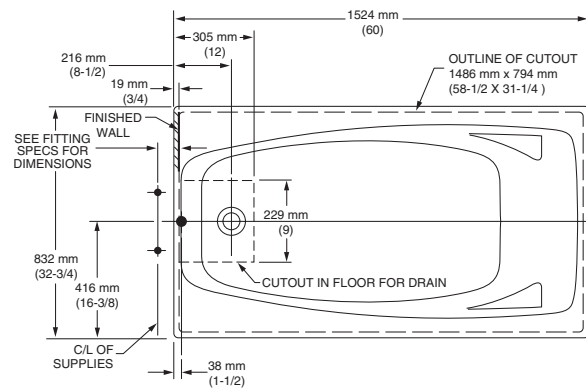
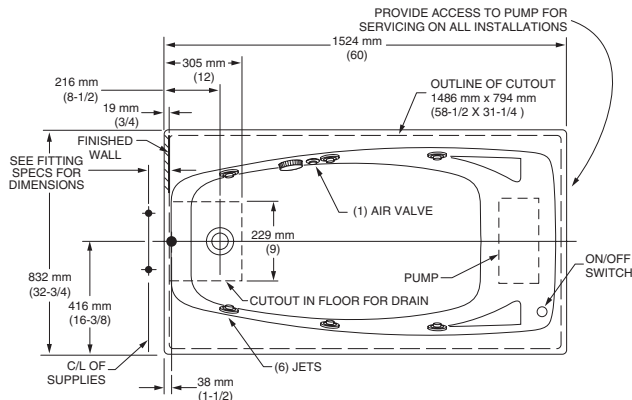
- Color:
- Bath Faucet: (specify finish)
- Bath Drain: 1583.470 (specify finish)

To Be Specified - Optional:

- 5 Foot Acrylic Apron: 9260.018 (specify color)
- 5 Foot Apron: 9360.018 (specify color)
- Grab Bar Kit: 9822.200-two per kit (specify finish)
- Jet Trim Ring Kit: 9860.200-two per kit (specify finish) for Body Massage Jets only
- Universal Tile Bead Kit: 751755-100

For color/finish availability and other faucet choices, please see the Product Selector and Pricing Guide.

SEE REVERSE FOR ROUGHING-IN DIMENSIONS
AND PRODUCT SPECIFICATIONS



GENERAL SPECIFICATIONS FOR 2675 WHIRLPOOL

INSTALLED SIZE _____ 60 x 32-3/4 x 19-3/4 In. (1524 x 832 x 502mm)

WEIGHT _____ 95 Lbs. (43 Kg.)

WEIGHT w/WATER _____ 604 Lbs. (275 Kg.)

GAL. TO OVERFLOW _____ 61 Gal. (230 L.)

WHIRLPOOL MIN. OPERATING VOL. _____ 42 Gal. (159 L.)

BATHING WELL AT SUMP _____ 20 x 39 In. (508 x 991mm)

BATHING WELL AT RIM _____ 27-1/2 x 56 In. (699 x 1422mm)

WATER DEPTH TO OVERFLOW _____ 14-1/4 In. (362mm)

FLOOR LOADING _____ 44 Lbs./Sq. Ft. (213 Kgs/Sq. m.) (PROJECTED AREA)

PTS. _____ 15.6

CUBE (FT³) _____ 29.6

WHIRLPOOL ELECTRICAL SPECIFICATIONS

SYSTEM I PUMP _____ 1.1 HP, 9.9 AMPS, 120V.

GENERAL SPECIFICATIONS FOR 2675 BATHING POOL

INSTALLED SIZE _____ 60 x 32-3/4 x 19-3/4 In. (1524mm x 832 mm x 502mm)

WEIGHT _____ 70 Lbs. (32 Kg.)

WEIGHT w/WATER _____ 579 Lbs. (261 Kg.)

GAL. TO OVERFLOW _____ 61 Gal. (230 L.)

BATHING WELL AT SUMP _____ 20 x 39 In. (508 mm x 991mm)

BATHING WELL AT RIM _____ 27-1/2 x 56 In. (699 mm x 1422mm)

WATER DEPTH TO OVERFLOW _____ 14-1/4 In. (362mm)

FLOOR LOADING _____ 42 Lbs./Sq. Ft. (202 Kgs/Sq. m.) (PROJECTED AREA)

PTS. _____ 15.6

CUBE (FT³) _____ 29.6

NOTES:

BATH CAN BE INSTALLED EITHER ABOVE OR BELOW FLOOR LINE AS PIER, ISLAND, OR PENINSULA TYPE INSTALLATION. SUPPORT OF BATH BY SUMP BEDDING. SUPPORT AND ENCLOSING MATERIAL BY OTHERS.

■ REFER TO INSTALLATION INSTRUCTIONS SUPPLIED WITH WHIRLPOOL FOR ADDITIONAL INFORMATION.

OPTIONAL 3 WALL TILING BEAD KIT AND APRON NO. 9260.018 OR 9360.018, AND GRAB BAR KIT NO. 9822.200 AVAILABLE AND MUST BE ORDERED SEPARATELY.

FITTINGS NOT INCLUDED AND MUST BE ORDERED SEPARATELY.

PROVIDE SUITABLE REINFORCEMENT FOR ALL SUPPORTS.

IMPORTANT: Dimensions of fixtures are nominal and may vary within the range of tolerances established by ANSI Standard Z124.1. These measurements are subject to change or cancellation. No responsibility is assumed for use of superseded or voided pages.