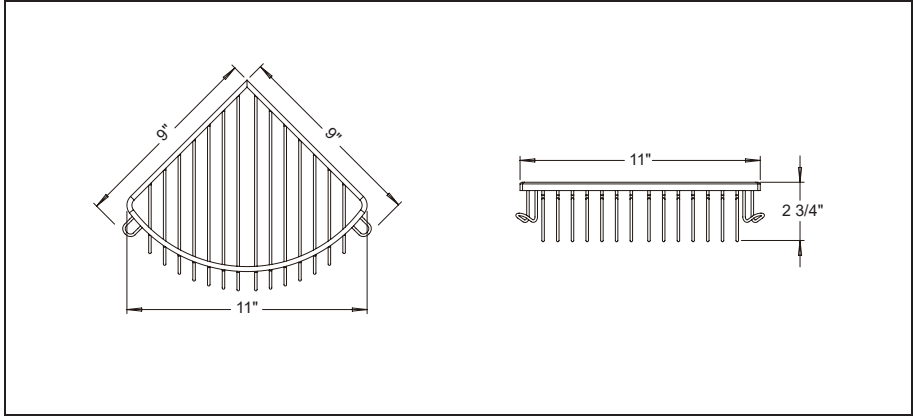
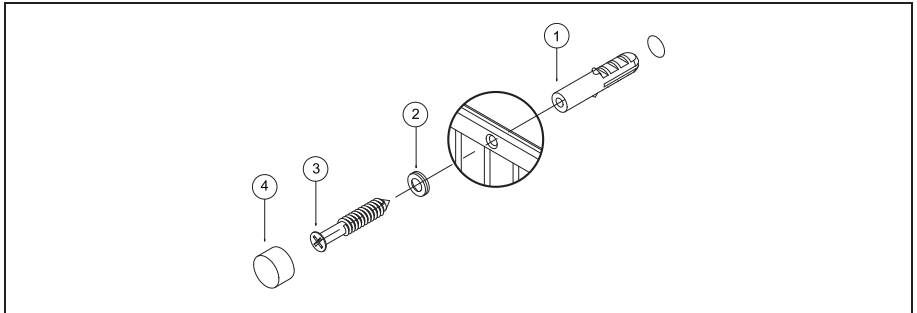


SSSB06 : 9" x 9" Corner Bottle Basket - Stainless Steel SS304

Dimensions:



Installation:



1. Hold up Basket to wall to mark screw locations through screw holes. Use LEVEL to verify positions are level.
2. Use a DRILL to drill the holes for the screw anchors (1). Please note that BOTH Regular screw anchors AND Drywall screw anchors are included, depending on the surface for installation. For the Regular screw anchors use a 1/4" drill bit. For Drywall screw anchors use a 3/8" drill bit.
3. Insert screw anchors (1) flush to wall surface.
4. Insert the Cap Fixers (2) onto the screws (3) before attaching screws.
5. Hold basket in position and attach screws.
6. Affix Caps (4) onto Cap Fixers (2).

For Installation directly to Wood Stud or Wood Surface, omit steps 2 and 3 above.