

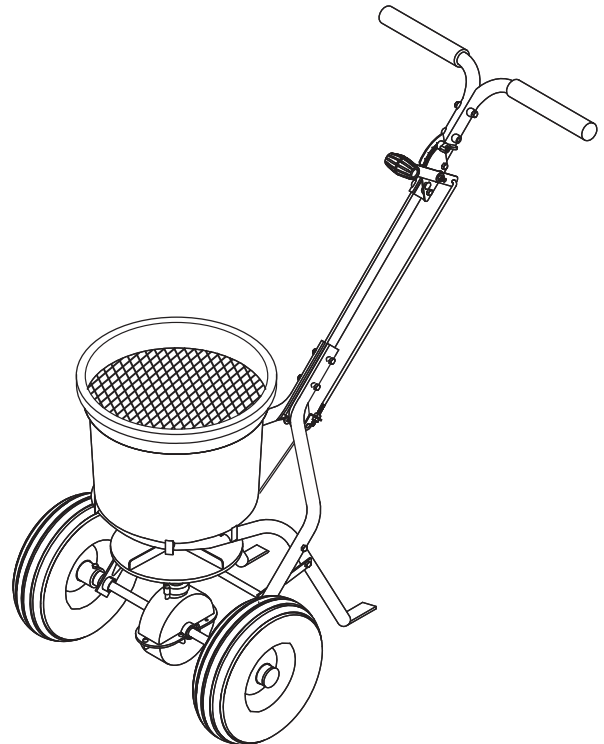
Owner's Manual

Push Spreader

MODEL:

P20-500BH

- Assembly
- Installation
- Operation
- Repair Parts



▲IMPORTANT This manual contains information for the safety of persons and property. Read it carefully before assembly and operation of the equipment!

For the latest product updates and setup tips:

Visit us on the web!
www.brinly.com

INTRODUCTION

CONGRATULATIONS on the purchase of your new Brinly-Hardy Broadcast Spreader! Your Broadcast Spreader is designed, engineered and manufactured to give you the best possible dependability and performance.

CUSTOMER RESPONSIBILITIES

Please read and retain this manual. The instructions enables you to assemble and maintain your Broadcast Spreader properly. Be thoroughly familiar with the controls and the proper use of the equipment. Know how to stop the machine and disengage the controls quickly. And please, always observe the "Safety" instructions.

TABLE OF CONTENTS

SAFETY.....	2-3
PARTS BREAKDOWN	4-5
ASSEMBLY	6-9
OPERATION AND MAINTENANCE	10-11
APPLICATION RATE CHART	12-15
WARRANTY	Back page

RECORD PURCHASE INFORMATION

Record your purchase information in the spaces provided below:

DATE OF PURCHASE:

COMPANY NAME:

COMPANY PHONE:

SERIAL NUMBER:

SAFETY

SAFETY LABELS

UNDERSTANDING THE MACHINE SAFETY LABELS:

The machine safety labels shown in this section are placed in important areas on your machine to draw attention to potential safety hazards.

On your machine safety labels, the words DANGER, WARNING, and CAUTION are used with this safety-alert symbol. DANGER identifies the most serious hazards.

The operator's manual also explains any potential safety hazards whenever necessary in special safety messages that are identified with the word, CAUTION, and the safety-alert symbol.



SAFETY

OPERATE SAFELY

Keep bystanders away when you operate this machine.

Use this machine for intended purpose only.

This machine is intended for use in lawn care and home applications.

Do not let children or an untrained person operate machine.

Keep all parts in good condition and properly installed. Fix damaged parts immediately. Replace worn or broken parts.

Do not modify the machine or safety devices. Unauthorized modifications to the machine may impair its function and safety, and void the warranty.

Do not let anyone sit or ride on equipment during operation. Keep riders off attachment.

Wear substantial footwear and long trousers. Do not operate the equipment when barefoot or wearing open sandals.

Do not wear loose fitting clothing that can get caught in moving parts.

Always wear eye protection when operating the equipment.

Stay alert for holes in the terrain and other hidden hazards.

Watch out for traffic when crossing or near roadways.

Before you operate any feature of this machine, observe your surroundings and look for bystanders.

Always wash hands after contact with fertilizers and pesticides.

Keep all nuts, bolts and screws tight to be sure the equipment is in safe working condition.

PARTS BREAKDOWN



Installation Questions?
Missing Parts?
Replacement Parts?

**DON'T GO BACK
TO THE STORE!**

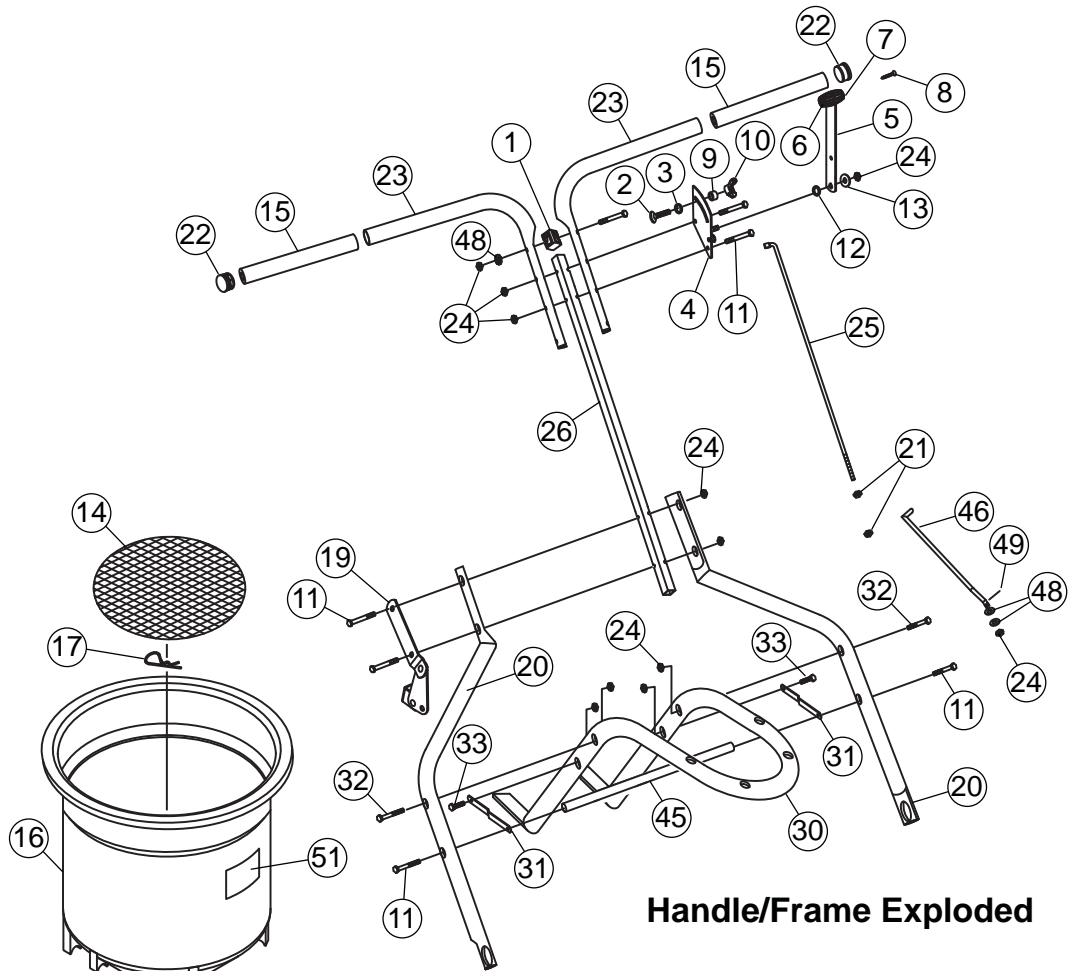
Please call Customer Service
 Department Toll Free
 877.728.8224 or
customerservice@brinly.com

Item	Description	Part #	Qty
1	Handle spacer	1007081	1
2	Carriage bolt, M6 x 25	1007082	1
3	Washer, M6	1007083	1
4	Gauge and lever assembly	1007084	1
5	Adjust handle assembly	1007085	1
6	Adjust handle knob side 1	1007086	1
7	Adjust handle knob side 2	1007087	1
8	Screw, M4 x 18	1007088	1
9	Handle spacer	1007089	1
10	Wing nut, M6	1007090	1
11	Bolt, M6 x 45	1007091	7
12	Nylon washer	1007092	1
13	Flat washer, M6, big	1007093	1
14	Screen	1007094	1
15	Handle cover	1007095	2
16	Hopper Assembly, Black*	1008017*	1
17	R pin, M2 diameter	1007097	1
18	Hopper bushing	1007098	1
19	Pivot and bracket assembly	1007099	1
20	Wheel frame tube	1007100	2
21	Nut, M6	1007101	2
22	End cover	1007102	2
23	Upper handle	1007103	2
24	Lock nut, M6	1007104	11
25	Control rod A	1007105	1
26	Handle shaft	1007106	1

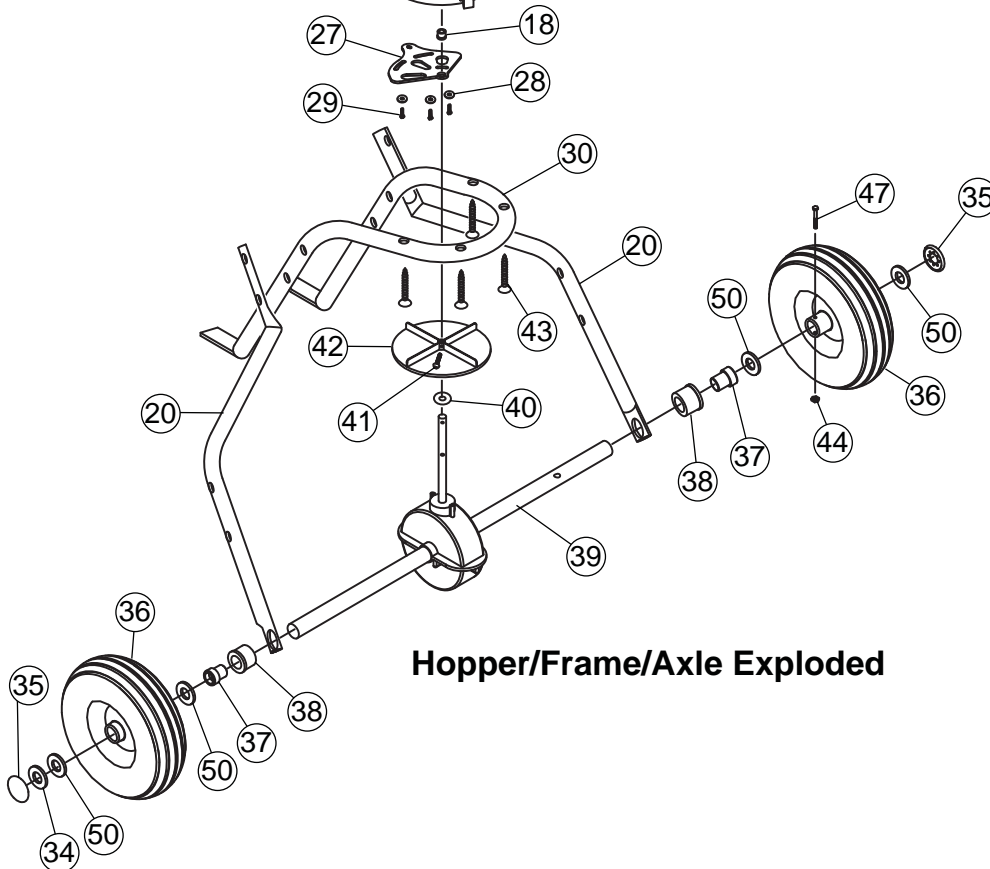
Item	Description	Part #	Qty
27	Shut off plate	1007107	1
28	Flat washer, M4, big	1007108	3
29	Screw, M4 x 12	1007109	3
30	Frame	1007110	1
31	Frame brace	1007111	2
32	Bolt, M6 x 50	1007112	2
33	Bolt, M6 x 30	1007113	2
34	Flat washer, M16	1007114	1
35	End cap	1007115	2
36	Pneumatic wheel	1007116	2
37	Axle bushing	1007117	2
38	Axle bearing	1007118	2
39	Gearbox & axle assembly	1007119	1
40	2.9 x 28mm Cotter Pin, SS	1008031	1
41	Screw, M4 x 20	1007121	1
42	Impeller	1007122	1
43	Screw, M6 x 40	1007123	4
44	Hex locknut, M5	1007124	1
45	Cross brace	1007125	1
46	Adjust connect rod, B	1007126	1
47	Hex bolt, M5 x 45	1007127	1
48	Flat washer, M6	1007128	3
49	Cotter Pin, Small	1008098	2
50	Nylon Washer	1007531	4
51	Decal, Brinly	1008099	1

*Assembly includes Part Numbers 16, 18, 27, 28, 29

PARTS BREAKDOWN



Handle/Frame Exploded



Hopper/Frame/Axle Exploded

ASSEMBLY

TOOLS REQUIRED:

2- 10mm Wrenches

Figure 1

1. Remove two M6 locknuts and M6 x 45mm long bolts to remove pivot and bracket assembly from wheel frame tubes. Set bolts and nuts to the side. You will re-install them in Step 3.

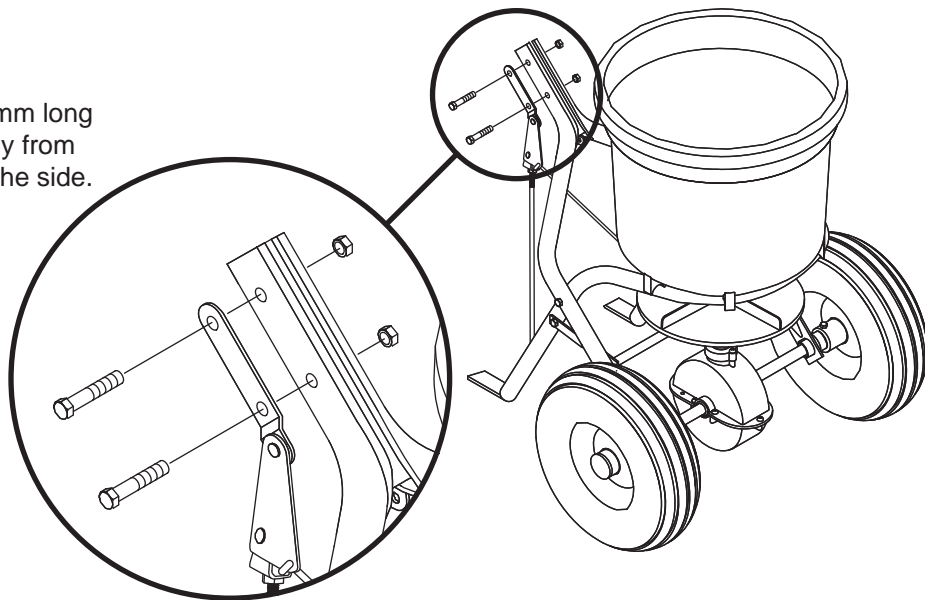
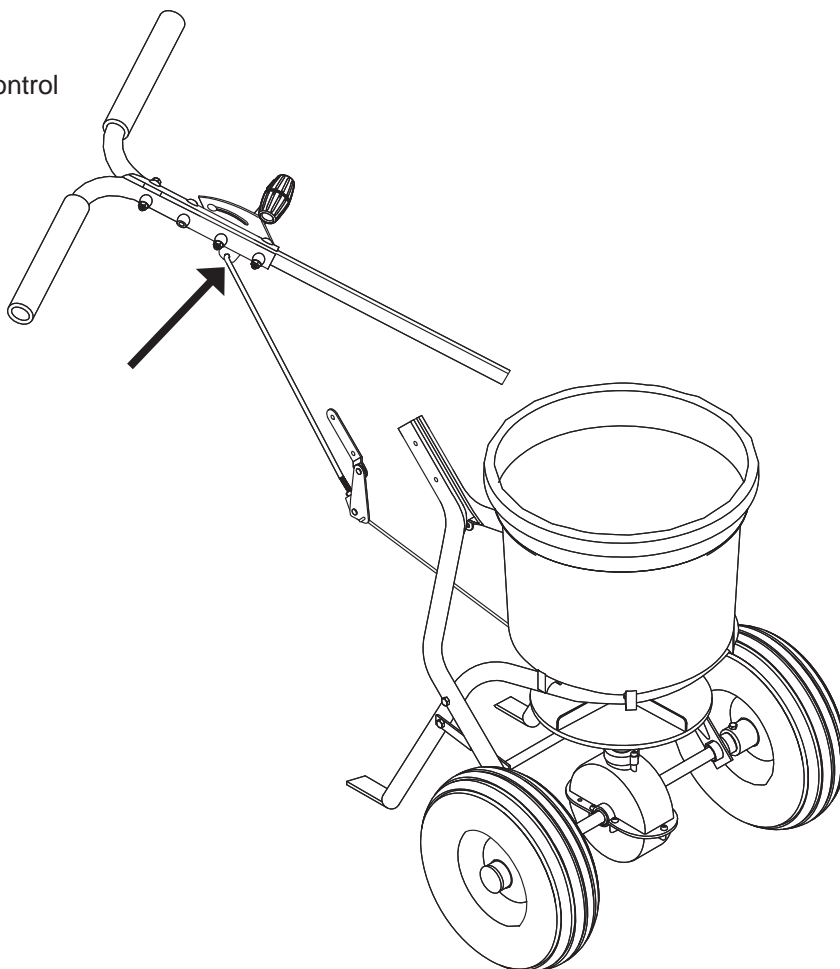


Figure 2

2. Tilt arm assembly, and insert rod into flow control handle.



ASSEMBLY

Figure 3

3. Insert arm assembly between frame tubes. Reinstall pivot and bracket assembly through wheel frame tubes and arm assembly with two M6 x 45mm bolts and M6 locknuts removed in Step 1.

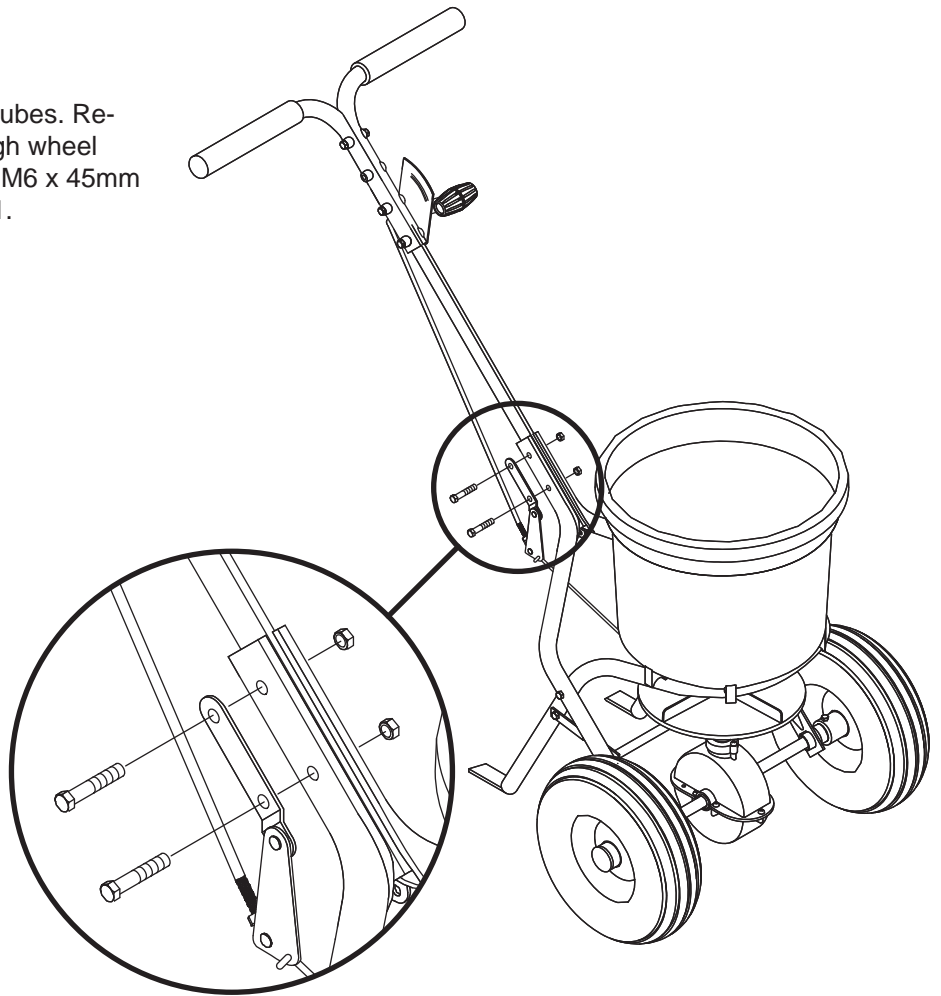


Figure 4

4. Tighten nuts and bolts on both sides of spreader at locations shown.

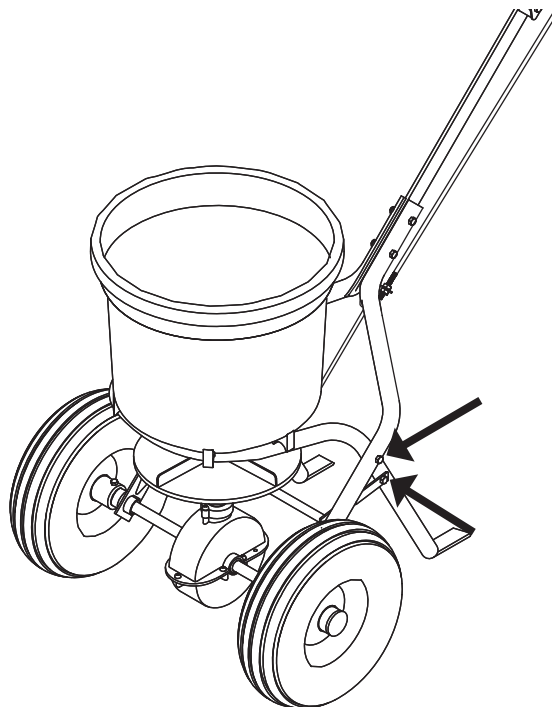


Figure 5

5. Push the flow control handle downward to the fully closed position, close the shut off plate under the hopper, and hand tighten bottom nut on linkage rod until snug. Hand tighten top nut on linkage rod until snug.

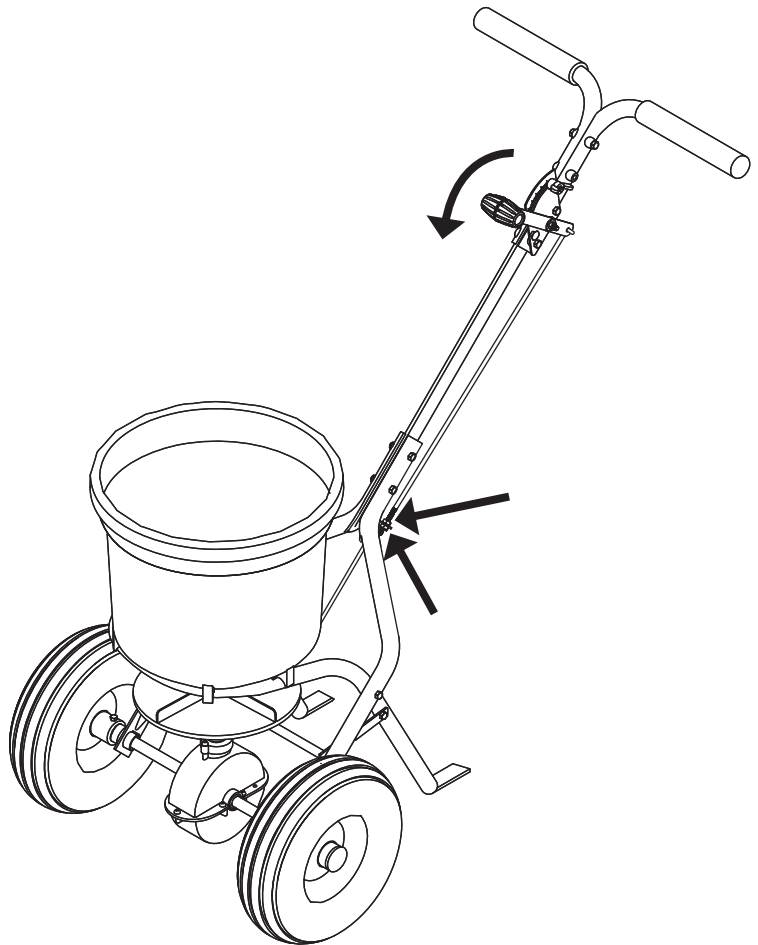


Figure 6

6. NOTE: The edge of the wingnut is the marker, and not the center of wingnut. When the flow control handle is opened fully, the edge of the wingnut should be on the 30 mark.

Set edge of wingnut on 30 mark and tighten.

Move flow control handle upward and back downward, and verify the shut off plate under hopper opens and closes properly. If necessary, adjust linkage rod nuts and tighten hand tight.

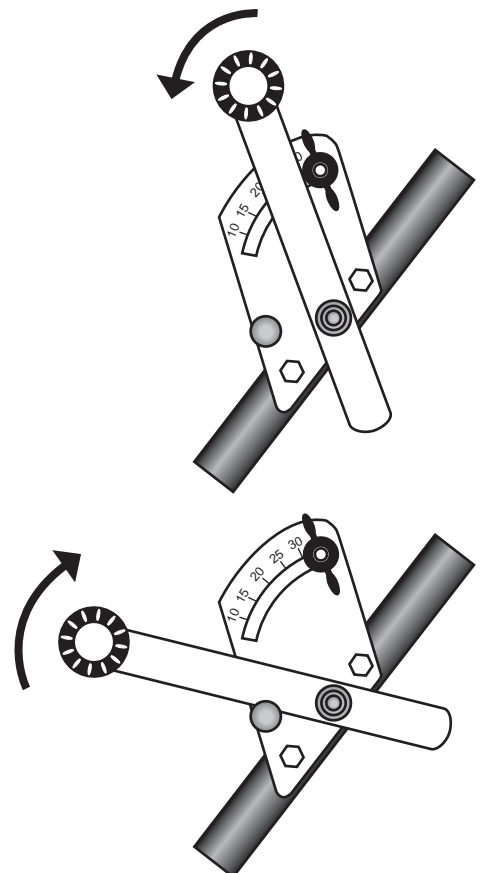


Figure 7

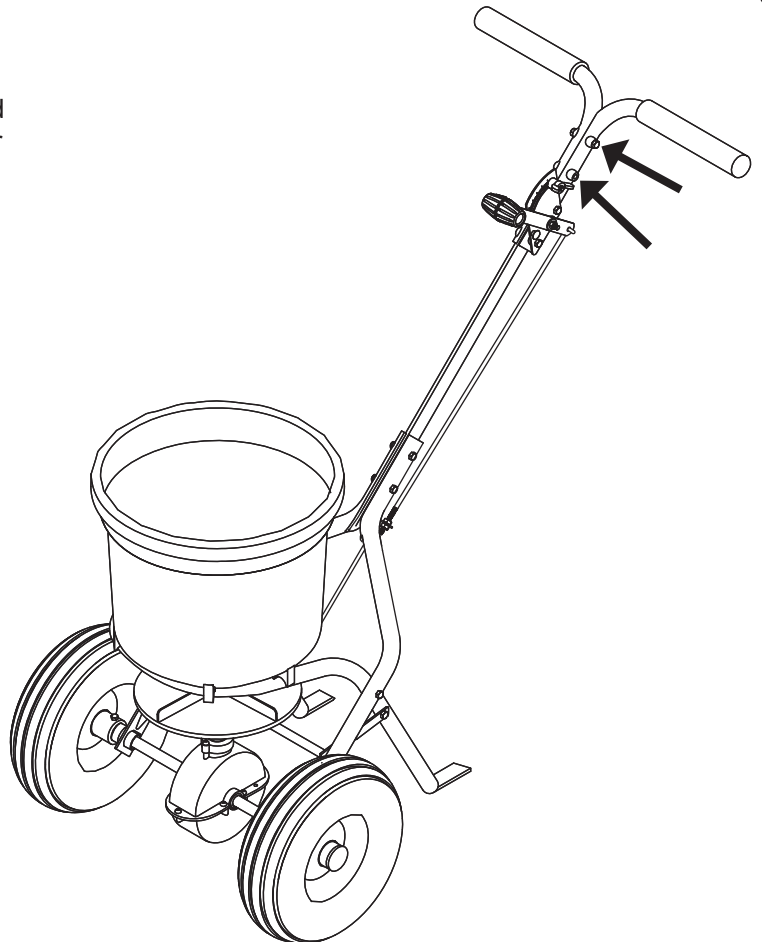
▲IMPORTANT Avoid damage! Only use a wrench on the lower nut.
Do not use wrench on the upper nut.

7. Once adjustment is complete, tighten lower nut on linkage rod with wrench.



Figure 8

8. Handle can be lowered by removing bolts and nuts and moving handle assembly downward, using upper holes for bolts and nuts.



OPERATION

READ BEFORE USING

Become Familiar With The Operation Of The Spreader Before You Put Material In The Hopper.

Practice walking with the spreader, opening and closing the rate gate at the appropriate times.

Travel at a constant speed and operate the spreader lever position. Remember: Open the rate gate after the spreader is in motion at operating speed (about 3 mph, or at a brisk walking pace).

Close the rate gate while spreader is still at operational speed.

Flow Control Setting Information

The flow control lever operates the control plate. The control lever plate is marked 0-30. The position selected determines the amount of material to be broadcast. The higher the number, the heavier the application of the material. This allows for accurate control of the spreading rate.

The fan speed and the spread width are controlled by the speed at which you operate the spreader. The spread width also depends on the volume/density, and the particle size of the material.

The spread thins or feathers at the outer edges, eliminating sharp, "Edge Of Spread" lines which cause stripes and streaks. Extra coverage can be given under trees and other heavy feeding areas without showing "Edge Of Spread" lines.

Gaps and double overlaps are less likely. Small errors in travel are forgiven and do not show.

Filling The Spreader

⚠ WARNING Avoid Injury! Chemicals can be dangerous. Avoid injury to operator or bystanders:

- Read chemical container label for handling instructions. A Material Safety Data Sheet (MSDS) should be supplied by the chemical dealer and provides proper safety information.
- Wear proper clothing and safety equipment while handling or applying chemicals.
- Prohibit all smoking, drinking, and eating around chemicals.
- When spreading products containing herbicides, exercise extreme caution with respect to careless spreading and to wind-drift. Contact Of Some Products On Some Plants Can Be Fatal.

Operating Tips

Push flow control lever down towards hopper to close the rate gate.

Fill the spreader on a flat, level surface only. Fill on sidewalk, driveway, cardboard, etc. to avoid material loss.

DO NOT overload with more than maximum capacity of 50 lbs.

DO NOT use on windy days.

When filling hopper with material, always use screen to help break up clumps.

Keep spinner blade clean. Excess material build-up can cause an uneven spread pattern.

Keep the impeller level when spreading.

Spreading Material

Determine setting required for the product you are spreading (See Application Rate Chart). If a setting is not found, use a similar size/weight material. Determine a flow control setting on the low side. If the setting proves to be too low, cover the area more than one time. A higher setting can be used when a proven setting is established. Generic Grass Seed and Fertilizer Settings are shown at the end of the list.

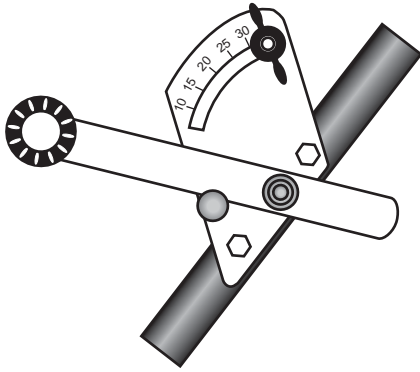
Remember: Published flow control settings are approximate only. The operation of the spreader, the condition of the material (damp or dry or over-pulverized) and weather conditions, are all contributing factors. For these reasons, it is often a good idea to spread the area 2 times - or one-half rate - in cross directions. One-half rate settings are highly recommended under damp and humid conditions.

Rotary Agitator

Use the rotary agitator only if needed. Free-flowing, lump-free materials will not require the agitator. The rotary agitator is easily installed or removed. Place felt washer around spinner shaft before inserting agitator.

Never leave fertilizer or other material in the hopper. It can draw moisture, form clumps, and cause unnecessary rusting or jamming of controls and other parts. Ice melt residue is especially corrosive. Clean and oil spreader immediately after each use.

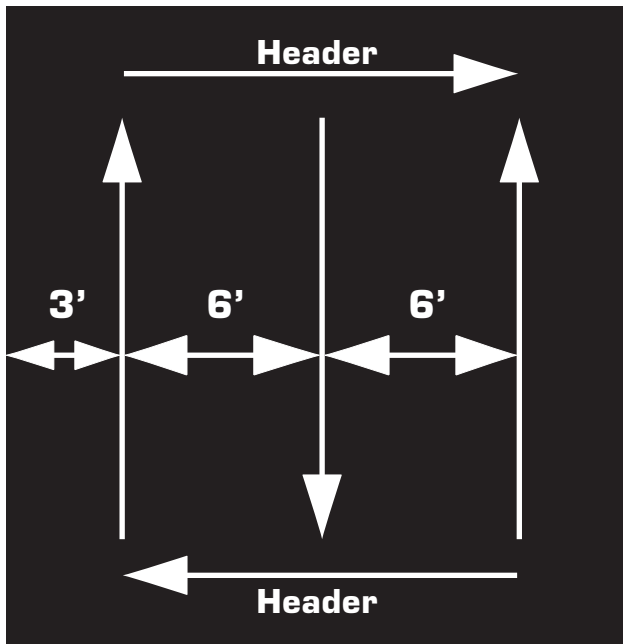
OPERATION



NOTE: When determining required setting, the edge of the wingnut is the marker, and not the center of wingnut. When the flow control handle is opened fully, the edge of the wingnut should be on the 30 mark.

IMPORTANT! Remember to start and stop the spread while moving. Do not open the flow control lever while stopped or material will simply run onto the ground without being spread.

Spread header strips at each end of area. This allows a turn-around area to align spreader for next pass. Then start on the edge of the area to be spread. Spread until you hit the header area. Turn the flow control handle to off while still moving. Make your turn and start down the next row. Turn the flow control handle back on as you hit the edge of your header area. Turn the flow control handle on while move.



Spreading Ice Melt

Remove screen from hopper to prevent damage.

Start with flow control setting at 20 and make a trial pass. Adjust as needed to increase or decrease coverage.

When complete be sure to thoroughly clean spreader as ice melt can be highly corrosive.

Re-install screen when complete.

Calibrating Shut Off Plate

See Figure 6 and Figure 7 on page 8 and 9.

MAINTENANCE

To ensure years of trouble free service, clean the spreader thoroughly after each use. Move flow control handle as you rinse to avoid build up of material.

For rust on frame parts, sand lightly and paint with enamel.

Periodically lubricate all bearing surfaces.

Never allow material to remain in hopper for extended periods of time.

Periodically check all fasteners for tightness.

TROUBLESHOOTING

Flow control handle is hard to actuate or will not move:
Check for buildup of material between bottom of hopper and shut off plate. Clean as needed.

APPLICATION RATE CHART

Media		lbs/1000 square feet	Flow Control Setting at 3MPH
All American			
	All Purpose Fertilizer 10-10-10.	10	16.0
Bayer			
	Season Long Grub Control	3.8	15.0
	Season Long Grub Control	2.9	13.5
	Complete Insect Killer	3	13.5
	Complete Insect Killer	2	12.0
	Power Force Multi-Insect Killer	3	12.0
	Power Force Multi-Insect Killer	2	11.0
	Grub Control	3	12.0
	Grub Control	2	12.0
	Lawn Fertilizer Plus Weed Control II 30-3-4	3.2	13.5
	Season Long Grub Control	3.8	13.5
	Season Long Grub Control	2.9	12.0
	Lawn Starter Fertilizer 20-27-5	3.6	13.5
	Lawn Fertilizer Plus Crabgrass Preventer 30-3-4	3.2	13.5
Eliminator			
	Ant, Flea, and Tick Killer Granules	3	13.5
		2.5	12.0
		2	12.0
	5% Diazinon Insect Killer Granules	2	13.5
Howard Johnsons			
	All-purpose Fertilizer 8-8-8	7	15.0
	All-purpose Fertilizer 10-10-10	7	15.0
	All-purpose Fertilizer 12-12-12	7	15.0
	Ironite 1-0-0	5	13.5
Klay			
	Soft Pelletized Gypsum Soil Conditioner	4	13.5
	Soft Pelletized Gypsum Soil Conditioner	3	12.0
	Soft Pelletized Gypsum Soil Conditioner	2	12.0
Lesco			
	46-0-0	2.2	15.5
	39-0-0	2.6	15.5

Media		lbs/1000 square feet	Flow Control Setting at 3MPH
	34-3-11	2.9	16.0
	32-3-8	3.1	16.0
	30-3-7	3.3	16.0
	28-5-12	3.6	16.0
	24-5-11	4.2	16.0
	19-19-19	5.3	16.0
	18-24-12	4.2	15.0
	24-2-11	4.2	15.0
	26-2-11	3.8	15.5
	24-0-11	4.2	16.0
	18-0-18 Fall/Winter	4.2	16.0
	17-17-17 All Purpose	5.9	16.0
	16-4-8	6.3	16.0
	15-5-10	6.7	16.0
	15-0-15	6.7	16.0
	Atrazine +17-2-11	6.0	16.0
	Dimension .015% +19-3-6	3.5	16.0
	Mach 2™ 1.33% +24-5-11	3.4	16.0
	Merit® 0.2% +24-5-11	3.5	15.5
	Momentum® + Fertilizer	3.6	15.0
	PCNB 12.5% 10-0-20M 75%PPSCU	4.0	15.5
	PRE-M® 1.5% + Fertilizer	2.3	15.0
	PRE-M® 0.86% + Fertilizer	4.0	16.0
	Talstar® 0.069% + Fertilizer	3.3	16.0
	Weed & Feed +18-0-9	4.0	15.5
	Weed & Feed +18-2-9	4.0	15.5
	Dylox® 6.2*	3.0	16.0
Master Turf			
	Ultimate Tall Fescue Blend	8	17.0
	Ultimate Tall Fescue Blend	4	15.0
	Milogranite 6-2-0	8	17.0
	Milogranite 6-2-0	16	20.0
Miracle-Gro			
	Lawn Fertilizer plus Weed Control 28-3-3	3.2	13.5
	Starter Lawn Fertilizer 20-27-5	3.6	13.5
	Starter Lawn Fertilizer 29-3-4	3.1	12.0
Ortho			
	Lawn Insect Killer Granules	9.6	16.0
	Lawn Insect Killer Granules	4.8	13.5
	Lawn Insect Killer Granules	2.4	11.5

APPLICATION RATE CHART

Media		lbs/1000 square feet	Flow Control Setting at 3MPH	Media		lbs/1000 square feet	Flow Control Setting at 3MPH
	Lawn Insect Killer Granules	1.2	11.5	Ringer			
	Max Insect Killer for Lawns	4	13.5		Lawn Restore 10-2-6	10	18.0
	Max Insect Killer for Lawns	2	12.0	Sam's Choice			
	Max Insect Killer for Lawns	1	11.5		Crabgrass Preventer 30-3-4	12.3	19.0
Parkers					Crabgrass Preventer 30-3-4	8.1	16.0
	Super Soilife Lawn & Garden Fertilizer 10-10-10	10	16.0		Crabgrass Preventer 30-3-4	6	16.0
	Super Soilife Lawn & Garden Fertilizer 16-4-8	6.5	13.5		Crabgrass Preventer 30-3-4	5.4	15.0
Pennington					Insect Control Plus Fertilizer 28-4-6	3	12.0
	Lawn Starter Fertilizer 18-24-6	3.6	15.0		Lawn Food 29-3-4	3.2	13.5
	Master Turf High Traffic Lawn Seed Mixture	10	18.0		Starter Fertilizer 20-27-5	6	16.0
	Master Turf High Traffic Lawn Seed Mixture	5	16.0		Starter Fertilizer 20-27-5	3.6	13.5
	Master Turf Shady Lawn Seed Mixture	8	18.0	Scotts			
	Master Turf Shady Lawn Seed Mixture	4	16.0		Classic Grass Seed Fall Grass Seed Mix	4	16.0
	Master Turf Sun & Shade Lawn Seed Mixture	10	18.0		Classic Grass Seed Fall Grass Seed Mix	2	13.5
	Master Turf Sun & Shade Lawn Seed Mixture	5	16.0		Grubex	2.3	12.0
	Lawn Food 27-4-6	3.6	16.5		Grubex Season Long Grub Control	3.1	13.5
	Centipede Food 18-0-18	4.0	17.0		Grubex Season Long Grub Control	2.3	13.5
	St. Augustine, Bahia & Bermuda Food 26-6-9	4.0	18.0		Lawn Fungus Control	1.4	12.0
	Fall Lawn Food 10-5-15	4.0	15.5		Lawn Fungus Control	2.7	13.5
	Crabgrass Preventer plus Fertilizer 5-10-25	4.0	16.5		Pure Premium Kentucky Bluegrass Mix	2.2	13.5
	Lawn Starter 18-24-6	3.6	16.5		Pure Premium Kentucky Bluegrass Mix	1.1	12.0
	Weed & Feed w/Atrazine 25-4-6	4.0	17.0		Pure Premium Sun & Shade Grass Seed Mixture	2.5	13.5
	Fescue Food 28-5-10	4.0	16.5		Pure Premium Sun & Shade Grass Seed Mixture	1.25	12.0
	Weed & Feed w/Triamine 25-4-6	3.6	16.5		Starter Fertilizer 20-27-5	3.6	13.5
Real-Kill					Starter Fertilizer 20-27-5	5.9	13.5
	Multi-Purpose Lawn and Garden Insect Killer	2	12.0		Turf Builder 28-3-8	2.7	13.5
	Multi-Purpose Lawn and Garden Insect Killer	2.5	12.0		Turf Builder Lawn Fertilizer 29-3-4	3.1	12.0
Rebel's					Turf Builder with Summer Guard	2.7	13.5
	Supreme Blend Grass Seed for Sun & Shade	10	18.0		Turf Builder Plus Weed Control	2.9	13.5
	Supreme Blend Grass Seed for Sun & Shade	5	16.0		Winterizer 22-4-1	3.3	11.5
					Turf Builder + Halt 25-3-3	3.6	15.0
					Turf Builder Plus 2 Weed Control & Lawn Fertilizer 26-3-3	3.5	14.5

APPLICATION RATE CHART

Media	lbs/1000 square feet	Flow Control Setting at 3MPH
Turf Builder Lawn Fertilizer New Concentrated Nuggets 34-4-4	2.7	13.5
Starter Fertilizer 17-23-6	4.0	15.0
Lawn Disease Preventer	2.7	15.5
Lawn Weed Control 25-4-6	1.0	11.5
Turf Builder 28-3-3	3.2	17.0
	5.0	20.0
Weed & Feed 33-3-3	2.5	13.5
SCOTTS PRO TURF		
Fungicide VII 8-2-1	25.0	25.0
	12.7	27.0
	13.4	13.0
Turf Builder Lawn Fertilizer 29-3-4	8.2	15.5
Turf Starter w/ Poly S 16-26-12	4.1	18.0
Fertilizer + Fungicide VIII 23-3-3	1.6	13.5
HD Fertilizer + Iron 29-3-3	3.2	14.5
HD Fairway Fertilizer 32-3-10	3.1	16.5
Fertilizer with Minors 26-4-13	3.9	14.5
Hi K Greens Fertilizer 15-0-30	3.4	13.5
HD Starter (Small Granule) 19-26-5	3.5	14.5
Hi K Fertilizer 15-0-30	3.4	15.5
Moss Control 16-0-0	3.9	13.0
Iron-S 16-0-0	1.7	13.5
Super Greens Fertilizer 19-0-17	4.6	14.5
Turf Fertilizer + 2% Fe w/ PolyS 25-3-10	3.3	16.5
ProTurf Fertilizer w/PolyS 34-3-6	2.8	16.5
NPK Turf Fert. w/PolyS 21-3-20	4.6	16.5
Fungicide X	4.9	15.5
FF-II 14-3-3	4.7	13.5
Systemic Fungicide	2.6	15.0
Fertilizer Plus Preemergent Weed Control 22-4-4	3.3	18.0
	3.8	18.5
	4.5	19.5

Media	lbs/1000 square feet	Flow Control Setting at 3MPH
	4.9	20.0
Turf Fertilizer Plus Preemergent Weed Control 22-0-6	3.8	18.5
	4.2	19.5
	4.9	20.0
	5.8	21.0
	6.1	22.0
	8.7	27.0
	9.6	30.0
SCOTTS FOUR SEASON PROGRAM		
Step 1 - Crabgrass Preventer plus Fertilizer	3	15
Step 2 - Weed Control plus Fertilizer	2.5	15
Step 3 - Insect Control plus Fertilizer	3.1	16.5
Step 4 - Lawn Fertilizer	2.8	15.5
Sevin		
Lawn Insect Granules	4.6	13.5
Lawn Insect Granules	2.33	13.5
Lawn Insect Granules	2.25	13.5
Spectracide		
Grub Stop	3	13.5
Triazicide Insect Killer Granules	3	11.5
Sta-Green		
Lawn Fertilizer 29-2-5	3.6	13.5
Lawn Weed Control	2	12.0
200 Plus Weed & Feed 28-3-3	3.2	13.5
Starter Fertilizer 18-24-10	3.6	13.5
Weed & Feed 28-2-4	3.2	13.5
Sun & Shade Grass Seed Mixture	10	18.0
Sun & Shade Grass Seed Mixture	5	16.0
Vigoro		
Insect Control Plus Fertilizer	3	11.5
Starter Fertilizer	3.6	13.5
Turf Fertilizer 29-3-4	3.2	13.5
Ultra Turf Winterizer 22-3-14	3	12.0
Weed and Feed	3.2	13.5
Wal-Mart		

APPLICATION RATE CHART

Media	lbs/1000 square feet	Flow Control Setting at 3MPH
Gardens Kentucky Bluegrass Grass Seed	4	16.0
Gardens Kentucky Bluegrass Grass Seed	2	13.5
Gardens Kentucky 31 Tall Fescue	8	18.0
Gardens Kentucky 31 Tall Fescue	4	16.0
Weed & Feed 28-3-3	3.2	13.5
Generic Fertilizers (if you don't have any other method)	1	12
	2	13
	3	14
	4	15
	5	17
	6	18
	7	19
	8	20
	9	22
	10	24
Generic Grass Seed (if you don't have any other method)	2	18
	3	20
	4	22
	5	24

MANUFACTURER'S LIMITED WARRANTY FOR



Accessories

The limited warranty set forth below is given by Brinly-Hardy Company with respect to new merchandise purchased and used in the United States, its possessions and territories.

Brinly-Hardy Company warrants the products listed below against defects in material and workmanship, and will at its option, repair or replace, free of charge, any part found to be defective in materials or workmanship. This limited warranty shall only apply if this product has been assembled, operated, and maintained in accordance with the Operator's manual furnished with the product, and has not been subject to misuse, abuse, commercial use, neglect, accident, improper maintenance, alteration, vandalism, theft, fire, water, or damage because of other peril or natural disaster.

Normal Wear Parts or components thereof are subject to separate terms as follows: All normal wear parts or component failures will be covered on the product for a period of 90 days.

Parts found to be defective within the warranty period will be replaced at our expense. Our obligation under this warranty is expressly limited to the replacement or repair, at our option, of parts found to be defective in material and workmanship.

HOW TO OBTAIN SERVICE: Warranty parts replacements are available, **ONLY WITH PROOF OF PURCHASE**, through our Customer Service Department. Call 877-728-8224.

This limited warranty does not provide coverage in the following cases:

- Routine maintenance items such as lubricants and filters.
- Normal deterioration of the exterior finish due to use or exposure.
- Transportation and/or labor charges.
- The warranty does not include commercial and/or rental use.

No implied warranty, including any implied warranty of merchantability or fitness for a particular purpose, applies after the applicable period of express written warranty above as to the part as identified below.

No other express warranty whether written or oral, except as mentioned above, given by any person or entity, including a dealer or retailer, with respect to any product, shall bind Brinly-Hardy Co. During the period of the warranty, the exclusive remedy is repair or replacement of the product as set forth above.

The provisions as set forth in this warranty provide the sole and exclusive remedy arising from the sale. Brinly-Hardy Co. shall not be liable for incidental or consequential loss or damage including, without limitation, expenses incurred for substitute or replacement lawn care services or for rental expenses to temporarily replace a warranted product.

Some states do not allow the exclusion or limitation of incidental or consequential damages, or limitations on how long an implied warranty lasts, so the above exclusions or limitations may not apply to you.

During the warranty period, the exclusive remedy is replacement of the part. In no event shall recovery of any kind be greater than the amount of the purchase price of the product sold. Alteration of safety features of the product shall void this warranty. You assume the risk and liability for loss, damage, or injury to you and your property and/or to others and their property arising out of the misuse or inability to use this product.

This limited warranty shall not extend to anyone other than the original purchaser or to the person for whom it was purchased as a gift.

HOW STATE LAW RELATES TO THIS WARRANTY: This limited warranty gives you specific legal rights, and you may also have other rights which vary from state to state.

IMPORTANT: The Warranty period stated below begins with the **PROOF OF PURCHASE**. Without the proof of purchase, the Warranty period begins from the date of manufacture determined by the serial number manufacturing date.

SPREADER WARRANTY PERIOD:

The warranty period for this spreader is as follows: 1 year non-commercial use. Tires and wheels are normal wear items: 90 days.

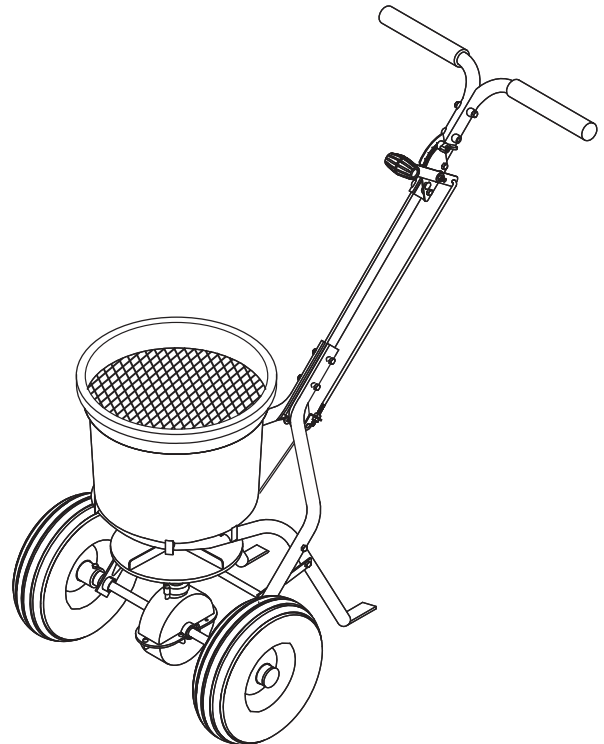
Manual del propietario

Carro esparcidor

MODELO:

P20-500BH

- Montaje
- Instalación
- Funcionamiento
- Repuestos



⚠ IMPORTANTE Este manual contiene información para la seguridad de las personas y de la propiedad. ¡Léalo atentamente antes del montaje y la operación del equipo!

Para consultar las últimas actualizaciones de productos y obtener consejos sobre instalación:

¡Visítenos en la web!
www.brinly.com

INTRODUCCIÓN

¡FELICITACIONES por la compra de su nuevo esparcidor a voleo de Brinly-Hardy! Ha sido diseñado, ideado y fabricado para brindarle la mejor confiabilidad y rendimiento posibles.

RESPONSABILIDADES DEL CLIENTE

Lea y conserve este manual. Las instrucciones le permiten armar y mantener el esparcidor en forma adecuada. Familiarícese bien con los controles y el uso adecuado del equipo. Sepa cómo detener la máquina y soltar los controles rápidamente. Recuerde seguir siempre las instrucciones de "Seguridad".

ÍNDICE

SEGURIDAD	18-19
DETALLE DE PIEZAS	20-21
MONTAJE.....	22-25
FUNCIONAMIENTO Y MANTENIMIENTO	26-27
CUADRO DE TASAS DE APLICACIÓN.....	28-31
GARANTÍA	32

ANOTE LA INFORMACIÓN SOBRE SU COMPRA

Anote la información sobre su compra en los espacios a continuación:

FECHA DE COMPRA:

NOMBRE DE LA COMPAÑÍA:

TELÉFONO DE LA COMPAÑÍA:

NÚMERO DE SERIE:

SEGURIDAD

ETIQUETAS DE SEGURIDAD

COMPRESIÓN DE LAS ETIQUETAS DE SEGURIDAD DE LA MÁQUINA:

Las etiquetas de seguridad de la máquina que se muestran en esta sección están ubicadas en áreas importantes de su máquina para llamar la atención sobre riesgos potenciales de seguridad.

En las etiquetas de seguridad de su máquina, las palabras PELIGRO, ADVERTENCIA y PRECAUCIÓN se usan con este símbolo de alerta de seguridad. PELIGRO identifica los riesgos de seguridad más graves.

Siempre que sea necesario, el manual del operador explica también todo riesgo potencial de seguridad a través de mensajes especiales de seguridad identificados con la palabra PRECAUCIÓN y con el símbolo de alerta de seguridad.



FUNCIONAMIENTO SEGURO

Mantenga a otras personas fuera del área cuando opere la máquina.

Use esta máquina solo para el fin pretendido.

Esta máquina está diseñada para utilizarse en el cuidado del césped y en aplicaciones para el hogar.

No permita que niños o personas no capacitadas operen la máquina.

Mantenga todas las piezas en buenas condiciones e instaladas apropiadamente. Repare las partes dañadas inmediatamente. Reemplace todas las piezas desgastadas o rotas.

No modifique la máquina ni los dispositivos de seguridad. Las modificaciones no autorizadas a la máquina pueden afectar su funcionamiento y seguridad, además de invalidar la garantía.

No permita que nadie se siente o se suba al equipo mientras esté en funcionamiento. No permita que nadie se suba a la unidad.

Use calzado adecuado y pantalones largos. No opere el equipo descalzo o con sandalias.

No use prendas de vestir holgadas que podrían quedar atrapadas en las partes móviles.

Utilice siempre protección ocular cuando opere el equipo.

Preste atención a los baches en el terreno y demás peligros ocultos.

Cuídese del tránsito al cruzar carreteras o al conducir cerca de ellas.

Antes de operar cualquier función de esta máquina, observe si en las cercanías hay personas.

Lávese siempre las manos luego del contacto con fertilizantes y pesticidas.

Mantenga apretados todos los tornillos, tuercas y pernos para asegurarse de que el equipo esté en condiciones de trabajo seguras.

DETALLE DE PIEZAS



¿Preguntas sobre la instalación?
 ¿Piezas faltantes?
 ¿Repuestos?

**¡NO VUELVA
 A LA TIENDA!**

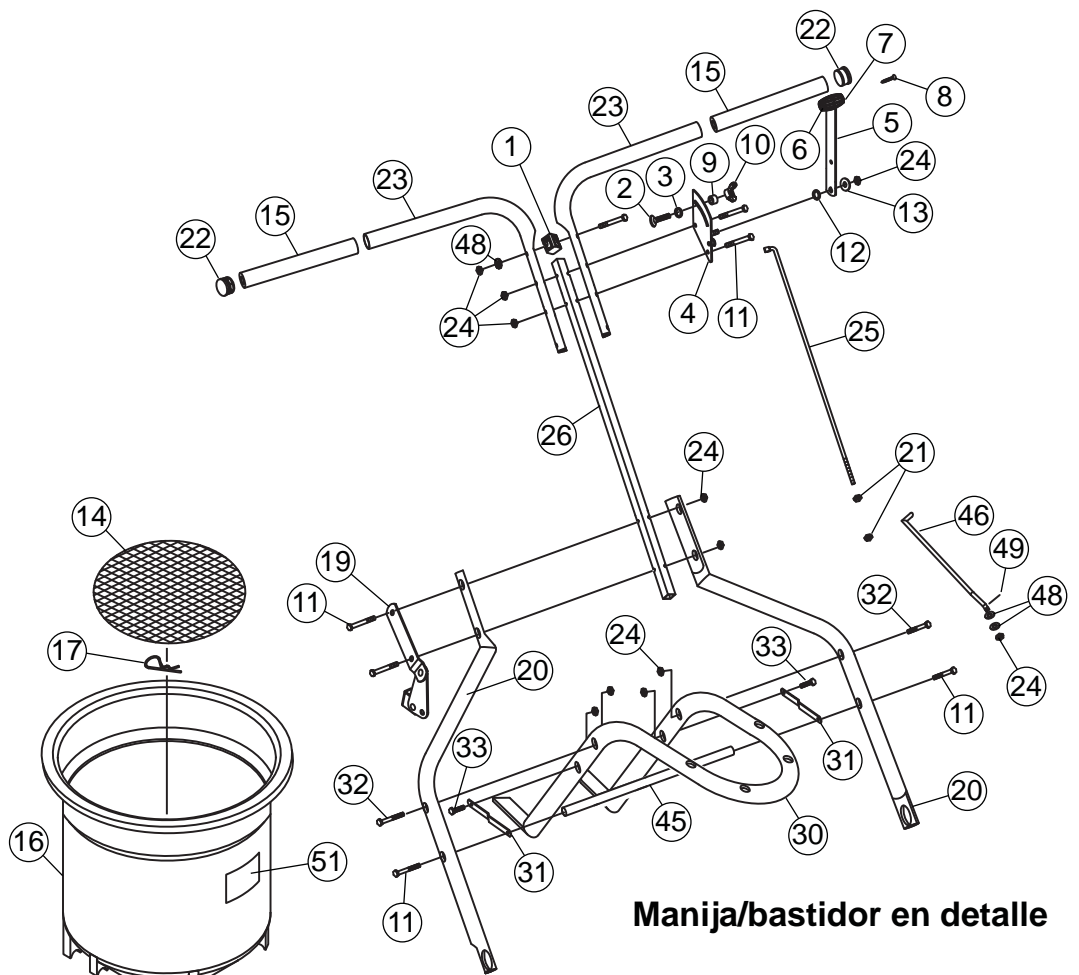
Llame a la línea gratuita de nuestro
 Departamento de Atención al
 Cliente al 877-728-8224 o escriba a
customerservice@brinly.com

Artículo	Descripción	N.º de pieza	Cant.
1	Espaciador de la manija	1007081	1
2	Perno de cabeza de hongo M6 x 25	1007082	1
3	Arandela, M6	1007083	1
4	Montaje de calibre y palanca	1007084	1
5	Montaje de ajuste de la manija	1007085	1
6	Ajuste de la perilla de la manija lado 1	1007086	1
7	Ajuste de la perilla de la manija lado 2	1007087	1
8	Tornillo, M4 x 18	1007088	1
9	Espaciador de la manija	1007089	1
10	Tuerca de mariposa, M6	1007090	1
11	Perno, M6 x 45	1007091	7
12	Arandela de nylon	1007092	1
13	Arandela plana, M6, grande	1007093	1
14	Rejilla	1007094	1
15	Cubierta de la manija	1007095	2
16	Montaje de tolva, negro*	1008017*	1
17	Pasador R, diámetro M2	1007097	1
18	Buje de la tolva	1007098	1
19	Montaje de pivote y soporte	1007099	1
20	Tubo de bastidor de la rueda	1007100	2
21	Tuerca, M6	1007101	2
22	Cubierta del extremo	1007102	2
23	Manija superior	1007103	2
24	Tuerca de seguridad, M6	1007104	11
25	Varilla de control A	1007105	1
26	Eje de la manija	1007106	1
27	Placa de corte	1007107	1

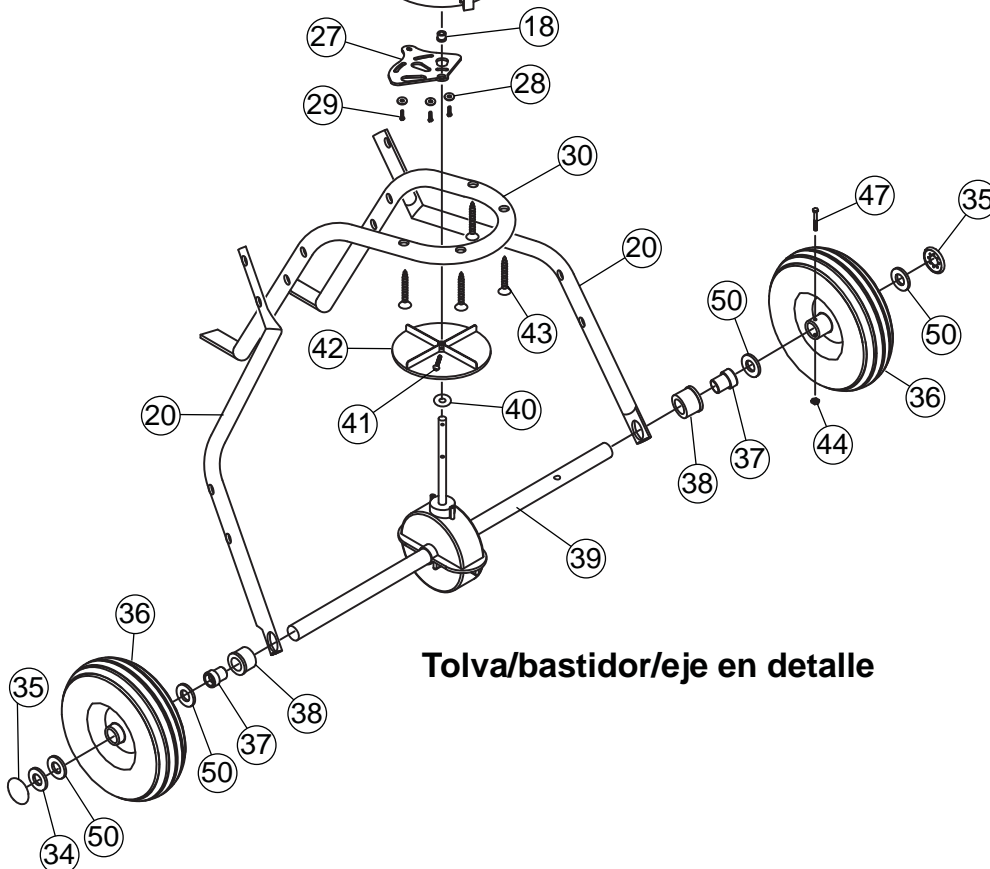
Artículo	Descripción	N.º de pieza	Cant.
28	Arandela plana, M4, grande	1007108	3
29	Tornillo, M4 x 12	1007109	3
30	Bastidor	1007110	1
31	Riostra del bastidor	1007111	2
32	Perno, M6 x 50	1007112	2
33	Perno, M6 x 30	1007113	2
34	Arandela plana, M16	1007114	1
35	Tapa del extremo	1007115	2
36	Rueda neumática	1007116	2
37	Buje del eje	1007117	2
38	Cojinete del eje	1007118	2
39	Montaje de engranaje y eje	1007119	1
40	Pasador de horquilla de 2,9 x 28 mm, SS	1008031	1
41	Tornillo, M4 x 20	1007121	1
42	Impulsor	1007122	1
43	Tornillo, M6 x 40	1007123	4
44	Contratuerca hexagonal, M5	1007124	1
45	Riostra transversal	1007125	1
46	Varilla de conexión de ajuste, B	1007126	1
47	Perno hexagonal, M5 x 45	1007127	1
48	Arandela plana, M6	1007128	3
49	Pasador de horquilla, pequeño	1008098	2
50	Arandela de nylon	1007531	4
51	Calcomanía, Brinly	1008099	1

*El montaje incluye las piezas número 16, 18, 27, 28, 29

DETALLE DE PIEZAS



Manija/bastidor en detalle



Tolva/bastidor/eje en detalle

MONTAJE

HERRAMIENTAS NECESARIAS:

Llaves de 2-10 mm

Figura 1

1. Retire dos contratueras M6 y dos pernos M6 x 45 mm de largo para retirar el montaje de pivote y soporte de los tubos del bastidor de la rueda. Coloque los pernos y las tuercas en el costado. Volverá a colocarlos en el Paso 3.

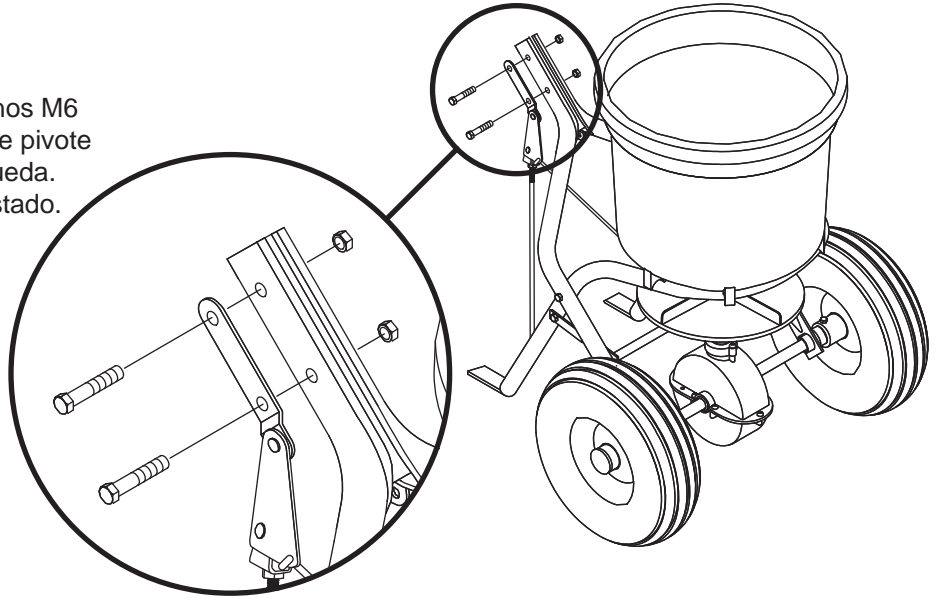


Figura 2

2. Incline el montaje de brazo y coloque la varilla en la manija de control de flujo.



Figura 3

3. Coloque el montaje de brazo entre los tubos del bastidor. Vuelva a instalar el montaje de pivote y soporte a través de los tubos del bastidor de la rueda y el montaje de brazo con dos pernos M6 x 45 mm y las contratuercas M6 que retiró en el Paso 1.

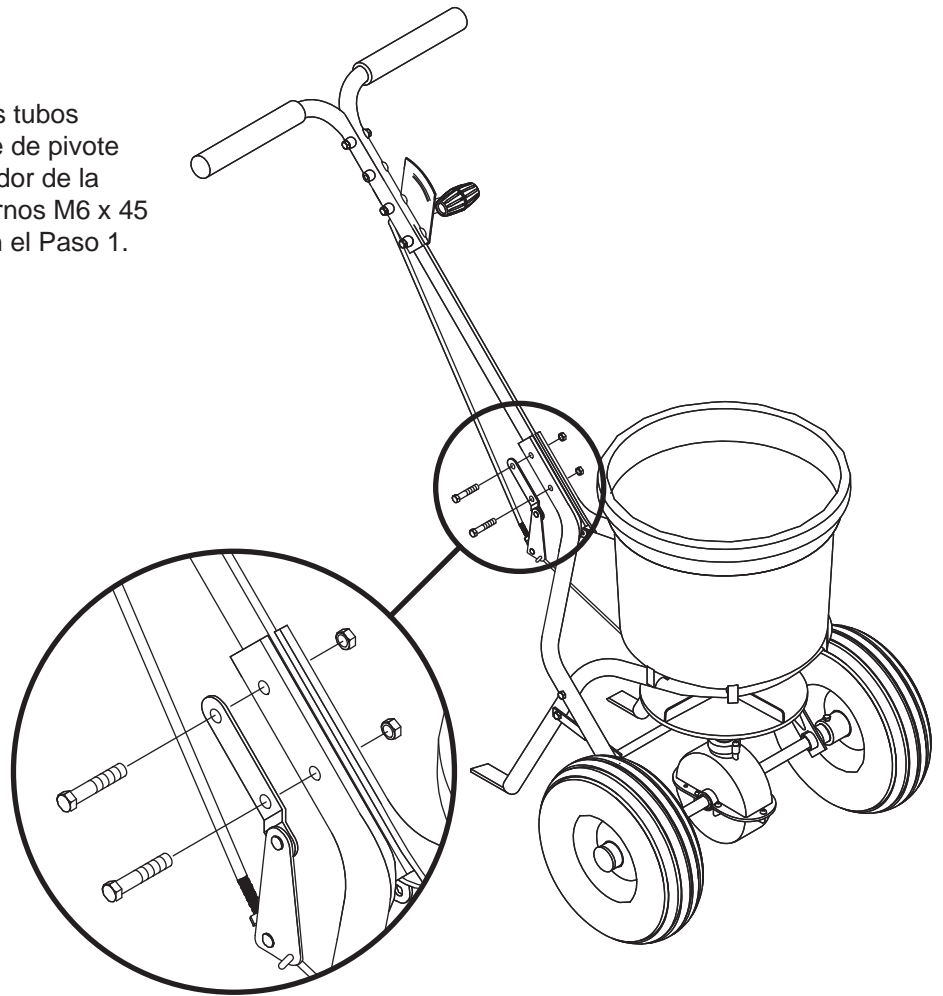


Figura 4

4. Ajuste las tuercas y los pernos en ambos lados del esparcidor en las ubicaciones que se muestran.

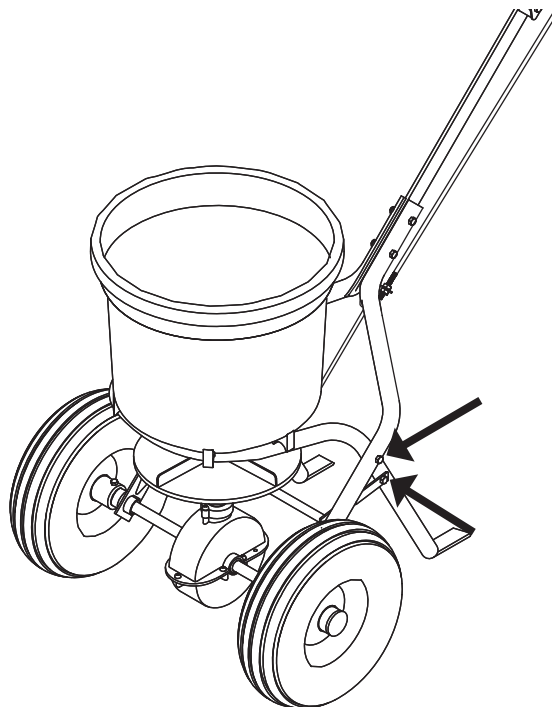


Figura 5

5. Empuje hacia abajo la manija de control de flujo a la posición totalmente cerrada, cierre la placa de corte debajo de la tolva y ajuste a mano la tuerca inferior en la varilla de conexión hasta que esté bien ajustada. Ajuste a mano la tuerca superior en la varilla de conexión hasta que esté bien ajustada.



Figura 6

6. NOTA: El borde de la tuerca de mariposa, no el centro, es el marcador. Cuando la manija de control de flujo se abre totalmente, el borde de la tuerca de mariposa debe estar en la marca 30.

Coloque el borde de la tuerca de mariposa en la marca 30 y ajuste.

Mueva la manija de control de flujo hacia arriba y nuevamente hacia abajo, y verifique que la placa de corte debajo de la tolva se abra y se cierre adecuadamente. Si es necesario, ajuste las tuercas de la varilla de conexión y ajuste bien a mano.

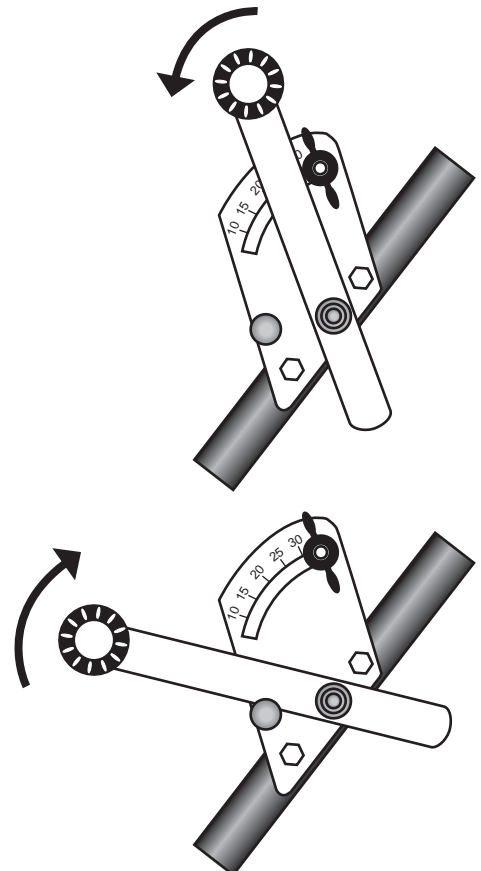


Figura 7

▲ IMPORTANTE ¡Evite daños! Utilice una llave únicamente en la tuerca inferior. No utilice una llave en la tuerca superior.

7. Una vez que el ajuste esté completo, ajuste la tuerca inferior en la varilla de conexión con la llave.

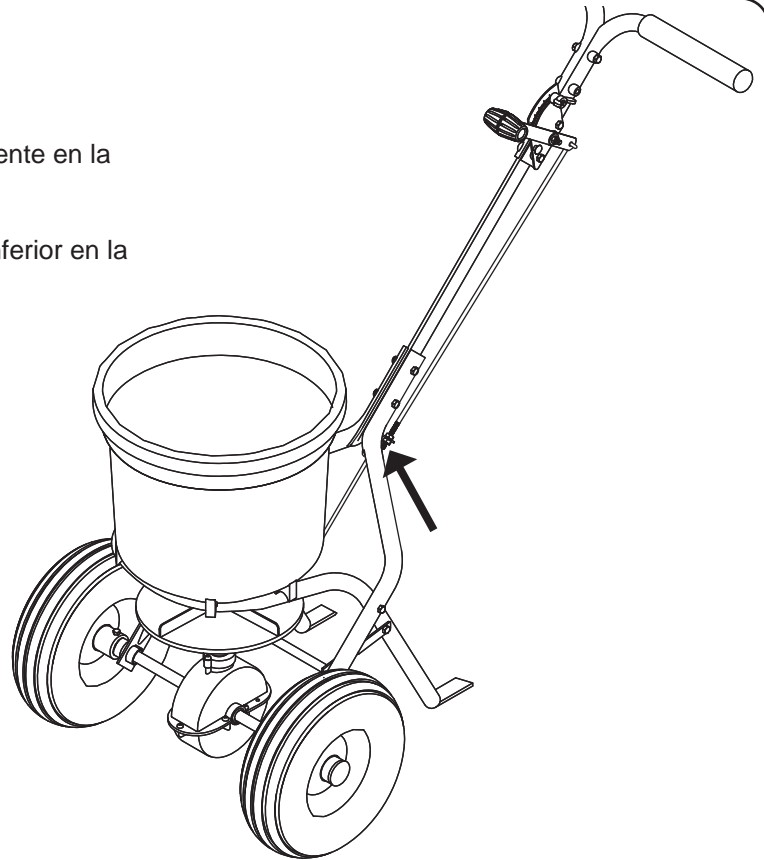
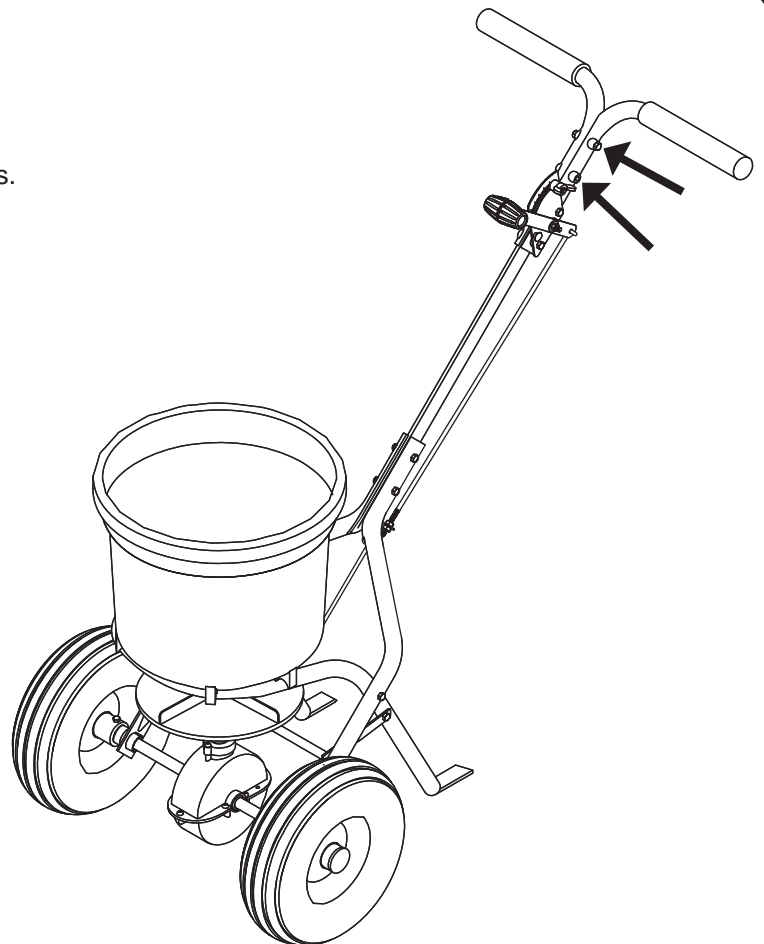


Figura 8

8. Se puede bajar la manija si se quitan los pernos y las tuercas y se mueve hacia abajo el conjunto de manija, utilizando orificios superiores para los pernos y las tuercas.



FUNCIONAMIENTO

LEER ANTES DE USAR

Familiarícese con el funcionamiento del esparcidor antes de poner material en la tolva.

Practique caminar con el esparcidor, abriendo y cerrando la compuerta de aplicación en los momentos adecuados.

Desplácese a una velocidad constante y haga funcionar la posición de la palanca del esparcidor. Recuerde: Abra la compuerta de aplicación después de que el esparcidor se encuentre en movimiento a velocidad de funcionamiento (cerca de 3 mph o a un paso rápido al caminar).

Cierre la compuerta de aplicación mientras el esparcidor esté todavía a velocidad de funcionamiento.

Información sobre la configuración de control de flujo

La palanca de control de flujo acciona la placa de control. La placa de la palanca de control está marcada 0-30. La posición seleccionada determina la cantidad de material que se esparce. Cuanto más alto el número, mayor la aplicación de material. Esto permite un control preciso de la cantidad de material esparcido.

La velocidad del ventilador y el ancho de esparcimiento están controlados por la velocidad en la que acciona el esparcidor. El ancho de esparcimiento también depende del volumen y la densidad, además del tamaño de las partículas del material.

Las secciones delgadas del esparcidor o plumas en los bordes exteriores eliminan las líneas del "borde de esparcido" que producen franjas y rayas. Se puede lograr una cobertura adicional debajo de los árboles y otras áreas que requieren mucho material sin que se vean las líneas del "borde de esparcido".

Son menos probables las brechas y los sobrevertidos. Se omiten y no se muestran los pequeños errores en el desplazamiento.

Llenado del esparcidor

▲ Advertencia ¡Evite lesiones! Las sustancias químicas pueden ser peligrosas.

Evite lesiones a operadores y otras personas cercanas:

- Lea la etiqueta del envase de la sustancia química para conocer las instrucciones de manipulación. El distribuidor de sustancias químicas debe entregar una Hoja de datos de seguridad del material (Material Safety Data Sheet, MSDS), así como información de seguridad adecuada.
- Utilice vestimenta adecuada y equipo de seguridad mientras manipula o aplica productos químicos.

- Prohíba fumar, tomar y comer cerca de productos químicos.
- Cuando se realiza el esparcimiento de productos que contienen herbicidas, se debe tener extremo cuidado de no esparcir en forma imprudente y prestar atención al desplazamiento del viento. El contacto de ciertos productos con algunas plantas puede ser mortal.

Consejos de operación

Empuje hacia abajo la palanca de control de flujo en dirección a la tolva para cerrar la compuerta de aplicación.

Realice el llenado del esparcidor únicamente sobre una superficie plana y nivelada. Realice el llenado en aceras, entradas de automóviles, sobre cartones, etc., para evitar la pérdida de materiales.

NO sobrecargue con más de la capacidad máxima de 50 lbs.

NO use en días de mucho viento.

Cuando llene la tolva con material, use siempre una rejilla para deshacerse de los terrones.

Mantenga limpia la hoja del rotámetro. Una acumulación excesiva de material puede causar un patrón de rociado desparejo.

Mantenga el nivel del impulsor mientras realiza el esparcido.

Esparcido de material

Determine la configuración requerida para el producto que va a esparcir (consulte el Cuadro de tasas de aplicación). Si no encuentra una configuración, utilice un material de tamaño o peso similar. Determine una configuración de control de flujo en el lado inferior. Si la configuración resulta ser muy baja, cubra la zona más de una vez. Se puede usar una configuración más alta cuando se establezca una configuración ya probada. La configuración para semillas de pasto y fertilizantes genéricos se muestran al final de la lista.

Recuerde: Las configuraciones del control de flujo publicadas son solo aproximadas. El funcionamiento del esparcidor, la condición del material (húmedo, seco o sobrepulverizado) y las condiciones climáticas son factores coadyuvantes. Por estos motivos, a menudo es una buena idea esparcir el área dos veces, o una vez y media, en direcciones cruzadas. La configuración de una vez y media es muy recomendada en condiciones húmedas.

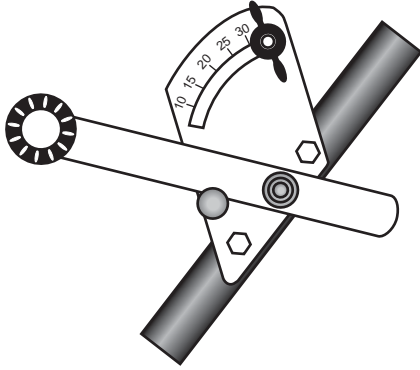
Agitador giratorio

Use el agitador giratorio solo si es necesario. Los materiales que no contengan terrones y fluyan libremente no necesitarán el agitador. El agitador giratorio puede instalarse

FUNCIONAMIENTO

o retirarse fácilmente. Coloque la arandela de fieltro alrededor del eje del rotámetro antes de insertar el agitador.

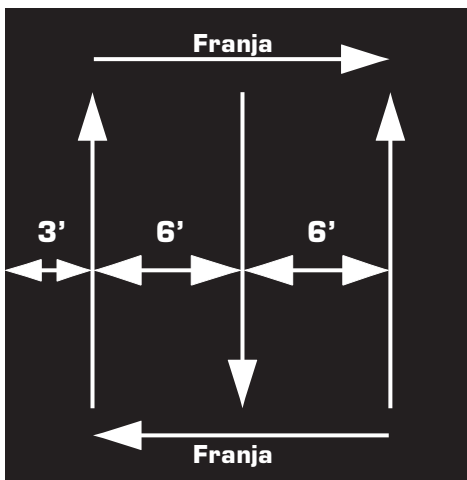
Nunca deje el fertilizante ni otros materiales en la tolva. Pueden generar humedad, formar terrones y provocar la corrosión o el atasco innecesarios de los controles y otras piezas. Los residuos de hielo derretido son especialmente corrosivos. Limpie y aplique aceite al esparcidor inmediatamente después de cada uso.



NOTA: Al determinar la configuración requerida, el borde de la tuerca de mariposa, no el centro, es el marcador. Cuando la manija de control de flujo se abre totalmente, el borde de la tuerca de mariposa debe estar en la marca 30.

¡IMPORTANTE! Recuerde arrancar y parar el esparcidor en movimiento. No abra la palanca de control de flujo mientras está detenido, o el material simplemente se arrojará sobre el suelo sin esparcirse.

Realice el esparcimiento en franjas en cada uno de los extremos de la zona. Esto permite tener una zona de giro para alinear el esparcidor para la próxima pasada. Luego comience en el borde de la zona que va a esparcir. Realice el esparcimiento hasta que llegue a la franja. Gire la manija de control de flujo para cerrarla cuando todavía esté en movimiento. Haga su giro y comience con la fila siguiente. Vuelva a abrir la manija de control de flujo cuando llegue al borde de la zona de franjas. Abra la manija de control de flujo en movimiento.



Esparcimiento de materiales para derretir hielo

Retire la rejilla de la tolva para evitar daños.

Comience con la configuración de control de flujo en 20 y realice una pasada de prueba. Ajuste según sea necesario para aumentar o disminuir la cobertura.

Cuando termine, asegúrese de limpiar bien el esparcidor, ya que el hielo derretido puede ser altamente corrosivo.

Vuelva a colocar la rejilla cuando haya terminado.

Calibración de la placa de corte

Consulte la Figura 6 y la Figura 7 en las páginas 24 y 25.

MANTENIMIENTO

Para garantizar que el esparcidor sirva muchos años sin inconvenientes, límpielo a fondo después de cada uso. Mueva la manija de control de flujo a medida que enjuague para evitar la acumulación de materiales.

En caso de corrosión en las piezas del bastidor, lije levemente y pinte con esmalte.

Lubrique periódicamente todas las superficies del cojinete.

Nunca deje material en la tolva durante períodos prolongados.

Revise periódicamente que todos los sujetadores estén ajustados.

SOLUCIÓN DE PROBLEMAS

Es difícil mover la manija de control de flujo o no se mueve: Revise si hay acumulación de material entre la parte inferior de la tolva y la placa de corte. Limpie según sea necesario.

CUADRO DE TASAS DE APLICACIÓN

Medios	lbs/1000 pies cuadrados	Configuración del control de flujo a 3 MPH
All American		
Fertilizante multipropósito 10-10-10.	10	16.0
Bayer		
Control de larvas durante las estaciones	3.8	15.0
Control de larvas durante las estaciones	2.9	13.5
Exterminador total de insectos	3	13.5
Exterminador total de insectos	2	12.0
Potente exterminador de varios insectos	3	12.0
Potente exterminador de varios insectos	2	11.0
Control de larvas	3	12.0
Control de larvas	2	12.0
Fertilizante para césped más control de malas hierbas II 30-3-4	3.2	13.5
Control de larvas durante las estaciones	3.8	13.5
Control de larvas durante las estaciones	2.9	12.0
Fertilizante de inicio para césped 20-27-5	3.6	13.5
Fertilizante para césped más prevención de zacate cangrejo 30-3-4	3.2	13.5
Eliminator		
Gránulos exterminadores de hormigas, pulgas y garrapatas	3	13.5
	2.5	12.0
	2	12.0
Gránulos exterminadores de insectos con 5 % de diazinona	2	13.5
Howard Johnsons		
Fertilizante multipropósito 8-8-8	7	15.0
Fertilizante multipropósito 10-10-10	7	15.0
Fertilizante multipropósito 12-12-12	7	15.0
Ironite 1-0-0	5	13.5
Klay		

Medios	lbs/1000 pies cuadrados	Configuración del control de flujo a 3 MPH
Acondicionador para suelo de yeso granulado suave	4	13.5
Acondicionador para suelo de yeso granulado suave	3	12.0
Acondicionador para suelo de yeso granulado suave	2	12.0
Lesco		
46-0-0	2.2	15.5
39-0-0	2.6	15.5
34-3-11	2.9	16.0
32-3-8	3.1	16.0
30-3-7	3.3	16.0
28-5-12	3.6	16.0
24-5-11	4.2	16.0
19-19-19	5.3	16.0
18-24-12	4.2	15.0
24-2-11	4.2	15.0
26-2-11	3.8	15.5
24-0-11	4.2	16.0
18-0-18 Otoño/invierno	4.2	16.0
17-17-17 Multipropósito	5.9	16.0
16-4-8	6.3	16.0
15-5-10	6.7	16.0
15-0-15	6.7	16.0
Atrazine +17-2-11	6.0	16.0
Dimensión 0,015 % + 19-3-6	3.5	16.0
Mach 2™ 1,33 % + 24-5-11	3.4	16.0
Merit® 0,2 % + 24-5-11	3.5	15.5
Momentum® + Fertilizante	3.6	15.0
PCNB 12,5 % 10-0-20M 75 % PPSCU	4.0	15.5
PRE-M® 1,5 % + Fertilizante	2.3	15.0
PRE-M® 0,86 % + Fertilizante	4.0	16.0
Talstar® 0,069 % + Fertilizante	3.3	16.0
Malas hierbas y alimentación + 18-0-9	4.0	15.5
Malas hierbas y alimentación + 18-2-9	4.0	15.5
Dylox® 6,2*	3.0	16.0
Master Turf		
Combinación de festuca final	8	17.0
Combinación de festuca final	4	15.0

CUADRO DE TASAS DE APLICACIÓN

Medios		lbs/1000 pies cuadrados	Configuración del control de flujo a 3 MPH	Medios		lbs/1000 pies cuadrados	Configuración del control de flujo a 3 MPH
	Milogranito 6-2-0	8	17.0		Mezcla de semillas para césped con sol y sombra Master Turf	5	16.0
	Milogranito 6-2-0	16	20.0		Alimento para césped 27-4-6	3.6	16.5
Miracle-Gro					Alimento para ciempiés 18-0-18	4.0	17.0
	Fertilizante para césped más control de malas hierbas 28-3-3	3.2	13.5		Alimento para St. Augustine, Bahía y Bermuda 26-6-9	4.0	18.0
	Fertilizante de inicio para césped 20-27-5	3.6	13.5		Alimento para césped en otoño 10-5-15	4.0	15.5
	Fertilizante de inicio para césped 29-3-4	3.1	12.0		Prevención de zacate cangrejo más fertilizante 5-10-25	4.0	16.5
Ortho					Inicio de césped 18-24-6	3.6	16.5
	Gránulos para exterminación de insectos en el césped	9.6	16.0		Malas hierbas y alimentación con atrazine 25-4-6	4.0	17.0
	Gránulos para exterminación de insectos en el césped	4.8	13.5		Alimento para festuca 28-5-10	4.0	16.5
	Gránulos para exterminación de insectos en el césped	2.4	11.5		Malas hierbas y alimentación con triamina 25-4-6	3.6	16.5
	Gránulos para exterminación de insectos en el césped	1.2	11.5		Real-Kill		
	Exterminador máximo de insectos para césped	4	13.5		Exterminador multipropósito de insectos para césped y jardín	2	12.0
	Exterminador máximo de insectos para césped	2	12.0		Exterminador multipropósito de insectos para césped y jardín	2.5	12.0
	Exterminador máximo de insectos para césped	1	11.5		Rebel's		
Parkers					Combinación suprema de semillas para césped para sol y sombra	10	18.0
	Súper fertilizante para suelo, césped y jardín 10-10-10	10	16.0		Combinación suprema de semillas para césped para sol y sombra	5	16.0
	Súper fertilizante para suelo, césped y jardín 16-4-8	6.5	13.5		Ringer		
Pennington					Restauración para césped 10-2-6	10	18.0
	Fertilizante de inicio para césped 18-24-6	3.6	15.0		Sam's Choice		
	Mezcla de semillas para césped de alto tránsito Master Turf	10	18.0		Prevención de zacate cangrejo 30-3-4	12.3	19.0
	Mezcla de semillas para césped de alto tránsito Master Turf	5	16.0		Prevención de zacate cangrejo 30-3-4	8.1	16.0
	Mezcla de semillas para césped con sombra Master Turf	8	18.0		Prevención de zacate cangrejo 30-3-4	6	16.0
	Mezcla de semillas para césped con sombra Master Turf	4	16.0		Prevención de zacate cangrejo 30-3-4	5.4	15.0
	Mezcla de semillas para césped con sol y sombra Master Turf	10	18.0				

CUADRO DE TASAS DE APLICACIÓN

Medios	lbs/1000 pies cuadrados	Configuración del control de flujo a 3 MPH
Control de insectos más fertilizante 28-4-6	3	12.0
Alimento para césped 29-3-4	3.2	13.5
Fertilizante de inicio 20-27-5	6	16.0
Fertilizante de inicio 20-27-5	3.6	13.5
Scotts		
Mezcla clásica de semillas para césped en otoño	4	16.0
Mezcla clásica de semillas para césped en otoño	2	13.5
Grubex	2.3	12.0
Control de larvas durante las estaciones Grubex	3.1	13.5
Control de larvas durante las estaciones Grubex	2.3	13.5
Control de hongos para césped	1.4	12.0
Control de hongos para césped	2.7	13.5
Mezcla pura de primera calidad Kentucky para hierbas	2.2	13.5
Mezcla pura de primera calidad Kentucky para hierbas	1.1	12.0
Mezcla pura de primera calidad para césped para sol y sombra	2.5	13.5
Mezcla pura de primera calidad para césped para sol y sombra	1.25	12.0
Fertilizante de inicio 20-27-5	3.6	13.5
Fertilizante de inicio 20-27-5	5.9	13.5
Turf Builder 28-3-8	2.7	13.5
Fertilizante para césped Turf Builder 29-3-4	3.1	12.0
Turf Builder con protección para verano	2.7	13.5
Turf Builder más control de malas hierbas	2.9	13.5
Anticongelante 22-4-1	3.3	11.5
Turf Builder + detención 25-3-3	3.6	15.0
Turf Builder más 2 control de malas hierbas y fertilizante para césped 26-3-3	3.5	14.5

Medios	lbs/1000 pies cuadrados	Configuración del control de flujo a 3 MPH
Nuevas pepitas concentradas de fertilizante para césped Turf Builder 34-4-4	2.7	13.5
Fertilizante de inicio 17-23-6	4.0	15.0
Prevención de enfermedades para césped	2.7	15.5
Control de malas hierbas para césped 25-4-6	1.0	11.5
Turf Builder 28-3-3	3.2	17.0
	5.0	20.0
Malas hierbas y alimentación 33-3-3	2.5	13.5
SCOTTS PRO TURF		
Fungicida VII 8-2-1	25.0	25.0
	12.7	27.0
	13.4	13.0
Fertilizante para césped Turf Builder 29-3-4	8.2	15.5
Turf Starter con Poly S 16-26-12	4.1	18.0
Fertilizante + Fungicida VIII 23-3-3	1.6	13.5
Fertilizante HD + hierro 29-3-3	3.2	14.5
Fertilizante HD Fairway 32-3-10	3.1	16.5
Fertilizante menor 26-4-13	3.9	14.5
Fertilizante verde Hi K 15-0-30	3.4	13.5
Inicio HD (gránulos pequeños) 19-26-5	3.5	14.5
Fertilizante Hi K 15-0-30	3.4	15.5
Control de musgos 16-0-0	3.9	13.0
Hierro S 16-0-0	1.7	13.5
Fertilizante súper verde 19-0-17	4.6	14.5
Fertilizante Turf + 2 % de hierro con PolyS 25-3-10	3.3	16.5
Fertilizante ProTurf con PolyS 34-3-6	2.8	16.5
Fertilizante NPK Turf con PolyS 21-3-20	4.6	16.5
Fungicida X	4.9	15.5
FF-II 14-3-3	4.7	13.5
Fungicida sistémico	2.6	15.0

CUADRO DE TASAS DE APLICACIÓN

Medios		lbs/1000 pies cuadrados	Configuración del control de flujo a 3 MPH	Medios		lbs/1000 pies cuadrados	Configuración del control de flujo a 3 MPH
	Fertilizante más control de malas hierbas preemergentes 22-4-4	3.3	18.0		Malas hierbas y alimentación 28-2-4	3.2	13.5
		3.8	18.5		Mezcla de semillas para césped para sol y sombra	10	18.0
		4.5	19.5		Mezcla de semillas para césped para sol y sombra	5	16.0
		4.9	20.0		Vigoro		
	Fertilizante Turf más control de malas hierbas preemergentes 22-0-6	3.8	18.5		Control de insectos más fertilizante	3	11.5
		4.2	19.5		Fertilizante de inicio	3.6	13.5
		4.9	20.0		Fertilizante Turf 29-3-4	3.2	13.5
		5.8	21.0		Anticongelante Ultra Turf 22-3-14	3	12.0
		6.1	22.0		Malas hierbas y alimentación	3.2	13.5
		8.7	27.0		Wal-Mart		
		9.6	30.0		Semillas para césped y hierbas de jardín Kentucky	4	16.0
	PROGRAMA DE CUATRO ESTACIONES DE SCOTTS				Semillas para césped y hierbas de jardín Kentucky	2	13.5
	Paso 1: Prevención de zacate cangrejo más fertilizante	3	15		Festuca para jardín Kentucky 31	8	18.0
	Paso 2: Control de malas hierbas más fertilizante	2.5	15		Festuca para jardín Kentucky 31	4	16.0
	Paso 3: Control de insectos más fertilizante	3.1	16.5		Malas hierbas y alimentación 28-3-3	3.2	13.5
	Paso 4: Fertilizante para césped	2.8	15.5				
	Sevin				Fertilizantes genéricos (si no tiene otro método)	1	12
	Gránulos para insectos en el césped	4.6	13.5			2	13
	Gránulos para insectos en el césped	2.33	13.5			3	14
	Gránulos para insectos en el césped	2.25	13.5			4	15
	Spectracide					5	17
	Detención de larvas	3	13.5			6	18
	Gránulos exterminadores de insectos de triazicide	3	11.5			7	19
	Sta-Green					8	20
	Fertilizante para césped 29-2-5	3.6	13.5			9	22
	Control de malas hierbas para césped	2	12.0			10	24
	Hierbas y alimentación 200 Plus 28-3-3	3.2	13.5		Semillas de pasto genéricas (si no tiene otro método)	2	18
	Fertilizante de inicio 18-24- 10	3.6	13.5			3	20
						4	22
						5	24



Accesorios

La garantía limitada a continuación ha sido establecida por Brinly-Hardy Company con respecto a los productos nuevos comprados y usados en los Estados Unidos, sus territorios y posesiones.

Brinly Hardy Company brinda una garantía de los productos mencionados a continuación contra defectos de materiales y fabricación y, a su criterio, reparará o reemplazará, sin costo alguno, toda pieza con defectos de materiales o fabricación. Esta garantía limitada solo se aplicará si este producto ha sido armado, utilizado y ha recibido mantenimiento de acuerdo con el manual de funcionamiento provisto con el producto, y no ha sido sujeto a maltrato, abuso, uso comercial, negligencia, accidente, mantenimiento inadecuado, modificación, vandalismo, robo, fuego, agua, ni daño ocasionado por otro peligro o desastre natural.

El desgaste normal de sus piezas o componentes está sujeto a los siguientes términos: el producto estará cubierto contra todo desgaste normal de partes o falla de componentes por un período de 90 días.

Reemplazaremos toda parte que se encuentre defectuosa dentro del período de garantía sin costo. Nuestra obligación en esta garantía se limita expresamente al reemplazo o la reparación, según nuestro criterio, de las partes que presenten defectos de materiales o fabricación.

CÓMO OBTENER SERVICIO: Los reemplazos de partes cubiertas por la garantía están disponibles, SOLO CON EL COMPROBANTE DE COMPRA, en nuestro Departamento de Atención al Cliente de Accesorios Pull Behind. Llame al 877-728-8224.

Esta garantía limitada no ofrece cobertura en los siguientes casos:

- Artículos de mantenimiento rutinario tales como lubricantes y filtros.
- Deterioro normal del acabado exterior debido al uso o a la exposición.
- Cargos de transporte o trabajo.
- La garantía no incluye el uso de alquiler o comercial.

Ninguna otra garantía, como alguna garantía implícita de comerciabilidad o idoneidad para un propósito particular, se aplica después del período vigente de garantía escrita expresa mencionada con respecto a las partes que se identifican a continuación. Ninguna otra garantía expresa, sea escrita u oral, excepto como

se menciona anteriormente, otorgada por cualquier persona o entidad, como un distribuidor o minorista, con respecto a cualquier producto, obligará a Brinly-Hardy Co. Durante el período de garantía, la única solución es la reparación o el reemplazo de la parte como se estipula anteriormente.

Las disposiciones, como se expresan en esta garantía, brindan la única y exclusiva solución emanada de la venta. Brinly-Hardy Co. no será responsable por pérdidas o daños incidentales o indirectos, incluidos, entre otros, los gastos ocasionados por los servicios de cuidado del césped o los gastos de alquiler para reemplazar temporalmente el producto garantizado.

Algunos estados no permiten la exclusión o limitación de daños incidentales o indirectos, o limitaciones sobre el período de duración de una garantía implícita, de manera que las exclusiones o limitaciones anteriores podrían no aplicarse en su caso.

Durante el período de garantía, la única solución es el reemplazo de la parte. En ningún caso la recuperación de cualquier tipo será superior al monto del precio de compra del producto vendido. La modificación de las características de seguridad del producto invalidará esta garantía. Usted asume el riesgo y la obligación por la pérdida, daño, o lesión a su persona y a su propiedad o a terceros y su propiedad que surjan a raíz del mal uso y la incapacidad para usar este producto.

Esta garantía limitada no se extenderá a nadie distinto al comprador original o a la persona para quien fue adquirida como un regalo.

CÓMO SE RELACIONA LA LEY ESTATAL CON ESTA

GARANTÍA: Esta garantía limitada le otorga a usted derechos legales específicos y usted podría tener también otros derechos que varían de un estado a otro.

IMPORTANTE: El período de garantía indicado a continuación empieza con el COMPROBANTE DE COMPRA. Sin el comprobante de compra, el período de garantía empieza desde la fecha de fabricación determinada por el número de serie de fabricación.

PERÍODO DE GARANTÍA DEL ESPARCIDOR:

El período de garantía de este esparcidor es el siguiente: 1 año para uso no comercial. Los neumáticos y las ruedas son elementos que se desgastan normalmente: 90 días.

SINCE 1839

BRINLY

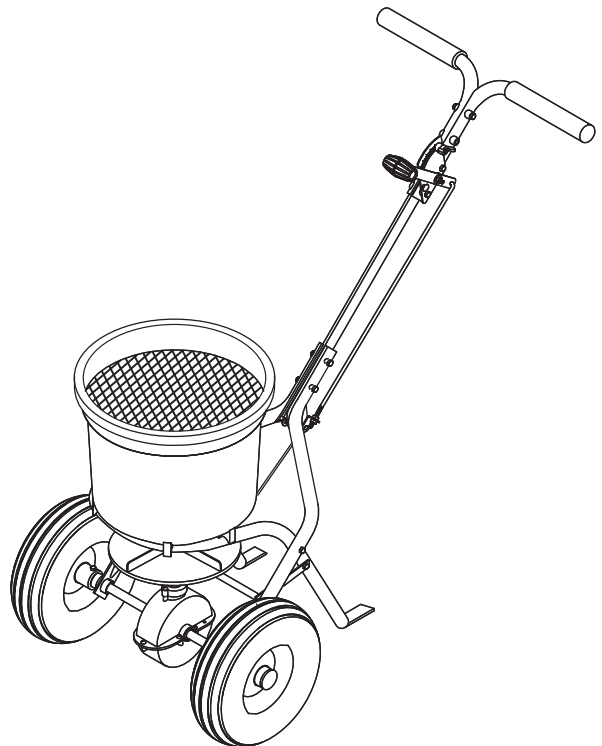
Manuel du propriétaire

Épandeur poussé

MODÈLE :

P20-500BH

- Assemblage
- Installation
- Utilisation
- Pièces de rechange



▲ IMPORTANT

Ce manuel contient des renseignements relatifs à la sécurité des personnes et des biens. Lisez-le attentivement avant d'assembler et d'utiliser l'équipement!

Para consultar las últimas actualizaciones de productos y obtener consejos sobre instalación:

¡Visítenos en la web!
www.brinly.com

INTRODUCTION

FÉLICITATIONS pour l'achat de votre nouvel épandeur centrifuge Brinly-Hardy! Votre épandeur centrifuge a été conçu, pensé et fabriqué dans le but de vous offrir la plus grande fiabilité et le meilleur rendement possible.

RESPONSABILITÉS DU CLIENT

Veillez lire et conserver le présent manuel. Les instructions vous permettront d'assembler et d'entretenir l'épandeur centrifuge de manière adéquate. Il est impératif que vous ayez une parfaite connaissance des commandes et du fonctionnement de l'équipement et que vous sachiez comment arrêter la machine et désengager les commandes rapidement. Veuillez toujours observer les mesures de « Sécurité ».

TABLE DES MATIÈRES

SÉCURITÉ	34-35
NOMENCLATURE DES PIÈCES	36-37
ASSEMBLAGE	38-41
FONCTIONNEMENT ET ENTRETIEN	42-43
TABLEAU DES TAUX D'APPLICATION.....	44-47
GARANTIE	48

ENREGISTREMENT DES RENSEIGNEMENTS D'ACHAT

Inscrivez les renseignements relatifs à l'achat dans les espaces fournis ci-dessous :

DATE D'ACHAT :

NOM DU DÉTAILLANT :

TÉLÉPHONE DU DÉTAILLANT :

NUMÉRO DE SÉRIE :

SÉCURITÉ

ÉTIQUETTES DE SÉCURITÉ

COMPRÉHENSION DES ÉTIQUETTES DE SÉCURITÉ APOSÉES SUR LA MACHINE :

Les étiquettes relatives à la sécurité illustrées dans cette section sont apposées sur des zones importantes de la machine pour mettre en évidence les dangers potentiels pouvant porter atteinte à la sécurité.

Les étiquettes relatives à la sécurité apposées sur la machine portent les mentions DANGER, AVERTISSEMENT et MISE EN GARDE accompagnées de ce symbole d'alerte à la sécurité. La mention DANGER identifie les dangers les plus graves.

Le cas échéant, le manuel de l'utilisateur explique également les dangers potentiels relatifs à la sécurité à l'aide de messages de sécurité spécifiques qui sont identifiés par la mention MISE EN GARDE et le symbole d'alerte à la sécurité.



UTILISATION SÉCURITAIRE

Veillez à rester à distance des passants lorsque vous utilisez cette machine.

Utilisez cette machine uniquement pour l'usage pour lequel elle a été conçue.

Cet équipement est conçu pour l'entretien des pelouses et d'autres tâches domestiques.

Ne laissez pas les enfants ou des personnes sans formation s'en servir.

Maintenez toutes les pièces en bonne condition et correctement installées. Réparez immédiatement les pièces endommagées. Remplacez les pièces usées ou endommagées.

Ne modifiez pas la machine ni les dispositifs de sécurité. Les modifications non autorisées sur la machine peuvent compromettre son fonctionnement ainsi que ses dispositifs de sécurité et entraîner l'annulation de la garantie.

Ne laissez personne s'asseoir ou monter sur le matériel lorsqu'il est en fonctionnement. Ne laissez aucun passager monter sur l'accessoire.

Portez des chaussures solides et un pantalon long. N'utilisez pas le matériel lorsque vous êtes pieds nus ou que vous portez des sandales ouvertes.

Ne portez pas de vêtements amples qui risquent de se prendre dans les pièces mobiles.

Portez toujours une protection pour les yeux lorsque vous utilisez le matériel.

Faites attention aux trous présents sur le terrain et aux autres dangers dissimulés.

Soyez attentif à la circulation lorsque vous traversez une route ou lorsque vous circulez près d'une route.

Avant l'utilisation de toute fonction de la machine, regardez aux alentours et vérifiez l'absence de passants.

Lavez-vous les mains après tout contact avec des engrais et des pesticides.

Assurez-vous que le matériel est dans un état de fonctionnement sécuritaire en maintenant tous les écrous, boulons et vis bien serrés.

NOMENCLATURE DES PIÈCES



Des questions sur l'installation?

Des pièces manquantes?

Des pièces de remplacement?

**NE RETOURNEZ PAS
CHEZ LE DÉTAILLANT!**

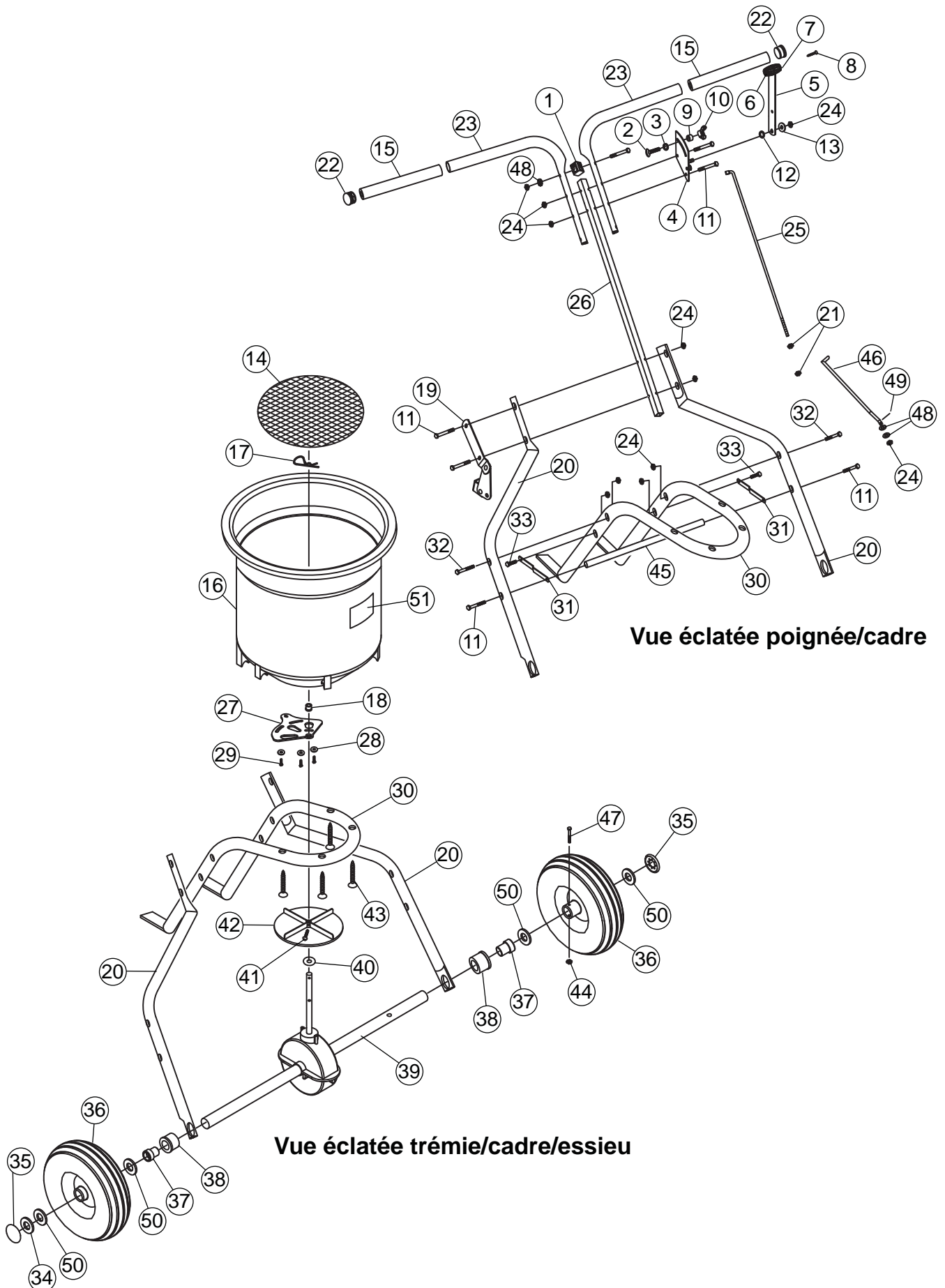
Appelez gratuitement notre Service
d'assistance à la clientèle au 877-
728-8224 ou envoyez un courriel à :
customerservice@brinly.com

Article	Description	N° de pièce	Qté
1	Entretoise de poignée	1007081	1
2	Boulon de carrosserie, M6 x 25	1007082	1
3	Rondelle, M6	1007083	1
4	Ensemble de la jauge et du levier	1007084	1
5	Ensemble de la poignée de réglage	1007085	1
6	Molette de la poignée de réglage côté 1	1007086	1
7	Molette de la poignée de réglage côté 2	1007087	1
8	Vis, M4 x 18	1007088	1
9	Entretoise de poignée	1007089	1
10	Écrou à oreilles, M6	1007090	1
11	Boulon, M6 x 45	1007091	7
12	Rondelle en nylon	1007092	1
13	Rondelle plate, M6, grande	1007093	1
14	Tamis	1007094	1
15	Protection de la poignée	1007095	2
16	Ensemble de la trémie, noir*	1008017*	1
17	Goupille en R, diamètre M2	1007097	1
18	Bague de la trémie	1007098	1
19	Ensemble du pivot et du support	1007099	1
20	Tube du cadre de roue	1007100	2
21	Écrou, M6	1007101	2
22	Embout	1007102	2
23	Poignée supérieure	1007103	2
24	Contre-écrou, M6	1007104	11

Article	Description	N° de pièce	Qté
25	Tige de commande A	1007105	1
26	Arbre de la poignée	1007106	1
27	Plaque d'arrêt	1007107	1
28	Rondelle plate, M4, grande	1007108	3
29	Vis, M4 x 12	1007109	3
30	Cadre	1007110	1
31	Renfort du cadre	1007111	2
32	Boulon, M6 x 50	1007112	2
33	Boulon, M6 x 30	1007113	2
34	Rondelle plate, M16	1007114	1
35	Capuchon	1007115	2
36	Roue pneumatique	1007116	2
37	Bague de l'essieu	1007117	2
38	Roulement de l'essieu	1007118	2
39	Ensemble de la boîte d'engrenage et de l'essieu	1007119	1
40	Goupille fendue de 2,9 mm x 28 mm, inox.	1008031	1
41	Vis, M4 x 20	1007121	1
42	Rouet centrifuge	1007122	1
43	Vis, M6 x 40	1007123	4
44	Contre-écrou à six pans, M5	1007124	1
45	Croisillon	1007125	1
46	Bielle de réglage, B	1007126	1
47	Boulon à tête hexagonale, M5 x 45	1007127	1
48	Rondelle plate, M6	1007128	3
49	Goupille fendue, petite	1008098	2
50	Rondelle en nylon	1007531	4
51	Autocollant Brinly	1008099	1

*L'ensemble inclut les pièces numéro 16, 18, 27, 28 et 29.

NOMENCLATURE DES PIÈCES



Vue éclatée poignée/cadre

Vue éclatée trémie/cadre/essieu

ASSEMBLAGE

OUTILS REQUIS :

Clés de 2 à 10 mm

Figure 1

1. Enlevez les deux contre-écrous M6 et les deux boulons M6 de longueur 45 mm de façon à pouvoir retirer l'ensemble du pivot et du support des tubes du cadre de la roue. Mettez les boulons et les écrous de côté. Ils seront remis en place à l'étape 3.

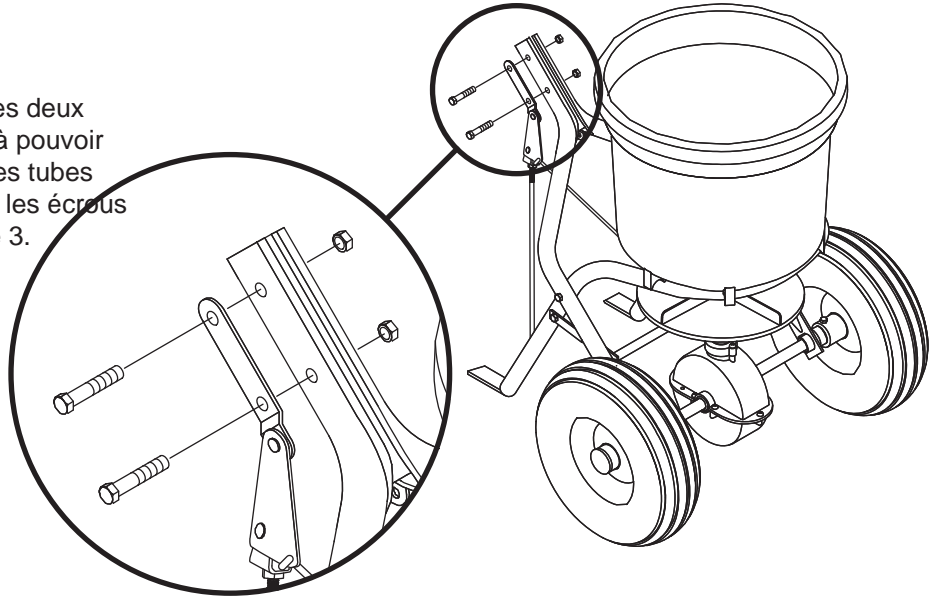


Figure 2

2. Basculez l'ensemble du bras et insérez la tige dans la poignée de commande du débit.



Figure 3

3. Insérez l'ensemble du bras entre les tubes du cadre. Remettez en place l'ensemble du pivot et du support à travers les tubes du cadre de la roue et à travers l'ensemble du bras et fixez-le avec les deux boulons M6 x 45 mm et les deux contre-écrous M6 enlevés à l'étape 1.

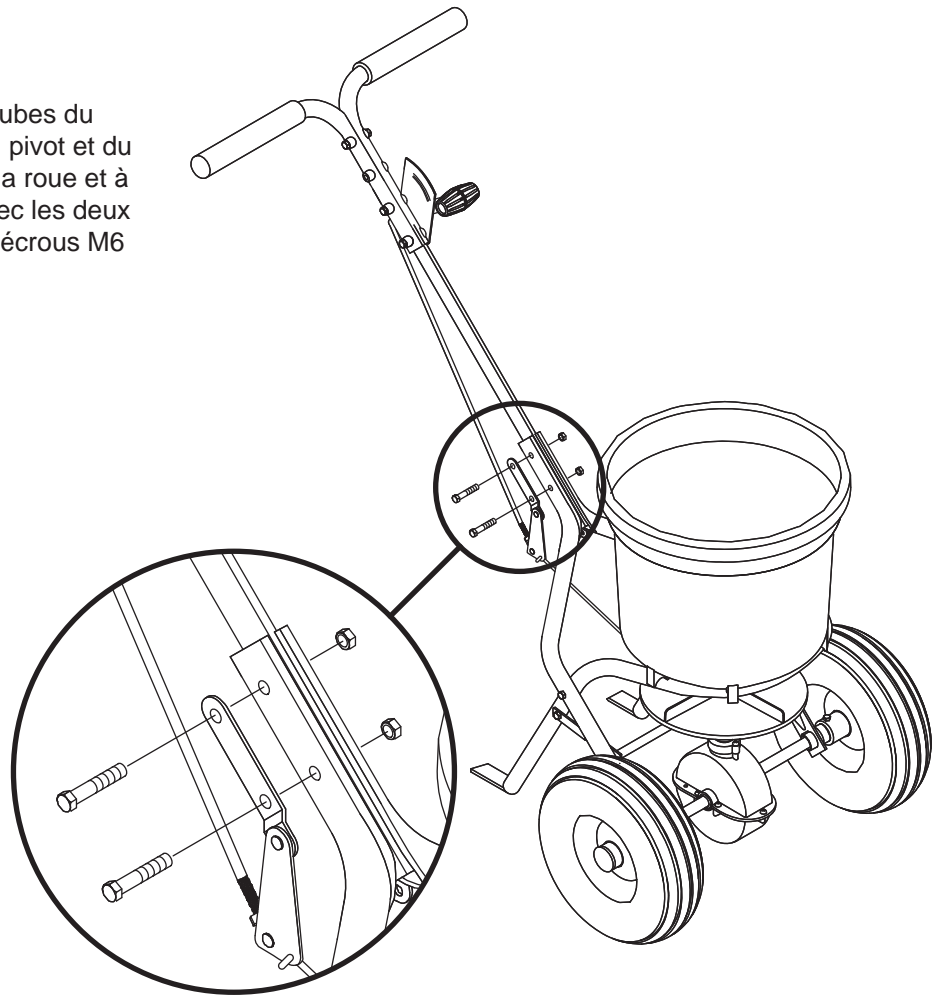


Figure 4

4. Serrez les boulons et les écrous des deux côtés de l'épandeur, au niveau des emplacements illustrés.

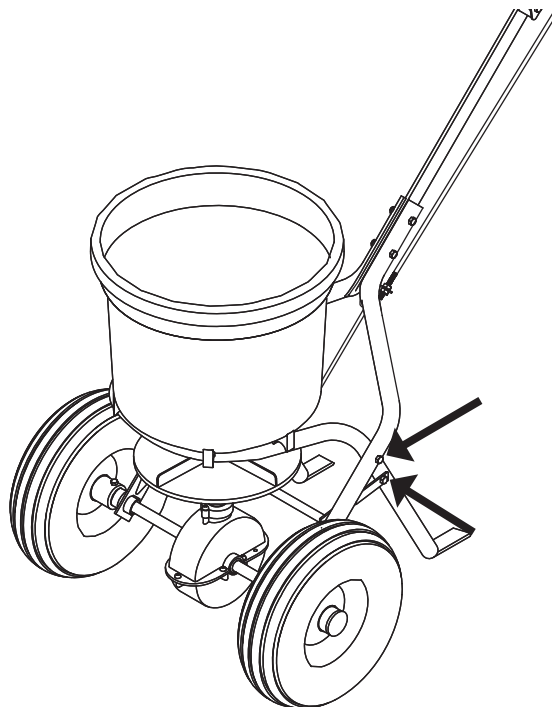


Figure 5

5. Abaissez la poignée de commande du débit jusqu'en position complètement fermée, fermez la plaque d'arrêt sous la trémie et serrez manuellement l'écrou du bas à fond sur la tige de liaison. Serrez manuellement l'écrou du haut à fond sur la tige de liaison.

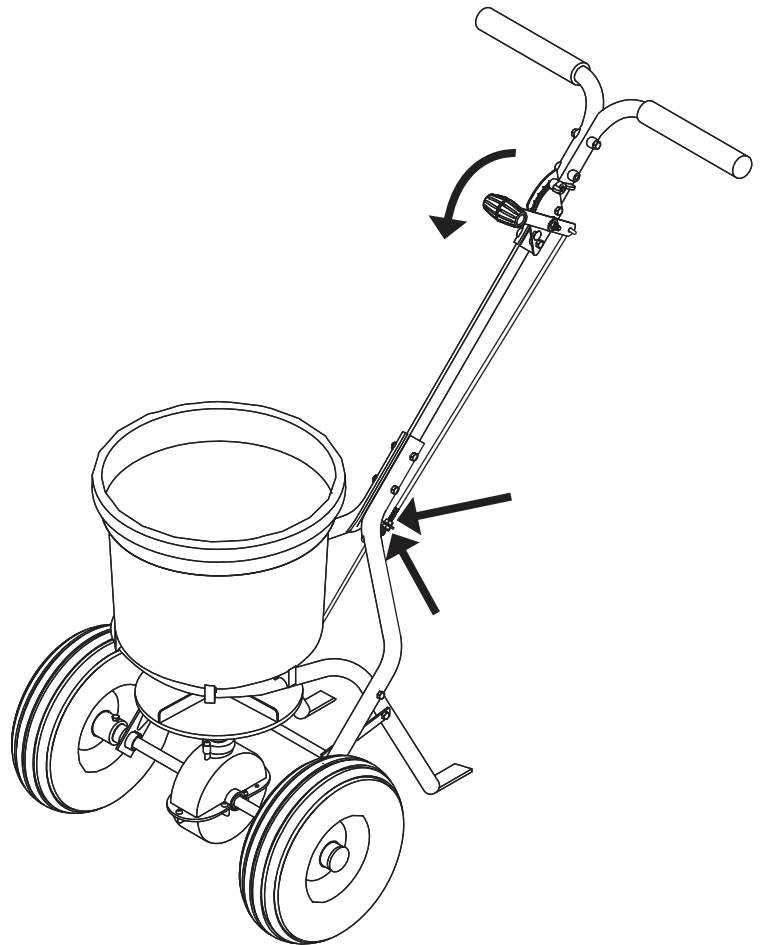


Figure 6

6. REMARQUE : le repère n'est pas le centre, mais le bord de l'écrou à oreilles. Lorsque la poignée de commande du débit est entièrement ouverte, le bord de l'écrou à oreilles doit être sur la marque 30.

Placez le bord de l'écrou à oreilles sur la marque 30 et serrez.

Poussez la poignée de commande du débit vers le haut et à nouveau vers le bas et vérifiez que la plaque d'arrêt en dessous de la trémie s'ouvre et se ferme correctement. Si nécessaire, réglez les écrous de la tige de liaison et serrez à fond manuellement.

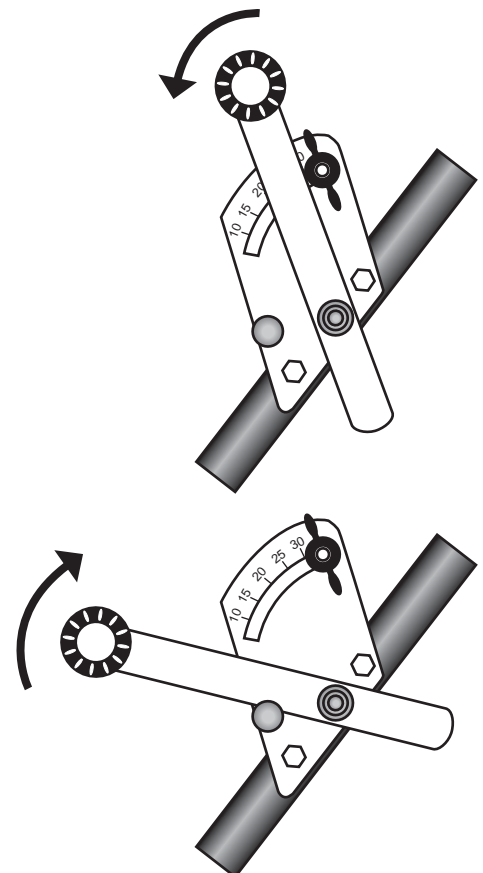


Figure 7

⚠ IMPORTANT Évitez les dommages! Utilisez uniquement une clé sur l'écrou inférieur. Ne pas utiliser de clé sur l'écrou supérieur.

7. Une fois le réglage terminé, serrez l'écrou inférieur de la tige de liaison à l'aide d'une clé.

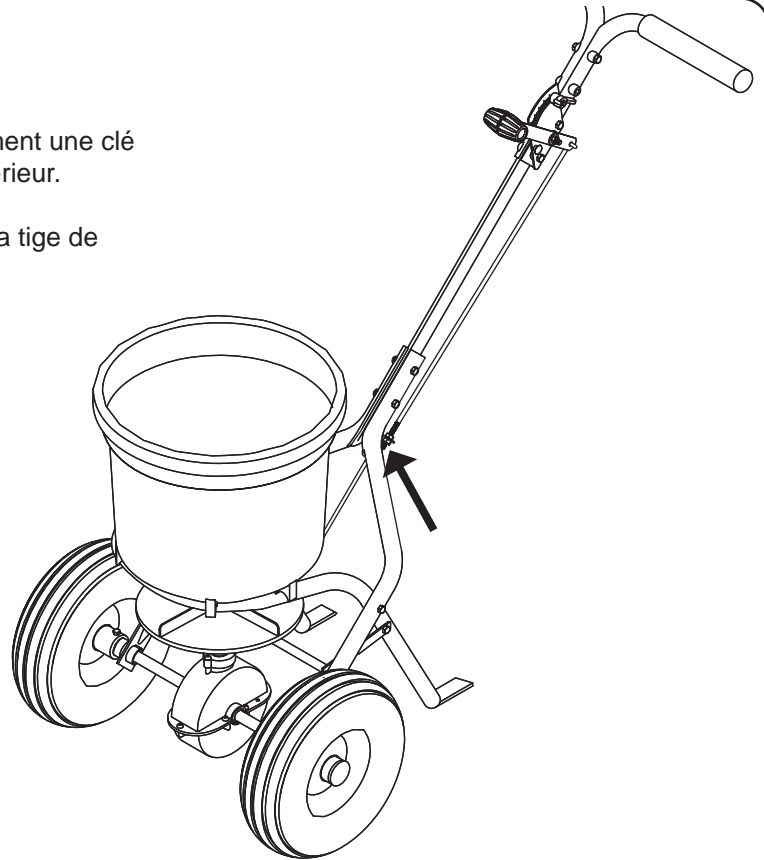
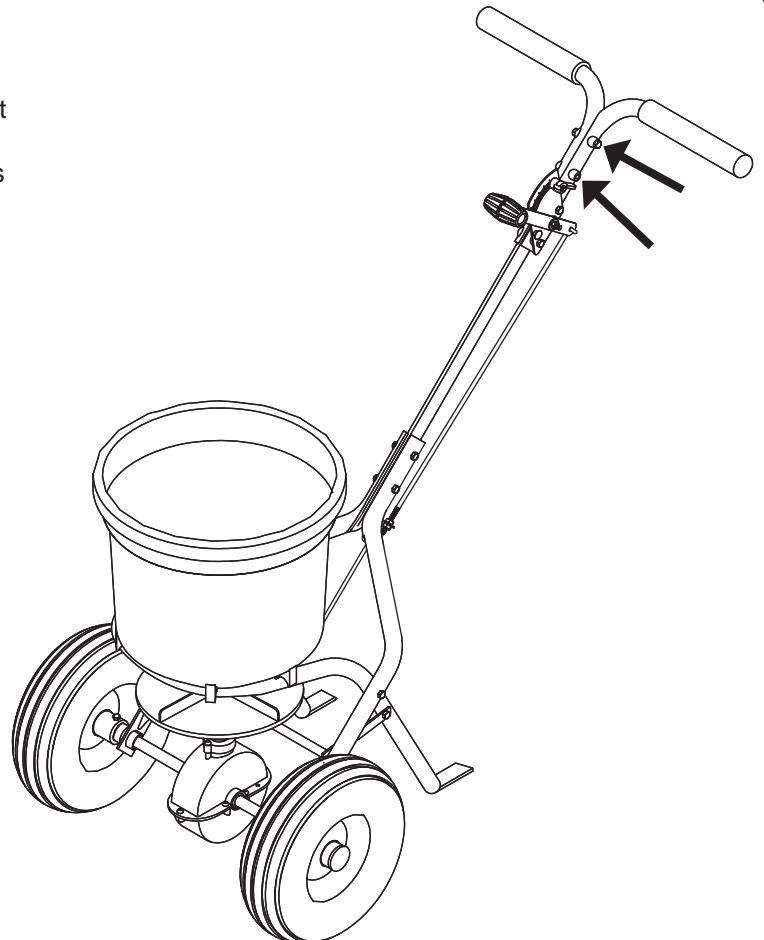


Figure 8

8. La poignée peut être abaissée en retirant les boulons et les écrous, en déplaçant l'ensemble de la poignée vers le bas et en utilisant les trous du haut pour les boulons et les écrous.



FONCTIONNEMENT ET ENTRETIEN

À LIRE AVANT USAGE

Veillez à vous familiariser avec le fonctionnement de l'épandeur avant de placer du produit dans la trémie.

Entraînez-vous à marcher avec l'épandeur, en ouvrant et en fermant la trappe de débit lorsqu'il le faut.

Effectuez le déplacement à vitesse constante et actionnez le levier de l'épandeur. N'oubliez pas : ouvrez la trappe de débit une fois l'épandeur en mouvement à une vitesse approximative de 3 mi/h (marche d'un pas vif).

Fermez la trappe de débit pendant que l'épandeur est encore en déplacement, à sa vitesse d'utilisation.

Renseignements sur la commande du débit

Le levier de commande du débit actionne la plaque de commande. La plaque du levier de commande est marquée de 0 à 30. La position sélectionnée détermine la quantité de matière à épandre. Plus la valeur est élevée, plus la quantité de matière épandue sera importante. Cela permet de régler le débit d'épandage avec précision.

La vitesse de rotation des pales et l'aire d'épandage sont contrôlées par la vitesse d'avancement de l'épandeur. L'aire d'épandage dépend également du volume/de la densité et de la taille des particules du produit.

Le produit épandu se trouve en plus faible quantité sur les bords extérieurs, ce qui élimine l'effet de rayures et de traînées. Il est ainsi possible d'effectuer un épandage plus important sous les arbres et autres zones nécessitant un apport d'engrais supplémentaire sans courir ce risque.

Les décalages et les recouvrements sont moins susceptibles de se produire. De légers écarts de pilotage ne se voient pas.

Remplissage de l'épandeur

⚠ WARNING Évitez les blessures! Les produits chimiques peuvent être dangereux.

Évitez tout risque de blessure chez les opérateurs ou les passants :

- Lisez les instructions de manipulation sur la fiche signalétique. Une fiche santé-sécurité doit vous être remise par le détaillant qui vous a vendu les produits chimiques. Cette fiche renferme les renseignements de sécurité pertinents.
- Portez des vêtements adéquats et un équipement de protection lors de la manipulation ou de l'épandage de produits chimiques.
- Interdisez à toute personne de fumer, de boire et de manger dans les environs des produits chimiques.

- Soyez extrêmement prudent lors de l'épandage de produits contenant de l'herbicide en ce qui concerne les écarts et les dérives dues au vent. Le contact de certains produits avec des plantes peut leur être fatal.

Conseils d'utilisation

Abaissez le levier de commande du débit vers la trémie pour fermer la trappe de débit.

Remplissez l'épandeur uniquement sur une surface plane et horizontale. Le remplissage doit s'effectuer sur un trottoir, une chaussée, un carton, etc. afin d'éviter le gaspillage du produit.

NE PAS surcharger en remplissant au-delà de la capacité maximale de 50 lb.

NE PAS utiliser en cas de vent.

Lors du remplissage de la trémie, utilisez toujours le tamis pour briser les blocs.

La lame du disque doit rester propre. L'accumulation de produit peut entraîner un épandage inégal.

Les pales doivent rester horizontales lors de l'utilisation de l'appareil.

Produit d'épandage

Déterminez le réglage approprié pour le produit en cours d'épandage (voir Tableau des taux d'application). Si aucun réglage n'est mentionné pour le produit en question, utilisez un produit de taille/poids semblable. Réglez le débit sur la valeur basse de la fourchette. Si ce réglage s'avère trop faible, passez une nouvelle fois sur la zone. Une fois qu'un réglage est testé avec succès, il est possible d'en utiliser un supérieur. Les réglages pour les semences de gazon et engrais génériques figurent à la fin de la liste.

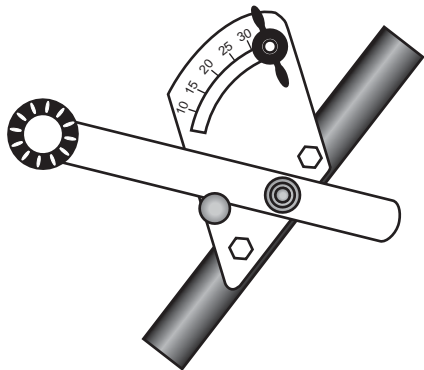
Rappel : les réglage du débit affichés ne sont qu'approximatifs. L'utilisation de l'épandeur, l'état du produit (humide ou sec, excessivement broyé) ainsi que les conditions climatiques, influent sur le réglage. Pour cette raison, il est souvent conseillé de faire deux passages croisés sur la zone, à un débit de moitié. En présence d'une forte humidité, il est fortement conseillé d'utiliser un débit de moitié.

Agitateur rotatif

Utilisez l'agitateur rotatif seulement si cela est nécessaire. Lorsque le produit est fluide et exempt de morceaux, il est inutile de l'utiliser. L'agitateur rotatif est facile à installer et à retirer. Placez la rondelle de feutre autour de l'axe de disque avant de poser l'agitateur.

Ne laissez jamais d'engrais ou d'autres produits dans la trémie. Ils peuvent absorber l'humidité, former des

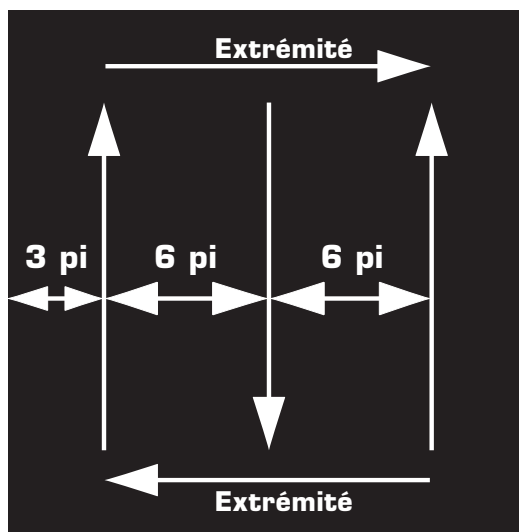
blocs et faire rouiller ou gripper les commandes ainsi que d'autres pièces. Les résidus de sel de déneigement sont particulièrement corrosifs. Nettoyez et huilez l'épandeur immédiatement après usage.



REMARQUE : lors du réglage du débit approprié, le repère n'est pas le centre, mais le bord de l'écrou à oreilles. Lorsque la poignée de commande du débit est entièrement ouverte, le bord de l'écrou à oreilles doit être sur la marque 30.

IMPORTANT! Le démarrage et l'arrêt de l'épandage doivent s'effectuer tout en déplaçant l'épandeur. Ne pas ouvrir le levier de commande du débit à l'arrêt, au risque de voir le produit se déverser sur le sol sans être épandu.

Épandez des bandes à chaque extrémité de la zone. Cela permet de ménager une zone de demi-tour pour aligner l'épandeur pour le prochain passage. Commencez ensuite sur le bord de la zone à épandre. Épandez jusqu'à atteindre la bande à l'extrémité. Tournez la poignée de commande du débit sur la position d'arrêt tout en continuant de déplacer l'épandeur. Faites demi-tour et commencez la prochaine rangée. Tournez à nouveau la poignée de commande du débit sur la position de marche une fois que l'épandeur a atteint le bord de la bande à l'extrémité. Tournez la poignée de commande du débit sur la position de marche tout en continuant d'avancer.



Épandage de sel de déneigement

Retirez le tamis de la trémie pour éviter tout dommage.

Commencez avec le réglage du débit sur 20 et faites un passage d'essai. Procédez au réglage pour augmenter ou diminuer l'aire d'épandage selon les besoins.

Une fois l'épandage terminé, assurez-vous de nettoyer minutieusement l'épandeur car le sel de déneigement est hautement corrosif.

Réinstallez le tamis une fois l'opération terminée.

Étalonnage de la plaque d'arrêt

Voir figures 6 et 7 en pages 40 et 41.

ENTRETIEN

Pour garantir un fonctionnement sans problème durant des années, nettoyez l'épandeur minutieusement après chaque utilisation. Déplacez la poignée de commande du débit au cours du rinçage pour éviter l'accumulation de matière.

Si de la rouille apparaît sur des éléments du cadre, sablez légèrement et appliquez une peinture laquée.

Lubrifiez régulièrement toutes les surfaces de roulement.

Ne laissez jamais de matière dans la trémie durant des périodes prolongées.

Vérifiez régulièrement que toutes les fixations sont bien serrées.

RÉSOLUTION DE PROBLÈMES

La poignée de commande du débit est difficile à actionner ou est grippée :

Vérifiez la présence de produit accumulé entre le fond de la trémie et la plaque d'arrêt. Nettoyez si nécessaire.

TABLEAU DES TAUX D'APPLICATION

Média		Ib/1 000 pieds carré	Réglage du débit à 5 km/h (3 mi/h)
All American			
	Engrais tous usages 10-10-10.	10	16,0
Bayer			
	Varronicide pour toute la saison	3,8	15,0
	Varronicide pour toute la saison	2,9	13,5
	Insecticide complet	3	13,5
	Insecticide complet	2	12,0
	Insecticide polyvalent Power Force	3	12,0
	Insecticide polyvalent Power Force	2	11,0
	Varronicide	3	12,0
	Varronicide	2	12,0
	Engrais de pelouse et herbicide II 30-3-4	3,2	13,5
	Varronicide pour toute la saison	3,8	13,5
	Varronicide pour toute la saison	2,9	12,0
	Engrais de démarrage de pelouse 20-27-5	3,6	13,5
	Engrais de pelouse et herbicide de prévention pour digitale 30-3-4	3,2	13,5
Eliminator			
	Granulés contre les fourmis, les puces, et les tiques	3	13,5
		2,5	12,0
		2	12,0
	Granulés insecticides au dianizone 5 %	2	13,5
Howard Johnsons			
	Engrais tous usages 8-8-8	7	15,0
	Engrais tous usages 10-10-10	7	15,0
	Engrais tous usages 12-12-12	7	15,0
	Ferrite 1-0-0	5	13,5
Klay			
	Préparateur pour sol de gypse granulé Soft	4	13,5
	Préparateur pour sol de gypse granulé Soft	3	12,0

Média		Ib/1 000 pieds carré	Réglage du débit à 5 km/h (3 mi/h)
	Préparateur pour sol de gypse granulé Soft	2	12,0
Lesco			
	46-0-0	2,2	15,5
	39-0-0	2,6	15,5
	34-3-11	2,9	16,0
	32-3-8	3,1	16,0
	30-3-7	3,3	16,0
	28-5-12	3,6	16,0
	24-5-11	4,2	16,0
	19-19-19	5,3	16,0
	18-24-12	4,2	15,0
	24-2-11	4,2	15,0
	26-2-11	3,8	15,5
	24-0-11	4,2	16,0
	18-0-18 Automne/hiver	4,2	16,0
	17-17-17 Tous usages	5,9	16,0
	16-4-8	6,3	16,0
	15-5-10	6,7	16,0
	15-0-15	6,7	16,0
	Atrazine +17-2-11	6,0	16,0
	Dimension 0,015 % +19-3-6	3,5	16,0
	Mach 2MC 1,33 % +24-5-11	3,4	16,0
	MeritMD 0,2 % +24-5-11	3,5	15,5
	MomentumMD + engrais	3,6	15,0
	PCNB 12,5 % 10-0-20M 75 % PPSCU	4,0	15,5
	PRE-MMD 1,5 % + engrais	2,3	15,0
	PRE-MMD 0,86 % + engrais	4,0	16,0
	TalstarMD 0,069 % + engrais	3,3	16,0
	Herbicide et engrais +18-0-9	4,0	15,5
	Herbicide et engrais +18-2-9	4,0	15,5
	DyloxMD 6,2*	3,0	16,0
Master Turf			
	Mélange grande fétuque Ultimate	8	17,0
	Mélange grande fétuque Ultimate	4	15,0
	Milogranite 6-2-0	8	17,0
	Milogranite 6-2-0	16	20,0
Miracle-Gro			
	Engrais de pelouse et herbicide 28-3-3	3,2	13,5

TABLEAU DES TAUX D'APPLICATION

Média		Ib/1 000 pieds carré	Réglage du débit à 5 km/h (3 mi/h)	Média		Ib/1 000 pieds carré	Réglage du débit à 5 km/h (3 mi/h)
	Engrais de démarrage de pelouse 20-27-5	3,6	13,5		Engrais pour herbe de Saint-Augustin, de Bahia et des Bermudes 26-6-9	4,0	18,0
	Engrais de démarrage de pelouse 29-3-4	3,1	12,0		Engrais de pelouse d'automne 10-5-15	4,0	15,5
Ortho					Herbicide de prévention pour digitale et engrais 5-10-25	4,0	16,5
	Granulés insecticides pour pelouse	9,6	16,0		Engrais de démarrage pour pelouse 18-24-6	3,6	16,5
	Granulés insecticides pour pelouse	4,8	13,5		Herbicide et engrais avec atrazine 25-4-6	4,0	17,0
	Granulés insecticides pour pelouse	2,4	11,5		Engrais pour fétuque 28-5-10	4,0	16,5
	Granulés insecticides pour pelouse	1,2	11,5		Herbicide et engrais avec triamine 25-4-6	3,6	16,5
	Insecticide Max pour pelouse	4	13,5	Real-Kill			
	Insecticide Max pour pelouse	2	12,0		Insecticide polyvalent pour pelouse et jardin	2	12,0
	Insecticide Max pour pelouse	1	11,5		Insecticide polyvalent pour pelouse et jardin	2,5	12,0
Parkers				Rebel's			
	Engrais pour pelouse et jardin Super Soilife 10-10-10	10	16,0		Mélange de graines d'herbe pour ombre et soleil Supreme	10	18,0
	Engrais pour pelouse et jardin Super Soilife 16-4-8	6,5	13,5		Mélange de graines d'herbe pour ombre et soleil Supreme	5	16,0
Pennington				Ringer			
	Engrais de démarrage de pelouse 18-24-6	3,6	15,0		Restauration de pelouse 10-2-6	10	18,0
	Mélange de graines pour pelouse avec circulation importante Master Turf	10	18,0	Sam's Choice			
	Mélange de graines pour pelouse avec circulation importante Master Turf	5	16,0		Herbicide de prévention pour digitale 30-3-4	12,3	19,0
	Mélange de graines pour pelouse ombragée Master Turf	8	18,0		Herbicide de prévention pour digitale 30-3-4	8,1	16,0
	Mélange de graines pour pelouse ombragée Master Turf	4	16,0		Herbicide de prévention pour digitale 30-3-4	6	16,0
	Mélange de graines pour pelouse ensoleillée et ombragée Master Turf	10	18,0		Herbicide de prévention pour digitale 30-3-4	5,4	15,0
	Mélange de graines pour pelouse ensoleillée et ombragée Master Turf	5	16,0		Insecticide et engrais 28-4-6	3	12,0
	Engrais de pelouse 27-4-6	3,6	16,5		Engrais de pelouse 29-3-4	3,2	13,5
	Engrais pour myriapodes 18-0-18	4,0	17,0		Engrais de démarrage 20-27-5	6	16,0
					Engrais de démarrage 20-27-5	3,6	13,5
				Scotts			

TABLEAU DES TAUX D'APPLICATION

Média		Ib/1 000 pieds carré	Réglage du débit à 5 km/h (3 mi/h)
	Mélange de graines de gazon automnal Classic Grass Seed	4	16,0
	Mélange de graines de gazon automnal Classic Grass Seed	2	13,5
	Grubex	2,3	12,0
	Varronicide Grubex pour toute la saison	3,1	13,5
	Varronicide Grubex pour toute la saison	2,3	13,5
	Fongicide pour pelouse	1,4	12,0
	Fongicide pour pelouse	2,7	13,5
	Mélange de pâturin du Kentucky Pure Premium	2,2	13,5
	Mélange de pâturin du Kentucky Pure Premium	1,1	12,0
	Mélange de graines pour pelouse ensoleillée et ombragée Pure Premium	2,5	13,5
	Mélange de graines pour pelouse ensoleillée et ombragée Pure Premium	1,25	12,0
	Engrais de démarrage 20-27-5	3,6	13,5
	Engrais de démarrage 20-27-5	5,9	13,5
	Turf Builder 28-3-8	2,7	13,5
	Engrais de pelouse Turf Builder 29-3-4	3,1	12,0
	Turf Builder avec Summer Guard	2,7	13,5
	Turf Builder et herbicide	2,9	13,5
	Winterizer 22-4-1	3,3	11,5
	Turf Builder + Halt 25-3-3	3,6	15,0
	Herbicide et engrais de pelouse Turf Builder Plus 2 26-3-3	3,5	14,5
	Engrais de pelouse Turf Builder avec nouveaux granulés concentrés 34-4-4	2,7	13,5
	Engrais de démarrage 17-23-6	4,0	15,0
	Traitement préventif des maladies pour pelouse	2,7	15,5
	Herbicide pour pelouse 25-4-6	1,0	11,5

Média		Ib/1 000 pieds carré	Réglage du débit à 5 km/h (3 mi/h)
	Turf Builder 28-3-3	3,2	17,0
		5,0	20,0
	Engrais et herbicide 33-3-3	2,5	13,5
	SCOTTS PRO TURF		
	Fongicide VII 8-2-1	25,0	25,0
		12,7	27,0
		13,4	13,0
	Engrais de pelouse Turf Builder 29-3-4	8,2	15,5
	Turf Starter avec poly S 16-26-12	4,1	18,0
	Engrais et fongicide VIII 23-3-3	1,6	13,5
	Engrais HD avec fer 29-3-3	3,2	14,5
	Engrais HD pour allées 32-3-10	3,1	16,5
	Engrais avec additifs 26-4-13	3,9	14,5
	Engrais Hi K pour greens 15-0-30	3,4	13,5
	Engrais de démarrage HD (petits granulés) 19-26-5	3,5	14,5
	Engrais Hi K 15-0-30	3,4	15,5
	Anti-mousse 16-0-0	3,9	13,0
	Iron-S 16-0-0	1,7	13,5
	Engrais Super pour greens 19-0-17	4,6	14,5
	Engrais Turf + 2 % Fe avec PolyS 25-3-10	3,3	16,5
	Engrais ProTurf avec PolyS 34-3-6	2,8	16,5
	Engrais NPK Turf avec PolyS 21-3-20	4,6	16,5
	Fongicide X	4,9	15,5
	FF-II 14-3-3	4,7	13,5
	Fongicide systémique	2,6	15,0
	Engrais avec herbicide de pré-levée 22-4-4	3,3	18,0
		3,8	18,5
		4,5	19,5
		4,9	20,0
	Engrais de pelouse avec herbicide de pré-levée 22-0-6	3,8	18,5
		4,2	19,5
		4,9	20,0

TABLEAU DES TAUX D'APPLICATION

Média		Ib/1 000 pieds carré	Réglage du débit à 5 km/h (3 mi/h)	Média		Ib/1 000 pieds carré	Réglage du débit à 5 km/h (3 mi/h)
		5,8	21,0		Herbicide et engrais	3,2	13,5
		6,1	22,0	Wal-Mart			
		8,7	27,0		Graines de pâturin du Kentucky Gardens	4	16,0
		9,6	30,0		Graines de pâturin du Kentucky Gardens	2	13,5
	PROGRAMME QUATRE SAISONS SCOTTS				Grande féтуque Kentucky 31 Gardens	8	18,0
	Étape 1 - Herbicide de prévention pour digitale et engrais	3	15		Grande féтуque Kentucky 31 Gardens	4	16,0
	Étape 2 - Herbicide et engrais	2,5	15		Herbicide et engrais 28-3-3	3,2	13,5
	Étape 3 - Insecticide et engrais	3,1	16,5				
	Étape 4 - Engrais pour pelouse	2,8	15,5	Engrais génériques (si vous n'avez pas d'autre méthode)			
Sevin						2	13
	Granulés insecticides pour pelouse	4,6	13,5			3	14
	Granulés insecticides pour pelouse	2,33	13,5			4	15
	Granulés insecticides pour pelouse	2,25	13,5			5	17
Spectracide						6	18
	Grub Stop	3	13,5			7	19
	Granulés insecticides Triazicide	3	11,5			8	20
Sta-Green						9	22
	Engrais pour pelouse 29-2-5	3,6	13,5			10	24
	Herbicide pour pelouse	2	12,0	Semences de gazon génériques (si vous n'avez pas d'autre méthode)			
	Engrais et herbicide 200 Plus 28-3-3	3,2	13,5			3	20
	Engrais de démarrage 18- 24-10	3,6	13,5			4	22
	Herbicide et engrais 28-2-4	3,2	13,5			5	24
	Mélange de graines pour pelouse ensoleillée et ombragée	10	18,0				
	Mélange de graines pour pelouse ensoleillée et ombragée	5	16,0				
Vigoro							
	Insecticide et engrais	3	11,5				
	Engrais de démarrage	3,6	13,5				
	Engrais de pelouse 29-3-4	3,2	13,5				
	Ultra Turf pour l'hiver 22-3- 14	3	12,0				



Accessoires

La garantie limitée énoncée ci-dessous est fournie par Brinly-Hardy Company et a trait à la marchandise neuve acquise et utilisée aux États-Unis et dans ses possessions et territoires.

Brinly Hardy Company garantit les produits répertoriés ci-dessous contre les vices de matériau et de fabrication, et réparera ou remplacera, à sa discrétion et sans frais, toute pièce présentant des vices de matériau ou de fabrication. Cette garantie limitée s'applique uniquement si le produit a été assemblé, utilisé et entretenu en conformité avec le manuel de l'opérateur fourni avec le produit, et s'il n'a pas fait l'objet d'un usage inadéquat, abusif, commercial ou négligent, d'un accident, d'entretiens inappropriés, d'une modification, de vandalisme, d'un vol, d'un incendie, de dégâts causés par l'eau ou d'un dommage résultant de tout autre péril ou désastre naturel.

Les pièces ou composantes d'usure courante mentionnées ci-dessous sont assujetties aux conditions distinctes suivantes : toutes les défaillances des pièces ou composantes d'usure courante seront couvertes sur le produit pour une période de 90 jours.

Les pièces défaillantes pendant la période de la garantie seront remplacées à nos frais. Sous cette garantie, notre obligation est expressément limitée au remplacement ou à la réparation, à notre discrétion, de pièces présentant des vices de matériau et de fabrication.

POUR UN DÉPANNAGE : Les remplacements de pièces garanties sont fournis **UNIQUEMENT AVEC PREUVE D'ACHAT** auprès de notre Service d'assistance à la clientèle pour les accessoires remorqués. Composez le 877-728-8224.

Cette garantie limitée ne fournit pas de couverture dans les cas suivants :

- a) Articles d'entretien de routine, tels les lubrifiants et les filtres.
- b) Détérioration normale du fini extérieur due à l'utilisation ou à l'exposition aux éléments.
- c) Frais de transport et/ou de main-d'œuvre.
- d) La garantie ne couvre pas l'utilisation de produits de location et/ou commercial.

Aucune garantie implicite, y compris toute garantie implicite de qualité marchande et d'adaptation à un usage particulier, ne s'applique après la période applicable de la garantie expresse écrite ci-dessus relativement aux pièces identifiées ci-dessous. Aucune autre garantie expresse, écrite ou verbale, à l'exception
1008066 Rev. B

de celle mentionnée ci-dessus, consentie par toute personne ou toute entité, y compris un concessionnaire ou un détaillant, relativement à tout produit, ne viendra lier Brinly-Hardy Co. Au cours de la période couverte par la garantie, la solution exclusive est la réparation ou le remplacement du produit, comme énoncé plus haut. Les clauses décrites dans la présente garantie sont les seuls recours exclusifs découlant de l'achat du produit. Brinly-Hardy Co. ne pourra être tenu responsable d'aucune perte ou dommage accessoire ou indirect, y compris, sans restriction, les frais encourus pour des services de soins de pelouse de remplacement ou substituts, ou pour les frais de location pour le remplacement temporaire d'un produit sous garantie.

Certains États ou provinces ne permettent pas l'exclusion ou la restriction de dommages accessoires ou indirects ou de la durée de la garantie implicite, auquel cas, les exclusions ou restrictions pourraient ne pas s'appliquer.

Au cours de la période de garantie, le recours exclusif est le remplacement de la pièce. Aucune réparation ne pourra, quelles que soient les circonstances, dépasser le coût du prix d'achat du produit vendu. Toute altération des caractéristiques de sécurité de ce produit annulera cette garantie. Vous assumez le risque et la responsabilité en cas de toute perte et de tout dommage ou blessure subis par vous-même et votre propriété et/ou par d'autres et leur propriété à la suite d'une utilisation inadéquate de ce produit ou d'une incapacité à en faire usage.

Cette garantie limitée s'applique uniquement à l'acheteur original ou à la personne à laquelle ce produit a été offert.

LOIS DES ÉTATS OU DES PROVINCES RELATIVES À LA PRÉSENTE GARANTIE : La présente garantie limitée vous accorde des droits légaux spécifiques et vous pourriez également avoir d'autres droits qui varient d'un État ou d'une province à l'autre.

IMPORTANT : La période de garantie énoncée ci-dessous débute à la date de la PREUVE D'ACHAT. Sans la preuve d'achat, la période de garantie débute à la date de fabrication déterminée par la date de fabrication du numéro de série.

PÉRIODE DE GARANTIE DE L'ÉPANDÉUR :

La période de garantie pour cet épandeur est la suivante : 1 année d'une utilisation non commerciale, Les pneus et les roues constituent des pièces d'usure normale : 90 jours,