



NBPF-1150RB LOU Single Handle Bar Faucet, Oil Rubbed Bronze

Requested By: _____

Specific Features: _____

STANDARD SPECIFICATIONS:

- 180-degree pivot
- Solid brass construction
- Oil Rubbed Bronze finish
- Drip free high pressure ceramic cartridge
- Single hole deck mount installation
- 1.5-inch mounting hole diameter
- AB1953 low lead compliant
- CUPC (ASME A112.18.1-2012/CSA B125.1-12)
- NSF 372/61 and ANSI 61 certified
- CEC (California Energy Commission)
- ADA compliant

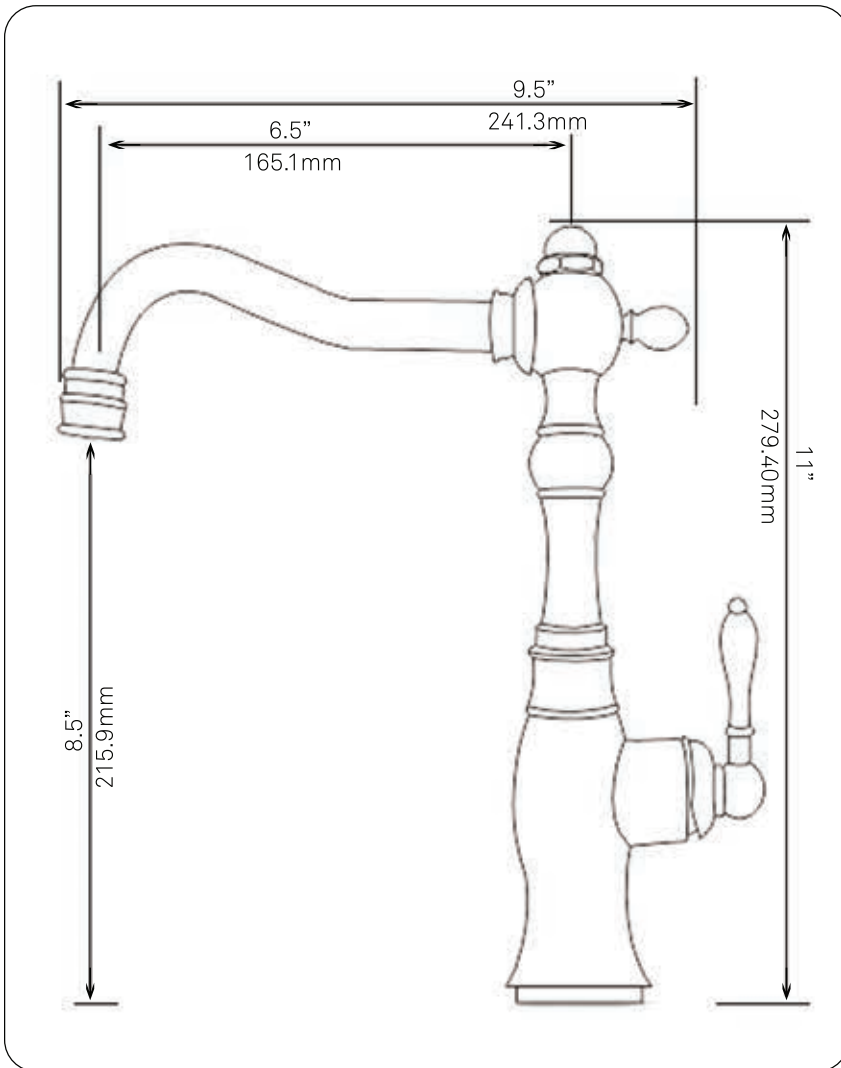
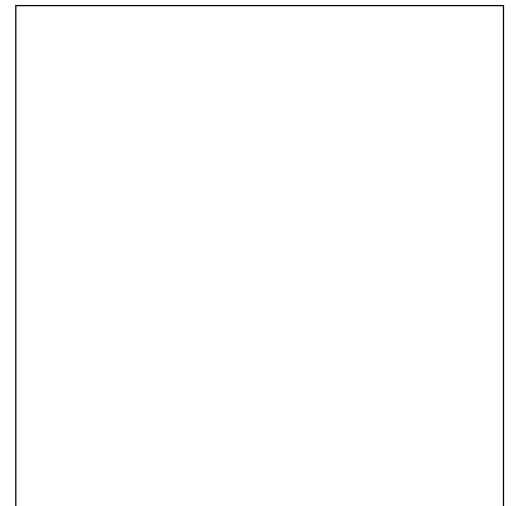
WARRANTY:

- Limited lifetime warranty
- See www.NovattoInc.com for details

COORDINATING ACCESSORIES:

- Glacier Ice Restoration and Sealer kit

NOTES



Dimensions are for reference only, see www.NovattoInc.com for finish options and product availability.

Novatto Inc
TOLL FREE 844.404.4242
www.NovattoInc.com