

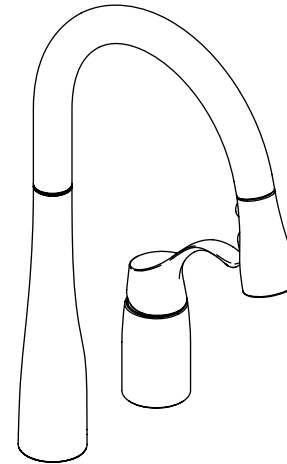
Features

- Metal construction
- One-piece, self-contained ceramic disc valve allows both volume and temperature control
- Temperature memory allows faucet to be turned on and off at any temperature setting
- High-temperature limit setting for added safety
- Remote valve
- ADA compliant remote lever handle
- Three-function sprayhead with spray, aerated stream, and pause settings
- Flexible supplies
- Available with an 8" (20.3 cm) or 9" (22.9 cm) spout reach
- 360° spout rotation
- Lower flow aerator options available (refer to the Kohler Price Book)
- 2.2 gallons (8.3 L) per minute maximum flow rate

PULL-DOWN KITCHEN SINK FAUCET

K-647
ALSO K-649

ADA



Codes/Standards Applicable

Specified model meets or exceeds the following at date of manufacture:

- ADA
- ASME A112.18.1/CSA B125.1
- ICC/ANSI A117.1
- Energy Policy Act of 1992
- NSF 61
- All applicable US Federal and State material regulations

Colors/Finishes

- CP: Polished Chrome
- VS: Stainless Steel
- Other: Refer to Price Book for additional colors/finishes

Specified Model

Model	Description	Colors/Finishes		
K-647	Pull-down kitchen sink faucet – 9" (22.9 cm) spout reach (shown)	<input type="checkbox"/> CP	<input type="checkbox"/> VS	<input type="checkbox"/> Other ____
K-649	Pull-down kitchen sink faucet – 8" (20.3 cm) spout reach	<input type="checkbox"/> CP	<input type="checkbox"/> VS	<input type="checkbox"/> Other ____

Product Specification

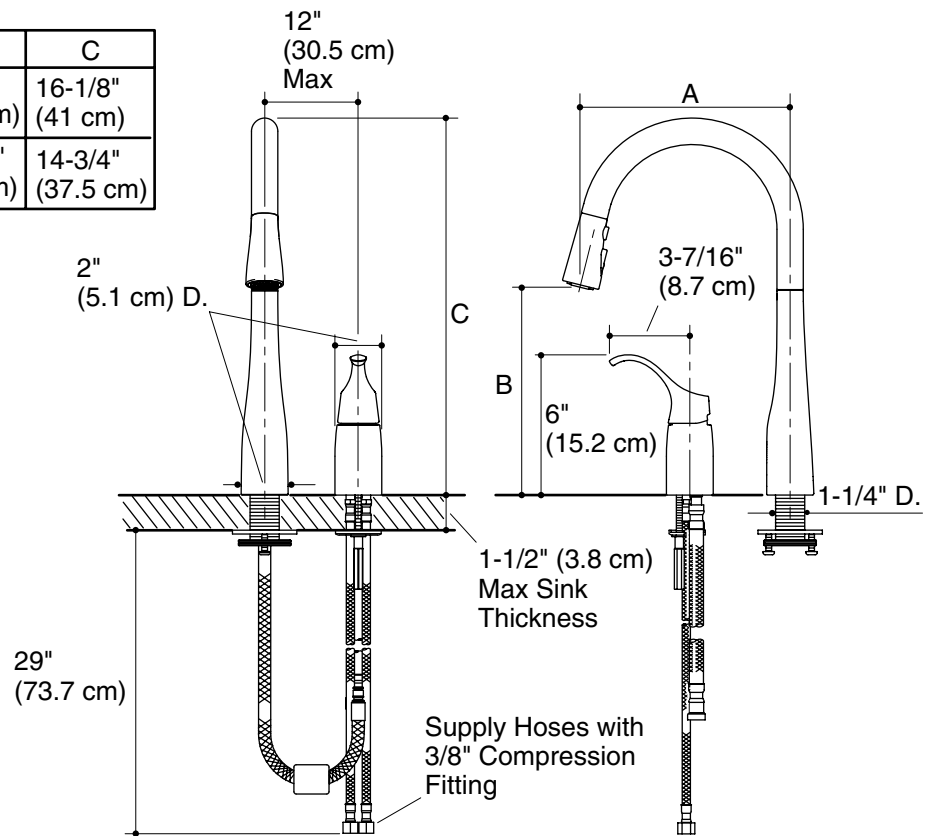
The pull-down kitchen sink faucet shall be of metal construction. Product shall have a maximum flow rate of 2.2 gallons (8.3 L) per minute with lower flow aerator options available (refer to the Kohler Price Book). Product shall feature a one-piece, self-contained ceramic disc valve, allowing volume and temperature control. Product shall feature temperature memory, allowing the faucet to be turned on and off at any temperature setting. Product shall feature a high-temperature limit setting for added safety, remote valve, ADA compliant remote lever handle, and 360° spout rotation. Product shall feature a three-function sprayhead with spray, aerated flow, and pause function. Product shall include flexible connections for easy installation. Product shall be available with an 8" (20.3 cm) or 9" (22.9 cm) spout reach. Pull-down kitchen faucet shall be Kohler Model K-____-____.

SIMPLICE™

Installation Notes

Install this product according to the installation guide.

Model	A	B	C
K-647	9" (22.9 cm)	8-7/8" (22.5 cm)	16-1/8" (41 cm)
K-649	8" (20.3 cm)	7-15/16" (20.2 cm)	14-3/4" (37.5 cm)



Product Diagram