

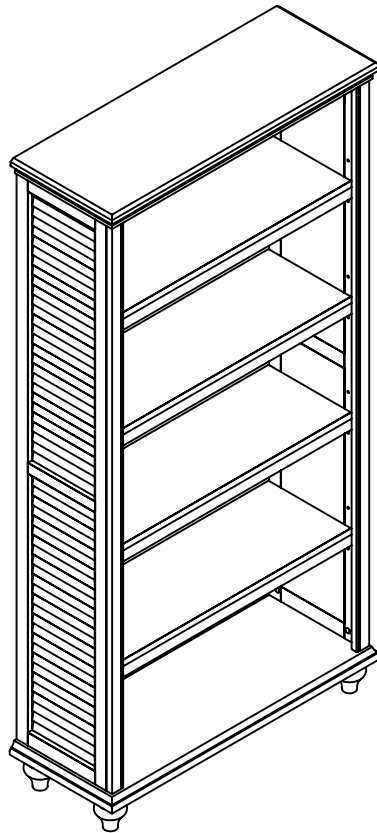
HOME DECORATORS COLLECTION

1002949500 1002949501
1002949503 1002949502

SK19027R2 HAMILTON 5 SHELF BOOKCASE 72"Hx36"Wx13.5"D

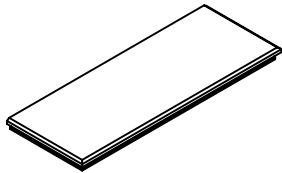
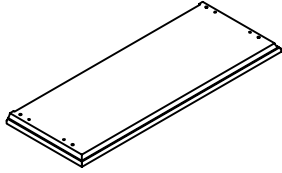
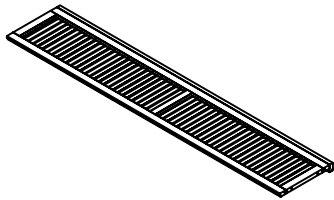
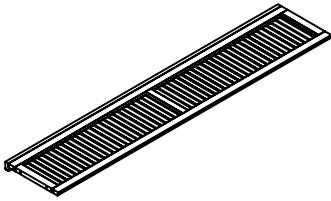
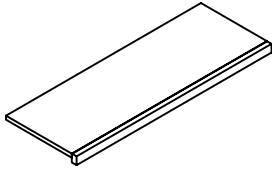
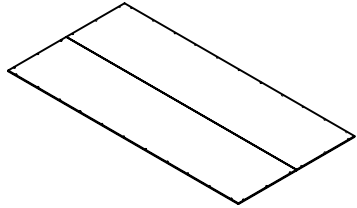

ASSEMBLY INSTRUCTIONS

Made In China



Thank you for purchasing this quality product. Be sure to check all packing material carefully for small parts, which may have come loose inside the carton during shipment. Count all parts and material hardware, then compare with parts list to be sure all parts are present. If any parts are missing or damaged, phone, fax, or mail to our Customer Service Department for efficient and speedy service. Please indicate the model number and code letter of part(s) needed.

IMPORTANT NOTE: Follow instructions listed below in proper sequence as numbered to assure fast, easy and correct assembly.

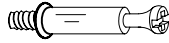
PARTS LIST		
A 	B 	C 
TOP PANEL-1PC	BOTTOM PANEL-1PC	LEFT SIDE PANEL-1PC
D 	E 	F 
RIGHT SIDE PANEL-1PC	ADJUSTABLE SHELF-4PCS	BACK PANEL-1PC
G 		
BALL FOOT-4PCS		

a



WOOD DOWEL-8PCS

b



CAM
LOCK BOLT-8PCS

c



CAM LOCK-8PCS

d



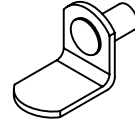
PLASTIC COVER-8PCS

e




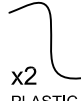
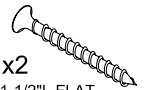


5/8"L ROUND HEAD
SCREW-34PCS

f

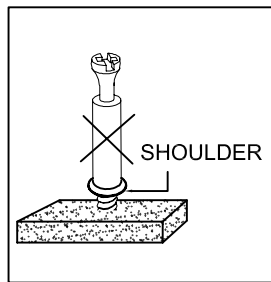
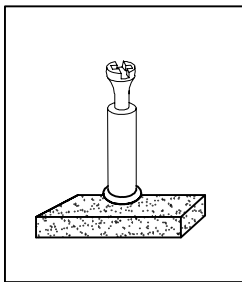


SHELF PIN-16PCS

1 	2 	3 	4 	5 
x4 RECTANGLE METAL PLATE	x2 1/2"L FLAT HEAD SCREW	x2 PLASTIC ANCHOR	x2 PLASTIC BAND	x2 1-1/2"L FLAT HEAD SCREW

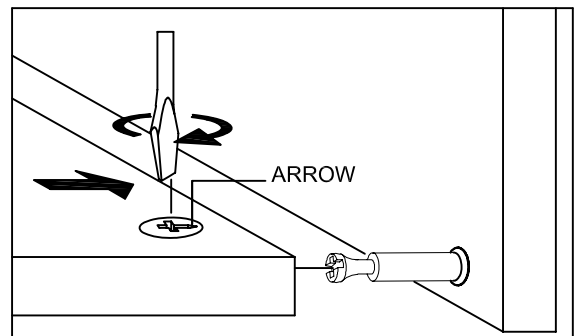
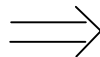
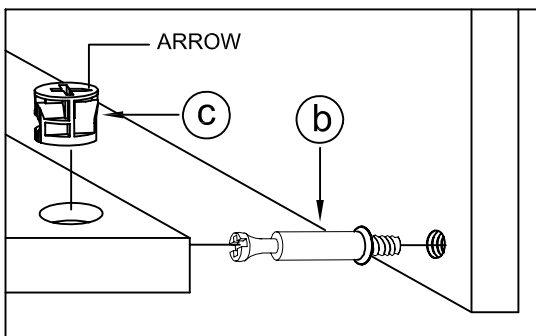
NOTE:THE SURFACE WITH THE STICKER IS THE BACK SIDE

NOTE: • UPON OPENING, THOROUGHLY CLEAN ALL WOOD SURFACES TO REMOVE DUST AND DIRT THAT MAY HAVE SETTLED ONTO THE FINISH DURING SHIPMENT. IN ORDER TO PREVENT DAMAGE DURING ASSEMBLY. PLEASE ASSEMBLE THIS ITEM WITH AT LEAST TWO PEOPLE.



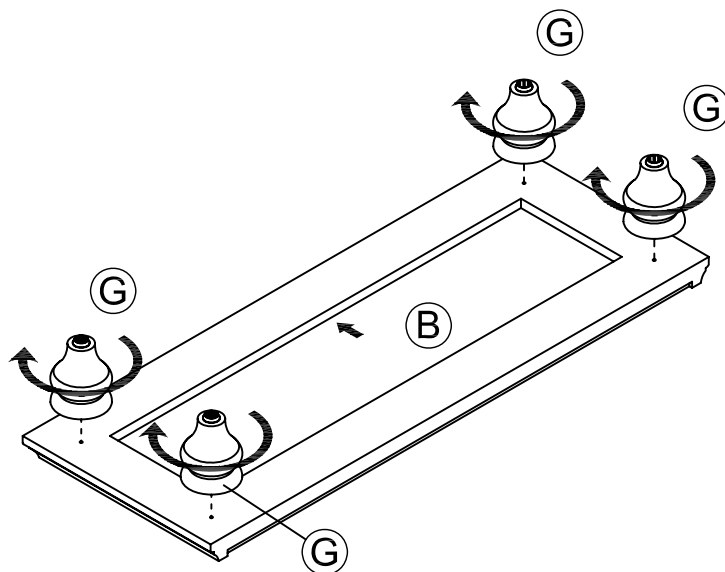
NOTE: TURN THE CAM-BOLT SCREWS UNTIL THEY ARE TIGHT, THE SHOULDER SHOULD BE AGAINST THE SURFACE OF THE PART.

HOW TO USE THE CAM-TOOL



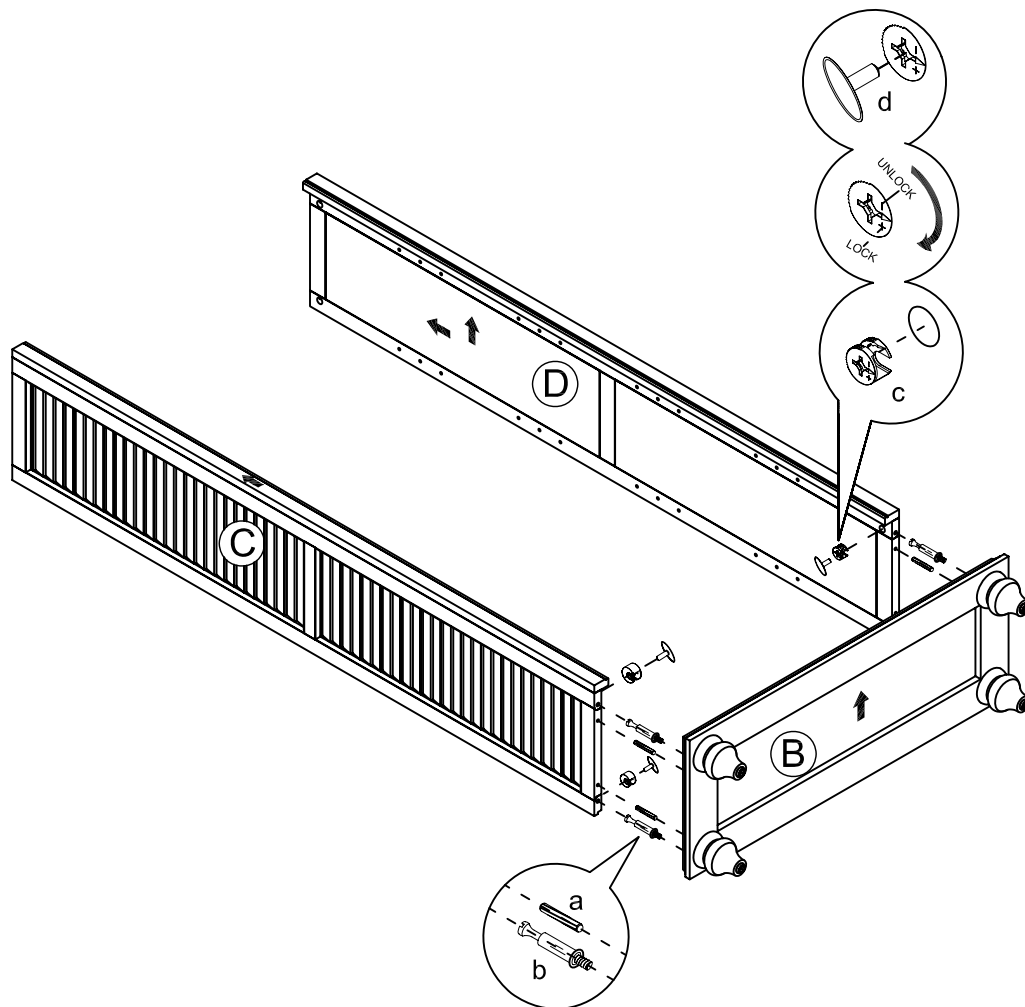
NOTE: • THE ARROWS ON THE HIDDEN CAM-LOCKS SHOULD POINT TO THE CAM-BOLTS.

FIG 1



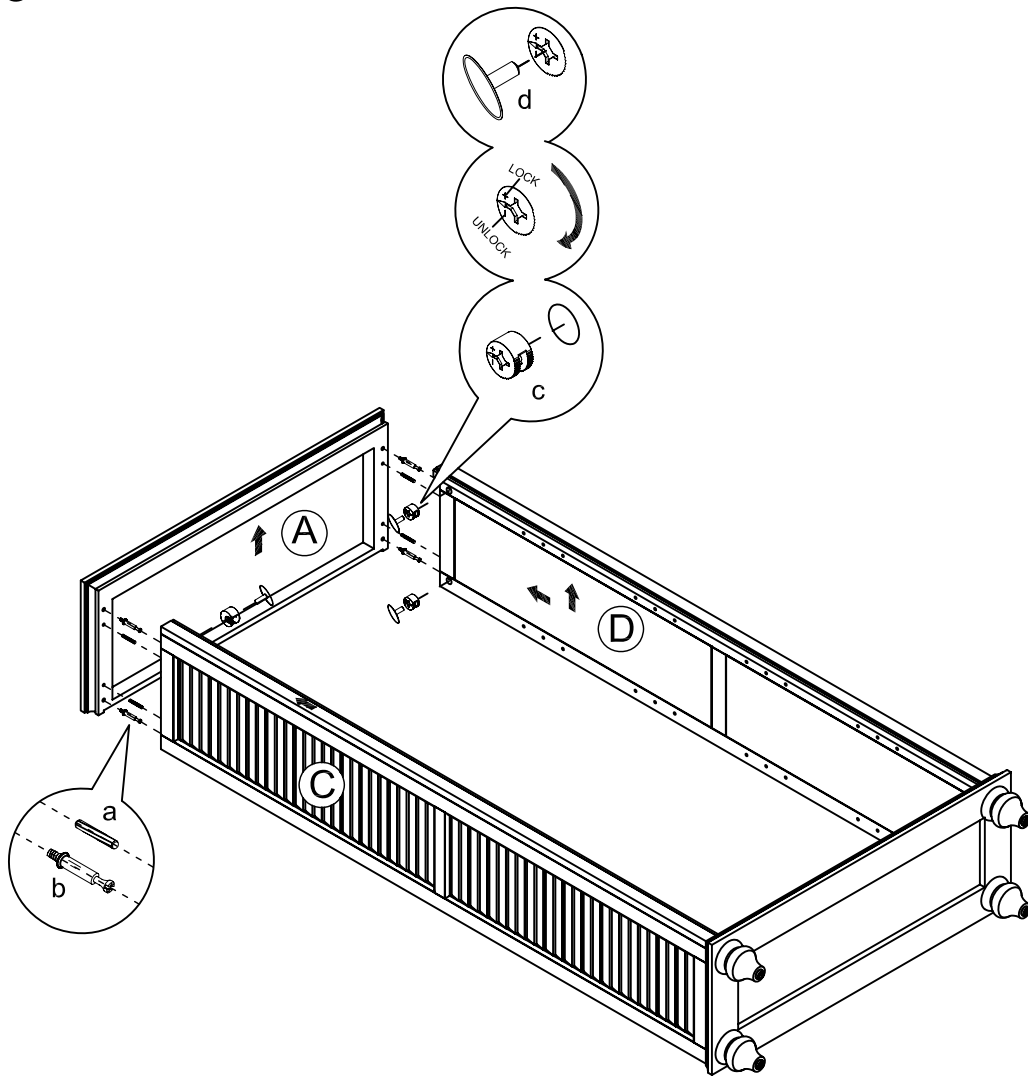
- TIGHTEN THE BALL FOOT (G) TO THE BOTTOM PANEL (B) AS SHOWN .

FIG 2



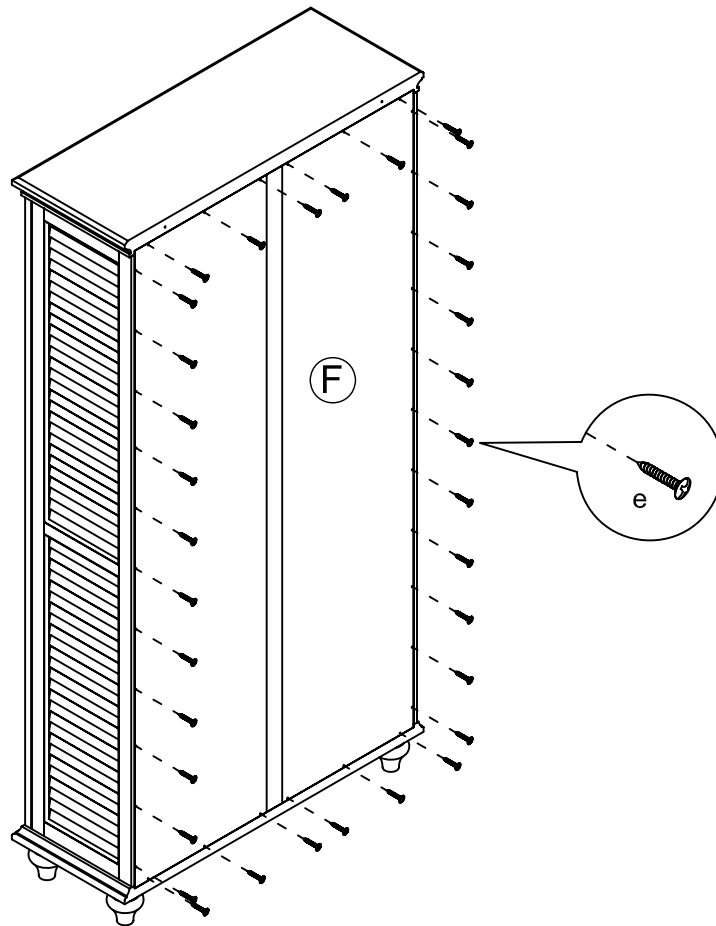
- INSTALL THE WOOD DOWEL (a) AND THE CAM LOCK BOLT (b) INTO THE BOTTOM PANEL (B).
- JOIN THE LEFT SIDE PANEL (C) AND THE RIGHT SIDE PANEL (D) TO THE BOTTOM PANEL (B) BY USING WOOD DOWEL (a) FIRST.
- TIGHTEN THE CAM LOCK BOLT (b) BY USING THE CAM LOCK (c) IN PRE-DRILLED HOLES.
- COVER THE CAM HOLES WITH PLASTIC COVER (d).

FIG 3



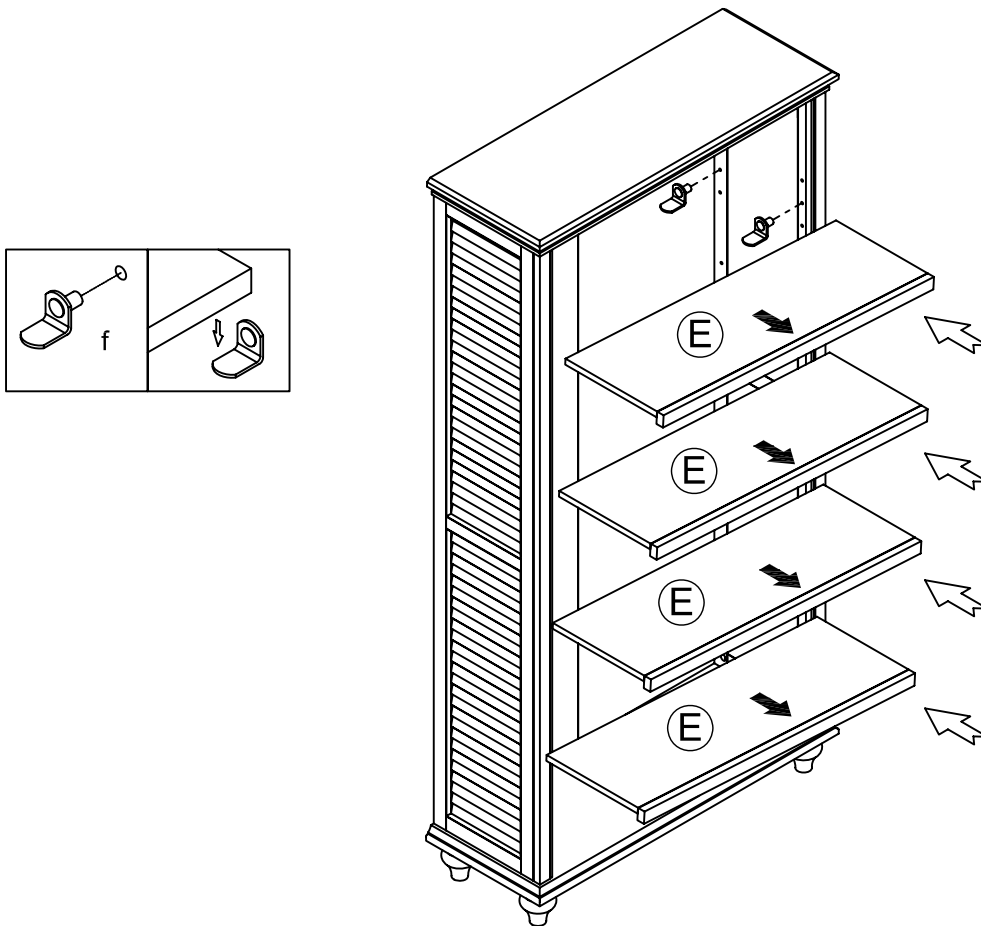
- INSTALL THE WOOD DOWEL (a) AND THE CAM LOCK BOLT (b) INTO THE TOP PANEL (A).
- JOIN THE TOP PANEL (A) TO THE ASSEMBLED PART BY USING WOOD DOWEL (a) FIRST.
- TIGHTEN THE CAM LOCK BOLT (b) BY USING THE CAM LOCK (c) IN PRE-DRILLED HOLES.
- COVER THE CAM HOLES WITH PLASTIC COVER (d).

FIG 4



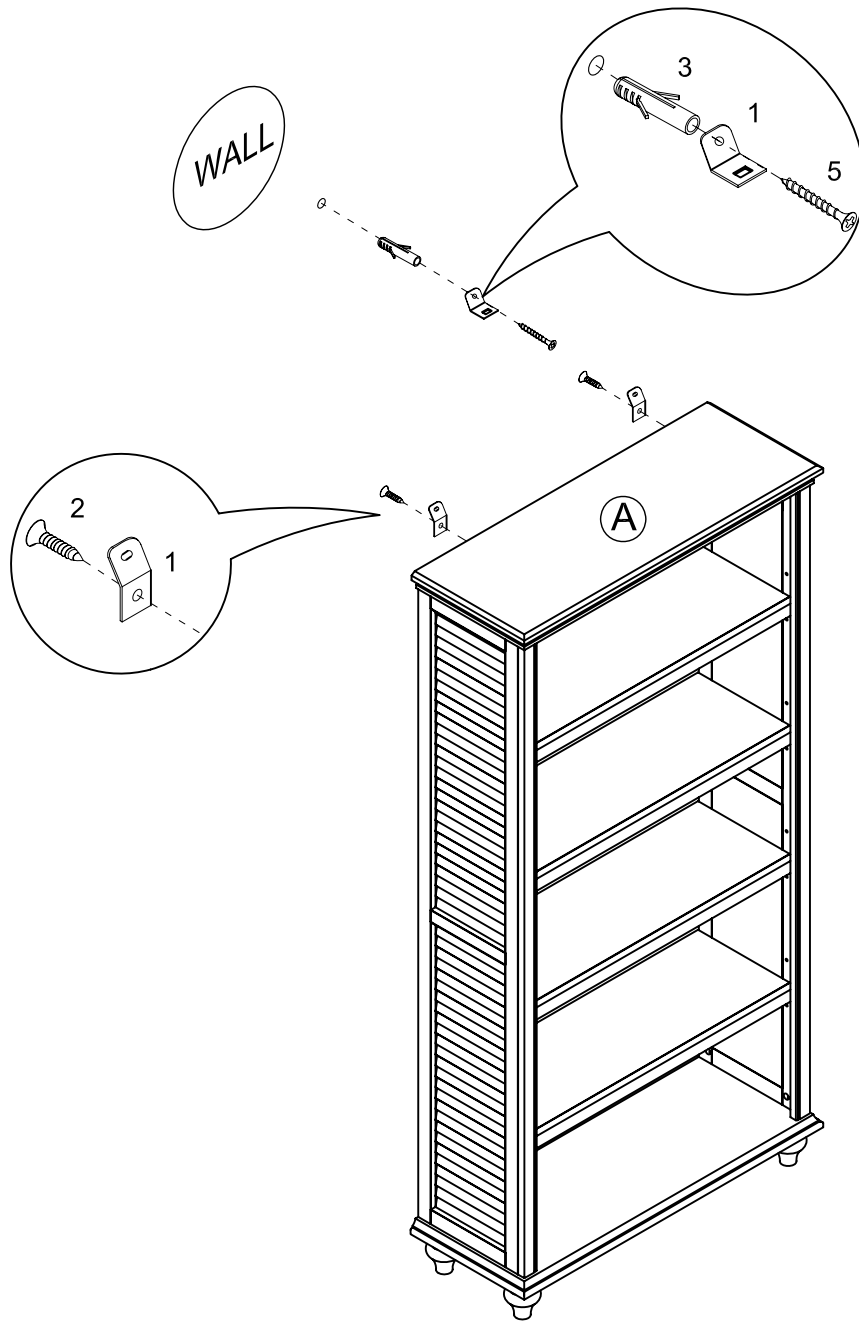
- TIGHTEN THE BACK PANEL (F) BY USING THE 5/8" L ROND HEAD SCREW (e) AS SHOWN.

FIG 5



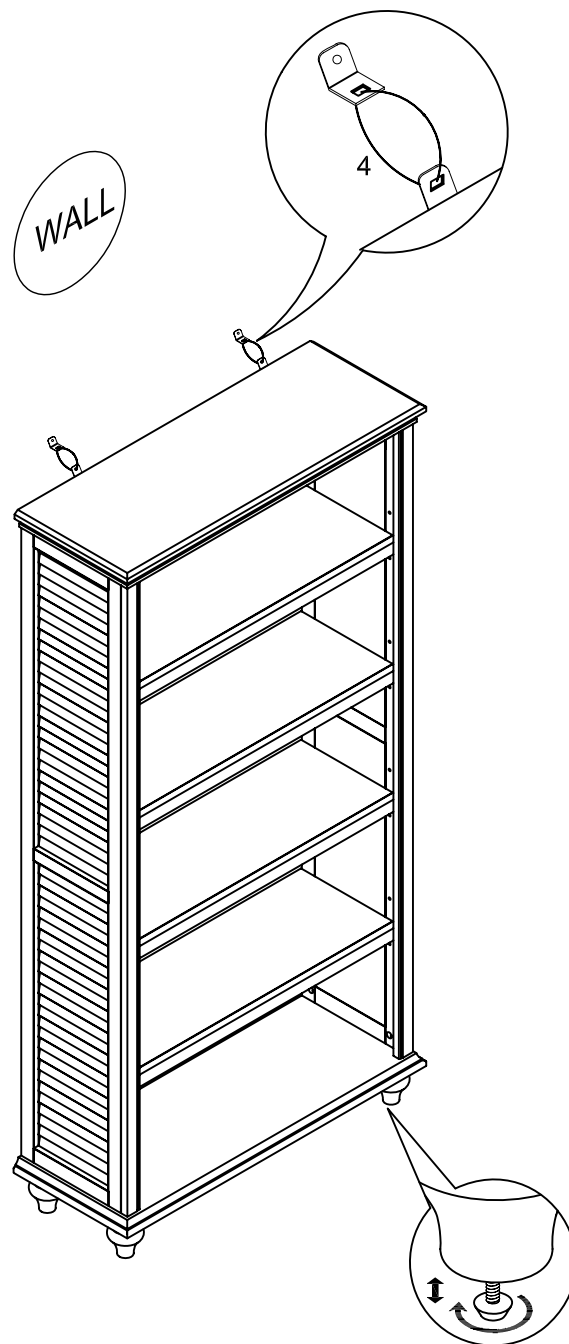
- INSERT THE SHELF PIN (f) IN THE DESIRED POSITION AND THEN PLACE THE ADJUSTABLE SHELF (E) ON THE PINS.

FIG 6



- TIGHTEN THE RECTANGLE METAL PLATE (1) TO THE REAR OF THE TOP PANEL (A) BY USING 1/2" FLAT HEAD SCREW (2).
- PLACE THE ASSEMBLED HAMILTON 5 SHELF BOOKCASE AT THE DESIRED POSITION. MARK THE INSERTION POINTS FOR THE PLASTIC ANCHOR (3).
- USING THE PROPER HARDWARE FOR YOUR WALL TYPE, DRILL 1/4" HOLES INTO THE WALL.
- TIGHTEN THE RECTANGLE METAL PLATE (1) TO THE PLASTIC ANCHOR (3) BY USING THE 1-1/2" FLAT HEAD SCREW (5).

FIG 7



- USING THE PLASTIC BAND (4) CONNECT TWO RECTANGLE METAL PLATES (1).