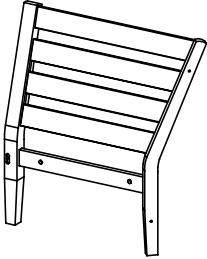
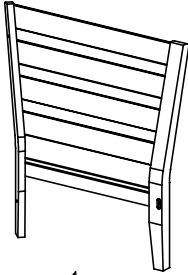
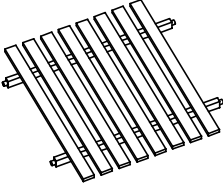
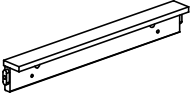




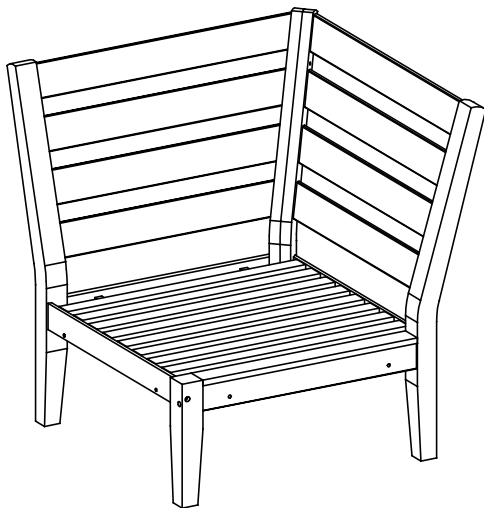


ASSEMBLY INSTRUCTIONS

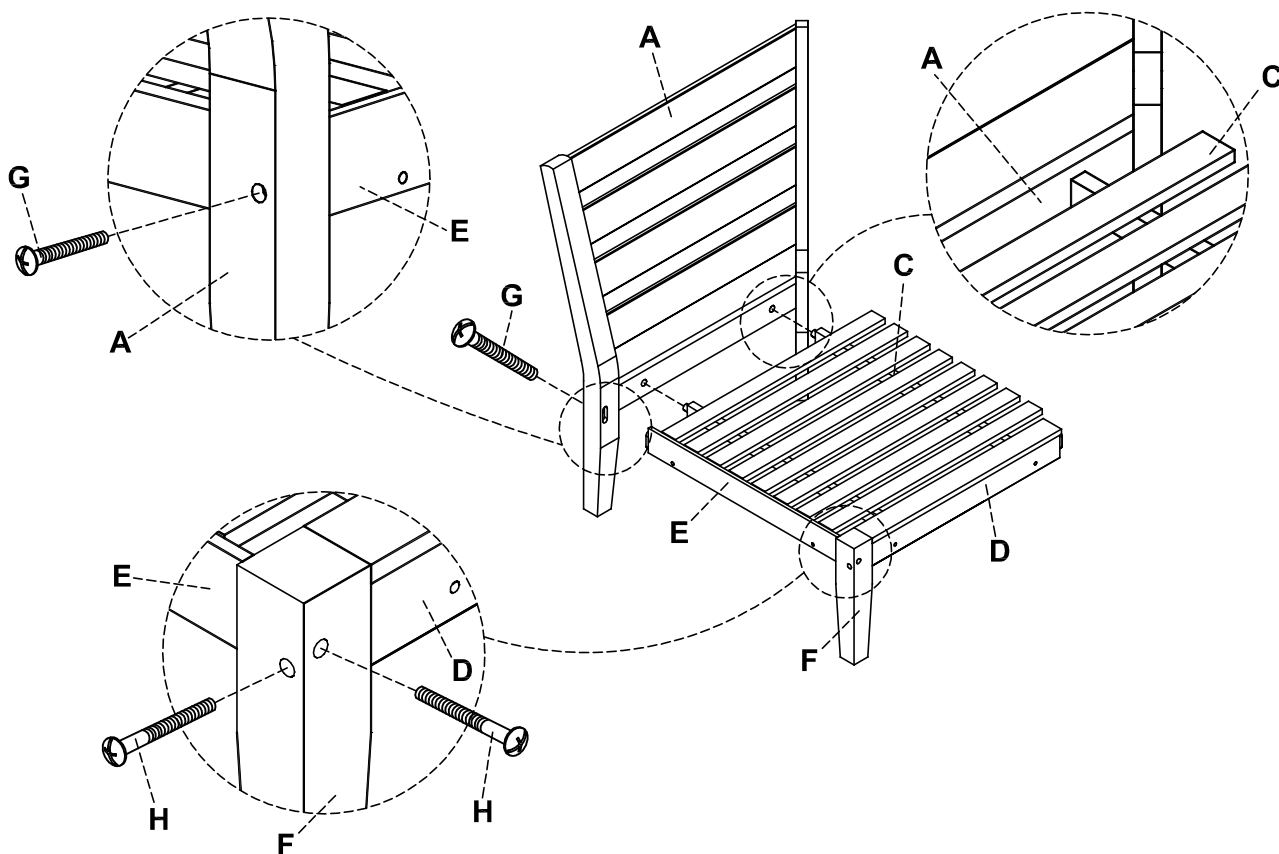
E011CR(3A) WOODEN CORNER CHAIR

A Right side frame	B Left side frame	C Seat	D Left apron
			
1pc	1pc	1pc	1pc
E Right apron	F Leg	G 2" Bolt	H 2 1/4" Bolt
			
1pc	1pc	4pcs + 1pc reserve	4pcs + 1pc reserve

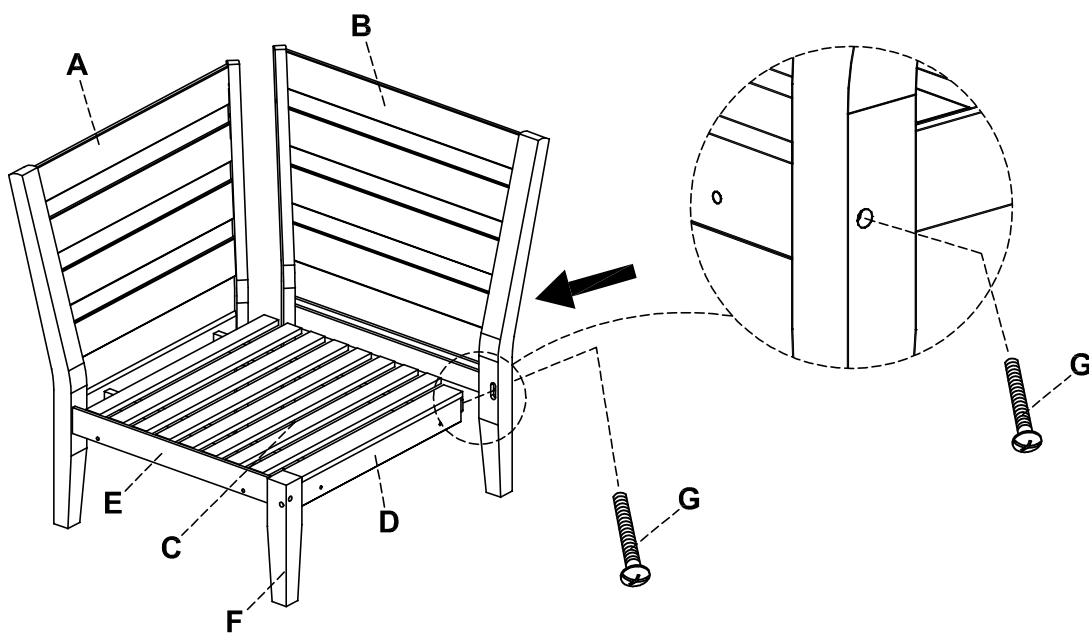


This page lists all the contents included in the box. Please take time to identify the hardware as well as the individual components to this product. As you unpack and prepare for assembly, place the contents on a carpeted or padded area to protect them from damage.

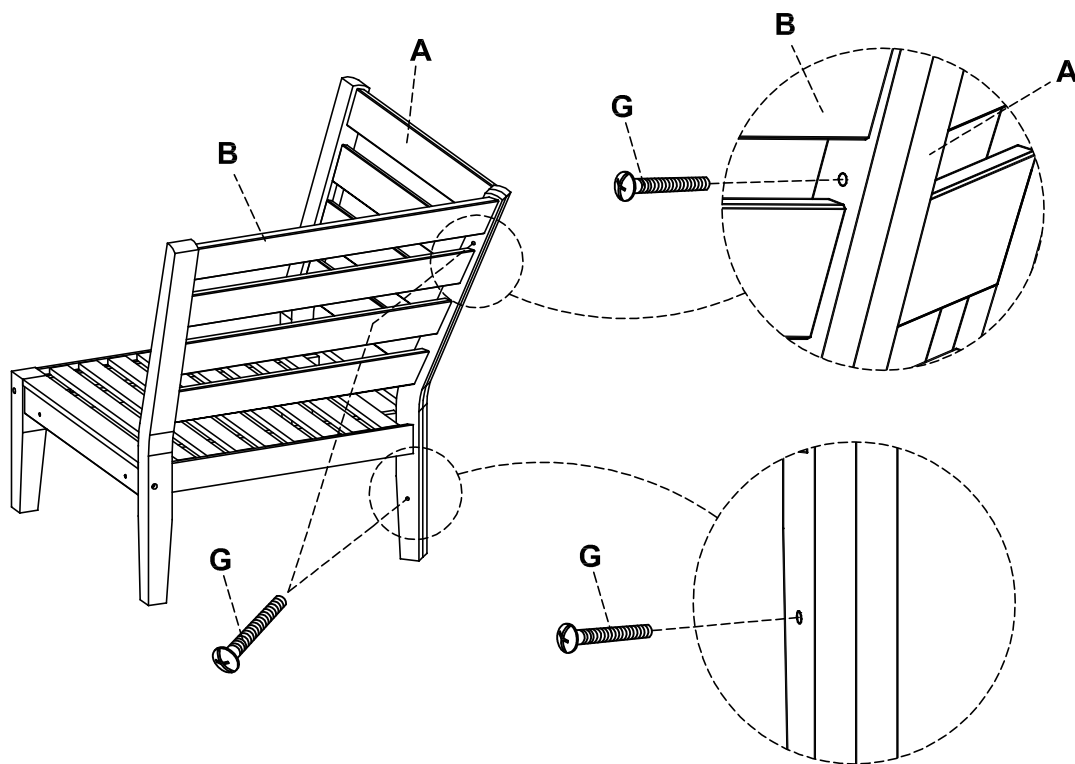
1 Attach the right apron(E) and left apron(D) to the leg(F). Secure using 2 1/4" bolts(H) ,with screwdriver (not provided). Put the seat(C) to left apron(D), and then attach right side frame(A) into the assembly to the matching holes, secure using 2" bolt(G) to left side frame(B), with screwdriver (not provided), position as shown. Don't fully tighten at this step.



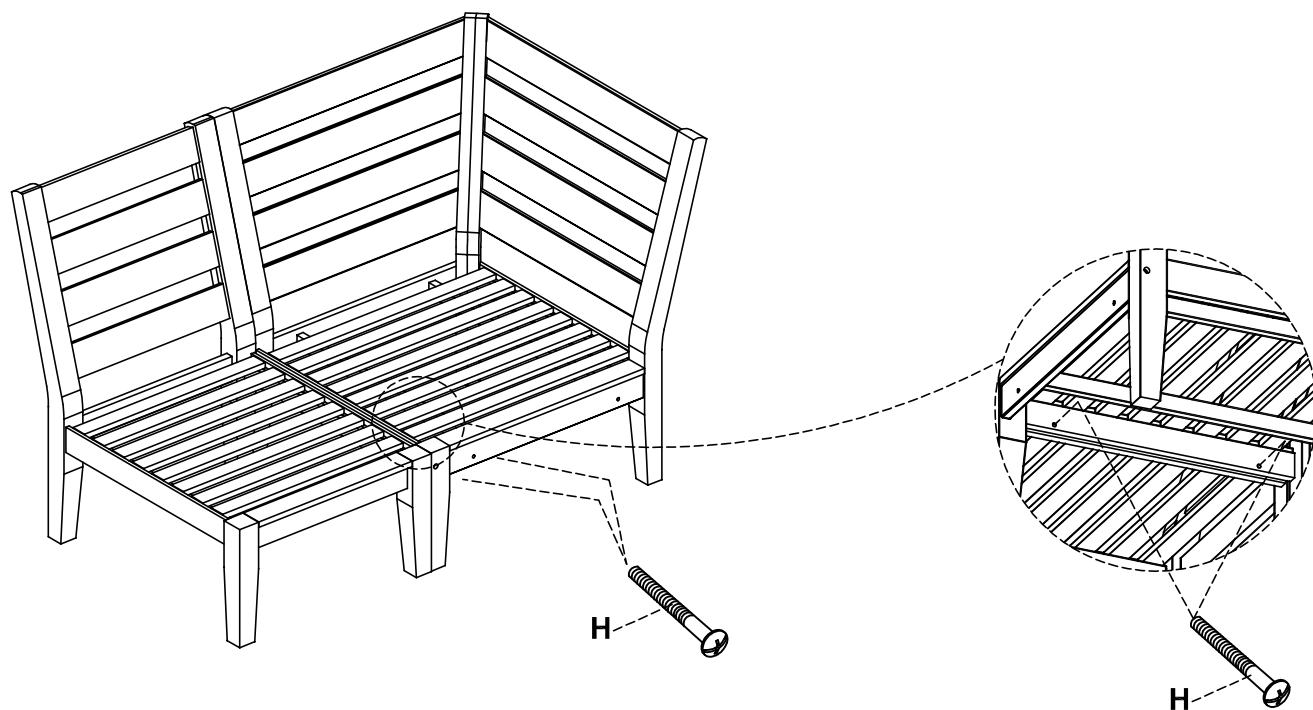
2 Attach the left side frame(B) into the pre assembly from step 1 to the matching hole, secure using 2" bolt(G) with screwdriver (not provide), position as shown. Don't fully tighten at this step.



3 Insert bolts(G) with screwdriver (not provided). Note : To connect the right and left side frame(A&B). Tighten all bolts using screwdriver (not provided).



4 To joining with the other chair, secure using 2 1/4" bolts(H) with screwdriver (not provided) from underneath of seat.



Cleaning & Care

Treat surface with care. Surface is resistant to scratches but is not scratch resistant. Clean surfaces with a dry or damp soft cloth. Do not use abrasive cleaners. Hardware may loosen over time. Periodically check that all connections are tight.