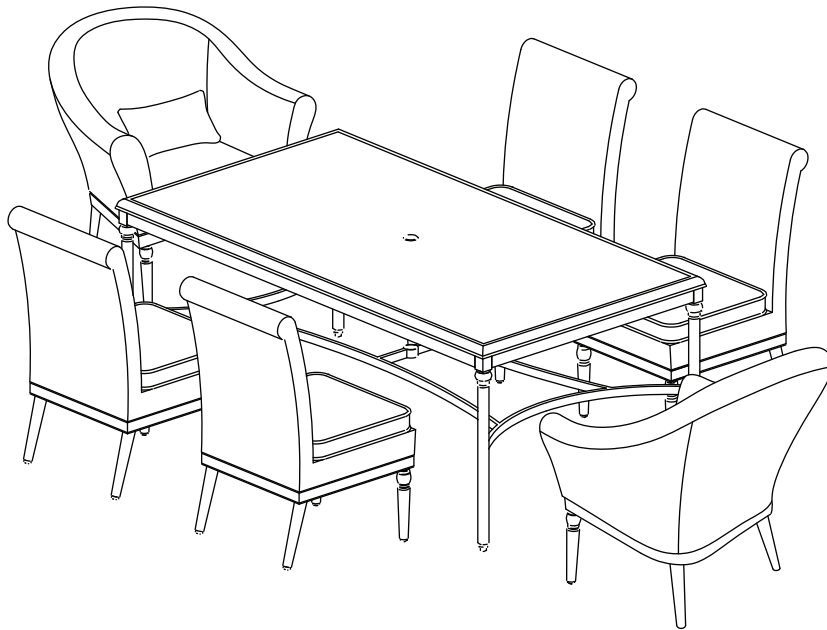


**HOME
DECORATORS
COLLECTION**

Item # 1002 636 345, 1002 636 347
1002 636 346
1002 647 428, 1002 647 427
1002 647 426
Model # FRA80866VCWST
FRA80866SCWST

USE AND CARE GUIDE

CAMDEN 7-PIECE DINING SET



Questions, problems, missing parts? Before returning to the store,
call Home Decorators Collection Customer Service.
8 a.m. - 7 p.m., EST, Monday - Friday, 9 a.m. - 6 p.m., EST, Saturday

1-800-986-3460

HOMEDEPOT.COM/HOMEDECORATORS

THANK YOU

We appreciate the trust and confidence you have placed in Home Decorators Collection through the purchase of this dining set. We strive to continually create quality products designed to enhance your home. Visit us online to see our full line of products available for your home improvement needs. Thank you for choosing Home Decorators Collection!

Table of Contents


Table of Contents.....	2	Pre-Assembly	3
Safety Information	2	Planning Assembly	3
Product Caution	2	Hardware Included	3
Safety Warnings	2	Parson Chair Package Contents	4
Warranty	2	Captain Chair Package Contents.....	5
What is Covered	2	Table Package Contents	6
What is Not Covered	2	Parson Chair Assembly	7
		Captain Chair Assembly	9
		Table Assembly	11
		Care and Cleaning	13


Safety Information


PRODUCT CAUTION


This dining set was made for the explicit purpose of providing outdoor functions and is not to be used as a toy. This product is intended for normal outdoor use; however, the manufacturer recommends storing and / or covering this dining set when any formidable / severe weather is approaching. Do not locate this product near open flames. Do not use this product as a support. Do not shake, lean or climb on the product. Children under the age of 10, near the product, should be supervised by a competent adult at all times. This product is NOT intended for commercial use and will void the warranty.

SAFETY WARNINGS

 **WARNING:** Please keep children out of the assembly area before assembly.

 **WARNING:** This dining set unit is heavy, and may require two adults for safe assembly.

 **WARNING:** Weight limit for the chaise is 250 lbs (113.39 kg).

 **CAUTION:** Do not locate the product near any heat source.

Warranty

5 YEAR FRAME, FABRIC AND WEAVE LIMITED WARRANTY

WHAT IS COVERED

We warrant the frame, fabric and weave to be free of manufacturing defects to the original purchaser for five years.

WHAT IS NOT COVERED

It remains the customer's responsibility for freight and packaging charges to and from our service center. This warranty does not cover commercial use, hardware, acts of nature, fire, freezing and abusive use. In addition, purchased parts are not covered under this warranty. We reserve the right to make substitutions with similar merchandise, if the model in question is no longer in production.

Contact the Customer Service Team at 1-800-986-3460 or visit www.homedepot.com/homedecorators.

Pre-Assembly

PLANNING ASSEMBLY

Read all instructions before assembly.

To avoid damaging this product, assemble it on a soft, non-abrasive surface such as carpet or cardboard.

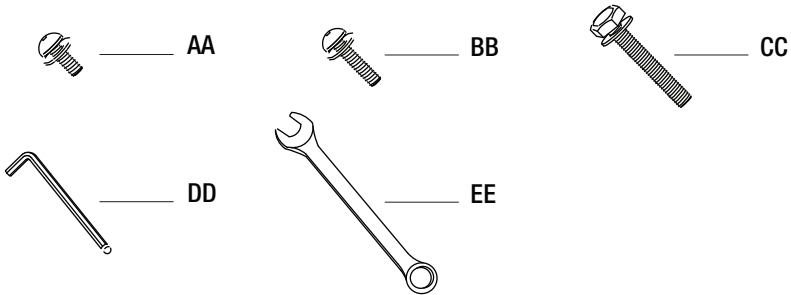


NOTE: More than one person may be required to assemble this product.

HARDWARE INCLUDED



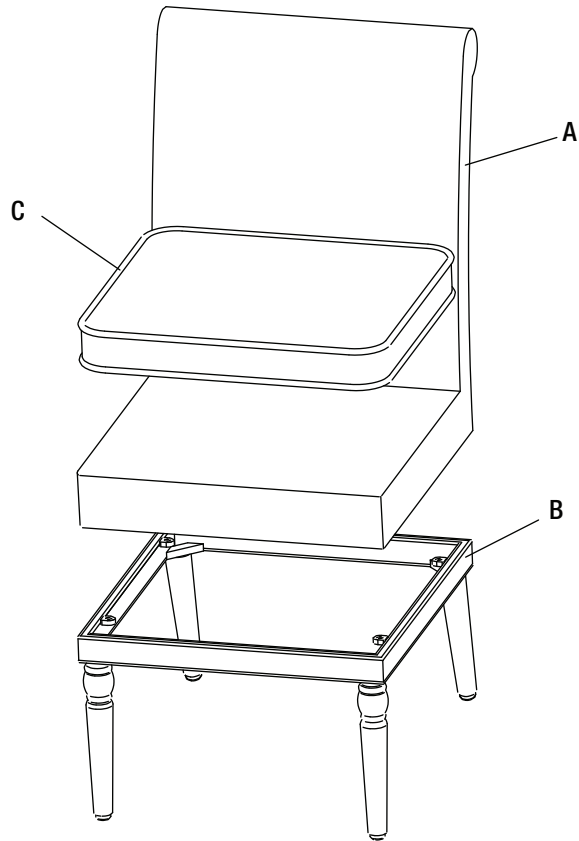
NOTE: Hardware not shown to actual size.



Part	Description	Quantity
AA	M6x15 combination bolt	8+1
BB	M6x25 combination bolt	22+2
CC	M8x40 combination bolt	8+1
DD	Hex wrench	4
EE	Wrench	1

Pre-Assembly (continued)

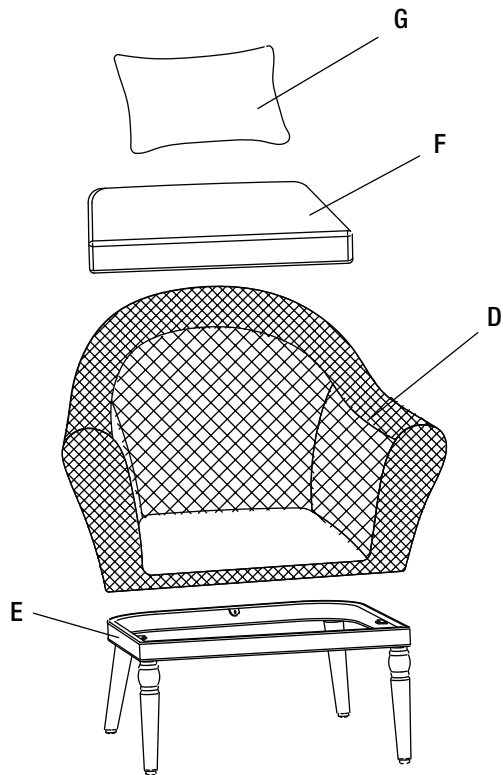
PARSON CHAIR PACKAGE CONTENTS



Part	Description	Quantity
A	Parson chair seat	4
B	Parson chair base	4
C	Parson chair seat cushion	4

Pre-Assembly (continued)

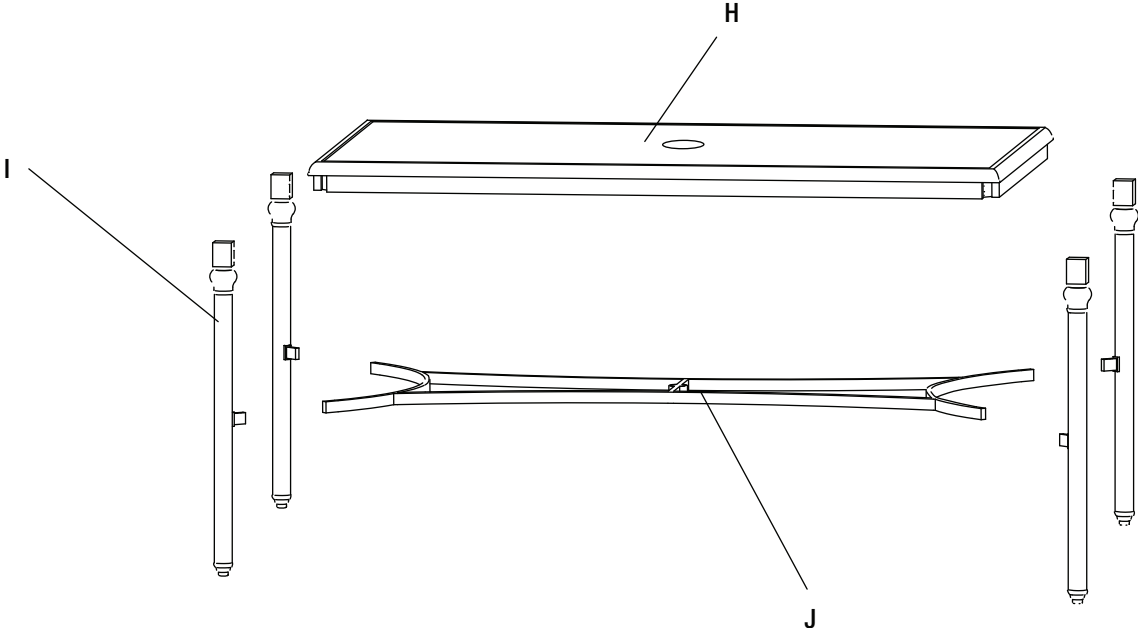
CAPTAIN CHAIR PACKAGE CONTENTS



Part	Description	Quantity
D	Captain chair seat	2
E	Captain chair base	2
F	Captain chair seat cushion	2
G	Accent pillow	2

Pre-Assembly (continued)

TABLE PACKAGE CONTENTS

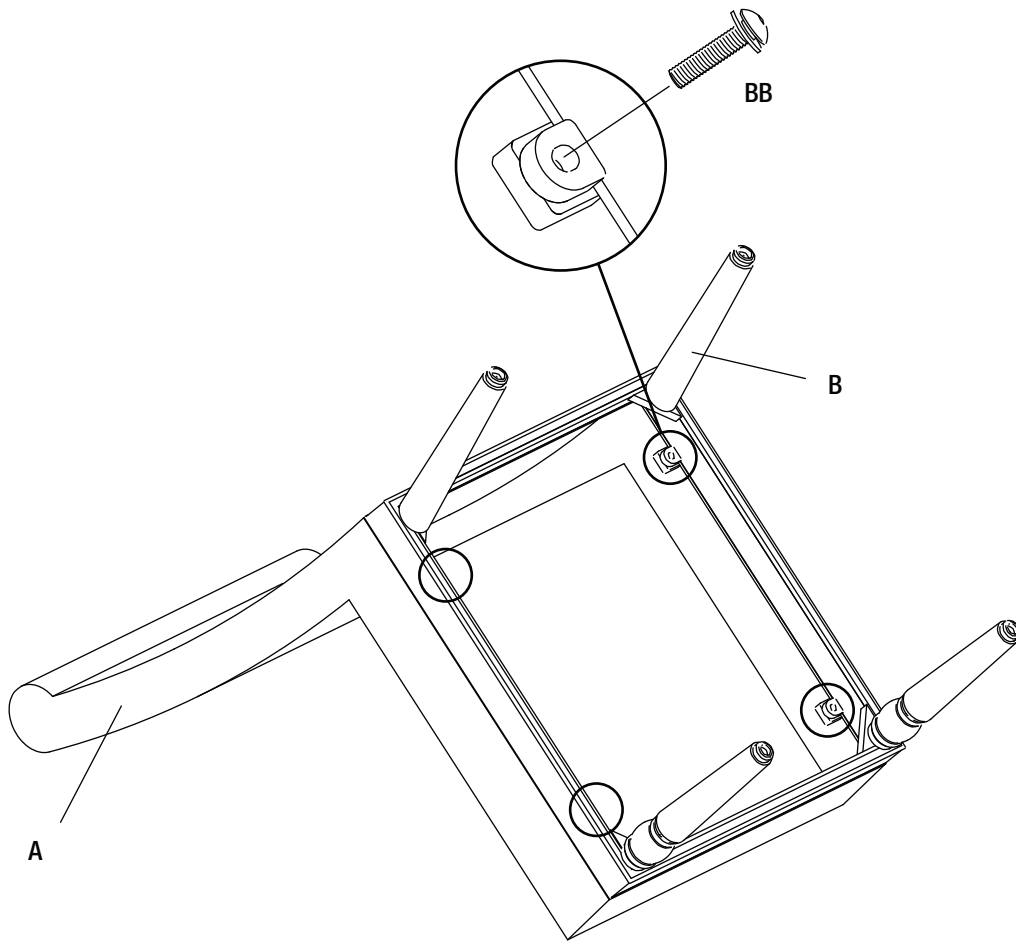


Part	Description	Quantity
H	Table top	1
I	Table leg	4
J	Leg connector	1

Parson Chair Assembly

1 CONNECTING THE PARSON CHAIR BASE TO THE PARSON CHAIR SEAT

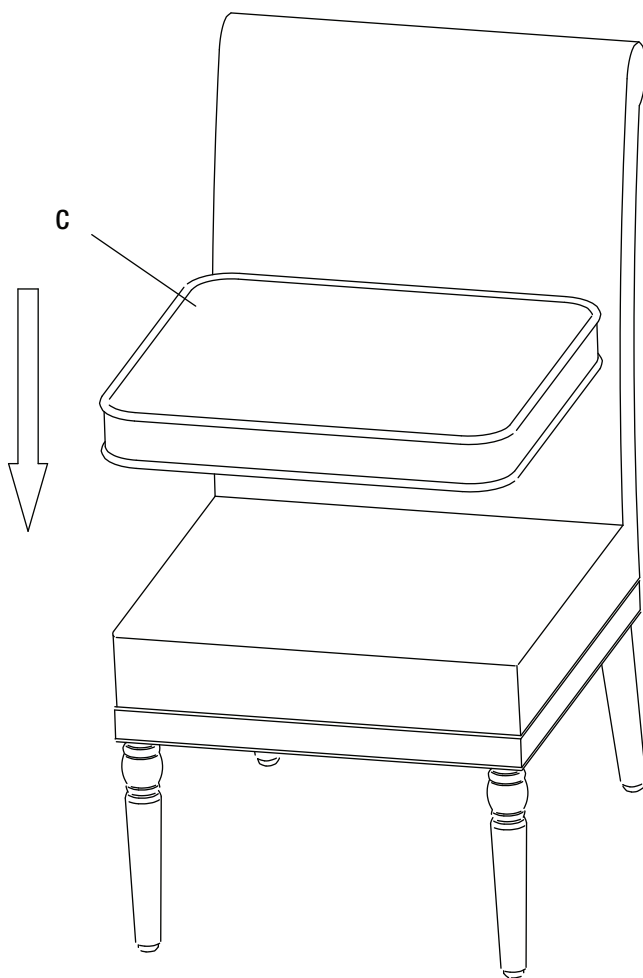
- Turn the parson chair seat upside down on a soft surface.
- Attach the parson chair base (B) to the parson chair seat (A) using M6x25 combination bolts (BB).
- Once all of the bolts are in place, fully tighten the bolts using the hex wrench (DD).



Parson Chair Assembly (continued)

2 CHECKING THE CHAIR

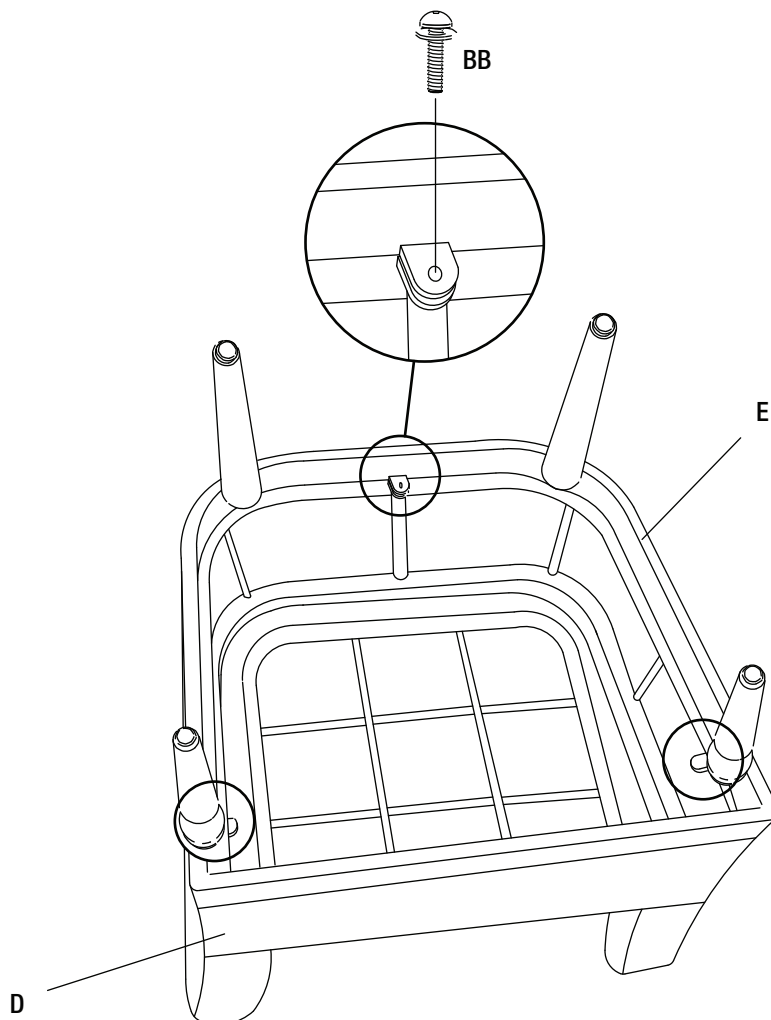
- Turn the chair right side up.
- Placing the parson chair seat cushion (C) to finish the assembly of the parson chair.
- Ensure all connections are secure before use.



Captain Chair Assembly

1 CONNECTING THE CAPTAIN CHAIR BASE TO THE CAPTAIN CHAIR SEAT

- Place the captain chair seat (D) upside down on a soft surface.
- Attach the captain chair base (E) to the captain chair seat (D) using M6x25 combination bolts (BB).
- Once all of the bolts are in place, fully tighten the bolts using the hex wrench (DD).



Captain Chair Assembly (continued)

2 CHECKING THE CHAIR

- Turn the chair right side up.
- Place the captain chair seat cushion (F) and the accent pillow (G) to finish the assembly of the chair.
- Ensure all connections are secure before use.

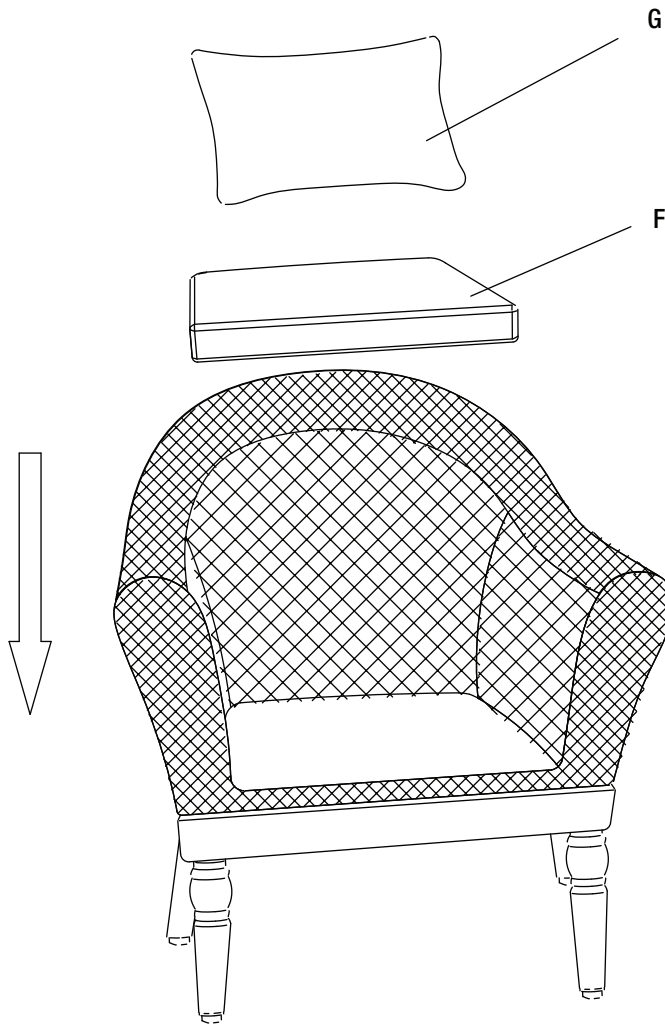


Table Assembly

1 ATTACHING THE LEG CONNECTOR TO THE TABLE LEGS

- Attach the leg connector (J) to the table legs (I) using M6x15 combination bolts (AA).
- Do not fully tighten all the bolts at this step.

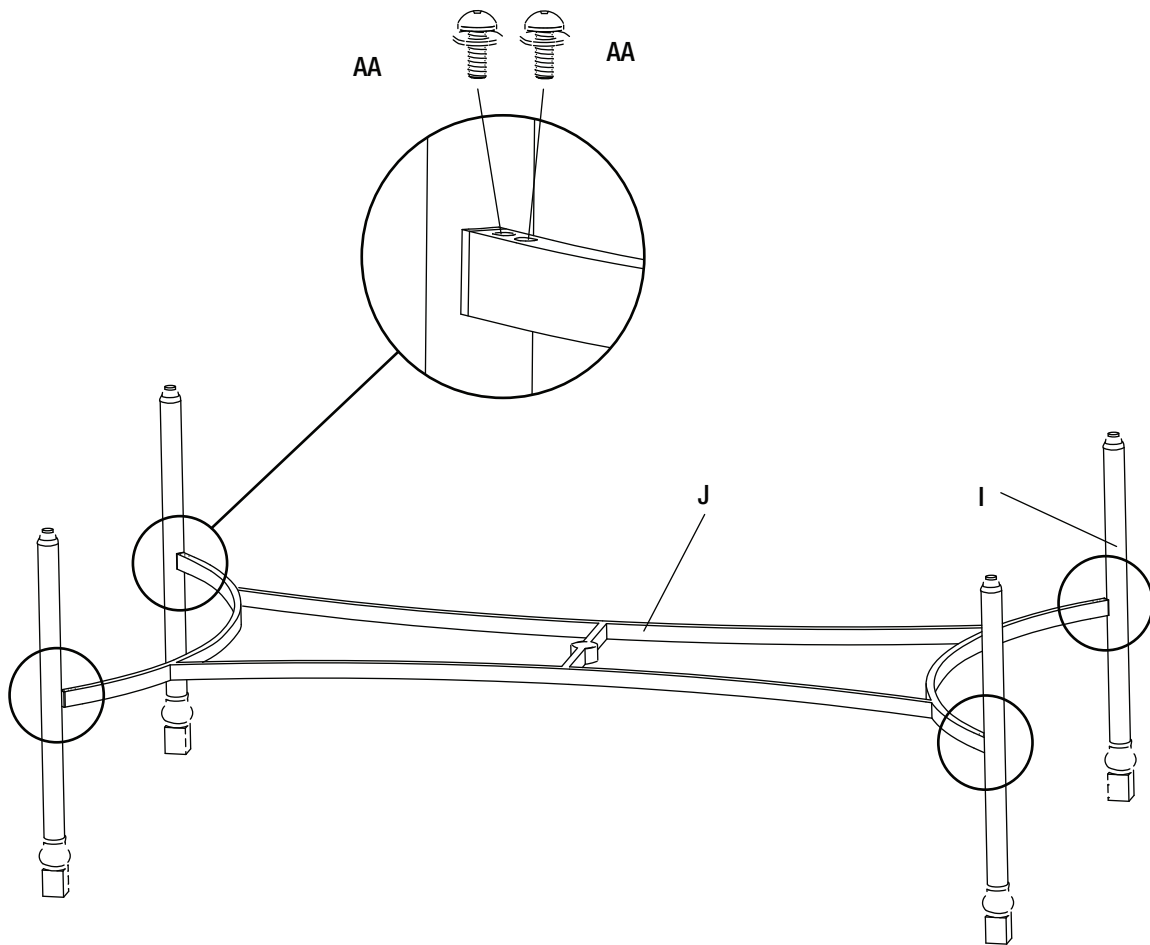


Table Assembly (continued)

2 ATTACHING THE TABLE LEGS TO THE TABLE TOP

- Place the table top (H) upside down on a soft surface.
- Attach the four table legs (I) to the table top (H) using M8x40 combination bolts (CC).
- Once all of the bolts are in place, fully tighten the bolts using the hex wrench (DD) and the wrench (EE).

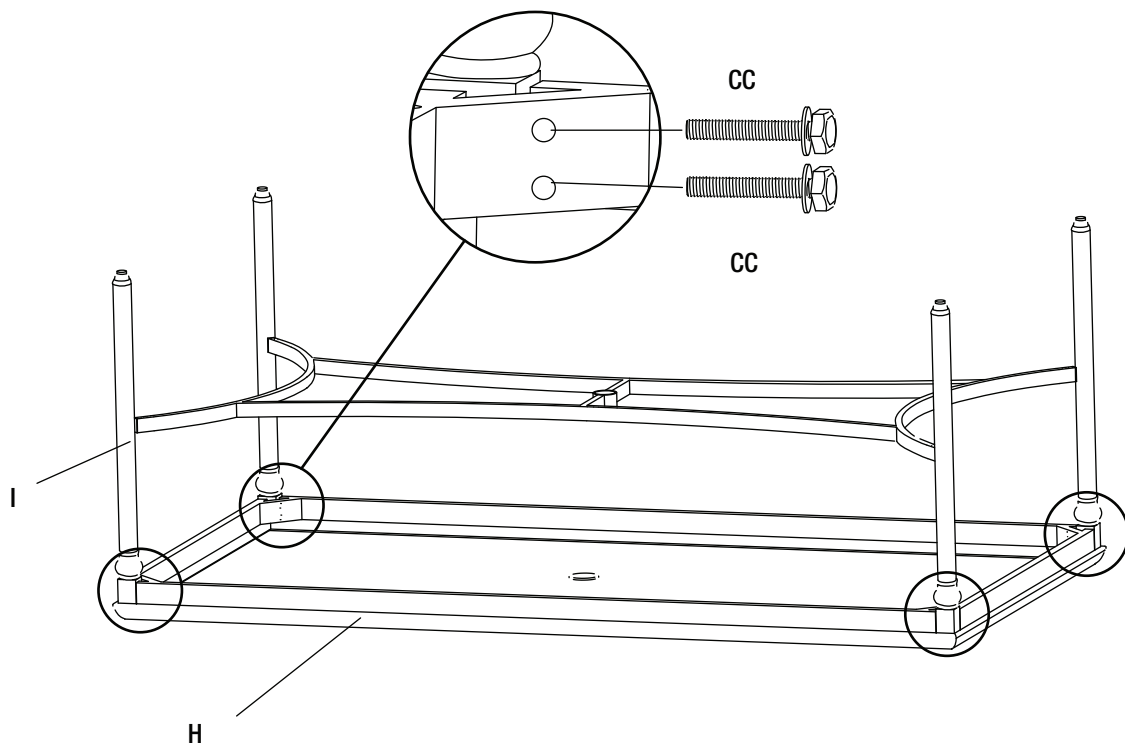
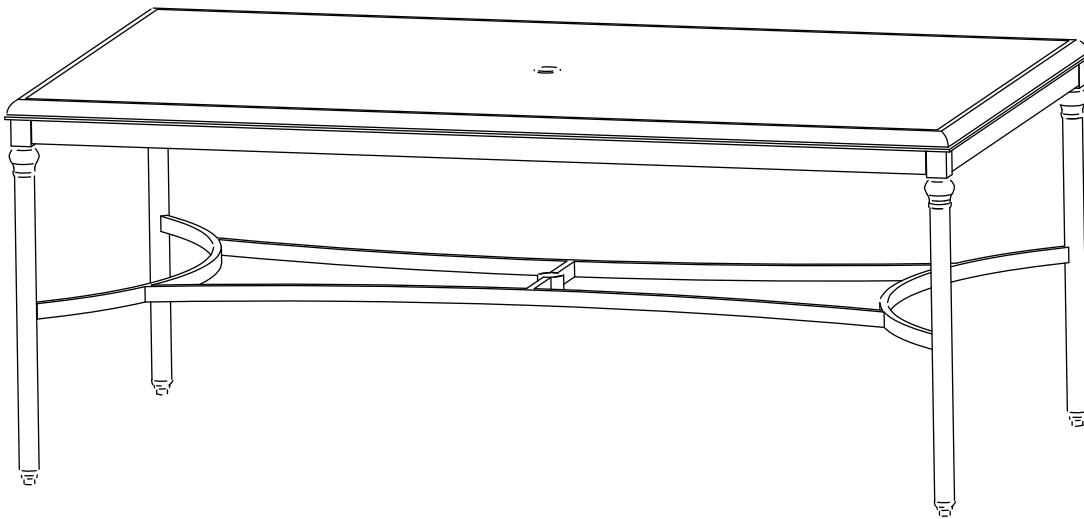


Table Assembly (continued)

3 CHECKING THE TABLE

- Turn the table right side up.
- Ensure all connections are secure before use.



Care and Cleaning

- For best results, clean the dining set with a damp cloth and dry thoroughly. This will help prevent mildew by removing dirt particles that may accumulate.
- Do not clean with abrasive materials, bleach, or solvents.
- Store the dining set in a dry, sheltered place when not in use.
- Keep the dining set away from fire, extreme heat, freezing conditions, and inclement weather such as rain, hail, sleet, snow, or wind.

HOME DECORATORS COLLECTION

Questions, problems, missing parts? Before returning to the store,
call Home Decorators Collection Customer Service.
8 a.m. - 7 p.m., EST, Monday - Friday, 9 a.m. - 6 p.m., EST, Saturday

1-800-986-3460

[HOMEDEPOT.COM/HOMEDECORATORS](https://www.homedepot.com/homedecorators)

Retain this manual for future use.