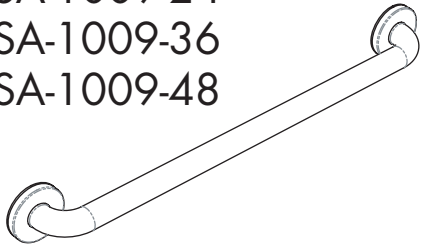
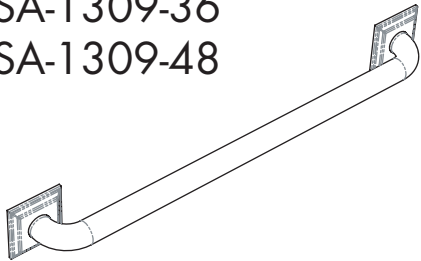


INSTRUCTIONS FOR MODELS:

SA-1009-24
SA-1009-36
SA-1009-48




SA-1309-24
SA-1309-36
SA-1309-48



NEED HELP?

For additional assistance or service please contact:

SPEAKMAN® Company
400 Anchor Mill Road
New Castle, DE 19720

 800-537-2107

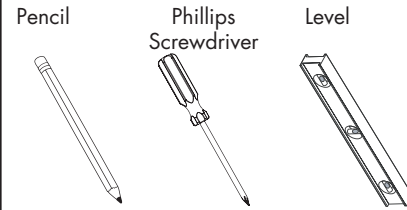
 customerservice@speakmancompany.com

 www.speakmancompany.com

92-SA-1009-R1

TOOLS AND SUPPLIES

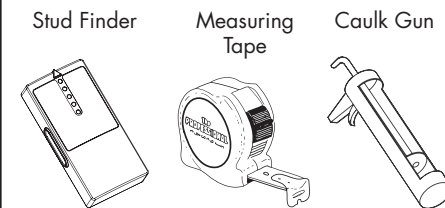
REQUIRED



IF MOUNTING THRU TILE



HELPFUL





Safety Glasses




IMPORTANT

- Be sure to read instructions thoroughly before beginning installation. Do not overtighten any connections or damage may occur. This Grab Bar meets ADA requirements when installed properly.

 **WARNING:** Risk of personal injury. The wall plates on the grab bar must be mounted to the brace between the wall studs. Doing so will ensure that the weight of the user is adequately supported.

 **CAUTION:** Risk of property damage. For installation to ceramic tile: Apply light, even pressure to avoid cracking the tile. Use a 3/16" or #12 drill bit to drill through the tile. Do not drill into the bracing.

 **WARNING:** Risk of property damage. For installation to ceramic tile: Apply silicone sealant into the drilled holes before securing the wall plates to the finished surface. This will reduce the risk of water damage behind the finished surface.

- This product is considered ADA compliant when located and mounted into a structural support per ADA guidelines. Refer to ADA guidelines before installing this product.
- Before installing finished wall material, install wall bracing between the wall studs where the wall plates will be mounted.
- The appearance of your product may differ from the illustration. The installation instructions still apply.
- Observe all local plumbing codes and building codes.

SAFETY TIPS

Cover your drain to prevent loss of parts. Be sure to wear eye protection while drilling thru tile.

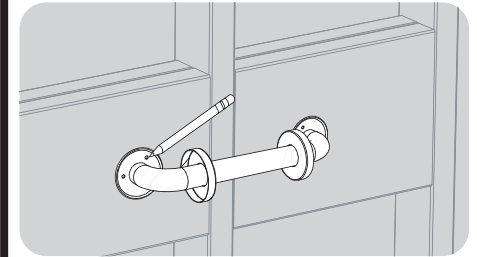
MAINTENANCE

Your new Grab Bar is designed for years of trouble-free performance. Keep it looking new by cleaning it periodically with a soft cloth. Avoid abrasive cleaners, steel wool, and harsh chemicals as these will dull the finish and void your warranty.

WARRANTY

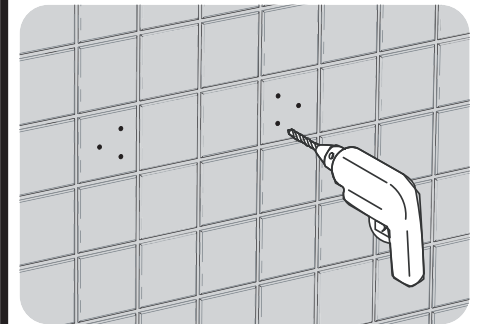
Additional warranty information can be found at: www.speakmancompany.com

- 1** Place Grab Bar in desired position on wall, being sure that there is sufficient blocking within the wall. Level if desired. Mark three (3) holes from each Wall Plate onto wall with pencil.

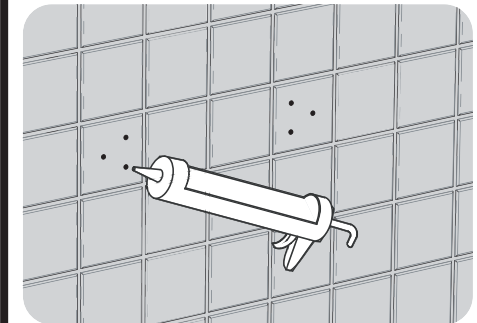


NOTE: If installing thru drywall, proceed to step **4**

- 2 IF MOUNTING THRU TILE WALL:** Drill thru tile only using a 3/16" (#12) drill bit that is designed for tile.

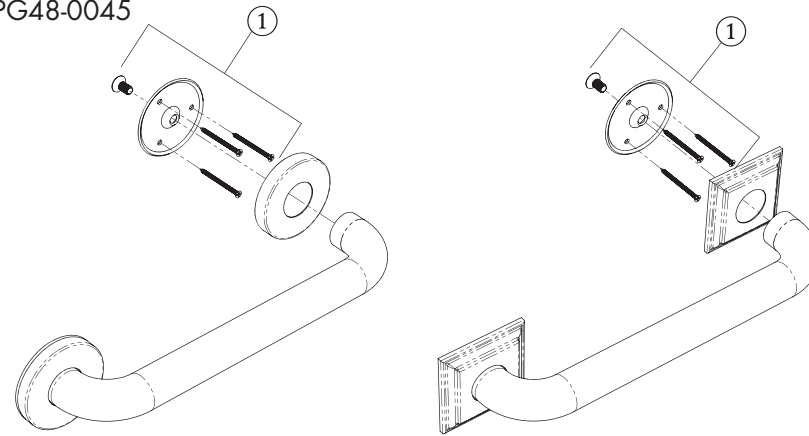


- 3 IF MOUNTING THRU TILE WALL:** Apply Silicone Sealant into the six (6) drilled holes.

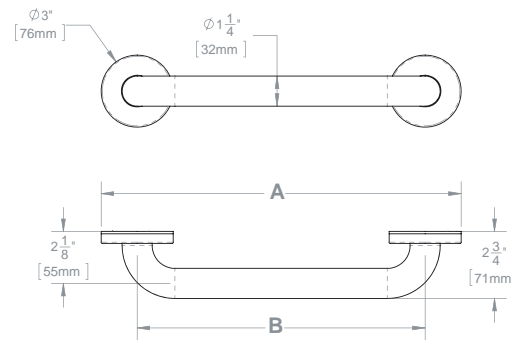


REPAIR PART GROUPS

① RPG48-0045



ROUGH IN DIMENSIONS

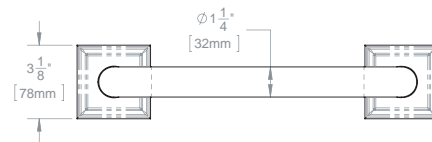


DIMENSION "A"

SA-1009-24	27" (686mm)
SA-1009-36	39" (991mm)
SA-1009-48	51" (1295mm)

DIMENSION "B"

SA-1009-24	24" (610mm)
SA-1009-36	36" (914mm)
SA-1009-48	48" (1219mm)



DIMENSION "C"

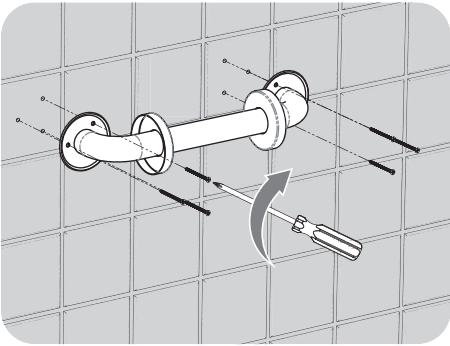
SA-1309-24	27-1/8" (687mm)
SA-1309-36	39-1/8" (992mm)
SA-1309-48	51-18" (1297mm)



DIMENSION "D"

SA-1309-24	24" (610mm)
SA-1309-36	36" (914mm)
SA-1309-48	48" (1219mm)

4 Secure each wall plate to wall using three (3) of the screws provided.



5 Slide escutcheons over wall plates.

