

ITEM#AT01204-6

**ALTON**<sup>®</sup>

# OPERATOR'S MANUAL

**2.5 HP/6-GALLON**

## AIR COMPRESSOR



**IMPORTANT: READ THIS OPERATOR'S MANUAL BEFORE USING**

Manufactured in China

©2008 Alton Industries Group, Ltd. – All Rights Reserved

## TABLE OF CONTENTS

SAFETY GUIDELINES-----	3
BASIC COMPRESSOR FEATURES-----	4
ELECTRIC MOTOR-----	5
AIR COMPRESSOR PUMP-----	5
PRESSURE SWITCH-----	5
PRESSURE RELIEF VALVE-----	5
AIR PRESSURE REGULATOR-----	5
TANK PRESSURE GAUGE-----	5
REGULATED PRESSURE GAUGE-----	5
AIR LINE OUTLET-----	5
AIR TANK DRAIN VALVE-----	5
AIR TANK-----	5
POWER CORD-----	5
ASSEMBLY-----	6
OPERATION-----	7
BREAK-IN OF THE PUMP-----	7
STARTUP-----	7
SHUTDOWN-----	7
MAINTENANCE CHART-----	8
TROUBLESHOOTING CHART-----	9
EXPLODED VIEW & PARTS LIST-----	10

## SPECIFICATION

MODEL NO.-----	AT01204-6
PUMP-----	OIL LUBRICATED DIRECT DRIVE
MOTOR-----	2.5 Peak HP
VOLTAGE/AMPS/PHASE-----	120/13/1
AIR TANK CAPACITY-----	6 GALLON
CUT-IN PRESSURE-----	95 PSI
CUT-OUT PRESSURE-----	125 PSI
CFM @ 40 PSI-----	4.3
CFM @ 90 PSI-----	3.5
POWER CORD-----	STW 14 AWG / 72" LENGTH
EXTENSION CORD-----	STW 12 AWG / NO LONGER THAN 50 FEET

**NOTE:** Avoid use of extension cords. If cannot be avoided, the cord should be a minimum wire size of 12 AWG and no longer than 50 feet.  
Use only a 3-wire extension cord that has a 3-blade grounding plug, and a 3-slot receptacle that will accept the plug on the product.

## SAFETY GUIDELINES










This manual contains information that relates to PROTECTING YOUR SAFETY and PREVENTING EQUIPMENT PROBLEMS and is very important for you to know and understand. We use the symbols below to help you recognize this information.

**▲ DANGER** - POTENTIAL HAZARD THAT WILL RESULT IN SERIOUS INJURY OR LOSS OF LIFE

**▲ WARNING** - POTENTIAL HAZARD THAT COULD RESULT IN SERIOUS INJURY OR LOSS OF LIFE

**▲ CAUTION** - POTENTIAL HAZARD THAT MAY RESULT IN MODERATE INJURY OR DAMAGE TO EQUIPMENT

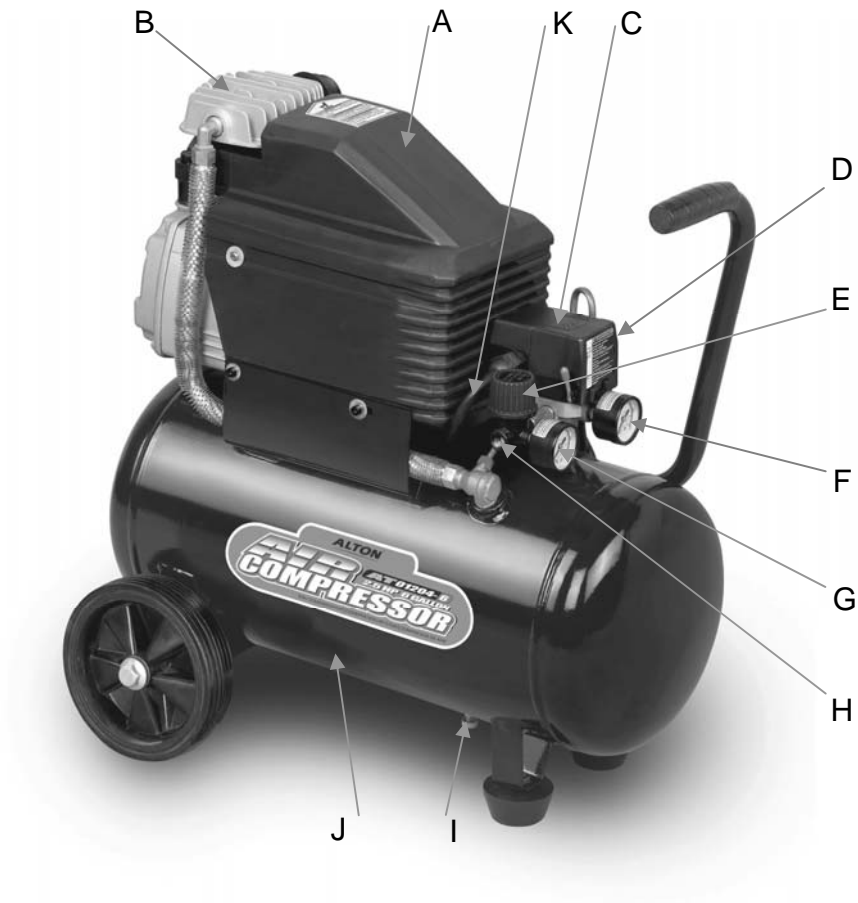
### ▲ WARNING

-  **1. RISK OF EXPLOSION OR FIRE.** Never spray flammable liquids in a confined area. It is normal for the motor and pressure switch to produce sparks while operating. If sparks come into contact with vapors from gasoline or other solvents, they may ignite and cause fire or explosion. Do not smoke while spraying. Do not spray where sparks or flame are present. Keep compressor as far from spray area as possible. Always operate the compressor in a well-ventilated area.
-  **2. RISK OF ELECTRIC SHOCK.** A licensed electrician in accordance with all local and national codes must install all wirings. To avoid electric shock, NEVER use an electric air compressor outdoors when it is raining or on a wet surface.
-  **3. RISK OF BURSTING.** Rust can weaken the tank. Drain the condensed water from the tank after each use to reduce rusting. Welding or modifications on the air tank can severely impair tank strength and cause an extremely hazardous condition. So DO NOT weld, drill or modify the air tank of this compressor. If a leak is detected in the tank, replace the tank right away.
-  **4. RISK OF INJURY.** ALWAYS shut off the compressor, remove the plug from the outlet and bleed all pressure from the system before servicing the compressor or when the compressor is not in use. Do NOT use the unit with the shrouds removed. Contact moving parts could cause serious injury.
-  **5. RISK OF BURSTING.** Check the maximum pressure rating in the manual or the serial tag label. Compressor outlet pressure must be regulated so as to never exceed the maximum pressure rating. Relieve all pressure through the hose before removing or attaching accessories.
-  **6. RISK OF BURSTING.** DO NOT adjust the pressure switch or relief valve for any reason. They have been preset at the factory for the maximum pressure of this unit. If the pressure switch or the relief valve are tampered with, personal injury or property damage may occur.
-  **7. RISK OF BURNS.** Pump and manifold generate high temperature. To avoid burns or other injuries, DO NOT touch the pump, manifold or transfer tube while the unit is running. Allow the parts to cool before handling or servicing. Keep children away from the compressor at all times.
-  **8. RISK TO BREATHING.** Be certain to read all labels when you are spraying paints or toxic materials, and follow the safety instructions. Use a respirator mask if there is a chance of inhaling anything you are spraying. Also, NEVER directly inhale the compressed air produced by a compressor.
-  **9. RISK OF EYE INJURY.** ALWAYS wear ANSI Z87.1 approved safety goggles when using an air compressor. NEVER point any nozzle or sprayer toward a person or any part of the body. If the spray penetrates the skin, serious injury may occur.

### ▲ CAUTION

1. Pull the pressure relief valve ring daily to ensure that the valve is functioning properly.
2. The unit must be kept a minimum of 12 inches from the nearest wall, in a well-ventilated area for cooling.
3. Protect the air hose and electric cord from damage and puncture. Inspect them weekly for weak or worn spots and replace if necessary.
4. Always wear hearing protection when using an air compressor. Failure to do so may result in hearing loss.
5. Operation of the unit should always be in a position that is stable. Never use the unit on a rooftop or elevated position that could allow the unit to fall or be tipped over.

## BASIC COMPRESSOR FEATURES



- A-----ELECTRIC MOTOR
- B-----AIR COMPRESSOR PUMP
- C-----PRESSURE SWITCH
- D-----PRESSURE RELIEF VALVE
- E-----AIR PRESSURE REGULATOR
- F-----TANK PRESSURE GAUGE
- G-----REGULATED PRESSURE GAUGE
- H-----AIR LINE OUTLET
- I-----AIR TANK DRAIN VALVE
- J-----AIR TANK
- K-----POWER CORD

## BASIC COMPRESSOR FEATURES

- A. ELECTRIC MOTOR:** The motor is used to power the pump. It has a thermal overload protector and an automatic reset. If the motor overheats for any reason, the thermal overload protector will shut it down to prevent the motor from being damaged. The motor will automatically restart when it completely cools.
- B. AIR COMPRESSOR PUMP:** The pump is used to compress the air and discharge it into the tank via the piston moving up and down in the cylinder.
- C. PRESSURE SWITCH:** The switch is used to start or stop the air compressor. It is operated manually. When in ON position, it allows the motor to start when the air tank pressure is below the factory set cut-in pressure and allows the motor to stop when the air tank pressure reaches the factory set cut-out pressure. ALWAYS set this switch to OFF when the unit is not being used, and before unplugging the unit.
- D. PRESSURE RELIEF VALVE:** The valve is used to prevent system failures by relieving pressure from the system when the pressure reaches the preset level while the pressure switch does not shut down the motor. It will pop open automatically or you can pull the ring on the valve to make it.
- E. AIR PRESSURE REGULATOR:** The regulator is used to adjust line pressure to the tool you are using. Turn the knob clockwise to increase pressure and counterclockwise to decrease pressure.
- ▲ **WARNING:** Never exceed the maximum working pressure of the tool.
- F. TANK PRESSURE GAUGE:** The gauge is used to measure the pressure level of the air stored in the tank. It is not adjustable by the operator, and does not indicate line pressure.
- G. REGULATED PRESSURE GAUGE:** The gauge is used to measure the regulated outlet pressure.
- H. AIR LINE OUTLET:** The outlet is used to connect 1/4" NPT air hose.
- I. AIR TANK DRAIN VALVE:** The drain valve is used to remove moisture from the air tank after the unit is shut off.
- ▲ **WARNING:** Never attempt to open the drain valve when over 10 PSI of air pressure is in the tank.
- J. AIR TANK:** The tank is used to store the compressed air.
- K. POWER CORD:** This product is for use on a nominal 115 volt circuit and should be grounded. A cord with a grounding plug, as K showed, shall be used. Make sure that the product is connected to an outlet having the same configuration as the plug (see Figure 1). No adapter should be used with this product.
- Check with a licensed electrician if the grounding instructions are not completely understood, or if in doubt as to whether the product is properly grounded. Do not modify the plug provided. If it will not fit the outlet, have the proper outlet installed by a licensed electrician.

▲ **DANGER:** Improper installation of the grounding plug will result in a risk of electric shock. If repair or replacement of the cord or plug is necessary, do not connect the grounding wire to either flat blade terminal. The grounding wire is in green outer surface.

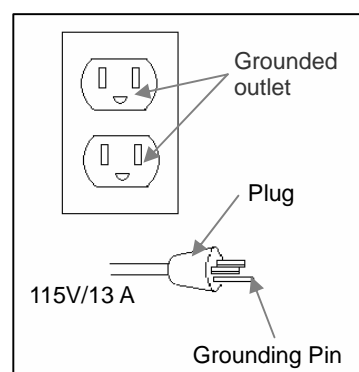


Figure 1

## ASSEMBLY

1. Unpack the air compressor and inspect the unit for damage and parts. If the unit has been damaged or some parts are missing, contact the agent immediately.
2. Check the serial tag label to ensure that it has the required pressure rating for its intended use.
3. Take out two(2) wheels(A), two(2) bolts(B), four(4) washers(C), two(2) nuts(D) from the bag and install them on the foot section of the tank. (See Figure 2)
4. Unpack the smaller plastic bag with the air filter included and have the air filter (A) assembled on the pump. (See Figure 3)
5. Locate the compressor according to the following guidelines:
  - a. Set the compressor in a position near a grounded electrical outlet.
  - b. The compressor must be at least 12 inches away from any wall or obstruction, in a clean, well-ventilated area, to ensure sufficient air flow and cooling.
  - c. The compressor must be level to ensure proper drainage of the moisture in the tank.
  - d. In cold weather, store the compressor in a heated building when not in use. This will reduce problems with motor starting and freezing of water condensation.
6. Connect an air hose with a 1/4" NPT fitting kit to the compressor air line outlet.

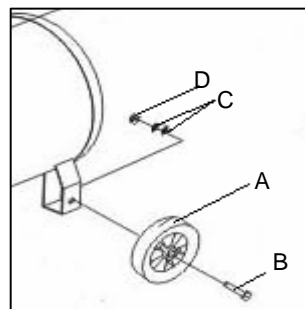


Figure 2

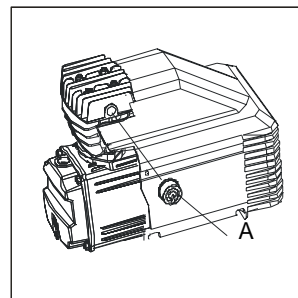


Figure 3

## OPERATION

### BREAK-IN OF THE PUMP

**NOTE:** The pump is shipped WITHOUT oil. Before starting, the break-in oil provided in an oil bottle should be poured in the pump through the oil nozzle. The break-in oil should be changed after 8 hours of operation. To reduce maintenance and repair problems, use only premium compressor oil. SAE 10W-30 all weather air compressor oil is recommended for general use.

1. Check the oil level in the pump through the oil sight glass. The pump oil level must be between A1 and A2. Do not overfill or underfill. (See A)
2. Turn the pressure switch to the OFF position (See B)
3. Open the tank drain valve (See C). Turn in the counter-clockwise direction.
4. Plug in the power cord
5. Turn the pressure switch to the ON position (See D). The unit will start. Allow the unit to run for half an hour to break in the internal parts. After about half an hour, if the unit does not operate properly, shut down immediately and contact Product Service.
6. After half an hour, turn the pressure switch to the OFF position.
7. Close the tank drain valve. Turn in the clockwise direction.
8. Turn the pressure switch to the ON position. The unit will start and fill the tank to the cut-out pressure and stop.

**NOTE:** The pressure switch will restart the motor automatically as compressed air is used.

### STARTUP

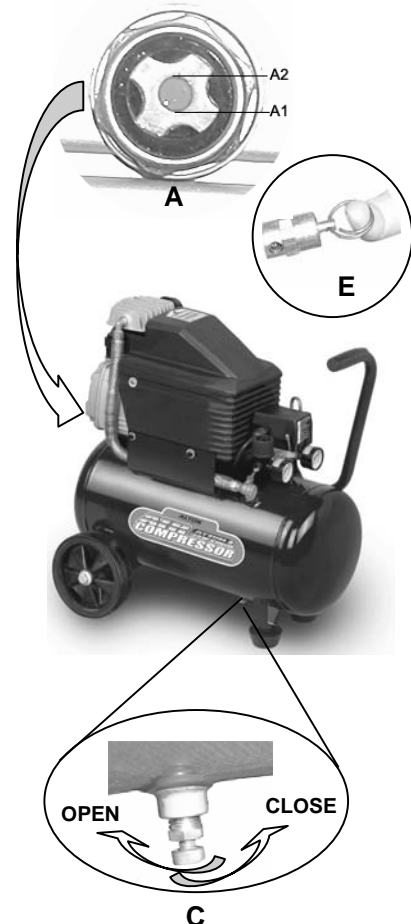
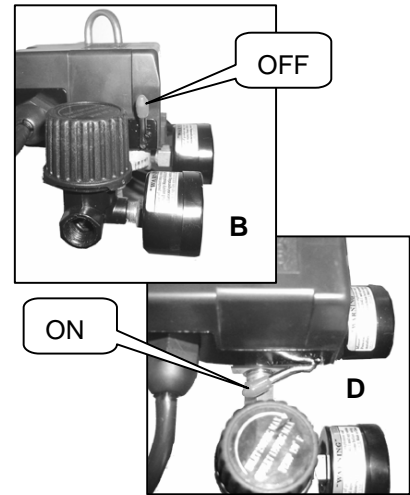
1. Before starting, check the oil sight glass to ensure that oil level in the pump is at the required level.
2. Turn the pressure switch to the OFF position.
3. Close the tank drain valve.
4. Plug in the power cord.
5. Turn the pressure switch to the ON position.
6. Adjust the pressure regulator to the working pressure of the tool.

When adjusting from a higher to a lower pressure, turn the knob counterclockwise past the desired setting, and then turn clockwise to reach the desired pressure. DO NOT exceed operating pressure of the tool or accessory being used.

### SHUTDOWN

1. Turn the pressure switch to the OFF position.
2. Unplug the power cord.
3. Reduce pressure in the tank through the outlet hose. You can also pull the relief valve ring and keep it open to relieve pressure in the tank. (See E)

**▲ CAUTION** Escaping air and moisture can propel debris that may cause eye injury. Wear safety goggles when opening drain valve.



## MAINTENANCE CHART

**⚠ WARNING** To avoid personal injury, always shut off and unplug the unit and relieve all air pressure from the system before performing any service on the air compressor.

Regular maintenance will ensure trouble free operation. The items listed in the chart should be inspected on a regular basis.

ITEM	DESCRIPTION	SERVICE INTERVAL
Drain the tank	To prevent corrosion of the tank from the inside, the condensation must be drained at the end of every workday. Be sure to wear protective goggles. Relieve the air pressure in the system and open the drain valve on the bottom of the tank to drain.	Daily
Check the oil	Check the oil level in the pump through the oil sight glass. The pump oil level must be within the red circle. Do not overfill or underfill.	Daily
Check the relief valve	Pull the relief valve on the ring daily to ensure that it is operating properly and to clear the valve of any possible obstructions.	Daily
Clean the air filter	A dirty filter will reduce the unit's performance and life. To avoid any contamination inside the pump, the filter should be cleaned frequently and replaced on a regular basis. Foam filter should be cleaned in warm and soapy water.	Weekly
Test for leakage	Check all connections to see if tight. A small leak in any of the tank, hoses, pipe connections or transfer tubes will absolutely reduce the unit's performance. Spray a small amount of soapy water around the area of the suspected leak with a spray bottle. If bubbles appear, repair or replace the faulty component. Do not over tighten any connections.	N/A
Storage	Before storing the unit for a long period, use an air blow gun to clean all dust and debris from the compressor. Disconnect and coil the power cord up. Clean the filter element and filter housing. Drain all moisture from the tank. Pull the pressure relief valve to release all pressure from the tank. Cover the entire unit to protect it from moisture and dust.	N/A

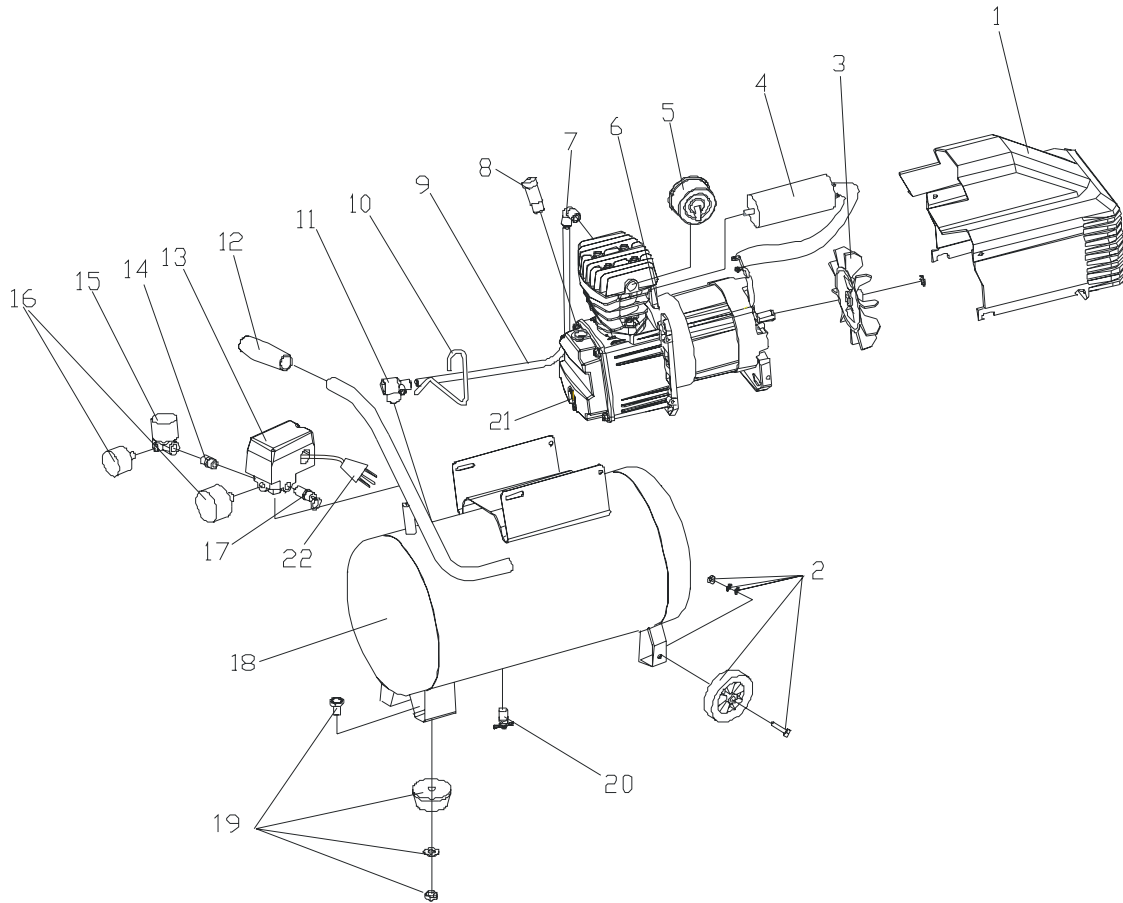


## TROUBLESHOOTING CHART

**NOTE:** Troubleshooting problems may have similar causes and solutions.

PROBLEM	POSSIBLE CAUSE	SOLUTION
Motor will not run or start	Power cord not plugged in	Plug cord into grounded outlet
	Pressure Switch in "OFF" position	Turn switch to "ON" position
	Wrong gauge wire or length of extension cord	Check chart on page 2 for proper gauge wire and cord length
	Motor thermal overload switch tripped	Turn air compressor off, wait until motor is cool, then check motor circuit breaker
	Fuse blown or circuit breaker tripped	-Replace fuse or reset circuit breaker -Check for proper fuse amperage -Check for low voltage conditions -Disconnect any other electrical appliances from circuit or operate compressor on its branch circuit
	Air tank pressure exceeds preset pressure switch limit	Motor will start automatically when tank pressure drops below cut-in pressure of pressure tank.
	Check valve stuck open	Remove and clean or replace
	Loose electrical connections	Contact authorized service center
	Possible defective motor, capacitor or check valve	Contact authorized service center
Motor runs continuously when in the Start/Stop option	Pressure switch does not shut off motor when air compressor reaches cut-out pressure and safety relief valve activates	Move the pressure switch to the OFF position. If the motor does not shut off, unplug the air compressor. If the electrical contacts are welded together, replace the pressure switch.
	Air compressor not large enough	Check air requirement of accessory used. If it is higher than CFM and pressure supplied by compressor, a larger compressor is needed. Most accessories are rated at 25% of actual CFM while running continuously.
Regulator does not regulate pressure	Dirty or damage regulator internal parts.	Replace regulator.
Low pressure or not enough air	Fittings leak	Check fittings with soapy water. Tighten or reseal leaking fittings. But do not over tighten.
	Tank drain valve is open	Close drain valve
	Restricted air intake	Clean or replace air filter element.
	Prolonged excessive use of air	Decrease amount of air used
	Hole in air hose	Check and replace if necessary
	Tank leaks	Replace unit immediately. DO NOT attempt to repair.
	Valve leaks	Check and replace worn parts.
Moisture in discharge air	Condensation in air tank caused by high level of atmospheric humidity or air compressor did not run long enough.	Drain air tank after each use. Drain air tank more often in humid weather and use an air line filter.
Overheating	Poor ventilation	Relocate compressor to an area with cool, dry and well-circulated air.
	Dirty cooling surfaces	Clean all cooling surfaces of pump and motor thoroughly.
	Leaking valve	Replace worn parts and reassemble with new seals.

## EXPLODED VIEW



## PARTS LIST

P/N	DESCRIPTION	QTY	P/N	DESCRIPTION	QTY
1	Shroud	1	12	Handle cover	1
2	Wheel kit	2	13	Pressure Switch	1
3	Fan	1	14	Adapter fitting	1
4	Capacitor	1	15	Regulator	1
5	Air filter	1	16	Pressure gauge	2
6	Pump/motor assembly	1	17	Relief valve	1
7	Elbow	1	18	Air tank	1
8	Oil fill plug	1	19	Pad kit	2
9	Transfer tube w/fins	1	20	Drain valve	1
10	Bleeder tub	1	21	Oil sight glass	1
11	Check valve	1	22	Power cord	1