



HASWELL 4LT LED WALL LIGHT PC SKU#577791

ASSEMBLY / INSTALLATION INSTRUCTIONS

Please read carefully and save these instructions, as you may need them at a later date.

CAUTION

Turn off the main power at the circuit breaker before installing the fixture, in order to prevent possible shock.

GENERAL

All electrical connections must be in accordance with local and National Electrical Code (N.E.C.) standards.

If you are unfamiliar with proper electrical wiring connections obtain the services of a qualified electrician. Remove the fixture and the mounting package from the box and make sure that no parts are missing by referencing the illustrations on the installation instructions. Tools are required when install this fixture.

REQUIRED TOOLS

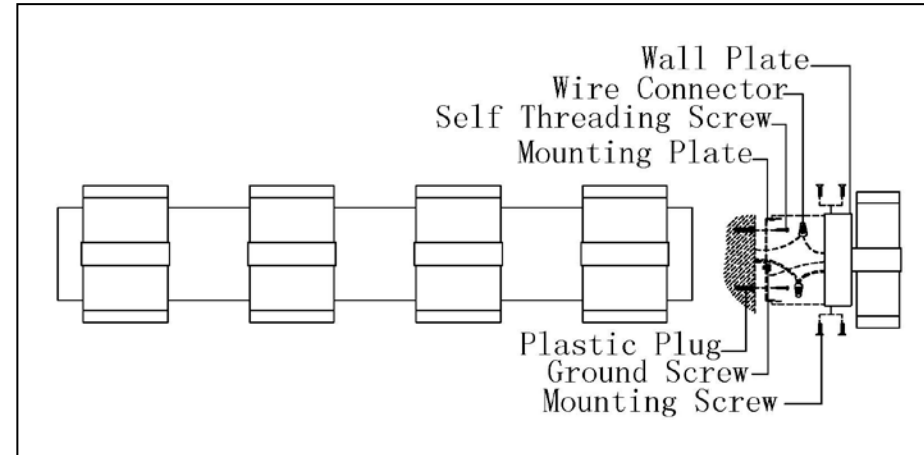
Philips screwdriver, electric drill,

ASSEMBLY AND INSTALLATION

Turn off the power at fuse or circuit breaker

1. Carefully unpack the fixture; lay out all parts on a clean surface.
2. Drill a hole in the wall to the same diameter as the hole of MOUNTING PLATE and insert the PLASTIC PLUGS into the wall. Fasten the MOUNTING PLATE over the OUTLET BOX. Then screw the SELF THREADING SCREWS into the PLASTIC PLUGS to secure the MOUNTING PLATE.
3. Tie ground wire from OUTLET BOX and from fixture to the GROUND SCREW on the MOUNTING PLATE. Connect white wire from fixture to white wire (neutral wire) from supply circuit. Connect black wire from fixture to black wire (live wire) from supply circuit. Cover connections using provided WIRE CONNECTORS.
4. Place WALL PLATE over the MOUNTING PLATE, and tighten the 4 MOUNTING SCREWS on the top and bottom of WALL PLATE.

Turn on the power at fuse or circuit breaker.



ITEM#577791

***IF IN DOUBT ABOUT ELECTRICAL INSTALLATION,
CONSULT A LICENSED ELECTRICIAN.***

Customer Service: 1-800-558-8700