



Please read all instructions before you get started.

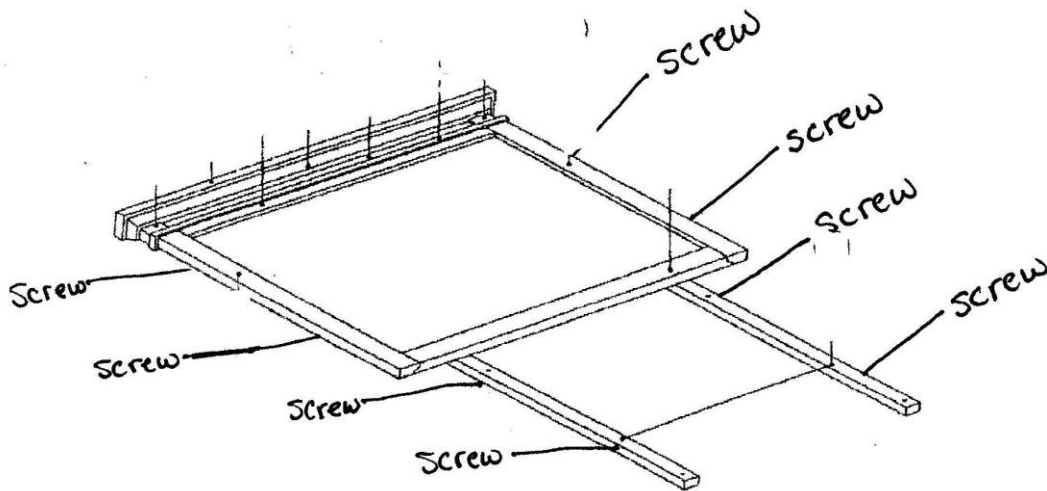
Items needed:

- 8 screws - Provided
- 2 mirror supports- Provided
- 2 people
- Screwdriver/drill

Step 1- Screw the mirror supports onto the back of the mirror.

Step 2- Position the mirror onto the center of the dresser.

Step 3- Screw through the mirror supports into the back panel.



NOTE

THERE ARE NO PRE DRILLED HOLES FOR THE MIRROR SUPPORT SCREWS ON THE BACK PANEL OR MIRROR. MAKE SURE THERE ARE A TOTAL OF 4 SCREWS IN THE MIRROR AND 4 SCREWS IN THE BACK PANEL.