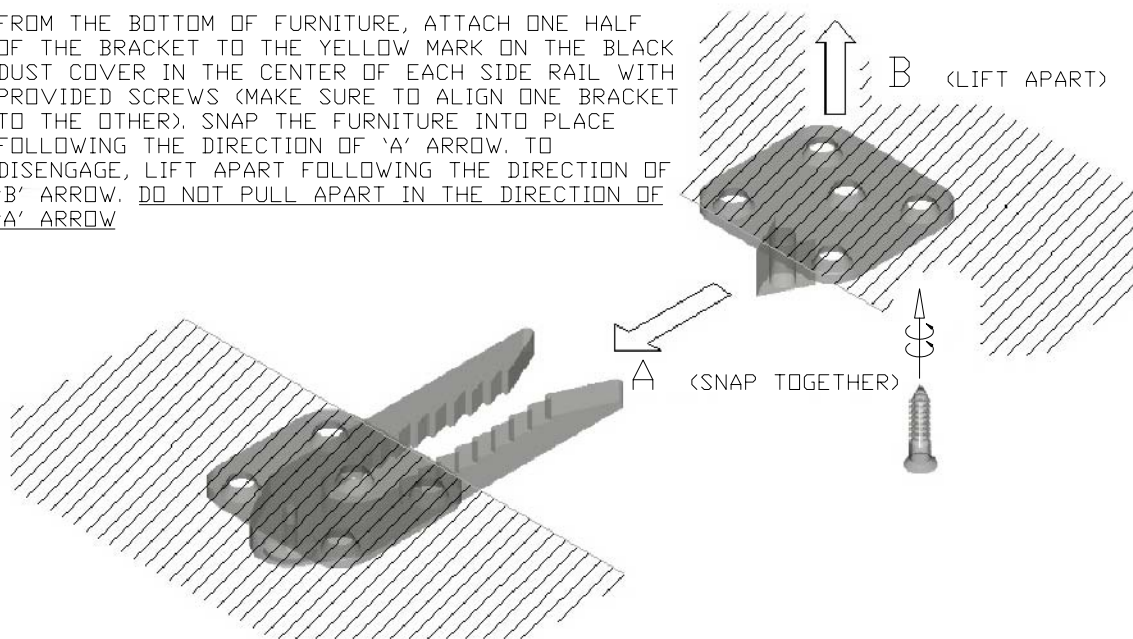
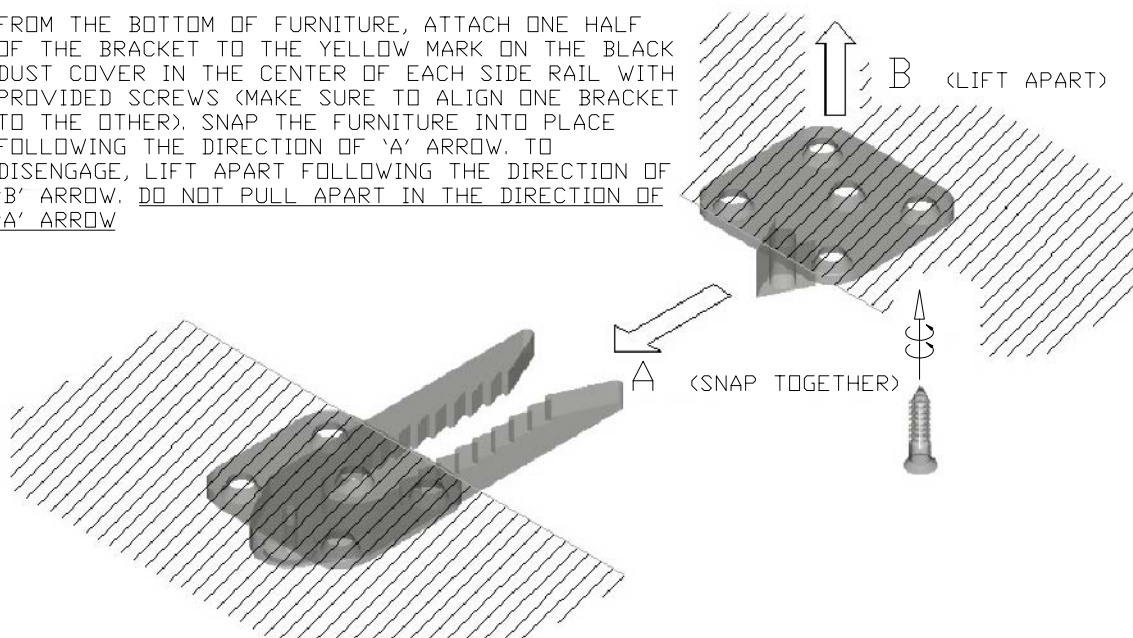


FROM THE BOTTOM OF FURNITURE, ATTACH ONE HALF OF THE BRACKET TO THE YELLOW MARK ON THE BLACK DUST COVER IN THE CENTER OF EACH SIDE RAIL WITH PROVIDED SCREWS (MAKE SURE TO ALIGN ONE BRACKET TO THE OTHER). SNAP THE FURNITURE INTO PLACE FOLLOWING THE DIRECTION OF 'A' ARROW. TO DISENGAGE, LIFT APART FOLLOWING THE DIRECTION OF 'B' ARROW. DO NOT PULL APART IN THE DIRECTION OF 'A' ARROW



FROM THE BOTTOM OF FURNITURE, ATTACH ONE HALF OF THE BRACKET TO THE YELLOW MARK ON THE BLACK DUST COVER IN THE CENTER OF EACH SIDE RAIL WITH PROVIDED SCREWS (MAKE SURE TO ALIGN ONE BRACKET TO THE OTHER). SNAP THE FURNITURE INTO PLACE FOLLOWING THE DIRECTION OF 'A' ARROW. TO DISENGAGE, LIFT APART FOLLOWING THE DIRECTION OF 'B' ARROW. DO NOT PULL APART IN THE DIRECTION OF 'A' ARROW



FROM THE BOTTOM OF FURNITURE, ATTACH ONE HALF OF THE BRACKET TO THE YELLOW MARK ON THE BLACK DUST COVER IN THE CENTER OF EACH SIDE RAIL WITH PROVIDED SCREWS (MAKE SURE TO ALIGN ONE BRACKET TO THE OTHER). SNAP THE FURNITURE INTO PLACE FOLLOWING THE DIRECTION OF 'A' ARROW. TO DISENGAGE, LIFT APART FOLLOWING THE DIRECTION OF 'B' ARROW. DO NOT PULL APART IN THE DIRECTION OF 'A' ARROW

