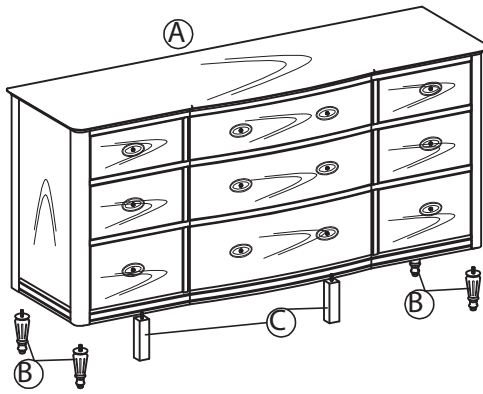


# Assembly instruction for Wellington Dresser 9530000930

**HOME**  
DECORATORS  
COLLECTION



## Parts Check List

Code	Components	Q'ty
Ⓐ	MAIN BODY	x1
Ⓑ	ROUND LEG	x4
Ⓒ	SQUARE LEG	x2

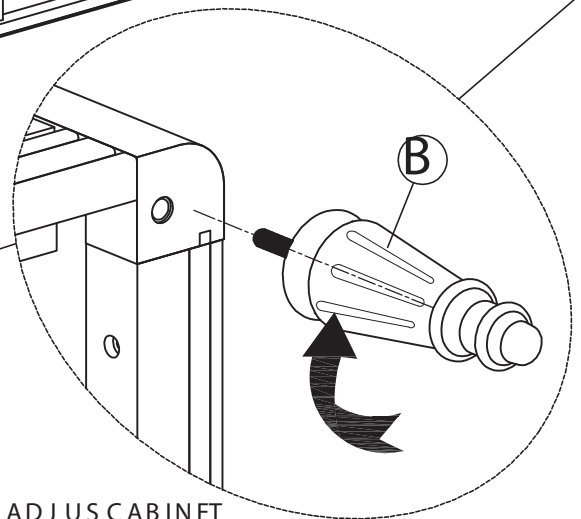
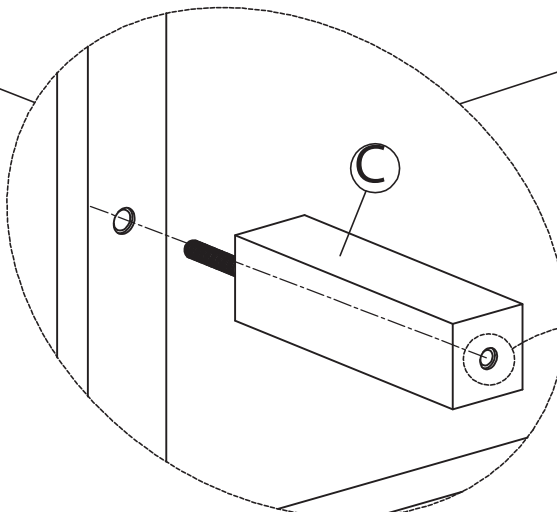
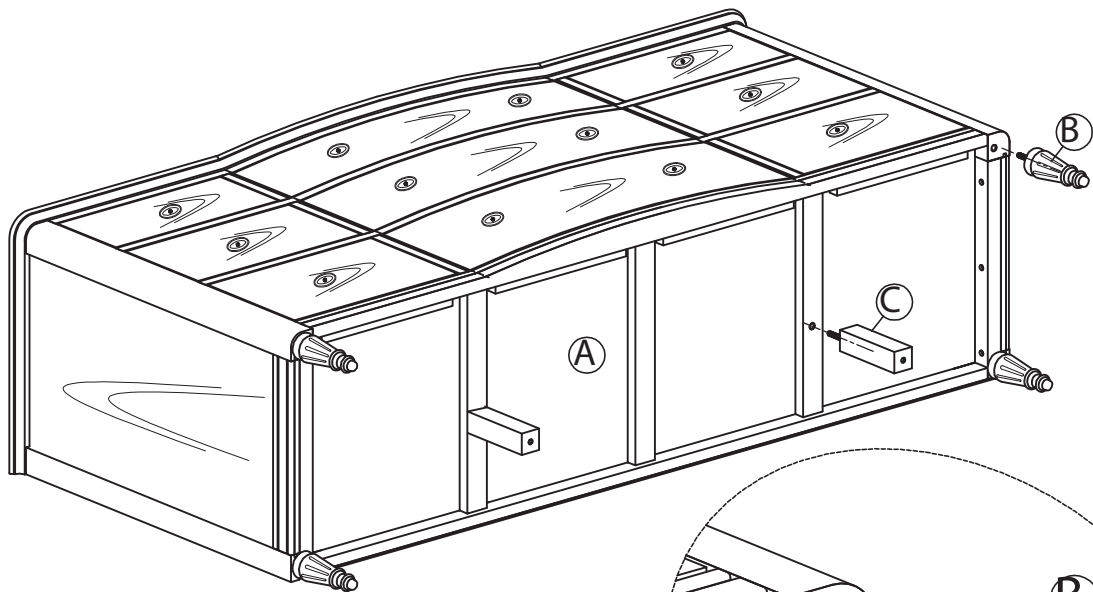
## fittings check list

code	de scription	q'ty
------	--------------	------

- PLEASE DO NOT DISCARD ANY OF THE PACKAGING UNTIL YOU HAVE CHECKED ALL THE PARTS AND THE PACKS OF FITTINGS.  
 - BEFORE YOU BEGIN TO ASSEMBLE YOUR NEW PIECE OF FURNITURE, PLEASE CHECK TO ENSURE THAT ALL PARTS HAVE BEEN SUPPLIED.  
 - FOLLOW INSTRUCTIONS CLOSELY AS DEVIATION FROM THEM MAY VOID YOUR WARRANTY AND PRESENT A POSSIBLE SAFETY RISK.  
 - IT IS RECOMMENDED THAT ASSEMBLY IS DONE ON A SOFT SURFACE LIKE CARPET TO AVOID ANY DAMAGE.  
 - PERIODICALLY CHECK AND RE-TIGHTEN ANY FASTENERS. WIPE DOWN ALL SURFACES WEEKLY WITH A CLEAN CLOTH. DO NOT CLEAN ANY SURFACES WITH HARSH ABRASIVES OR CHEMICALS.

- WARRANTIES: 6 MONTHS  
 - CARE MANUALS:  
 DO NOT PUT HOT ITEMS DIRECTLY ON FURNITURE SURFACE.  
 DO NOT CLEAN FURNITURE WITH HARSH CLEANSERS OR POLISH.  
 DO NOT PLACE FURNITURE IN DIRECT SUNLIGHT.  
 DO NOT PLACE FURNITURE NEAR HEATING OR COOLING VENTS.  
 DO NOT WRITE ON FURNITURE WITHOUT A PADDED BARRIER TO PROTECT THE SURFACE.  
 DO NOT PLACE FURNITURE OUTSIDE. FOR INDOOR USE ONLY.

1.



ADJUST CABINET  
PRE-FITTED

