

# Universal tubs

your doorway to independent bathing

Thank you for choosing Universal Tubs the nationwide manufacturer of walk-in tubs, bathtubs and bathroom fixtures exclusively made for the Home Depot.



For toll-free information or to speak to a knowledgeable representative simply call **1-877-360-4454** or visit us online at **[www.UniversalTubs.com](http://www.UniversalTubs.com)** or email us at **[info@UniversalTubs.com](mailto:info@UniversalTubs.com)**.

# 3238

32" x 37 $\frac{1}{4}$ " x 38"

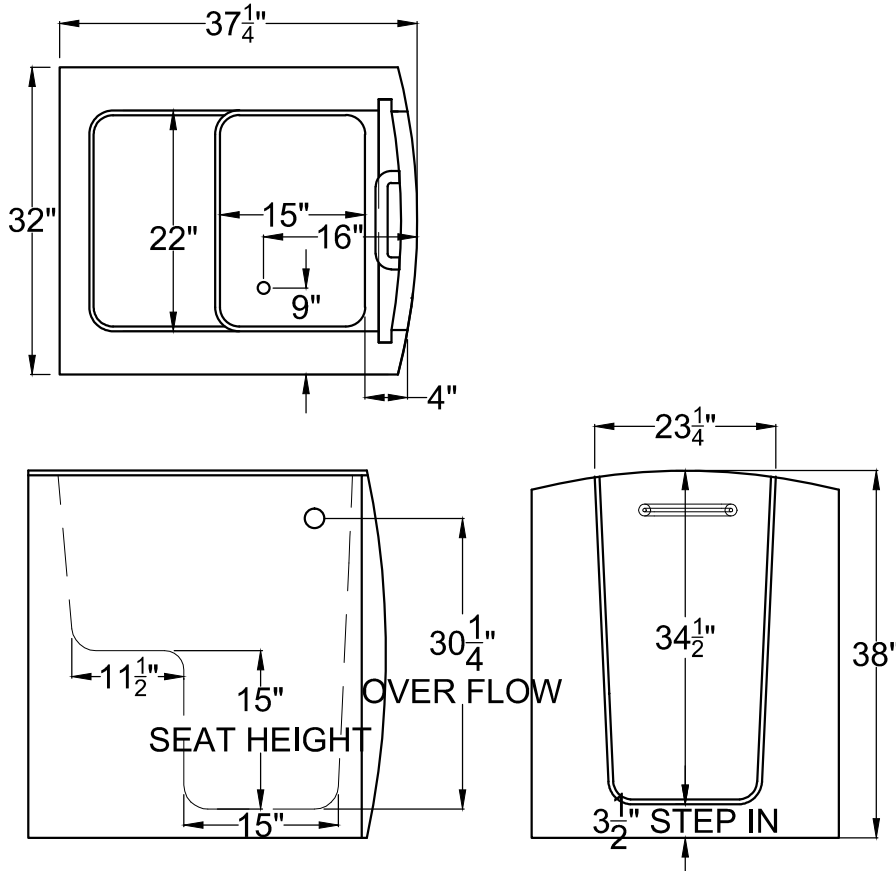
**INSTALLATION:** It is important that all leveling feet are completely touching the floor and level for the door system to work properly.

**GENERAL SPECIFICATIONS:**

**Material** Acrylic  
**Plumbed Weight** : 175lbs / 80kg  
**Soaker Weight** : 145lbs / 66kg  
**Average Fill:** 45 gal to above jet level

**ELECTRICAL SPECIFICATIONS:**

|                              |                  |
|------------------------------|------------------|
| Required Electrical          | Service 110 Volt |
| Air Bath or Whirlpool        | 1-15 amp GFCI    |
| Whirlpool with Inline Heater | 1-20 amp GFCI    |
| Whirlpool and Air            | 1-20 amp GFCI    |
| Soaker                       |                  |



**PACKAGES AND OPTIONS**

| Hydrotherapy Package | Package Contents  | Part # |
|----------------------|---|--------|
| Soaker               | Soaking bath - no jets, textured bottom   | 3238S  |
| Whirlpool            | Adjustable pointed-massage jets, 1-hp pump, textured bottom                       | 3238H  |
| Air Bath             | Air jets, Air blower, Textured bottom   | 3238A  |
| Whirlpool and Air    | Adjustable pointed-massage jets, 1-hp pump, Air jets, Air blower, textured bottom | 3238D  |

- OPTIONS
- Colors Available - White
- Quick Ship - reduces lead time - call for availability
- Inline Heater with Pump - Whirlpool or Whirlpool and Air Bath
- Lift & Turn Drain Kit -Chrome,Brushed Nickel, White
- Color Match Jets.

**IMPORTANT INFORMATION**

- Before ordering or installing, please consider future access to equipment.
- Please measure tub on-site before building tub surrounding.
- Jet, pump & blower locations are predetermined and cannot be changed.
- Tub door must remain close when not in uses.
- Please note that installer(s) must be certify or warranty will be voided.
- Specifications and configurations are subject to change without notice.
- Measurements are +1/2" and are subject to change without notice.
- Measurements herein supersede all others published prior to publication date shown below.