

SINCE 1839

BRINLY

SINCE 1839

BRINLY

OWNER'S MANUAL

BROADCAST SPREADER

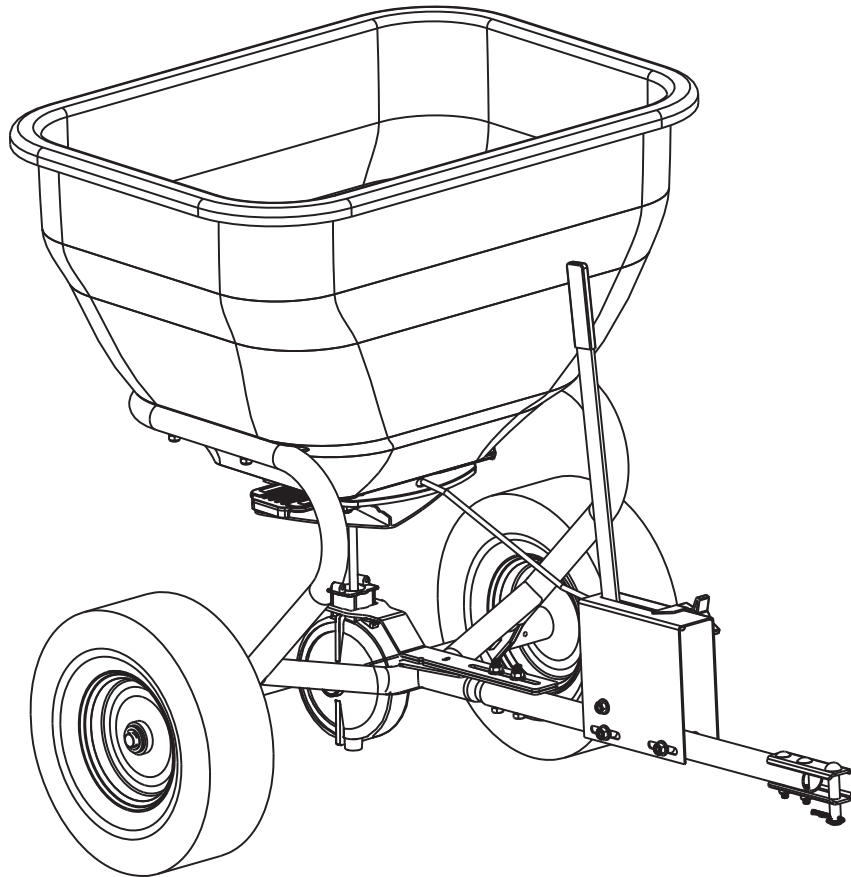
CART MODEL:

BS-36

BS-26

- **Assembly**
- **Installation**
- **Operation**
- **Repair Parts**

For use with Riders
and Lawn/Garden Tractors.



For the latest product updates & setup tips:

Visit us on the web!
www.brinly.com

Important: This manual contains information for the safety of persons and property. Read it carefully before assembly and operation of the equipment!

L-1884-A

INTRODUCTION

CONGRATULATIONS on your new Brinly-Hardy Broadcast Spreader! Your Spreader has been designed, engineered and manufactured to give you the best possible dependability and performance.

Should you experience any problem you can not easily remedy, please do not hesitate to contact our knowledgeable customer service department toll-free at 1-877-728-8224. We have competent, well trained technicians to help you with the assembly and use of your spreader.

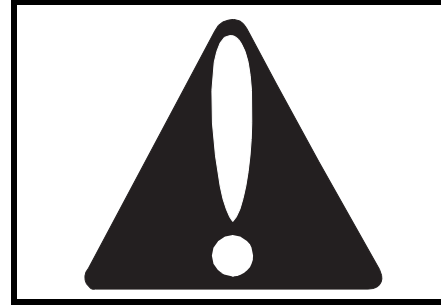
CUSTOMER RESPONSIBILITIES

Please read and retain this manual. The instructions enables you to assemble and maintain your broadcast spreader properly. And please, always observe the "Safety" instructions.

Follow a regular schedule in maintaining, caring-for and using your Brinly-Hardy Broadcast Spreader.

TABLE OF CONTENTS

PRODUCT IDENTIFICATION	2
SAFETY	3
PARTS REFERENCE	4
PARTS LIST	5-6
ASSEMBLY	7-16
CALIBRATION	17
OPERATION	18
ANNUAL MAINTENANCE	19-22
MEDIA FLOW SETTINGS	23-25
TROUBLESHOOTING	26
SPECIFICATIONS	26
WARRANTY	Back Page



Safety-Alert Symbol

The machine safety labels shown in this section are placed in important areas on your machine to draw attention to potential safety hazards.

On your machine safety labels, the words DANGER, WARNING, and CAUTION are used with this safety-alert symbol. DANGER identifies the most serious hazards.

The operator's manual also explains any potential safety hazards whenever necessary in special safety messages that are identified with the word, CAUTION, and the safety-alert symbol.

PRODUCT IDENTIFICATION

PRODUCT COMPATIBILITY

This broadcast spreader is designed for use with riders and lawn and garden tractors.

RECORD PURCHASE INFORMATION

Record your purchase information in the spaces provided below.

DATE OF PURCHASE: _____

COMPANY NAME: _____

COMPANY PHONE: _____

SERIAL NUMBER: _____

SAFETY LABELS

UNDERSTANDING THE MACHINE SAFETY LABELS

Please read and retain this manual. The instructions will enable you to assemble and maintain your broadcast spreader properly. And please, always observe the "Safety Rules".

SAFETY

Read the general safety operating precautions in your towing vehicle operator's manual for additional safety information.

Operate Safely

Use this machine for intended purpose only.

This machine is intended for use in lawn care and home applications. Do not tow behind a vehicle on a highway or in any high speed applications. Do not tow at speeds higher than maximum recommended towing speed.

Towing speed should always be slow enough to maintain control. Travel slowly over rough ground.

Do not let children or an untrained person operate machine.

Do not let anyone, especially children, ride on this machine or the towing vehicle. Riders are subject to injury such as being struck by foreign objects and being thrown off. Riders may also obstruct the operator's view, resulting in this machine being operated in an unsafe manner. Check towing vehicle brake action before you operate. Adjust or service brakes as necessary.

Keep all parts in good condition and properly installed. Fix damaged parts immediately. Replace worn or broken parts. Replace all worn or damaged safety and instruction decals. Do not modify the machine or safety devices. Unauthorized modifications to the towing vehicle or machine may impair its function and safety, and void the warranty.

Keep all nuts, bolts and screws tight.

SAFETY RULES

- Know controls and how to stop quickly, READ THE VEHICLE OWNER'S MANUAL.
- Do not allow children to operate the vehicle, do not allow adults to operate without proper instruction or without having read the owner's manual.
- Do not carry passengers. Keep children and pets a safe distance away.
- Always wear substantial footwear. Do not wear loose fitting clothing that can get caught in moving parts.
- Use only approved hitches. Tow only with a machine that has a hitch designed for towing. Do not attach this machine except at the approved hitch point.
- Keep your eyes and mind on your vehicle and attachment. Do not let other interests distract you.
- Stay alert for holes in the terrain and other hidden hazards.
- Do not drive close to creeks, ditches and public highways.
- Watch out for traffic when crossing or near roadways.
- When using any attachment, don't allow anyone near the vehicle while in operation.
- Before you operate any feature of this machine, observe your surroundings and look for bystanders.
- Always wash hands after contact with fertilizers and pesticides.

- Keep all nuts, bolts and screws tight to be sure the equipment is in safe working condition.
- The vehicle and attachment should be stopped and inspected for damage after striking a foreign object. The damage should be repaired before restarting and operating the equipment.
- When backing - carefully back straight to avoid jackknifing, which could result in damage to equipment.
- Maximum load is 175 lbs for a BST-36 and 125 lbs. for a BST-26.
- Maximum speed - 3 mph.
- Maintain broadcast spreader tires inflated to 20 psi.
- This attachment is intended for lawn care. Do not tow behind a vehicle on a highway.
- Avoid tipping and skidding.
- Avoid holes, rocks and roots.
- Slow down before you turn.
- Keep riders off of hitch bracket.

Operating Hints

Always operate your spreader with the speed limit for which it was designed - 3 MPH.

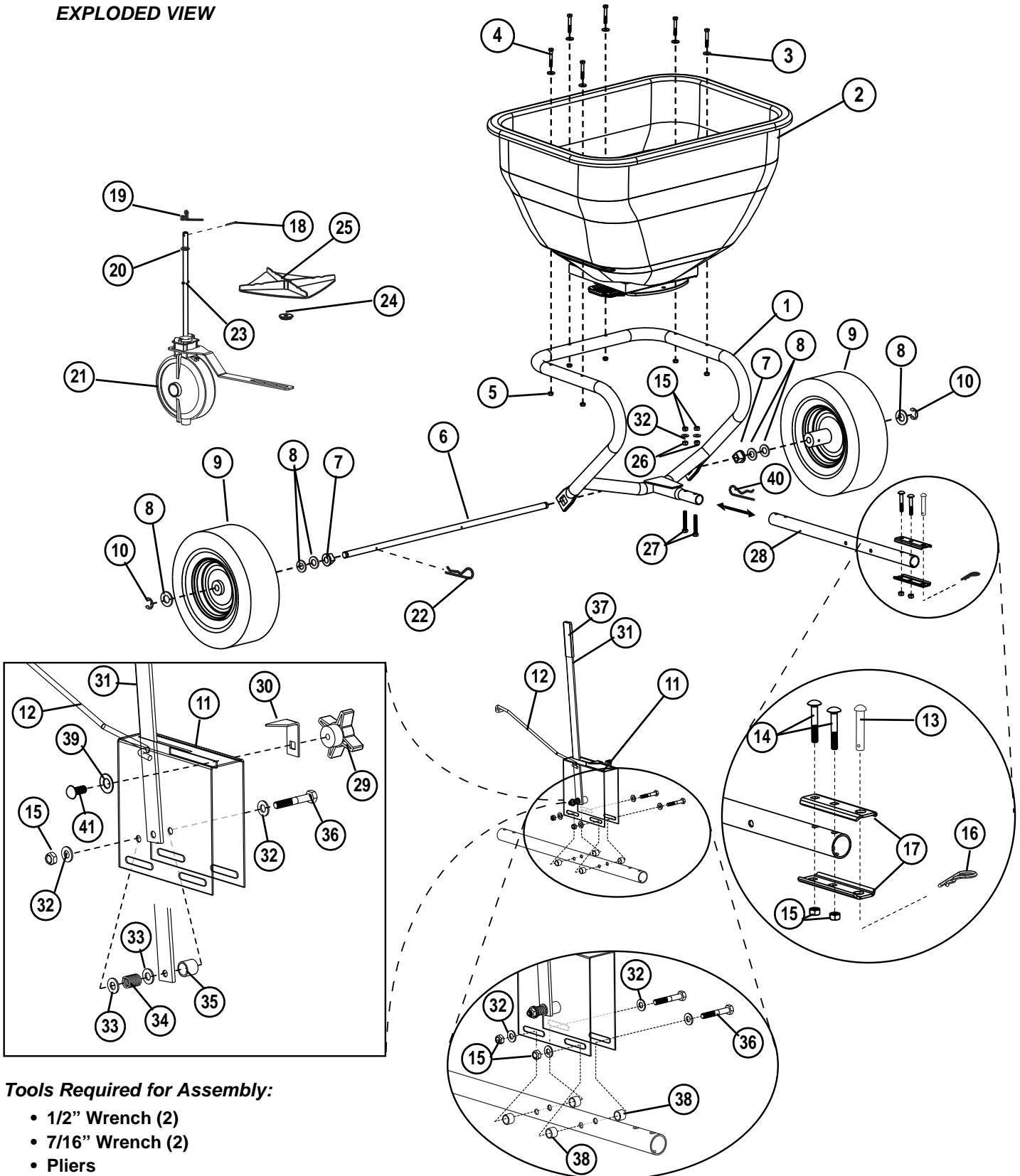
When backing - carefully back straight to avoid jackknifing which could result in damage to equipment.

Only tow your spreader behind vehicles for which it was designed - riders, lawn/garden tractors. DO NOT TOW this spreader behind high speed equipment such as ATV's, RTV's, or Pick up trucks.

Do not load the hopper with more than the maximum weight capacity of 175 pounds for BST-36 and 125 pounds for BST-26.

PARTS REFERENCE

EXPLODED VIEW



Tools Required for Assembly:

- 1/2" Wrench (2)
- 7/16" Wrench (2)
- Pliers
- Flat Head Screwdrivers

PARTS REFERENCE

PARTS LIST

REF NO.	PART NO. BS-26BH	PART NO. BS-36BH	DESCRIPTION	QTY.
1.	F-1290-10	F-1029-10	Hopper Support	1
2.	F-1030	F-1031	Hopper	1*
3.	F-575	F-575	Washer, Thrust, 1/4"	6
4.	2M0828SS	2M0828SS	Bolt, Hex Stainless 1/4" x 1-3/4"	6
5.	B-4785	B-4785	Nylon Lock Nut 1/4"	6
6.	F-1013-01	F-1013-01	Axle, Plated	1
7.	F-283	F-283	Bearing, Axle	2
8.	45M2121P	45M2121P	Washer, Flat 5/8"	6
9.	F-705	F-705	Wheel, Pneumatic (2
10.	F-577	F-577	'E' Ring, Snap, 5/8"	2
11.	F-1009-10	F-1009-10	Plate, Gauge	1
12.	F-1010-01	F-1010-01	Rod, Link	1
13.	B-3861	B-3861	Pin, Hitch 1/2" x 2-1/2"	1
14.	10M1032P	10M1032P	Bolt, Carriage 5/16" x 2"	2
15.	B-4786	B-4786	Nylon Lock Nut 5/16"	7
16.	D-146P	D-146P	Hairpin Cotter 1/8"	1
17.	R-892-10	R-892-10	Clevis	2
18.	50M0416P	50M0416P	Pin, Cotter 1/8" x 1"	1
19.	F-436	F-436	Spring, Agitator, SS	1
20.	F-365	F-365	O-Ring, 3/8" I.D. AS-110	1
21.	F-1015	F-1015	Transmission Assembly	1
22.	F-620	F-620	Hairpin Cotter, Special	1
23.	F-892	F-892	Pin, Spring	1
24.	F-591	F-591	Driver, Fan	1
25.	F-573	F-573	Fan	1
26.	30M1000P	30M1000P	Nut, Hex 5/16"-18	2
27.	2M1036P-FT	2M1036P-FT	Bolt, Hex 5/16" x 2-1/4"	2
28.	F-1023-10	F-1023-10	Tube, Tow	1
29.	F-782	F-782	Knob, 4 Prong, Black	1
30.	F-781-01	F-781-01	Handle, Stop	1
31.	F-1008-10	F-1008-10	Handle, Flow Control	1
32.	45M1111P	45M1111P	Washer, Flat 5/16"	8
33.	R-618	R-618	Washer, Special	2
34.	B-3805	B-3805	Spring	1
35.	B-3721	B-3721	Spacer, Latch	1
36.	2M1044P	2M1044P	Bolt, Hex 5/16" x 2-3/4"	3
37.	R-1882	R-1882	Grip, Flat	1
38.	F-1045	F-1045	Bushing, Pivot	4
39.	F-787	F-787	Washer, Crvd. Spring-Glv	1
40.	B-1002P	B-1002P	Hairpin, Cotter, 148 Dia	1
41.	11M1012P	11M1012P	Bolt, Carriage 5/16" x 3/4"	1

* See Hopper Assembly parts list.



To Order Parts Call:

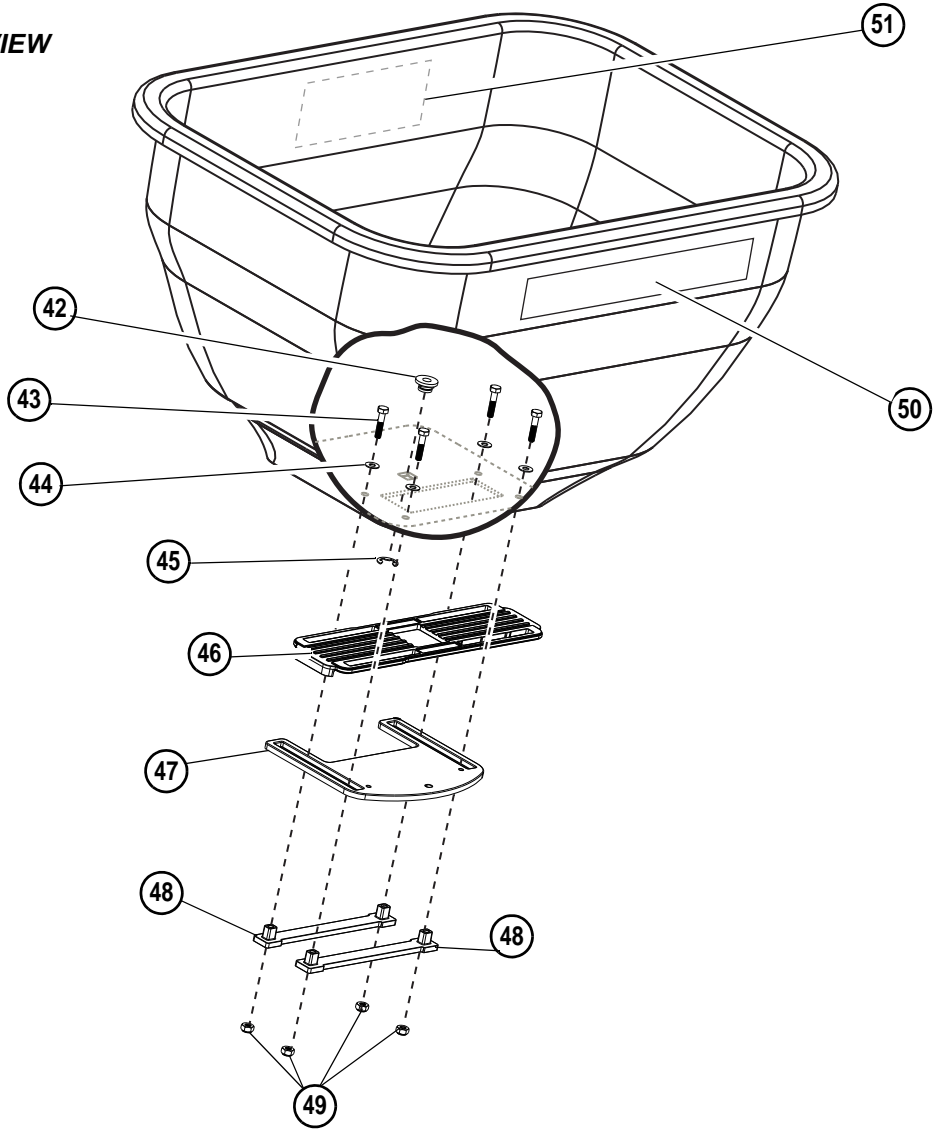
877-728-8224

Visit us on the web:

www.brinly.com

PARTS REFERENCE

HOPPER EXPLODED VIEW



HOPPER PARTS LIST

REF NO.	PART NO. BS-26BH	PART NO. BS-36BH	DESCRIPTION	QTY.
42.	F-574	F-574	Bearing, Shaft	1
43.	2M0820SS	2M0820SS	Bolt, Hex 1/4"x1-1/4" SS	4
44.	45M0909SS	45M0909SS	Washer, Plain SS	4
45.	F-577	F-577	E-Ring, 5/8"	1
46.	B-7392	B-7392	Plate, Directional Control	1
47.	B-7391	B-7391	Gate	1
48.	B-7393	B-7393	Strap	2
49.	F-1026	F-1026	Nut, Hex Lock, 1/4"-20 SS	4
50.	F-1003	F-1003	Label, Calibration/Directional	1
51.	B-5924	B-5924	Decal, Logo	1

INSTALLATION QUESTIONS?
MISSING PARTS?
REPLACEMENT PARTS?

DON'T GO BACK
TO THE STORE!

Please call our Customer Service
 Department Toll-Free at
877.728.8224
 or email
 customerservice@brinly.com

To Order Parts Call:
877-728-8224
 Visit us on the web:
www.brinly.com

ASSEMBLY

Figure 1. INSTALL HOPPER SUPPORT TO THE HOPPER

- 1a. Install six 1/4 x 1-3/4 in. hex bolts (4), and 1/4 in. thrust washer (3) through top of hopper (2) and through support frame (1), as shown.
- 1b. Secure bottom of bolt with 1/4 in. lock nut (5). To avoid damage to plastic, do not overtighten hardware.

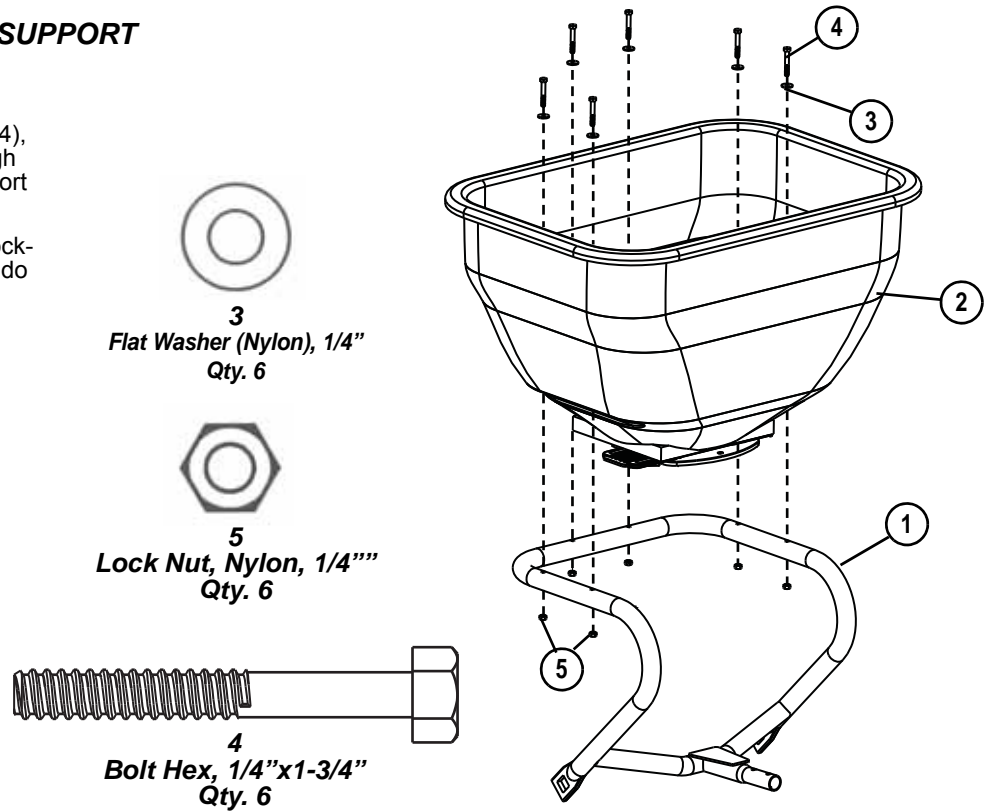
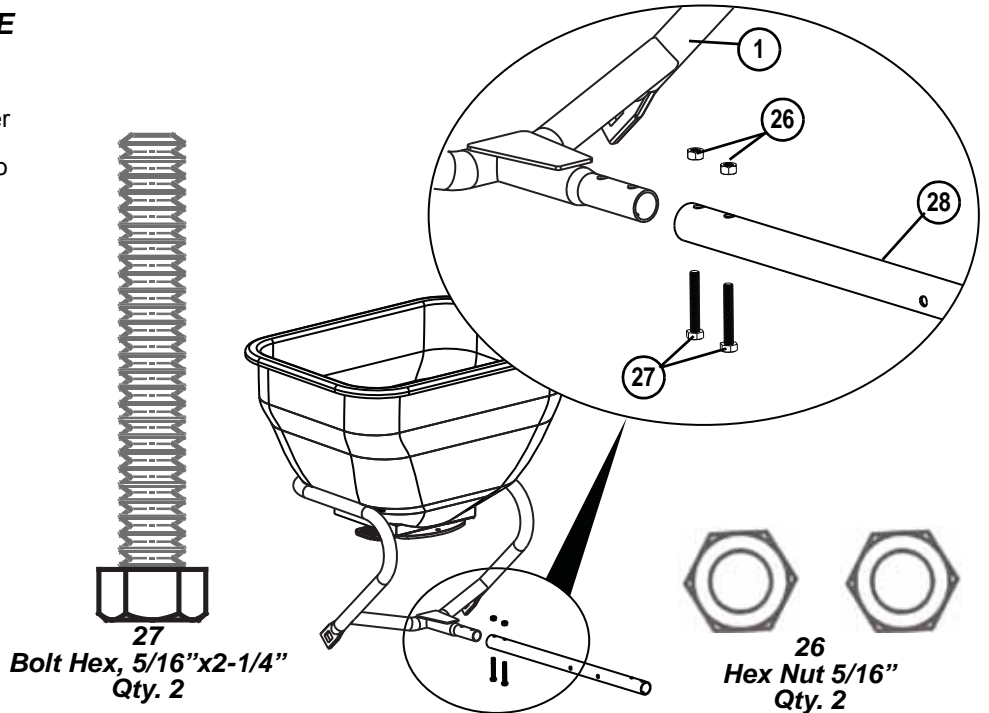


Figure 2. ATTACH TOW TUBE

- 2a. Attach Tow Tube (28) to the Hopper Support (1)1b. Secure using two 5/16"x2-1/4" Hex Bolts (27) and two 5/16"-18 Hex Nuts (26).

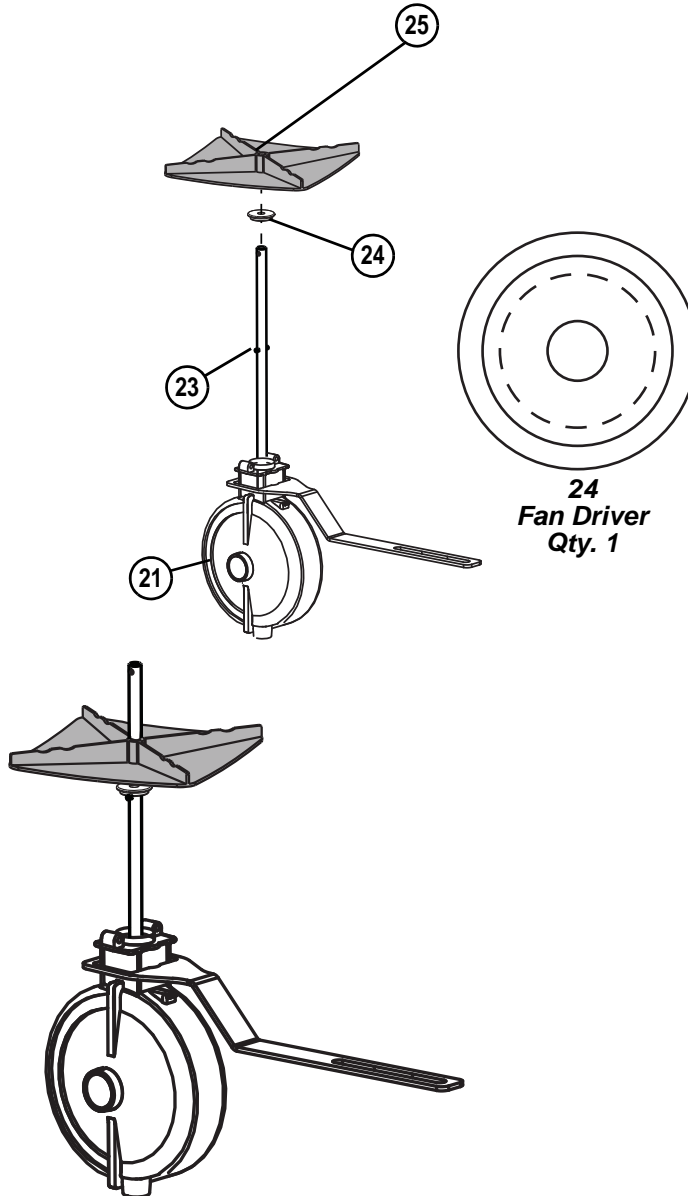


ASSEMBLY

Figure 3. ASSEMBLY FAN TO TRANSMISSION

3a. Slide the Fan Driver (24) and Fan (25) on to the shaft of the Transmission Assembly (21) until both reach the Pin Spring (23)

Note: This is for pre-assembly only. Final adjustment of the fan is made later.



ASSEMBLY

Figure 4. INSTALL TRANSMISSION & AXLE

4a. Maneuver the transmission assembly (21) shaft into the center hole of the Hopper Assembly (2). Ensure that the slot of the transmission brace rests on top of the two tow tube hex nuts previously installed in Figure 2, as shown.

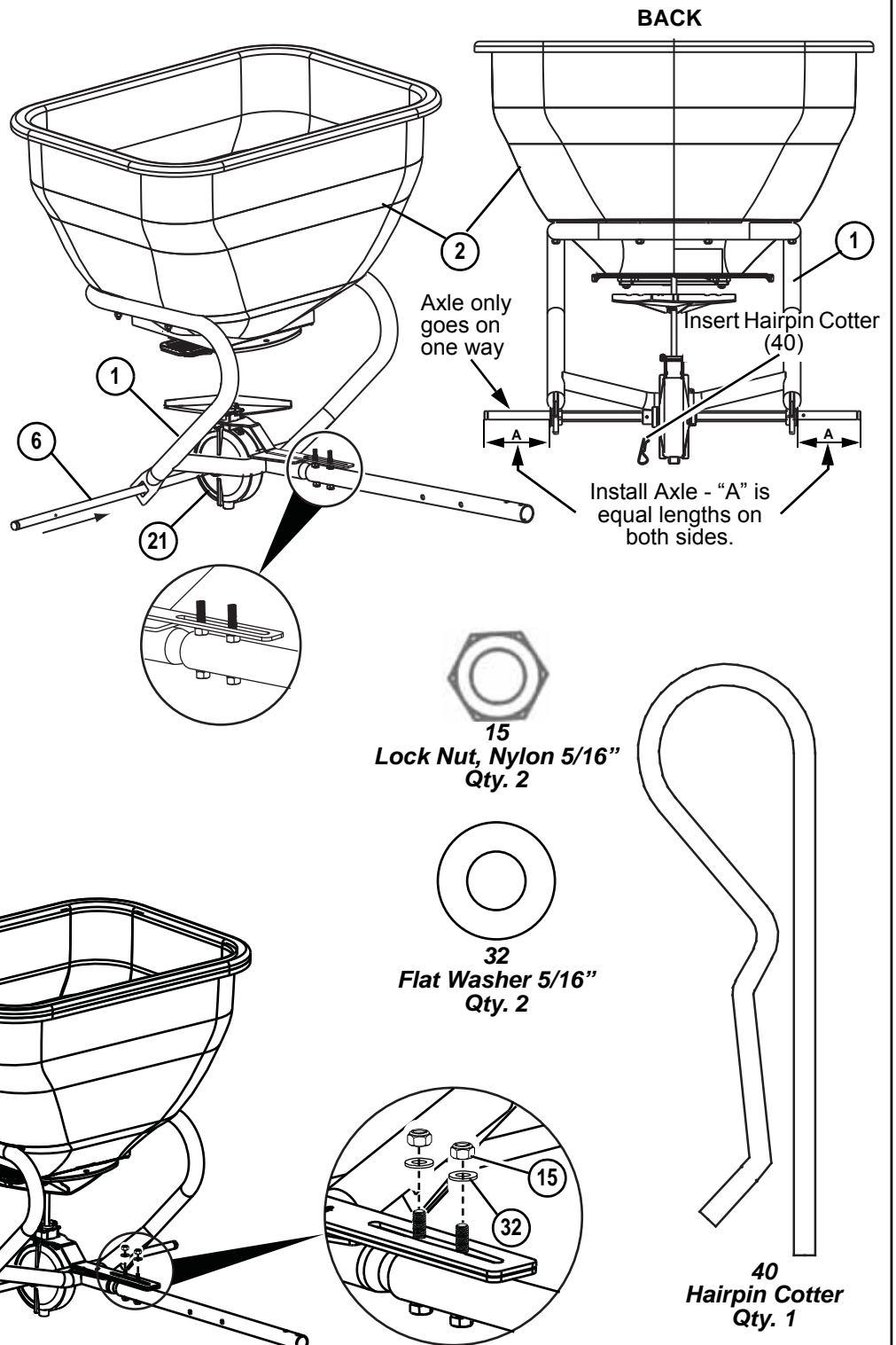
Note: Failure to install the transmission bracket correctly may void the warranty.

4b. Insert Axle (6) through both Hopper Support (1) square openings and through center of transmission assembly (21), as shown.

Note: The axle needs to be installed as shown in order to engage the transmission assembly.

4c. Rotate the axle to line up the hole with the hole in Transmission assembly hub and insert Hairpin Cotter (40)

4d. Secure the transmission brace by attaching two 5/16" Flat Washers (32) and two Nylon Lock Nuts (15), then tighten.



ASSEMBLY

Figure 5. INSTALL WHEELS

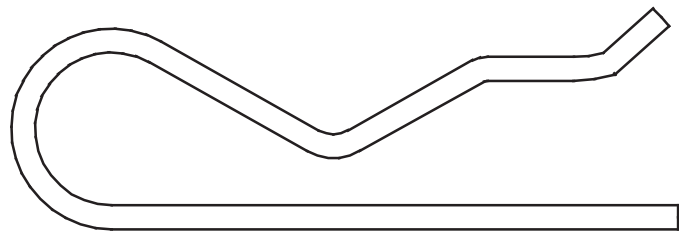
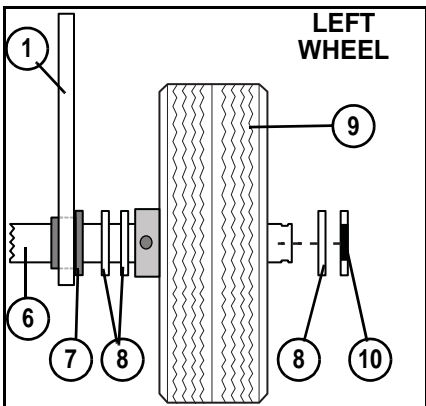
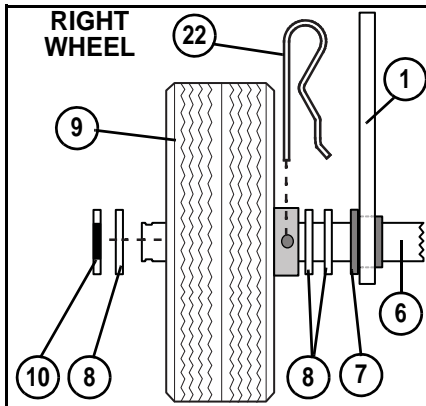
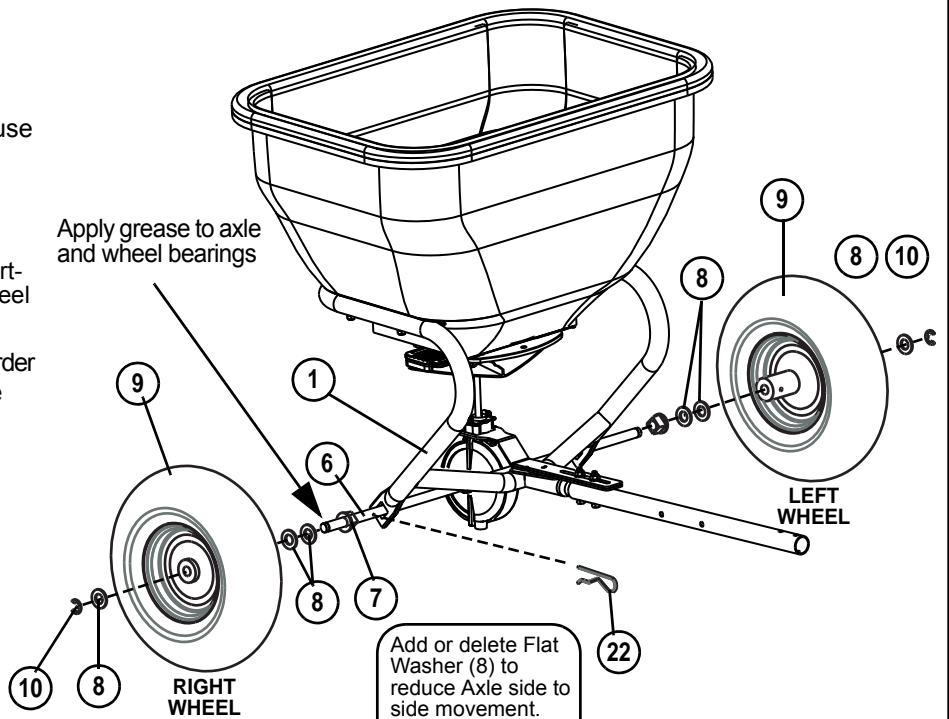
5a. Attach each Wheel (9) to the Axle (6) using hardware in the following order:

- One Axle Bearing (7)
- One or two Flat Washer 5/8" (8) - use 1 or two as needed.
- One Wheel (9)
- One Flat Washer 5/8" (8)
- One E-Type Snap Ring (10)

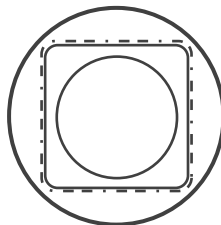
5b. Secure Axle to the right wheel by inserting Hairpin Cotter (22) through the wheel hub and axle.

Note: The axle may need to be turned in order to line up the hole in the axle with the hole through the wheel hub.

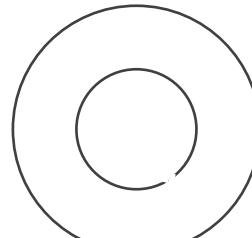
Apply grease to axle and wheel bearings



22
Hairpin Cotter
Qty. 1



15
Axle Bearing
Qty. 2



8
Flat Washer 5/8"
Qty. 6

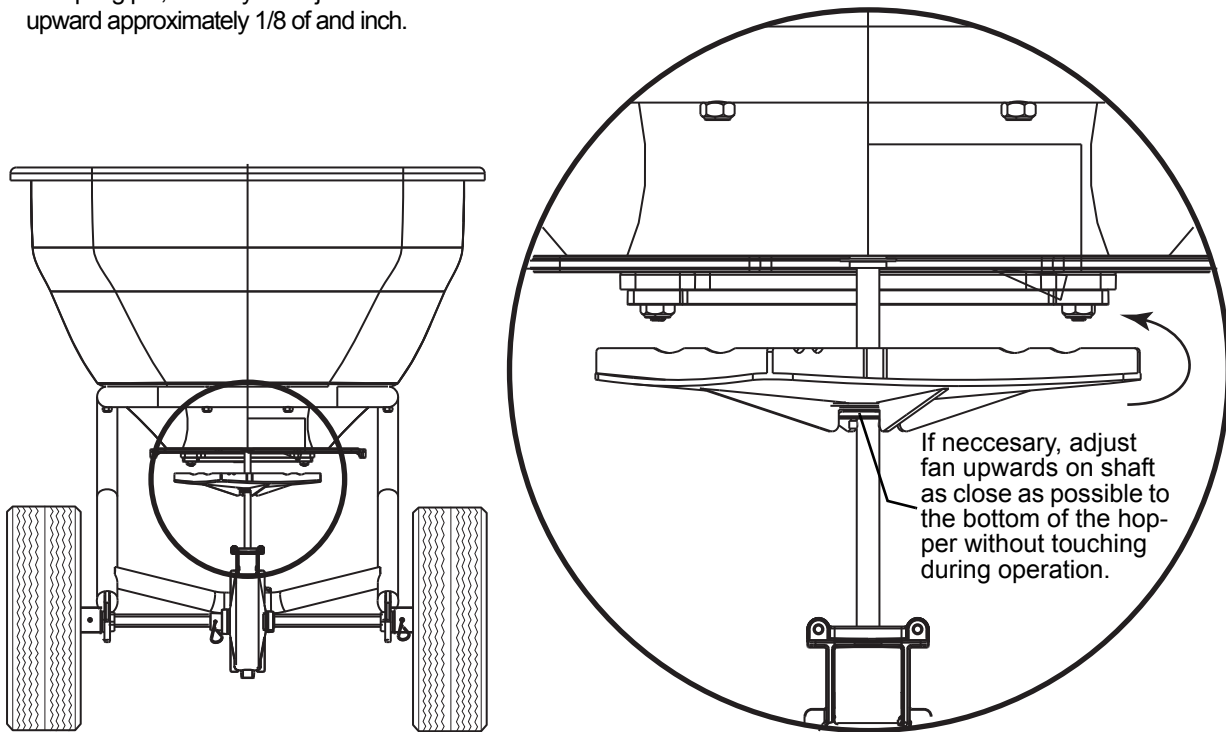


10
Snap Ring E-Type
Qty. 2

Figure 6. FAN ADJUSTMENT

6a. Adjust fan upwards on shaft as close as possible to the bottom of the hopper without touching during operation.

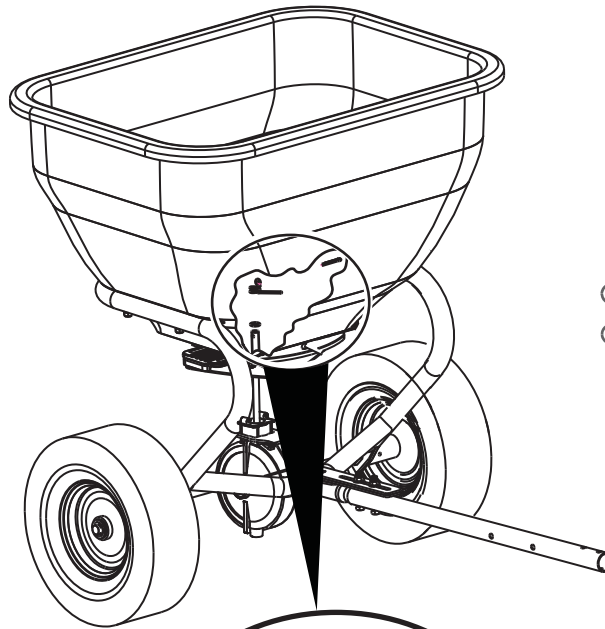
Note: The fan and fan driver normally rests on the spring pin, but may be adjusted upward approximately 1/8 of an inch.



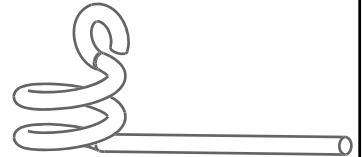
ASSEMBLY

Figure 7. INSTALL AGITATOR

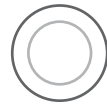
- 7a. Place O-Ring (20) over transmission shaft. Slide down to hopper bottom to create seal.
- 7b. Slide Agitator Spring (20) over transmission shaft.
- 7c. Insert Cotter Pin (18) through hole at top of transmission shaft. Flair ends to keep in place, as shown.



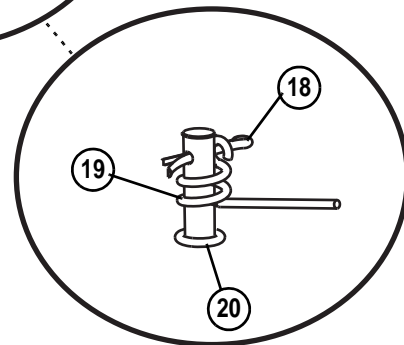
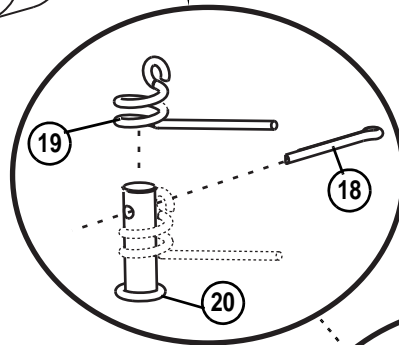
**18
Cotter Pin, 1/8"x1"
Qty. 1**



**19
Agitator Spring
Qty. 1**



**20
O-Ring 3/8"
Qty. 1**



ASSEMBLY

Figure 8. INSTALL CLEVIS

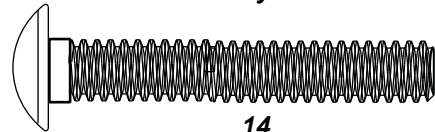
- 8a. Attach the upper and lower Clevis (17) halves to the Tow Tube (28). Secure with two 5/16"x2" Carriage Bolts (14) and two 5/16" Nylon Hex Nuts (15), as shown.
- 8b. Insert 1/2"x2-1/2" Hitch Pin in to Clevis and secure using Hairpin Cotter (16), as shown.



13
Hitch Pin 1/2" x2-1/2"
Qty. 1



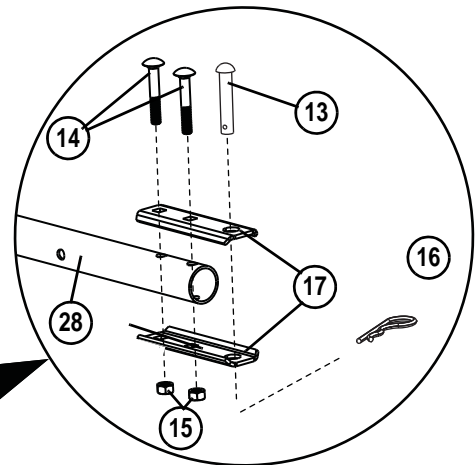
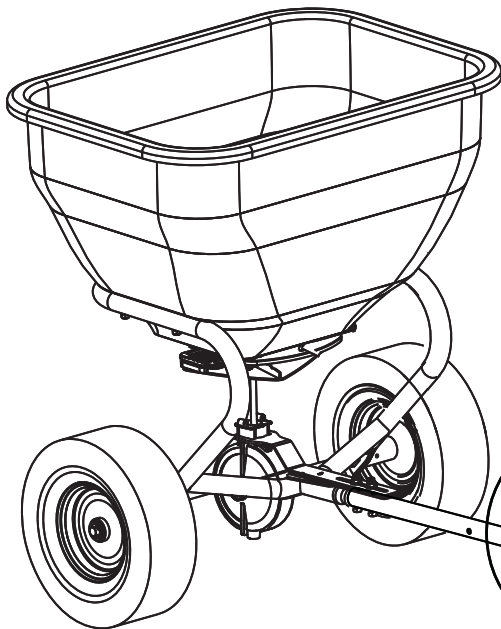
16
Hairpin Cotter 1/8"
Qty. 1



14
Carriage Bolt 5/16"x2"
Qty. 2



15
Nylon Lock Nut 5/16"
Qty. 2



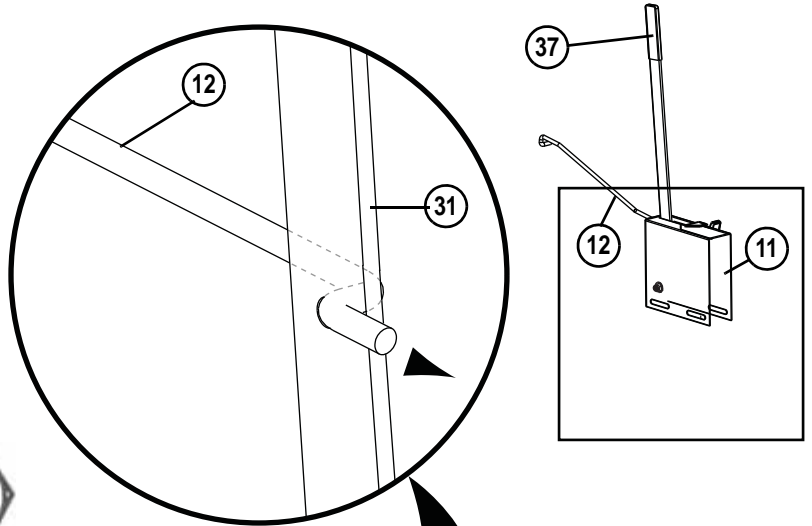
ASSEMBLY

Figure 9. ASSEMBLE GAGE PLATE

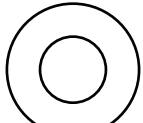
- 9a. Insert Stop Handle (31) through slot opening at the top of the Gauge Plate (11).
- 9b. Insert the 'S' shaped end of Link Rod (12) through the upper hole of the Flow Control Handle (31).
- 9c. Assemble Flow Control (31) to Gage Plate (11) as shown, using hardware provided:
- One 5/16"x2-3/4" Hex Bolt (36)
 - Two 5/16" Flat Washers (32)
 - One Latch Spacer (35)
 - Two Special Washers (33)
 - One Spring (34)
 - One 5/16" Hex Nut (15)

Note: See graphic inset below for hardware orientation.

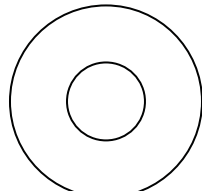
- 9d. Attach Handle Stop (30) and Knob (29) as shown, using hardware provided:
- One 5/16"x3/4" Carriage Bolt (41)
 - One Crvd Washer. (39).
- 9e. Slide Flat Grip (37) on end of Flow control Handle (31).



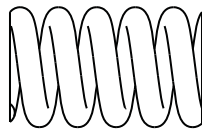
15 Hex Nut 5/16"
Qty. 1



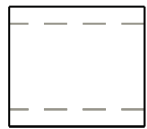
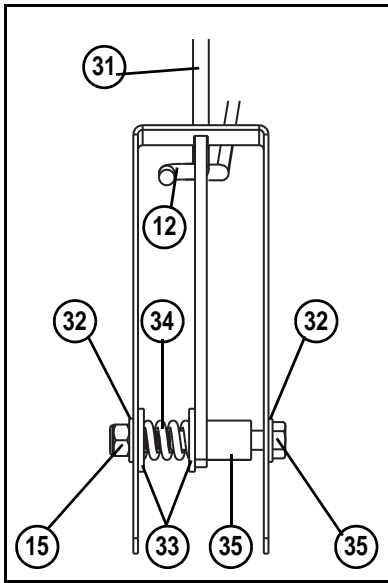
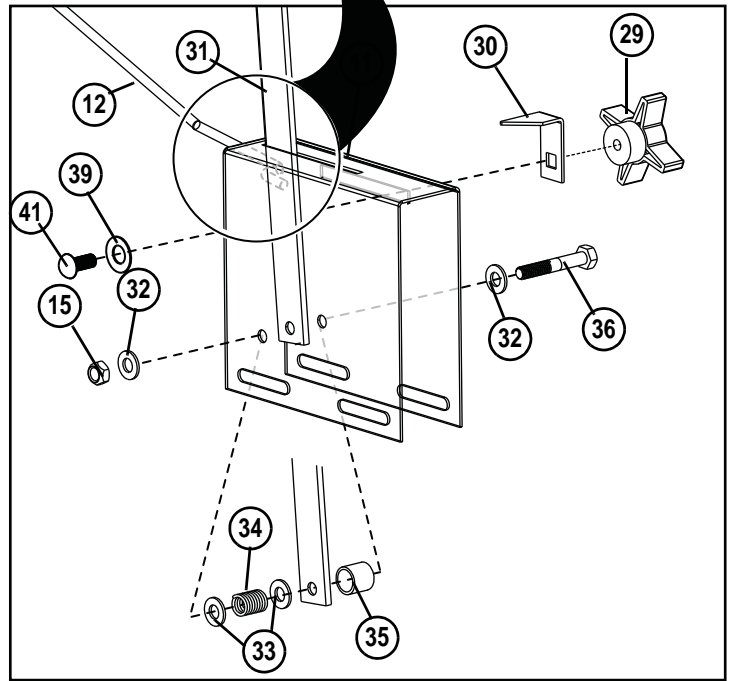
32 Washer 5/16"
Qty. 2



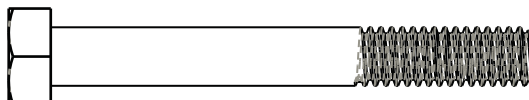
34 Washer Special
Qty. 2



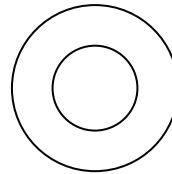
34 Spring
Qty. 1



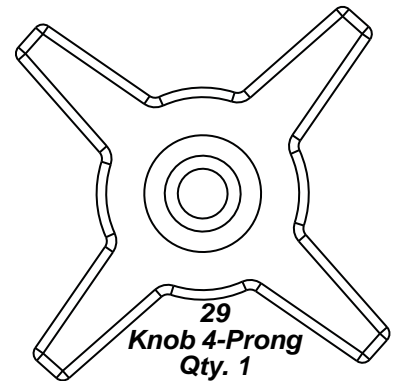
35 Spacer, Latch
Qty. 1



36 5/16"x2-1/4" Hex Bolt
Qty. 1



39 Washer Crvd
Qty. 1



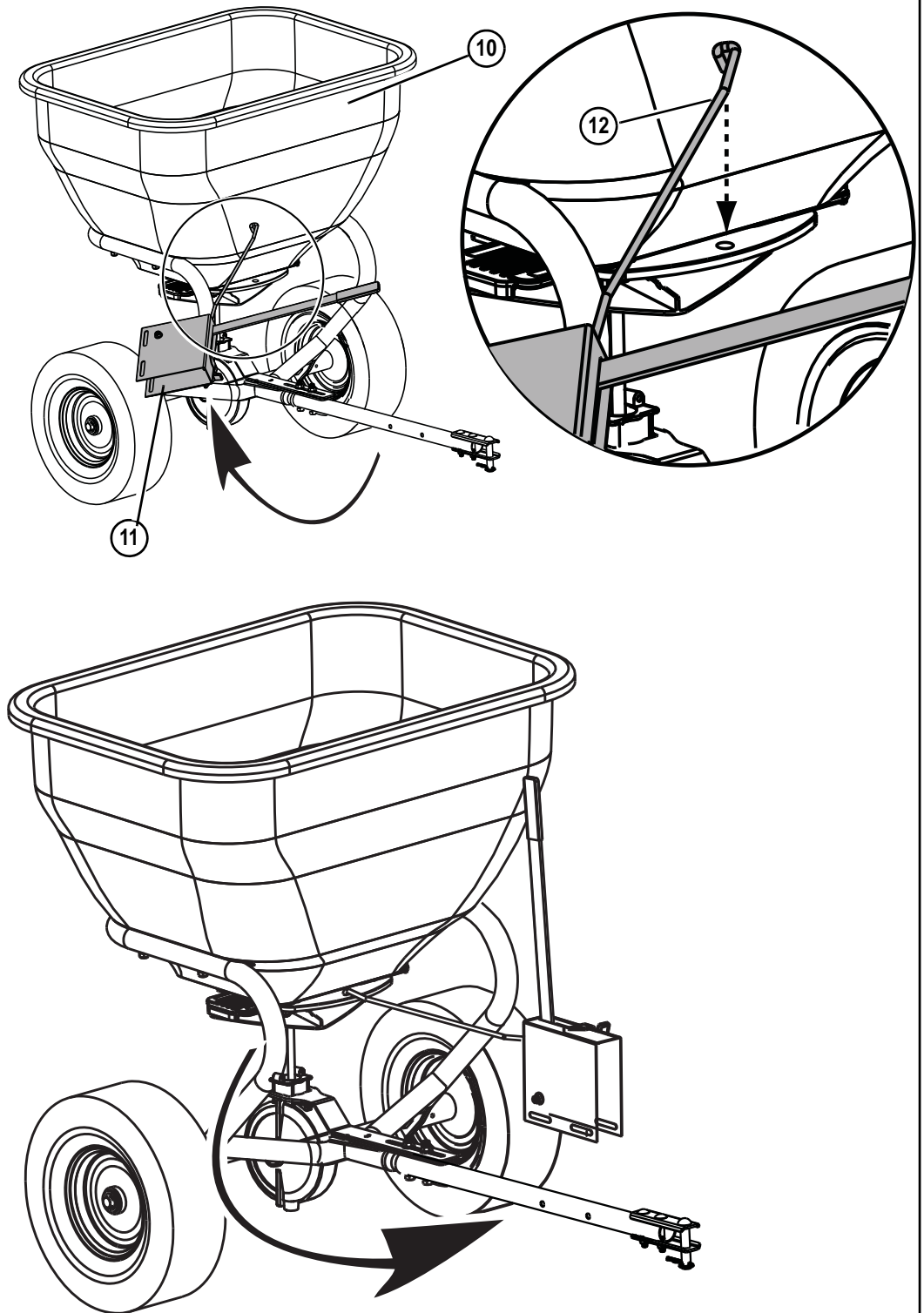
29 Knob 4-Prong
Qty. 1

ASSEMBLY

Figure 10a. ATTACH GAGE PLATE TO SPREADER

10a. Rotate assembled Gage Plate (11) approximately 90° clockwise and insert formed end of the of the Link Rod (12) in to the hole provide on the Hopper (10) control plate, as shown.

10b. Rotate Gage Plate counter-clockwise until the handle is oriented upward and the bottom of the Gage Plate is over the Tow Tube (28).



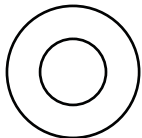
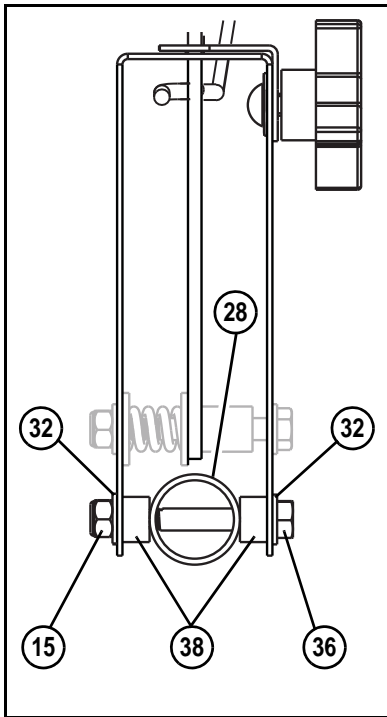
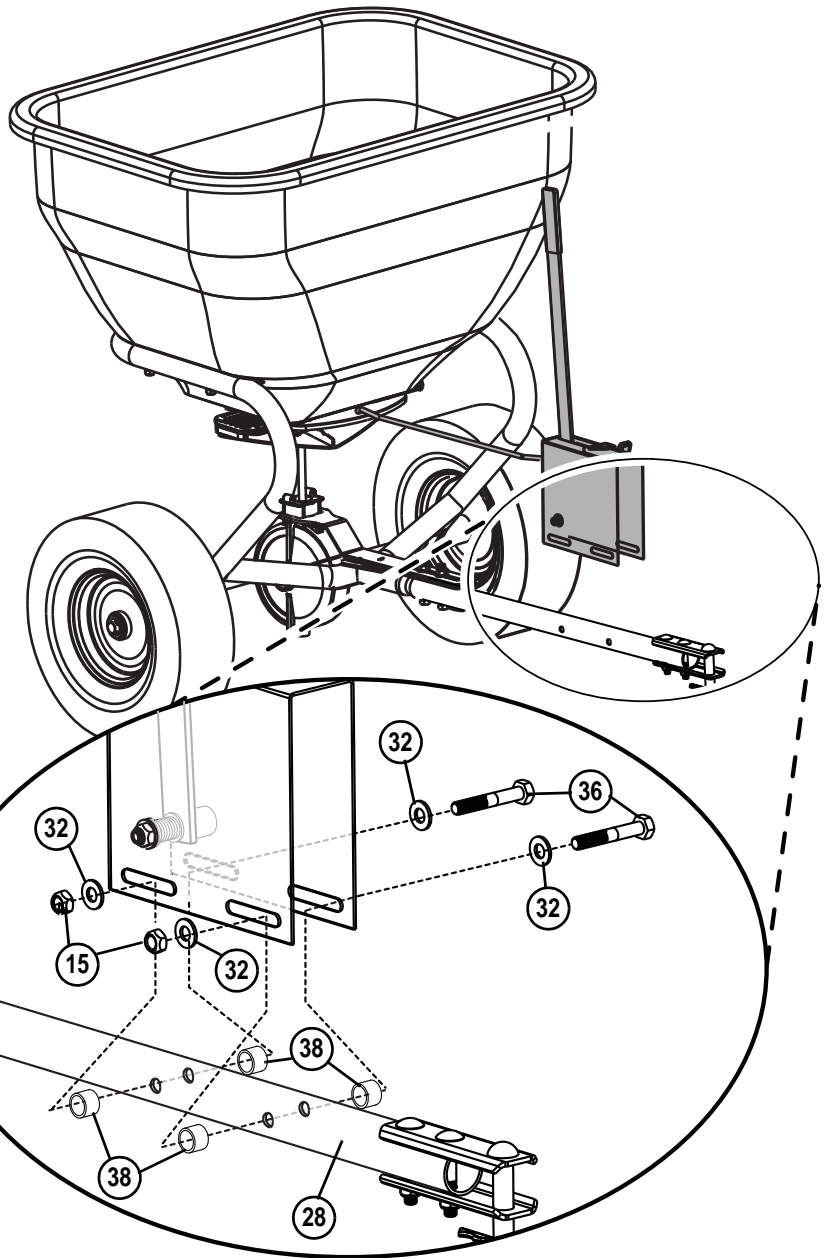
ASSEMBLY

Figure 10b. ATTACH GAGE PLATE TO SPREADER

10c. Attach the Gage Plate to the Tow Tube (28) as shown, using hardware provided: Do tighten the hex nuts until after calibrating the gage plate.

- Two 5/16"x2-3/4" Hex Bolt (36)
- four 5/16" Flat Washers (32).
- Four Pivot Bushings (38).
- Two 5/16" Hex Nuts (15).

Note: See graphic inset below for hardware orientation.



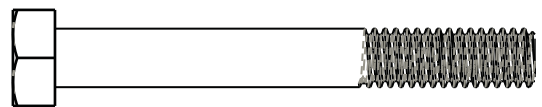
32
Washer, 5/16"
Qty. 4



38
Bushing, Pivot
Qty. 4



15
Hex Nut 5/16"
Qty. 2



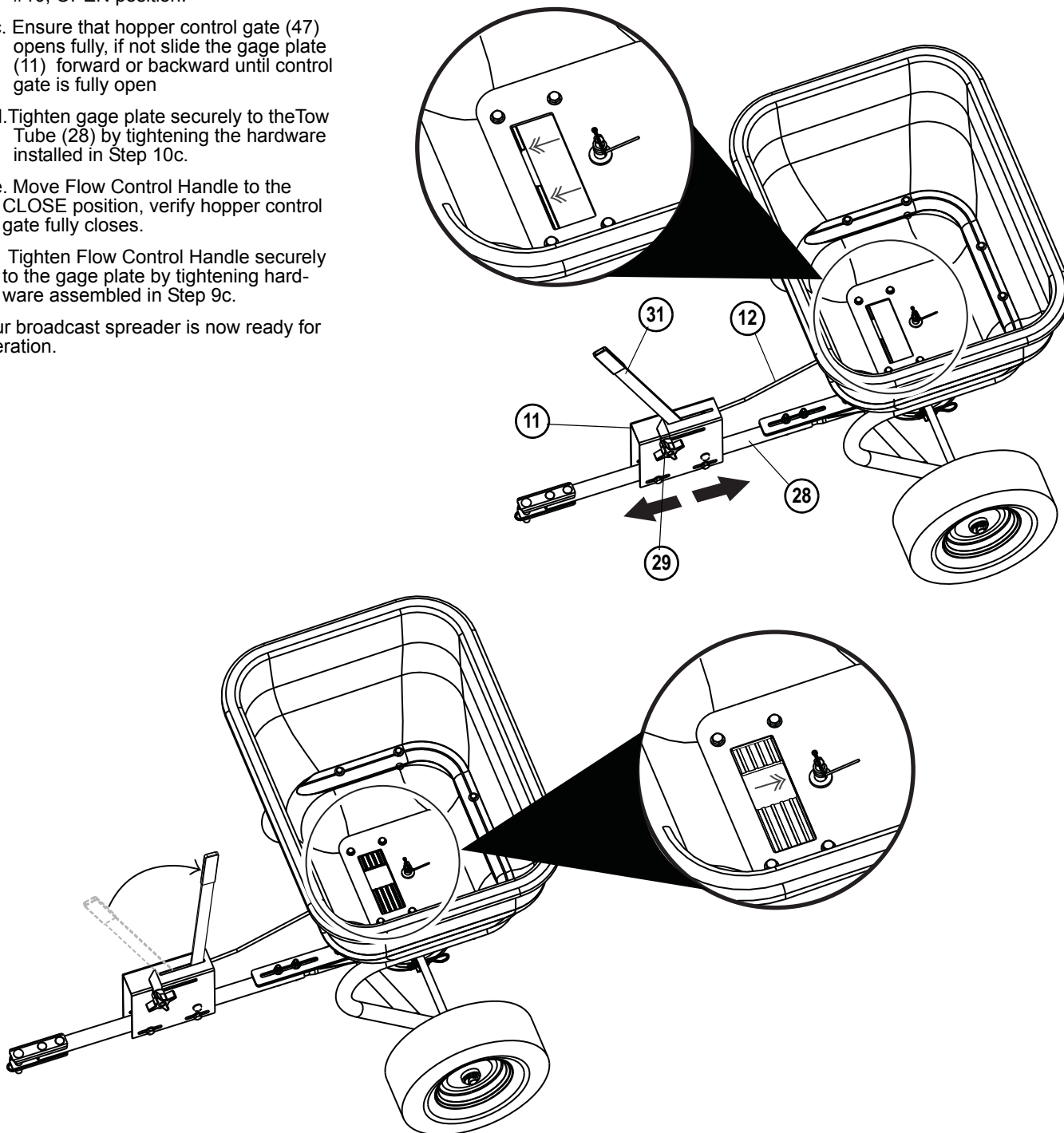
36
5/16"x2-1/4" Hex Bolt
Qty. 2

CALIBRATION

Figure 11. CALIBRATE GAGE PLATE

- 11a. Loosen the knob (29) and move to the #10, OPEN position, retighten.
- 11b. Move Flow Control Handle (31) to the #10, OPEN position.
- 11c. Ensure that hopper control gate (47) opens fully, if not slide the gage plate (11) forward or backward until control gate is fully open
- 11d. Tighten gage plate securely to the Tow Tube (28) by tightening the hardware installed in Step 10c.
- 11e. Move Flow Control Handle to the CLOSE position, verify hopper control gate fully closes.
- 11f. Tighten Flow Control Handle securely to the gage plate by tightening hardware assembled in Step 9c.

Your broadcast spreader is now ready for operation.



OPERATION

Operation

The Fan speed and the spread width are controlled by the speed of the vehicle. The recommended operating speed is slightly faster than that of a brisk walk, approximately 3 MPH (equal to the vehicle traveling 40 ft. in 9 seconds).

The Gage Plate Assembly operates the Flow Control Gate. The Gage Plate is marked from 0 (closed) to 10 (fully open). The position selected determines the amount of material to be broadcast. The higher the number, the heavier the application of material. Flow Control settings for many of the common fertilizers, insecticides, and grass seeds are provided in Table 1.

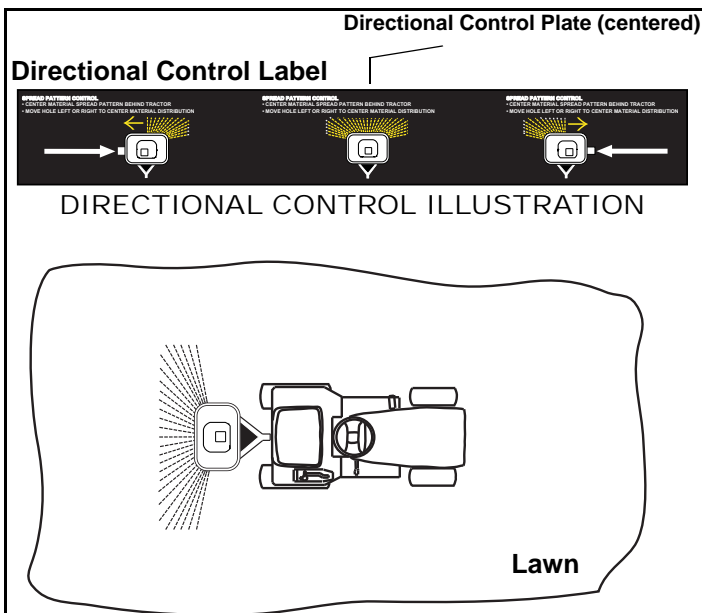
If the material is not listed in Table 1, then use the calibration table found on the decal provided on the hopper.

After determining the correct setting number for your material, move the Flow Control Handle to that position. Lock the handle in place by moving the Handle Stop to that position and tighten knob.

DIRECTIONAL CONTROL - NORMAL OPERATION

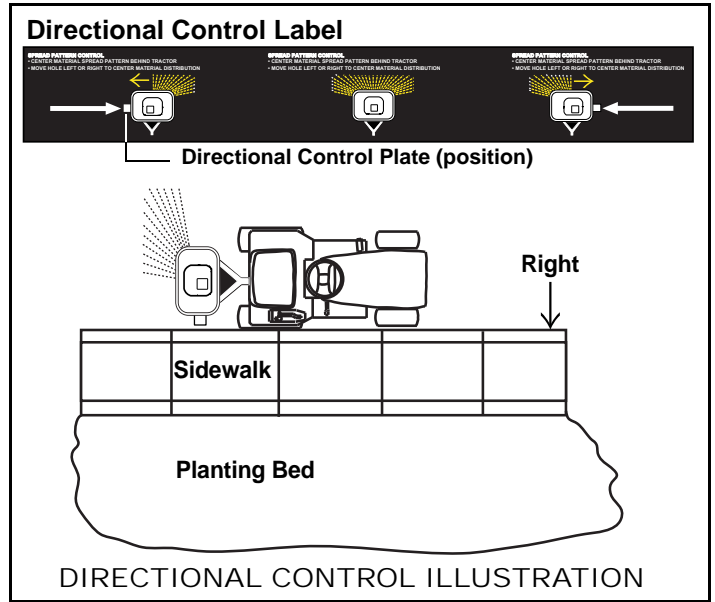
Fertilizers, Insecticides, and Grass Seed each have different particle size and weight. This can be referred to as particle density. As the particles are impacted by the fan, the distribution can be centered or slightly off center depending on particle density and forward vehicle speed.

Adjustment can be made by moving the Direction Control Handle to the RIGHT or LEFT. The directional decal located below the Directional Control Plate handle will aid you in adjusting the spread pattern. For most applications the handle should be placed close to the center position described by the label below. If the material is coming out right or left during operation, adjustment of this lever should be made to center the material distribution pattern behind the vehicle. Your broadcast spreader has a patented feature to allow you to adjust for centering.



DIRECTIONAL CONTROL - ONE SIDE ONLY SPREADING

The directional control plate can be used for adjusting the material spread pattern when spreading near sidewalks, planting beds, etc. Slide the directional control plate to the desired position to control material flow for the spreader. The hopper decal illustrates the direction control coverage. The directional control plate only operates with 90% shut-off of material to the right side or left side of the vehicle as shown in the illustration below.



OPERATING TIPS

Do not load the hopper with more than the maximum weight capacity of 175 pounds

Break up any lumps as you fill the Hopper.

Do not use on windy days, especially when spreading fine grass seed or herbicides.

MAINTENANCE

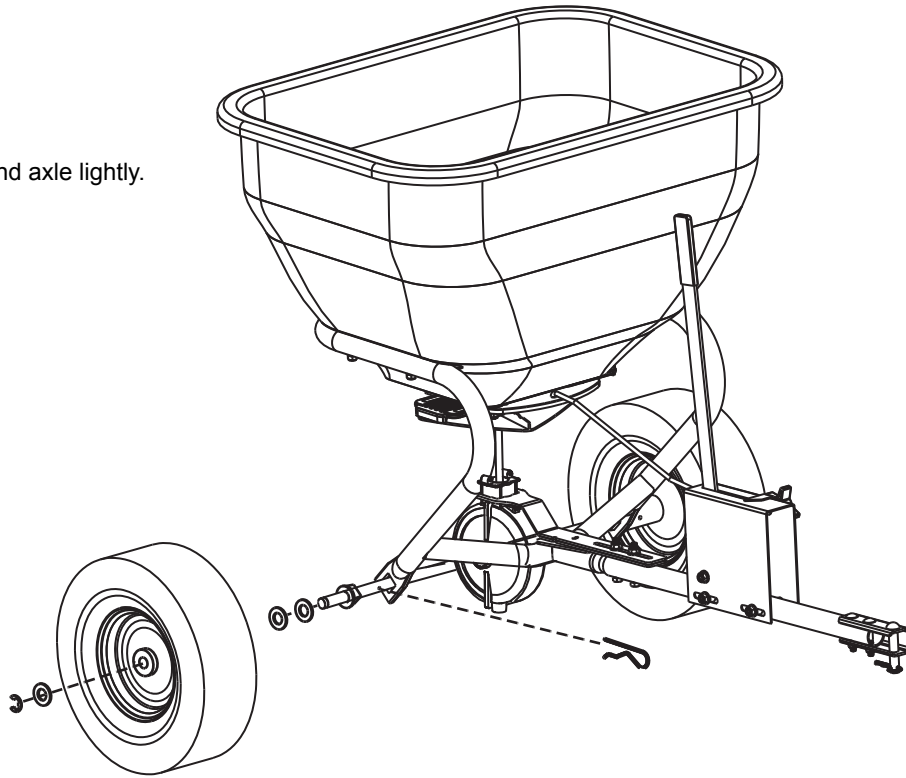
The key to years of trouble-free service is to keep your Spreader clean and dry.

- Never allow material to remain in Hopper for extended periods of time.
- Should rust develop, sand lightly and then paint area with enamel.
- Periodically check all fasteners for tightness.
- Rinse/dry inside and outside of spreader after each use. Move Flow Control as you rinse to avoid build up of material.

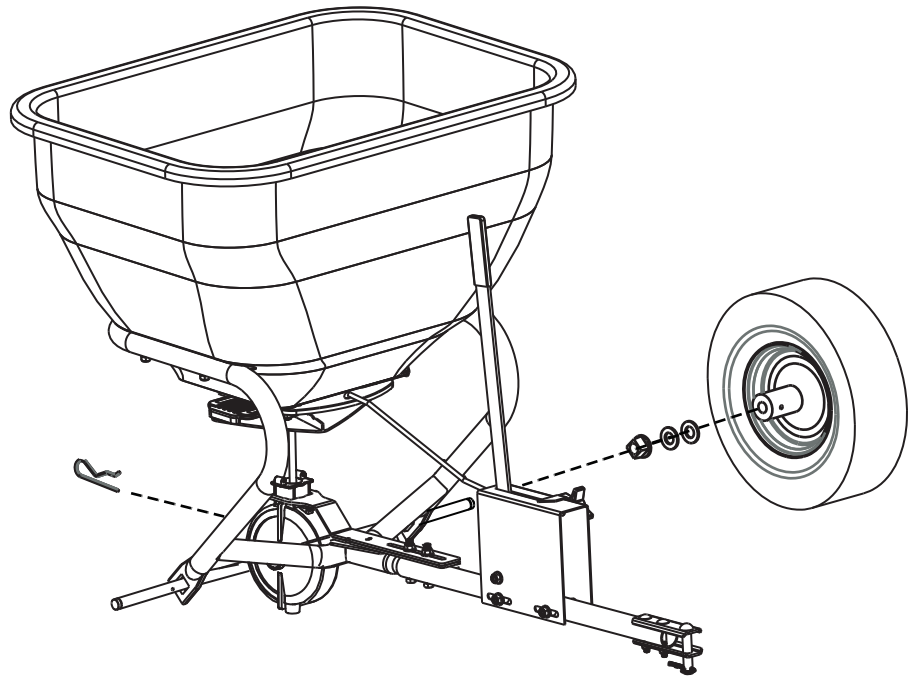
ANNUAL MAINTENANCE

Figure 12.

1. Remove Wheels
2. Clean Parts
3. Lubricate bearings and axle lightly.



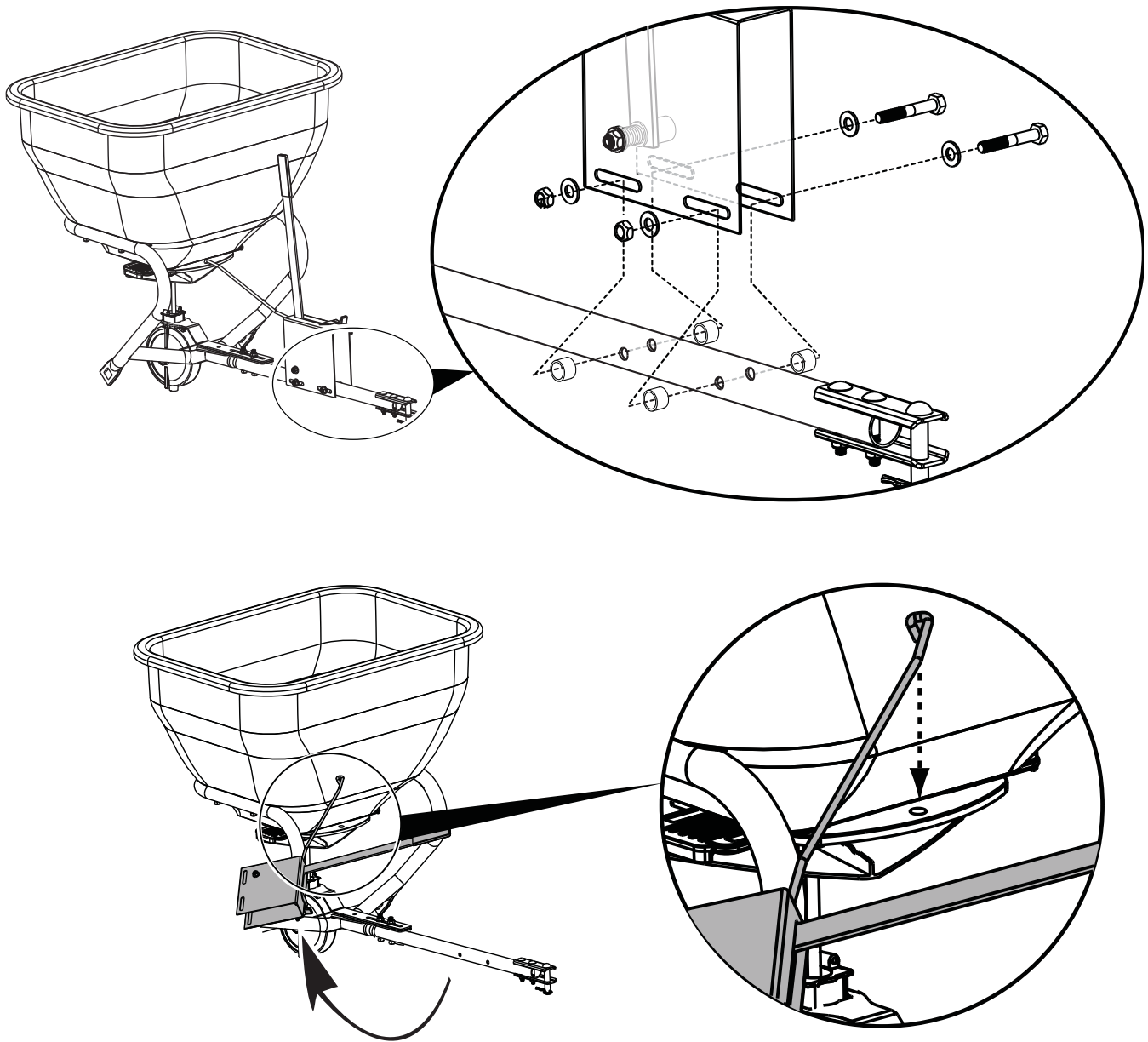
4. Remove cotter from transmission housing
5. Remove axle



ANNUAL MAINTENANCE

Figure 13.

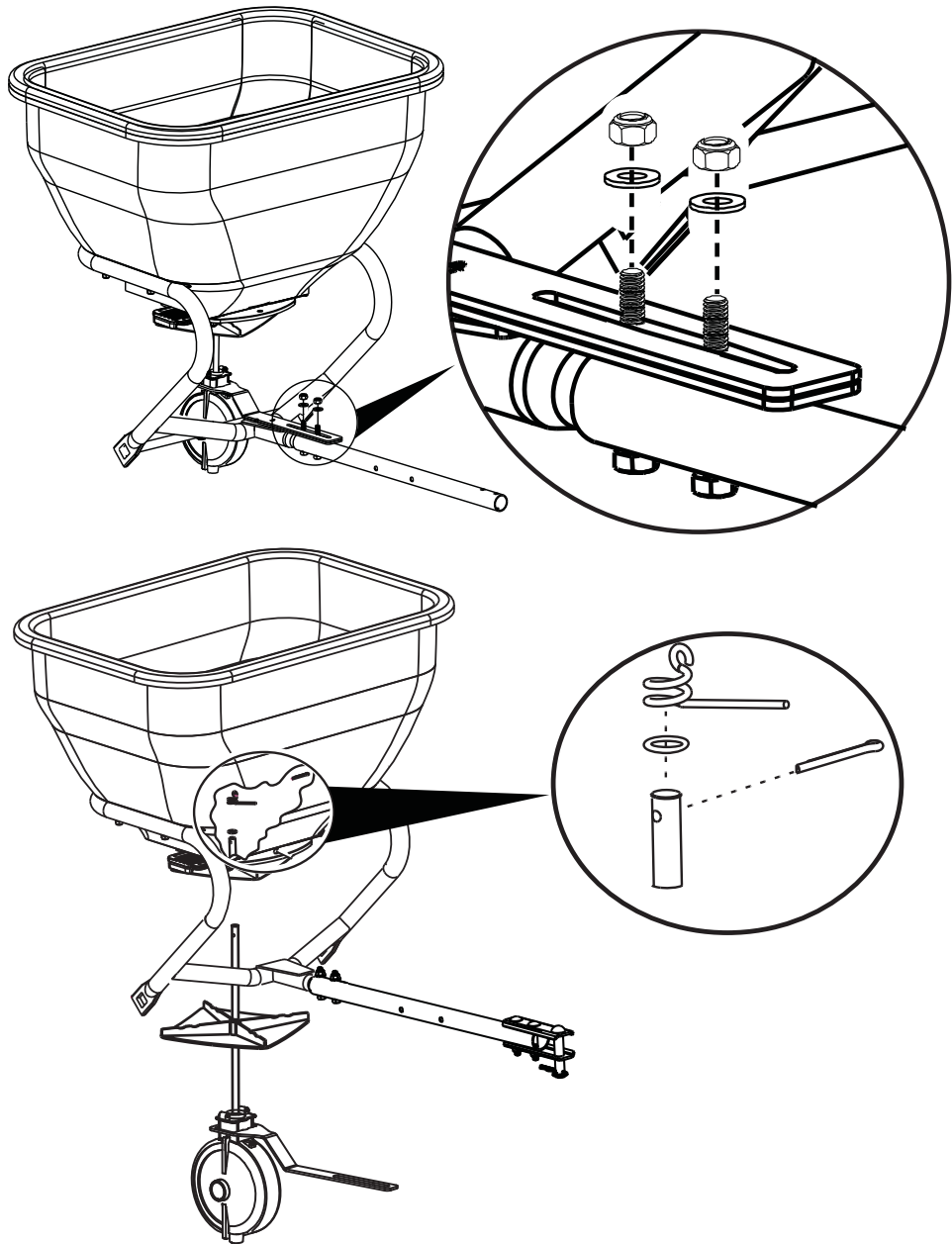
6. Remove Gage Plate.



ANNUAL MAINTENANCE

Figure 14.

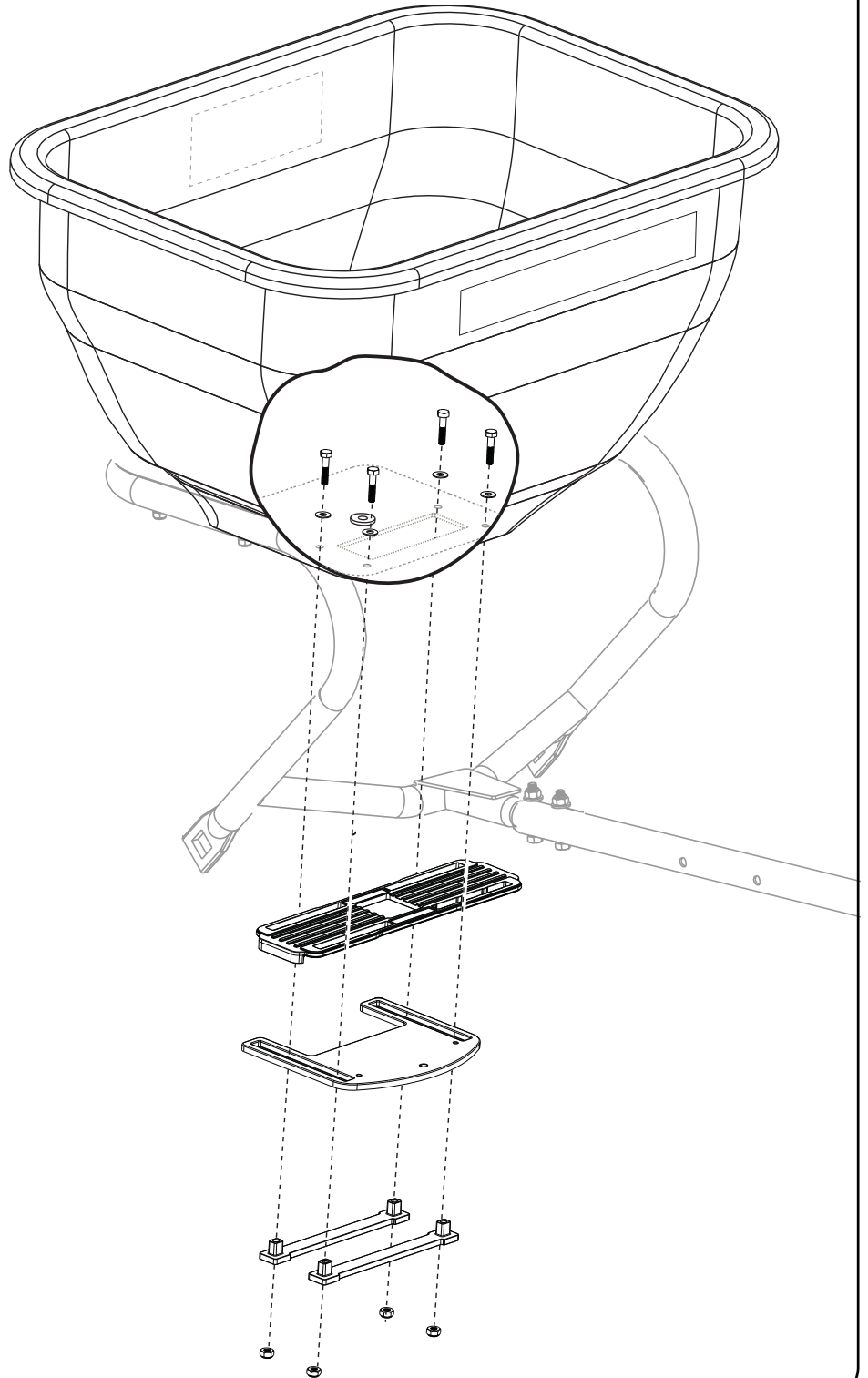
7. Remove transmission bracket.
8. Remove Transmission.
8. Clean Fan



ANNUAL MAINTENANCE

Figure 15.

10. Remove the 4 bolts that hold the Gate and Directional Control Plate.
11. Separate parts, as shown.
12. Clean parts thoroughly with soap and water.



MEDIA FLOW SETTINGS

FLOW SETTINGS

The Table 1 is a list of flow control settings for specific products available for use with the spreader.

Some products may not be available in all areas.

Flow control settings are based on 3 mph forward speed.



CAUTION: Avoid injury! Chemicals can be dangerous. Avoid injury to operator or bystanders:

- Read chemical container label for mixing and handling instructions. A Material Safety Data Sheet (MSDS) should be supplied by the chemical dealer and provides proper safety information.
- Wear proper clothing and safety equipment while handling or applying spray chemicals.
- Wear a full covering of clothing, protective goggles and rubber gloves.
- Prohibit all smoking, drinking, and eating around chemicals.
- When filling tank, never allow end of water hose to contact

Table 1: Flow Control Settings for Specific Fertilizer's, Insecticides, Grass Seeds

lbs/1000 sq. ft.	Flow Control Setting	Media
10	3	All American All Purpose Fertilizer 10-10-10.
3.8	2.5	Bayer Season Long Grub Control
2.9	2	Bayer Season Long Grub Control
3	2	Bayer Complete Insect Killer
2	1.5	Bayer Complete Insect Killer
3	1.5	Bayer Power Force Multi-Insect Killer
2	1	Bayer Power Force Multi-Insect Killer
3	1.5	Bayer Grub Control
2	1.5	Bayer Grub Control
3.2	2	Bayer Lawn Fertilizer Plus Weed Control II 30-3-4
3.8	2	Bayer Season Long Grub Control
2.9	1.5	Bayer Season Long Grub Control
3.6	2	Bayer Lawn Starter Fertilizer 20-27-5
3.2	2	Bayer Lawn Fertilizer Plus Crabgrass Preventer 30-3-4
3	2	Eliminator Ant, Flea, and Tick Killer Granules
2.5	1.5	Eliminator Ant, Flea, and Tick Killer Granules
2	1.5	Eliminator Ant, Flea, and Tick Killer Granules
2	2	Eliminator 5% Diazinon Insect Killer Granules
7	2.5	Howard Johnsons All-purpose Fertilizer 8-8-8
7	2.5	Howard Johnsons All-purpose Fertilizer 10-10-10
7	2.5	Howard Johnsons All-purpose Fertilizer 12-12-12-
5	2	Ironite 1-0-0
4	2	Klay Soft Pelletized Gypsum Soil Conditioner
3	1.5	Klay Soft Pelletized Gypsum Soil Conditioner
2	1.5	Klay Soft Pelletized Gypsum Soil Conditioner

MEDIA FLOW SETTINGS

Table 1: Flow Control Settings for Specific Fertilizer's, Insecticides, Grass Seeds (Cont'd)

lbs/1000 sq. ft.	Flow Control Setting	Media
4	2	Lesco Pre-M.86% Plus Fertilizer 25-0-7
4.2	2	Lesco Starter Fertilizer 18-24-12
4.2	2	Lesco Turf Fertilizer 24-2-11
4	2	Lesco Weed and Feed
8	3.5	Master Turf Ultimate Tall Fescue Blend
4	2.5	Master Turf Ultimate Tall Fescue Blend
8	3.5	Milogranite 6-2-0
16	5	Milogranite 6-2-0
3.2	2	Miracle-Gro Lawn Fertilizer plus Weed Control 28-3-3
3.6	2	Miracle-Gro Starter Lawn Fertilizer 20-27-5
3.1	1.5	Miracle-Gro Starter Lawn Fertilizer 29-3-4
9.6	3	Ortho Lawn Insect Killer Granules
4.8	2	Ortho Lawn Insect Killer Granules
2.4	1	Ortho Lawn Insect Killer Granules
1.2	1	Ortho Lawn Insect Killer Granules
4	2	Ortho Max Insect Killer for Lawns
2	1.5	Ortho Max Insect Killer for Lawns
1	1	Ortho Max Insect Killer for Lawns
10	3	Parkers Super Soilife Lawn & Garden Fertilizer 10-10-10
6.5	2	Parkers Super Soilife Lawn & Garden Fertilizer 16-4-8
3.6	2	Pennington Lawn Starter Fertilizer 18-24-6
10	4	Pennnigton Master Turf High Traffic Lawn Seed Mixture
5	3	Pennnigton Master Turf High Traffic Lawn Seed Mixture
8	4	Pennington Master Turf Shady Lawn Seed Mixture
4	3	Pennington Master Turf Shady Lawn Seed Mixture
10	4	Pennington Master Turf Sun & Shade Lawn Seed Mixture
5	3	Pennington Master Turf Sun & Shade Lawn Seed Mixture
2	1.5	Real-Kill Multi-Purpose Lawn and Garden Insect Killer
2.5	1.5	Real-Kill Multi-Purpose Lawn and Garden Insect Killer
10	4	Rebels Supreme Blend Grass Seed for Sun & Shade
5	3	Rebels Supreme Blend Grass Seed for Sun & Shade
10	4	Ringer Lawn Restore 10-2-6
12.3	4.5	Sam's Choice Crabgrass Preventer 30-3-4
8.1	3	Sam's Choice Crabgrass Preventer 30-3-4
6	3	Sam's Choice Crabgrass Preventer 30-3-4
5.4	2.5	Sam's Choice Crabgrass Preventer 30-3-4
3	1.5	Sam's Choice Insect Control Plus Fertilizer 28-4-6
3.2	2	Sam's Choice Lawn Food 29-3-4
6	3	Sam's Choice Starter Fertilizer 20-27-5
3.6	2	Sam's Choice Starter Fertilizer 20-27-5
4	3	Scotts Classic Grass Seed Fall Grass Seed Mix
2	2	Scotts Classic Grass Seed Fall Grass Seed Mix
2.3	1.5	Scotts Grubex

MEDIA FLOW SETTINGS

Table 1: Flow Control Settings for Specific Fertilizer's, Insecticides, Grass Seeds (Cont'd)

lbs/1000 sq. ft.	Flow Control Setting	Media
3.1	2	Scotts Grubex Season Long Grub Control
2.3	2	Scotts Grubex Season Long Grub Control
1.4	1.5	Scotts Lawn Fungus Control
2.7	2	Scotts Lawn Fungus Control
2.2	2	Scotts Pure Premium Kentucky Bluegrass Mix
1.1	1.5	Scotts Pure Premium Kentucky Bluegrass Mix
2.5	2	Scotts Pure Premium Sun & Shade Grass Seed Mixture
1.25	1.5	Scotts Pure Premium Sun & Shade Grass Seed Mixture
3.6	2	Scotts Starter Fertilizer 20-27-5
5.9	2	Scotts Starter Fertilizer 20-27-5
2.7	2	Scotts Turf Builder 28-3-8
3.1	1.5	Scotts Turf Builder Lawn Fertilizer 29-3-4
2.7	2	Scotts Turf Builder with Summer Guard
2.9	2	Scotts Turf Builder Plus Weed Control
3.3	1	Scotts Winterizer 22-4-1
4.6	2	Sevin Lawn Insect Granules
2.33	2	Sevin Lawn Insect Granules
2.25	2	Sevin Lawn Insect Granules
3	2	Spectracide Grub Stop
3	1	Spectracide Triazicide Insect Killer Granules
3.6	2	Sta-Green Lawn Fertilizer 29-2-5
2	1.5	Sta-Green Lawn Weed Control
3.2	2	Sta-Green 200 Plus Weed & Feed 28-3-3
3.6	2	Sta-Green Starter Fertilizer 18-24-10
3.2	2	Sta-Green Weed & Feed 28-2-4
10	4	Sun & Shade Grass Seed Mixture
5	3	Sun & Shade Grass Seed Mixture
3	1	Vigoro Insect Control Plus Fertilizer
3.6	2	Vigoro Starter Fertilizer
3.2	2	Vigoro Turf Fertilizer 29-3-4
3	1.5	Vigoro Ultra Truf Winterizer 22-3-14
3.2	2	Vigoro Weed and Feed
4	3	Wal Mart Gardens Kentucky Bluegrass Grass Seed
2	2	Wal Mart Gardens Kentucky Bluegrass Grass Seed
8	4	Wal Mart Gardens Kentucky 31 Tall Fescue
4	3	Wal Mart Gardens Kentucky 31 Tall Fescue
3.2	2	Wal Mart Weed & Feed 28-3-3

Note: If the product you are using is not listed in the flow control setting table, use the this calibration guide located on the hopper decal of the spreader to set the flow control.

Using application information on product package, find the calibration setting on the hopper decal and set flow control lever.

TROUBLESHOOTING

Table 2: Troubleshooting - Spreading Difficulties & Remedies

PROBLEM	CAUSE/CONDITON	REMEDY
Too much/not enough material dispensed.	Gage Plate not calibrated	Insure Gage Plate is properly calibrated, (Refer to Figure 11).
Flow Control Handle hard to operate or won't move	Gate(47) and directional control plate(46) clogged with material.	Remove and clean the Gate and Directional Control Plate with soap and water, (Refer to Figure 12 through Figure 15).
Fan does not turn when towing spreader.	Drive hairpin cotter (22) not properly inserted through Wheel hub (9) hub and axle (6.)	Install or replace missing hairpin cotter, (Refer to Figure 5)
	Transmission cotter pin (40) missing or not properly inserted through transmission hub (21) hub and axle (6)	Install or replace missing cotter pin through transmission hub (21) hub and axle (6), (Refer to Figure 4).
	Fan (25) hits bottom of hopper gate (47) and directional control plate (46).	Adjust fan to clear hopper gate and directional control plate, (Refer to Figure 6).
	Fan (25) slips on transmission shaft (21).	Install Fan Driver (24) so that the four fan gussets on the bottom of the fan compresses the fan driver.
	Transmission malfunction	With the broadcast spreader attached to your machine lift the drive wheel and rotate. At the same time apply gentle pressure to the fan shaft. It should turn with each rotation of the wheel.

SPECIFICATIONS

Dimensions

Size (maximum tow weight) 79 kg (175 lbs).

Capacity 0.10 cu m (3.5 cu ft).

Tires

Size 13 x 5

Inflation Pressure 20 psi

GETTING QUALITY SERVICE

Quality Continues with Quality Service

We provide a process to handle your questions or problems.

Follow the steps below to get answers to any questions you may have about your product.

1. Refer to your attachment and machine operator manuals.
2. In North America or Canada, call 1-877 728-8224 and provide product serial number (if available) and model number.

**MANUFACTURER'S LIMITED WARRANTY
FOR**



Pull Behind Accessories

The limited warranty set forth below is given by Brinly-Hardy Company with respect to new merchandise purchased and used in the United States, its possessions and territories.

Brinly-Hardy Company warrants the products listed below against defects in material and workmanship, and will at its option, repair or replace, free of charge, any part found to be defective in materials or workmanship. This limited warranty shall only apply if this product has been assembled, operated, and maintained in accordance with the Operator's manual furnished with the product, and has not been subject to misuse, abuse, commercial use, neglect, accident, improper maintenance, alteration, vandalism, theft, fire, water, or damage because of other peril or natural disaster.

Normal Wear Parts or components thereof are subject to separate terms as follows: All normal wear parts or component failures will be covered on the product for a period of 90 days.

Parts found to be defective within the warranty period will be replaced at our expense. Our obligation under this warranty is expressly limited to the replacement or repair, at our option, of parts found to be defective in material and workmanship.

HOW TO OBTAIN SERVICE: Warranty parts replacements are available, ONLY WITH PROOF OF PURCHASE, through our Pull Behind Accessories Customer Service Department. Call 877-728-8224.

This limited warranty does not provide coverage in the following cases:

- a) Routine maintenance items such as lubricants and filters.
- b) Normal deterioration of the exterior finish due to use or exposure.
- c) Transportation and/or labor charges.
- d) The warranty does not include commercial and/or rental use.

No implied warranty, including any implied warranty of merchantability of fitness for a particular purpose, applies after the applicable period of express written warranty above as to the part as identified below. No other express warranty whether written or oral, except as mentioned above, given by any person or entity, including a dealer or retailer, with respect to any product, shall bind Brinly-Hardy Co. During the period of the warranty, the exclusive remedy is repair or replacement of the product as set forth above.

The provisions as set forth in this warranty provide the sole and exclusive remedy arising from the sale. Brinly-Hardy Co. shall not be liable for incidental or consequential loss or damage including, without limitation, expenses incurred for substitute or replacement lawn care services or for rental expenses to temporarily replace a warranted product.

Some states do not allow the exclusion or limitation of incidental or consequential damages, or limitations on how long an implied warranty lasts, so the above exclusions or limitations may not apply to you.

During the warranty period, the exclusive remedy is replacement of the part. In no event shall recovery of any kind be greater than the amount of the purchase price of the product sold. Alteration of safety features of the product shall void this warranty. You assume the risk and liability for loss, damage, or injury to you and your property and/or to others and their property arising out of the misuse or inability to use this product.

This limited warranty shall not extend to anyone other than the original purchaser or to the person for whom it was purchased as a gift.

HOW STATE LAW RELATES TO THIS WARRANTY: This limited warranty gives you specific legal rights, and you may also have other rights which vary from state to state.

IMPORTANT: The Warranty period stated below begins with the PROOF OF PURCHASE. Without the proof of purchase, the Warranty period begins from the date of manufacture determined by the serial number manufacturing date.

SPREADER WARRANTY PERIOD:

The warranty period for this spreader is as follows: Steel frame parts, poly hopper, transmission and flow control parts – 2 Years. Tires, wheels and agitator - 90 days.