

ALOHA PLUS PORCELAIN ENAMEL  
60" X 32" X 14 1/4" BATH TUB  
40 DEGREE LUMBAR SUPPORT



011-2366-00 ALOHA PLUS RIGHT-HAND WHITE  
011-2367-00 ALOHA PLUS LEFT-HAND WHITE

*DESCRIPTION:*

The Aloha Plus is a 60" x 32" x 14 1/4" bathtub – the industry's #1 selling porcelain enamel bathtub is full length bath offering exceptional performance and roominess for a recess application. The Aloha Plus has a 40 degree lumbar support for a comfortable bathing experience. Construction is a one piece heavy gauge seamless steel with an acid resistant porcelain enamel finish. The Aloha Plus weighs 67 lbs., easy to install into a bathtub alcove - "just set it and level it". Free standing on a full length support pad that offers added strength and sound deadening. This product is compatible or complies with ASME A112.19.1/CSA B45.2 (Standard for Enameled Steel Plumbing Fixtures), ADA (American Disabilities Act), ASTM F 462 (Safety Specification for Slip Resistant Bathing Facilities), WW-P 541 (U.S. Military Federal Specification), HUD-FHA-VA, LEED, and the Buy American Act, as applicable when installed accordingly. Available in white, bone and biscuit colors with a right and left drain. Made in the USA.

Weight: 67 lbs



# ALOHA PLUS PORCELAIN ENAMEL 60" X 32" X 14 1/4" BATH TUB 40 DEGREE LUMBAR SUPPORT

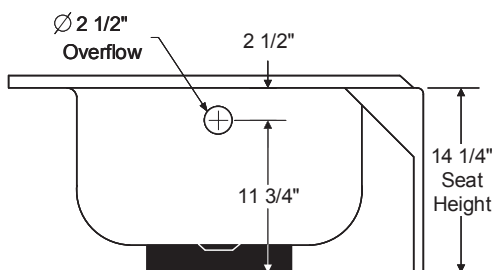
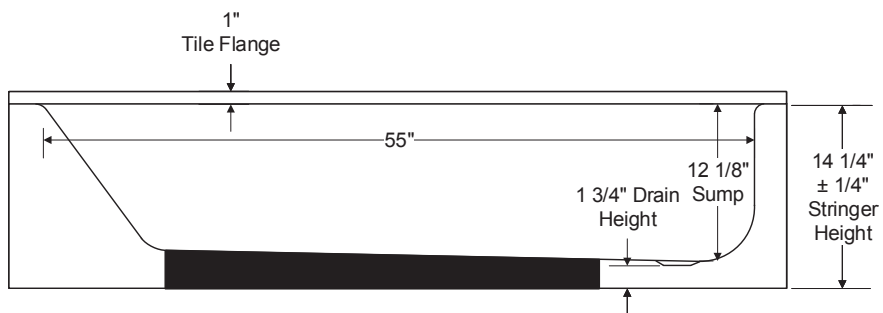
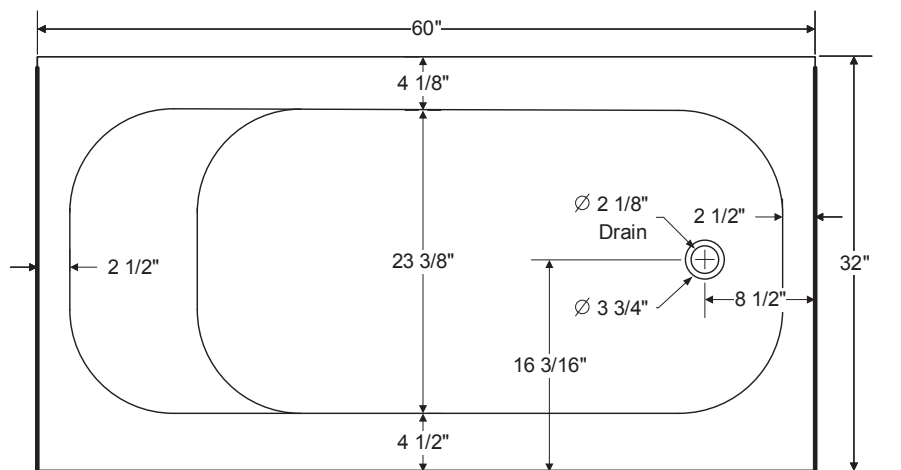
## ALOHA PLUS 5' Bathtub

60" x 32" x 14 1/4"

Standard Outlet

011-2366-00 ALOHA PLUS right-hand white

011-2367-00 ALOHA PLUS left-hand white



### Complies with:

All fixtures are compatible or comply with ANSI, ASME, CSA, WW-P 541, HUD-FHA-VA, LEED and the "Buy America Act" where applicable when installed accordingly.

### Standard Features:

"The affordable alternative to cast iron"  
Full length sound deadening pad  
Slip resistant bottom  
Set it and level it

Made in the USA

All Dimensions +/- 1/8" unless otherwise noted.

Dimensions shown are for reference.  
Actual dimensions may vary slightly and should be checked prior to installation  
SS 5/14

