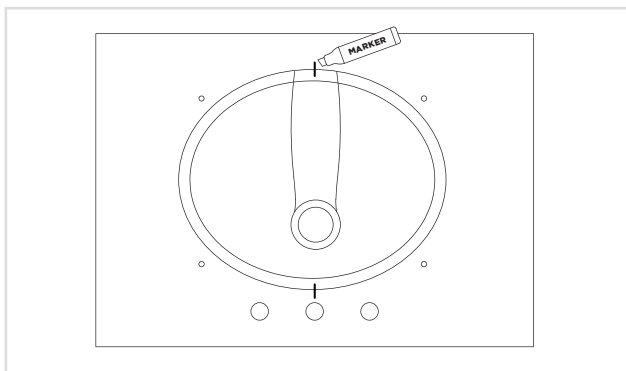


INSTALLATION GUIDE

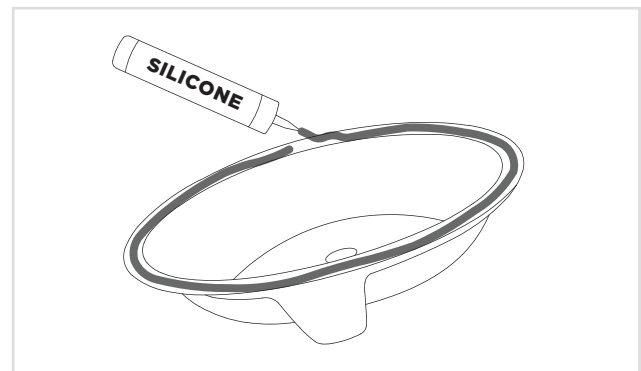
ARIEL

INCLUDED	NEEDED	HARDWARE	
<ul style="list-style-type: none">• Base cabinet• Countertop• Sink basin• Backsplash• Hardware	<ul style="list-style-type: none">• Permanent marker• Silicone - (Recommend Liquid #PL530 OR GE Silicone II #M90010)• Nails #LN-933 OR Loctite #1365868 OR Gorilla Glue #4200101)• Epoxy - (Recommend Loctite #1365868 OR Gorilla Glue #4200101)• Caulking gun	<p>A</p>  <p>Bolts (4)</p> <p>C</p>  <p>Washers (4)</p>	<p>B</p>  <p>Undermount clips (4)</p> <p>D</p>  <p>Wing nuts (4)</p>



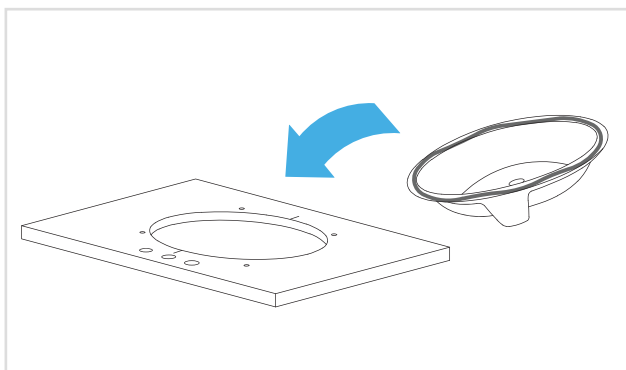
STEP 1 - PLACE & TRACE

Place the sink basin on the bottom of the countertop, making sure to center over the opening. Draw guide lines on the countertop and the basin in two locations.



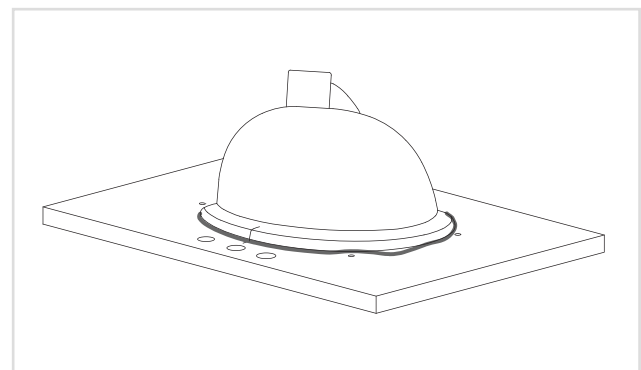
STEP 2 - PREPARE SINK BASIN

Using a caulking gun, apply a heavy amount of silicone of your choice on the top side of the sink basin edge.



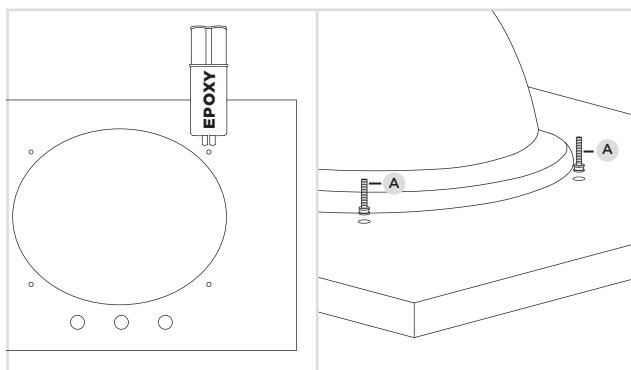
STEP 3 - FLIP & SET IN PLACE

Carefully flip the sink basin over and place it so the guide lines match up in both locations.



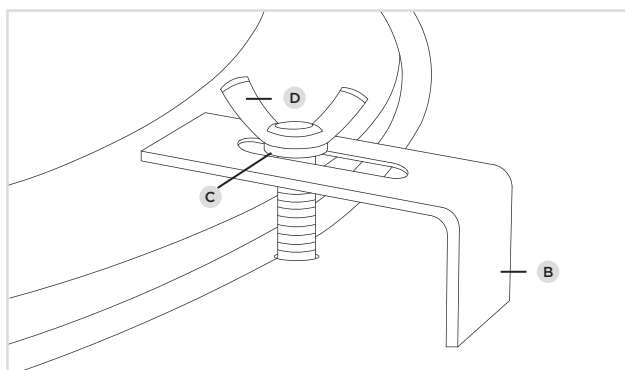
STEP 4 - DRY & SET

Press down on the sink basin to seal the silicone. Remove any excess. Follow dry time recommendations found on your product, typically 12 to 24 hours.



STEP 5 - PREPARE & SET BOLTS

Fill in the small holes surrounding the sink basin with epoxy. Immediately place the top of the bolt (PART A) in the hole with the epoxy. Allow sufficient dry time & follow the package directions on the epoxy before moving to the next steps, typically 12 to 24 hours.



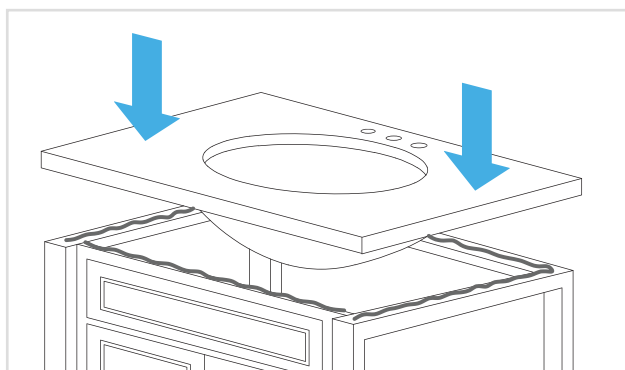
STEP 6 - ATTACH UNDERMOUNT CLIPS

After following recommended drying time, attach the undermount clips (PART B) facing down, place the washer (PART C) on the clips & use the wing nuts (PART D) to secure in place. Apply silicone to the wing nut for added stability.



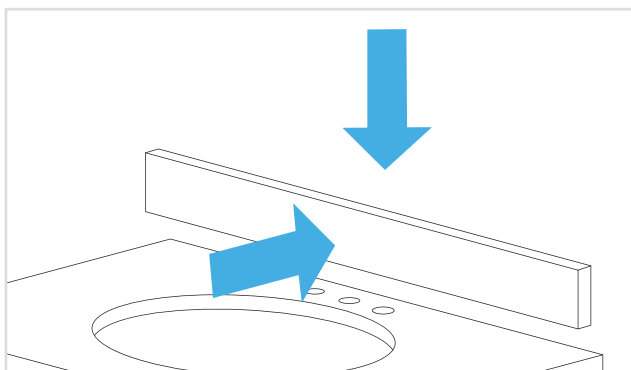
STEP 7 - PREPARE BASE CABINET

Using a caulking gun, apply silicone around the top of the base cabinet.



STEP 8 - SET COUNTERTOP IN PLACE

Carefully place the countertop, with the sink attached, onto the cabinet and press down firmly. Wipe away and excess silicone immediately.



STEP 9 - SET BACKSPLASH

After the vanity is in place, use a caulking gun to apply silicone to the back and bottom unfinished sides of the backsplash. Press firmly down and back to set in place. Remove any excess silicone.

Need Further Assistance?

For more help, please contact us and one of our trusted experts will be more than happy to provide guidance.

800-509-5070

Monday-Friday from 9:00am-5:00pm (PST)