

KRUPS

SAVOY
EC413

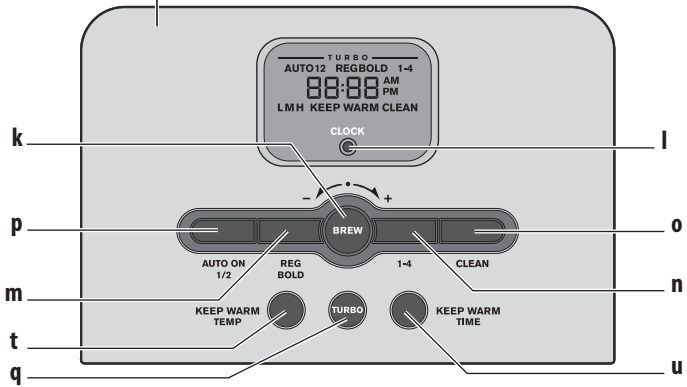
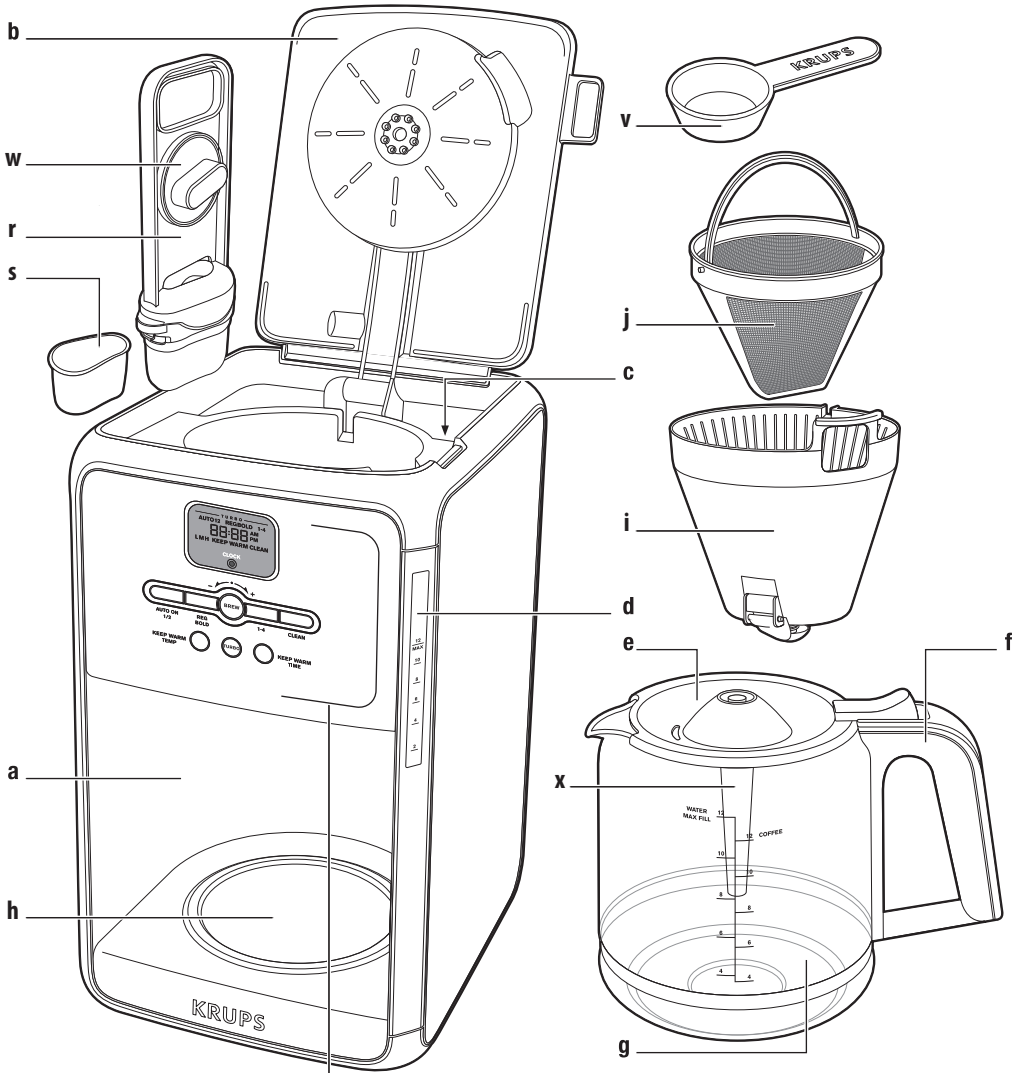
EN

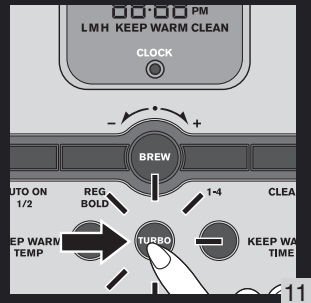
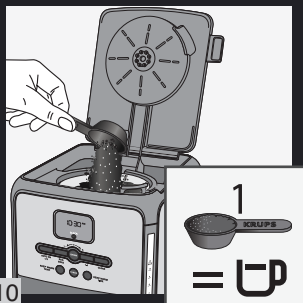
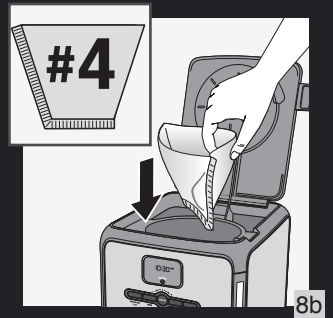
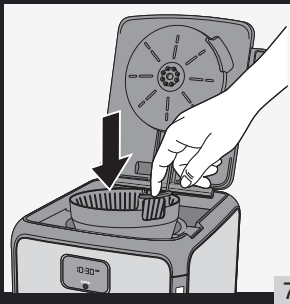
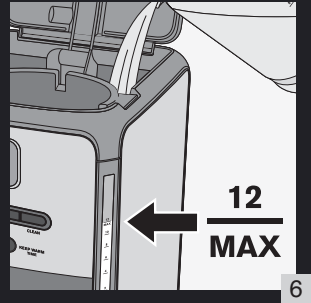
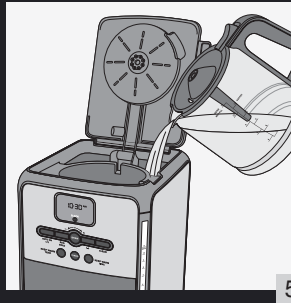
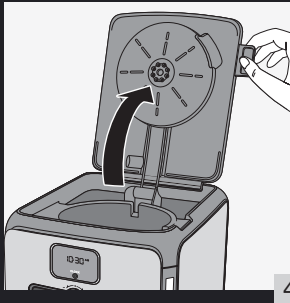
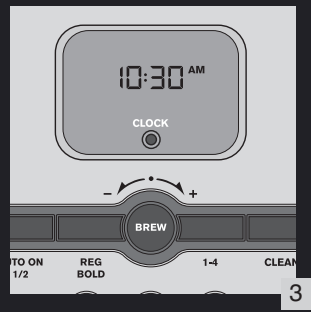
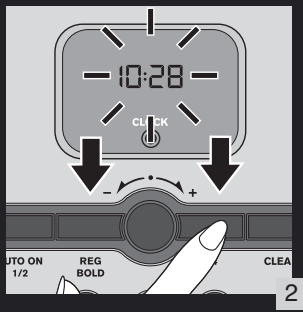
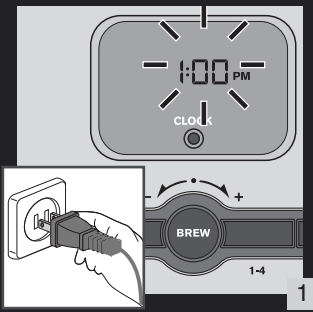
FR

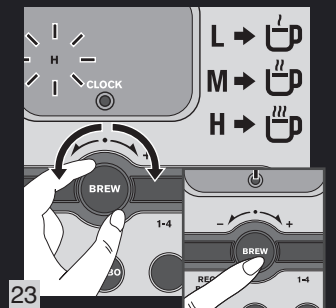
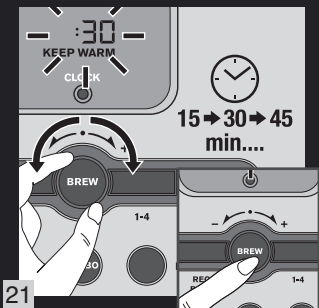
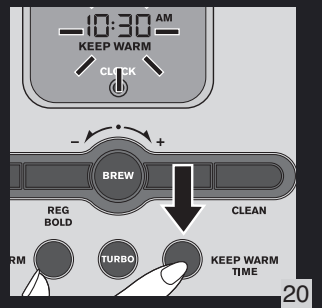
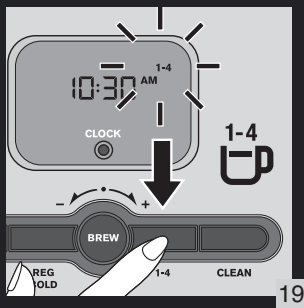
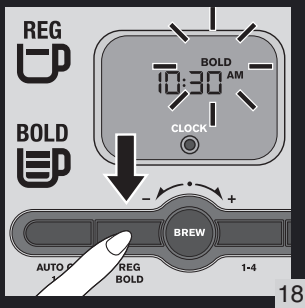
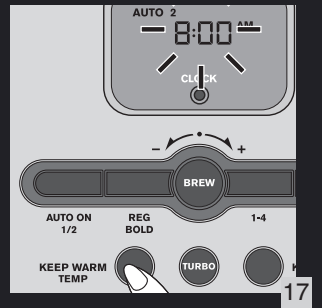
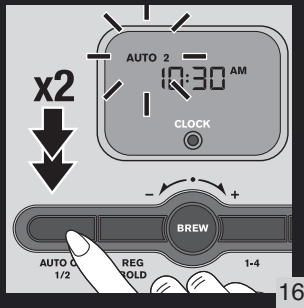
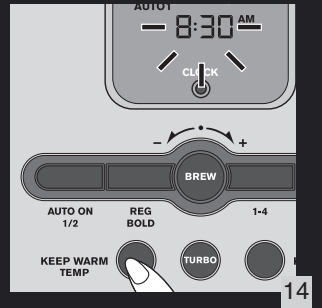
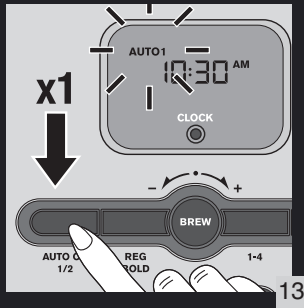
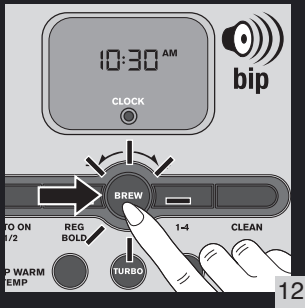
ES

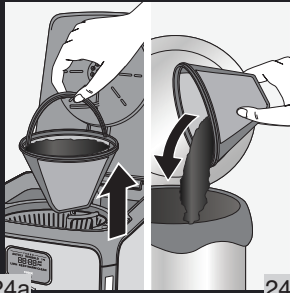
This product may differ from the photo
Photo non contractuelle
El producto puede ser diferente al de la imagen

www.krups.com



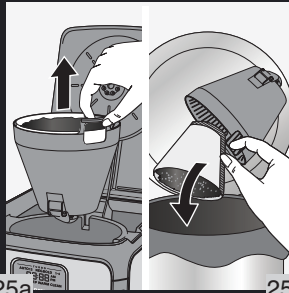






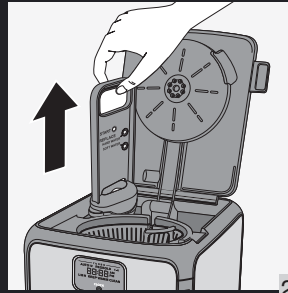
24a

24b

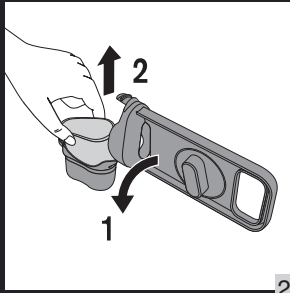


25a

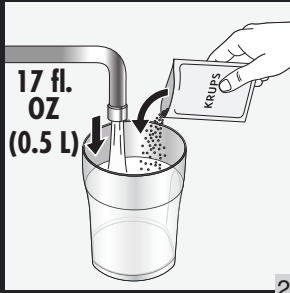
25b



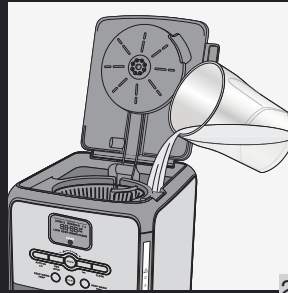
26



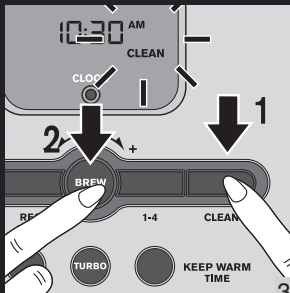
27



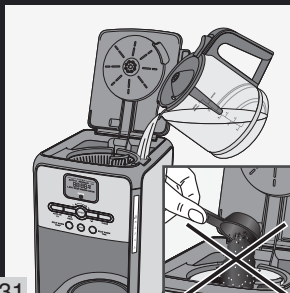
28



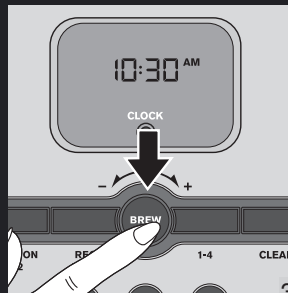
29



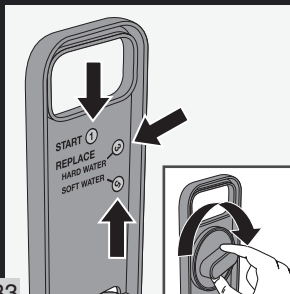
30



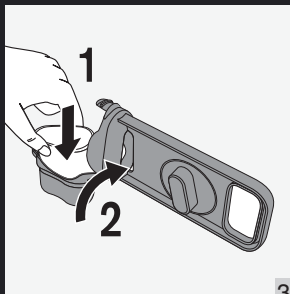
31



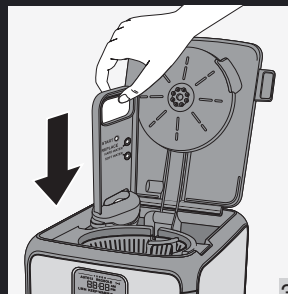
32



33



34



35

TABLE OF CONTENTS

	PAGE
1. IMPORTANT SAFEGUARDS	7
2. DESCRIPTION	9
3. SETTING THE CLOCK	9
4. BEFORE FIRST USE	9
5. MAKING COFFEE	9
6. OTHER FEATURES	10
6A AUTO START FUNCTION	
6B TURBO FUNCTION	
6C REGULAR OR BOLD	
6D 1 - 4 CUPS	
6E KEEP WARM	
7. CLEANING	11
8. DESCALING	11
9. TROUBLESHOOTING	13
10. KRUPS INTERNATIONAL LIMITED WARRANTY	14

1. IMPORTANT SAFEGUARDS

When using electrical appliances, basic safety precautions should always be followed to reduce the risk of fire, electric shock, and/or injury to persons including the following:

- Read all instructions.
- Do not touch hot surfaces. Use handles or knobs.
- To protect against fire, electric shock and injury to persons, do not immerse cord, plugs or machine in water or other liquid. Close supervision is necessary when any appliance is used by or near children.
- Unplug from outlet when not in use and before cleaning. Allow to cool before putting on or taking off parts, and before cleaning the appliance.
- Do not operate any appliance with a damaged cord or plug or after the appliance malfunctions, or has been damaged in any manner. Return appliance to the nearest authorized service facility for examination, repair or adjustment.
- The use of accessory attachments not recommended by the appliance manufacturer may result in fire, electric shock or injury to persons.
- Do not use outdoors.
- Do not let cord hang over edge of table or counter, or touch hot surfaces.
- Do not place on or near a hot gas or electric burner, or in a heated oven.
- Always attach plug to appliance first, then plug cord into the wall outlet. To disconnect, turn any control to the “off” position, then remove plug from wall outlet.
- Do not use appliance for other than intended use.
- The container is designed for use with this appliance. It must never be used on a range top.
- Do not place a hot carafe on a wet or cold surface.
- Do not use a cracked container or a container having a loose or weakened handle.
- Do not clean container with cleansers, steel wool pads, or other abrasive material.
- Scalding may occur if the lid is removed during the brewing cycles.

SAVE THESE INSTRUCTIONS

CAUTION

This machine is intended for household use only. Any servicing other than cleaning and user maintenance should be performed by the nearest authorized KRUPS Service Center. Visit our website at www.krupsusa.com in the USA or www.krups.ca in Canada or contact your respective country's Consumer Service department for the service center nearest you, or contact your respective country's Consumer Service department. To reduce the risk of fire or electric shock, do not attempt to disassemble the machine. Repair should be done by an authorized KRUPS Service Center only.

SHORT CORD INSTRUCTIONS

- A. A short power cord or a detachable power cord is provided to reduce the risks of becoming entangled in or tripping over a longer cord accidentally.
- B. Longer detachable power cords or extension cords are available and may be used if care is exercised in their use.

C. If a long detachable power cord or an extension cord is used:

- 1)** the marked electrical rating of the detachable power cord or extension cord should be at least as great as the electrical rating of the appliance.
- 2)** If the appliance is of the grounded type, the extension cord should be a grounding type 3-wire cord.
- 3)** the longer cord should be arranged so that it will not drape over the counter where it can be pulled on by children or tripped over accidentally. The appliance may have a polarized plug (one blade is wider than the other). To reduce the risk of electric shock, this plug is intended to fit into a polarized outlet only one way. If the plug does not fit fully into the outlet, reverse the plug. If it still does not fit, contact a qualified electrician. Do not attempt to modify the plug in anyway.

ADDITIONAL SAFETY INSTRUCTIONS

- Your appliance is designed for domestic use only.
 - It is not intended to be used in the following applications, and the guarantee will not apply for: staff kitchen areas in shops, offices and other working environments; farm houses; by clients in hotels, motels and other residential type environments; bed and breakfast type environments.
 - This appliance is not designed to be used by children or people without knowledge or experience with the product, unless they are supervised or given prior instructions concerning the use of the appliance by someone responsible for their safety.
 - Burns can occur from touching hot plate, hot water or steam. Exercise caution.
 - All machines are subject to stringent quality control. Practical tests using machines taken at random are conducted and this may explain any slight marks or coffee residue showing prior to use.
 - Do not pour liquids other than water and descaling solutions specified in this manual into the water tank.
 - Protect the machine against humidity and freezing.
 - Do not pour water into the appliance if it is still hot.
 - Always place your coffee maker on a flat, stable, heat resistant work surface away from water splashes and any external sources of heat.
 - Never place your carafe or your insulated pot in a microwave oven, in a dishwasher or on a stove top.
 - Never put your hand inside the insulated pot.
 - Do not use the carafe or the insulated pot without the lid.
 - Do not use the thermal carafe if the glass inner part inside is broken. If the glass inner part of the carafe is broken, pieces of glass can transfer to your cup.
 - In the interest of improving products, KRUPS reserves the right to change specifications without prior notice.
 - A short power supply cord is provided to reduce the hazards resulting from becoming entangled in or tripping over a long cord.
 - This appliance is not intended for use by persons (including children) with reduced physical, sensory or mental capabilities, or lack of experience and knowledge, unless they have been given supervision or instruction concerning use of the appliance by a person responsible for their safety.
- Children should be supervised to ensure that they do not play with the appliance.

2. DESCRIPTION

- a** Body of the appliance
- b** Lid
- c** Water tank
- d** Water level indicator
- e** Carafe lid
- f** Carafe handle
- g** Carafe
- h** Warming plate
- i** Filter holder
- j** Permanent gold tone filter
- k** BREW/control knob
- l** CLOCK button
- m** REGULAR/ BOLD button
- n** 1-4 CUPS button
- o** CLEAN button
- p** AUTO ON button
- q** **TURBO button**
- r** Filter cartridge holder
- s** Filter cartridge
- t** Keep Warm TEMP Button
- u** Keep Warm TIME button
- v** Spoon
- w** Replacement indicator of the filter cartridge
- x** **Aroma tube**

3. SETTING THE CLOCK

- Place the coffee maker on a hard flat surface.
- Connect the power cord to a 120V wall socket.
 - 1 - When you connect the coffee maker for the first time, "**1:00 pm**" displays and flashes on screen. **Fig. 1.** Program the time by turning the coffee maker for the first time, "**1:00 pm**" displays and flashes on screen. **Fig. 1.** Program the time by turning the BREW/control knob (**k**) to the right to increase, to the left to decrease. Confirm by pressing the CLOCK button (**l**) or the BREW/control knob (**k**). The time is displayed. **Fig. 2 and 3.**
 - 2 - You may also program or change the time at any other time. Press the CLOCK button (**l**) and turn the BREW/control knob (**k**). Set by pressing the CLOCK button (**l**) or the BREW/control knob (**k**). The time is displayed.

Note: Your clock is now programmed and will continue to display the time even when your appliance is on standby.

If the appliance is disconnected or there is a power failure, the clock will return to 1:00 PM. The steps above must be repeated to program the clock again.

4. BEFORE FIRST USE

- Remove stickers from your coffee maker.
- Before first use, run your coffee maker without coffee to flush the circuit. Fill the water tank up to the maximum level and begin a cycle by pressing the BREW/control knob (**k**).

IMPORTANT : Your appliance was designed to operate only with cold or room temperature water.

5. MAKING COFFEE

- Open the lid of the coffee maker (**b**). **Fig. 4.**
- Fill the carafe (**g**) with cold or room temperature water. Pour the water in the water tank (**c**) **Fig. 5.** The water level indicator displays the number of cups. Do not exceed 12 cups. **Fig. 6.**
- Place the carafe (**g**) with its lid on the warming plate (**h**) making sure that it is properly placed to trigger the mechanism that will allow the coffee to flow. **Fig. 9.**
- It is best to remove the filter holder with the filter before adding the ground coffee. If ground coffee has accidentally been poured into the water tank, please do not run the cycle; instead clean the water tank. The ground coffee could plug the water circuit.
- Add 1 KRUPS (**v**) spoonful of ground coffee per cup. Do not exceed 12 spoons (2 ounces). **Fig. 10.**
- Make sure the filter holder (**i**) is inserted. **Fig. 7.** Place the permanent filter (**j**) in the filter holder (**i**) **Fig. 8a** or a No. 4 paper filter **Fig. 8b.** If you use a paper filter, be sure it is fully open and properly positioned in the filter holder.

- Close the lid **(b)**.
- Press the BREW/control knob **(k)**. The control knob lights up to indicate that the coffee maker has begun the BREW cycle. It beeps once when it starts brewing. **Fig. 12.**
- When the cycle has ended, the 'keep warm' feature turns on automatically (the countdown showing the time during which it will remain warm is displayed on screen). The BREW/control knob **(k)** flashes slowly.
- After the default keep warm time of 2 hours your appliance beeps 3 times and the BREW/control knob **(k)** switches off.
- At any time during the brew cycle, you may turn off the coffee maker by pressing the BREW/control knob **(k)**. The light on the BREW/control knob will also go out. It beeps 3 times prior to turning off. Even if the brew cycle has ended, there is still hot liquid in the filter. Wait a few minutes for the rest of the liquid to flow into the carafe before removing the filter.

Note :

- The amount of coffee in the carafe at the end of the cycle is less than the amount of water poured into the water tank, since the ground coffee and the filter absorb about 10% of it.
- The water tank is equipped with an overflow outlet at the rear of the appliance. If you add too much water, it will come out of this opening.
- Clean the permanent filter in between each use, or use a paper filter.
- **The tip Aroma Tube **(h)** of the carafe is removable. You can use your coffee maker without Aroma Tube.**

CAUTION:

- **To avoid overflowing, the carafe should be properly placed on the warming plate of the coffee maker, otherwise the hot water or hot coffee may overflow.**
- **The coffee maker becomes very hot during the brew cycle. Handle it carefully.**

6. OTHER FEATURES

6A – AUTO START FUNCTION

Programming the auto-start settings.

- Your appliance is equipped with two auto-start programs.
- Check whether the clock is set to the right time. If not, follow the instructions in the SETTING THE CLOCK section.
- Press the AUTO ON button. An AUTO 1 icon displays on screen. **Fig. 13.**
- Turn the BREW/control knob **(k)** to set the time. Confirm by pressing the BREW/control knob **(k)**. The time is displayed. **Fig. 14 and 15.**
- Without validation with the BREW/control knob **(k)**, the time is recorded automatically after about 5 seconds.
- To set the second program, push the AUTO ON button twice, so that the AUTO 2 icon appears on screen. **Fig. 16.**
- Turn the BREW/control knob **(k)** to set the time. Validate by pressing the BREW/control knob **(k)**. The time is displayed. **Fig. 17 and 18.**
- If you do not confirm using the BREW/control knob **(k)**, the time is recorded automatically after about 5 seconds.

Activate a delayed start-up when the time is already pre-set.

- Select AUTO 1 or AUTO 2 by pressing the AUTO ON button. Press the BREW/control knob **(k)** to launch auto-start program.

6B – TURBO FUNCTION

This function enables you to brew your coffee faster by reducing the cycle time.

- Press the TURBO button. **Fig. 11**
- The TURBO icon will appear on the screen.
- This function will be saved in the memory of your coffee machine for future cycles. You can stop this function by pressing the TURBO button once more.

6C – REGULAR OR BOLD

- This feature allows you to make a coffee that is more or less full-bodied.
- The BOLD feature increases the time of the cycle for a stronger coffee.
- Press the REGULAR or BOLD button to select the intensity of your coffee. **Fig. 19.**
- The REG or BOLD icon appears on screen.
- The feature is stored in the memory for subsequent cycles.

6D – 1- 4 CUPS

- To activate this feature, press the 1-4 button **(n)** before starting the cycle. **Fig. 20.**
- This feature is especially designed for making small amounts of coffee, i.e. between 2 and 4 cups. It makes it easier to extract optimal aroma and flavor.

6E – KEEP WARM

TIME

- The default keep warm duration on your appliance is 2 hours.
- To cancel the keep warm function, press Time **(u)** and KEEP WARM will disappear from the screen.

To set the keep warm duration:

- If the keep warm function has already been activated, press Time **(u)** once to deactivate it.
- If not, press Time **(u)** and turn the BREW/control knob **(k)** to select the keep warm duration. The keep warm function may be set from 15 minutes to up to 4 hours in 15 min increments. **Fig. 21 and 22.**
- Confirm by pressing BREW/control knob **(k)**. The duration is confirmed automatically after approximately 5 seconds. **Fig. 22.**
- KEEP WARM will appear on the screen and the duration is confirmed.
- To cancel the keep warm function, press Time **(u)** and KEEP WARM will disappear from the screen.
- You can change the keep warm duration while it is in operation by turning the BREW/control knob **(k)**.

TEMPERATURE

- You may program 3 temperature levels to keep your coffee warm: LOW, MEDIUM or HIGH.
- Press the TEMP button **(t)** and turn the BREW/control knob **(k)** to select the temperature level. **Fig. 23 and 24.**
- Set by pushing the BREW/control knob **(k)** or by default, validation is done automatically after about 5 seconds.

7. CLEANING

- To dispose of used ground coffee, remove the filter and the filter holder of the coffee maker. **Fig. 25a-b and 26a-b.**
- Do not clean the appliance if it is still hot.
- Wash the carafe, the removable filter holder and the permanent filter with warm, soapy water. You may place the carafe in the dishwasher.

CAUTION: Do not place the carafe in the microwave.

Do not put other parts of the coffee maker into the dishwasher.

- Clean the coffee maker with a damp cloth or sponge. Never use abrasive or strong products on any part of the coffee maker.
- To clean the stainless steel parts of your coffee maker, dampen a soft cloth or sponge with warm water. Wipe carefully with a dry cloth.
- For difficult stains, use a cloth with white vinegar.
- Do not immerse the appliance in water or under the tap.

8. DESCALING

■ Why descale

- Limestone forms naturally in your coffee maker. Descaling preserves the coffee maker and ensures it will last longer and provide quality coffee over time. Limestone can permanently affect the machine's performance. Malfunctions associated with scaling will not be covered by the warranty if the product is returned.

■ When to descale

- When descaling is necessary, your machine will tell you and the CLEAN icon will appear on screen.
- **However, the descaling frequency depends on the hardness of the water and the number of brew cycles. It may be necessary to descale your coffee machine if you notice the following signs, even if the CLEAN message does not appear on the screen : longer cycle time, excessive steaming, more noise at the end of the cycle, stopping mid-cycle ; this means that your machine needs to be descaled.**
- Descaling should be done about once a month, depending on the hardness of the water.

How to descale your KRUPS coffee maker

- Remove the filter cartridge. **Fig. 26 and 27.**
- Use the KRUPS descaling solution® or 5 fl. oz of white vinegar diluted in 17 fl.oz of cold or water at room temperature or 1.5 oz of citric acid diluted in 17 fl. oz until the crystals have completely dissolved. **Fig. 28.**
- Pour the solution into the water tank (without coffee). **Fig. 29.**
- Press the CLEAN button **(o)** and then the BREW/control knob **(k)** to start the descaling cycle. **Fig. 30.**
- The cycle lasts for 30 min.
- Please wait until the end of the cycle.
- If the water tank is not empty, please launch another descaling cycle by pressing CLEAN button.
- To rinse the machine, run 2 full 12 cups cycles with water but without coffee. **Fig. 31.**
- Repeat the operation if needed.
- Replace the filter cartridge. **Fig. 34 and 35.**
- **The warranty does not cover coffee makers that do not work, or do so poorly, due to lack of descaling.**

DUO FILTER CARTRIDGE

- Your appliance allows you to filter with the DuoFilter filters : double action filter – reduces chlorine and scaling – based on active plant ingredients. This Duo Filter allows you to enjoy the most delicate aromas of your coffee and reduces the need to descale.
- In its upper part, the filter cartridge support is equipped with an indicator for replacement of the cartridge.
- Select the number of the month when you replaced the filter. It will display the month when you should change your filter according to water hardness. **Fig. 33.**
- To change the filter, remove the DuoFilter from the tank. **Fig. 26.**
- Open it by unlatching and opening the lower part and replacing it. **Fig. 27.**

IMPORTANT :

The DuoFilter filter must only be used with water.

Your coffee maker operates even if the water filter is not installed.

If you have not used your coffee machine for over a month, rinse the DuoFilter filter under running water.

It is recommended not to leave the DuoFilter water filter in place for over 5 months.

The duo filter can cause the water to flow slow, excess steam, high noise level. The filter may need to be replaced.

9. TROUBLESHOOTING

PROBLEM	SOLUTION
The coffee does not brew or the appliance does not turn on.	<ul style="list-style-type: none"> ■ Make sure the appliance is plugged into a working outlet and the screen flashes. ■ The water tank is empty. ■ There is a power outage. ■ Unplug the machine, then plug it back in. ■ The clock should be reprogrammed after a power outage. ■ The automatic stop feature has turned off the appliance. Turn off the appliance and then turn it back on to make more coffee. For more information, please consult the "Making Coffee" section.
The appliance seems to leak.	<ul style="list-style-type: none"> ■ Make sure the water tank has not been filled beyond the maximum limit.
Brewing takes a long time.	<ul style="list-style-type: none"> ■ It may be time to descale the appliance. ■ Several minerals can accumulate in the coffee maker's circuitry. Regular descaling of the machine is recommended. This may need to be done more often depending on the hardness of your water. For more information, please consult the "Descaling" section. <p>CAUTION: do not take the appliance apart.</p>
The filter basket overflows or the coffee flows too slowly.	<ul style="list-style-type: none"> ■ The coffee maker needs cleaning. ■ There is too much coffee. We recommend using one measuring spoon or one soup spoon of ground coffee per cup. ■ The ground coffee is too fine (Please note that: ground coffee for espresso won't work in a drip coffee maker). ■ There is ground coffee lodged between the paper filter and the filter holder. ■ The paper filter is not opened properly or is not well placed. ■ Rinse the filter holder before inserting the paper filter so it will adhere to the damp walls of the filter basket. ■ Be sure you have not inserted a paper filter at the same time as the permanent filter. ■ There is more than one paper filter in the filter holder. ■ Make sure the filter basket is pushed down all the way.
The coffee tastes bad.	<ul style="list-style-type: none"> ■ Clean the coffee maker. ■ The ground coffee is not right for your coffee maker. ■ The proportion of coffee and water is not sufficient. Adjust to suit your taste. ■ The quality and freshness of the coffee is not the best. ■ The water is of poor quality.
The coffee does not flow.	<ul style="list-style-type: none"> ■ See if there is water in the water tank. ■ The coffee flow system may be obstructed. You may clean it simply by rinsing with water.
The time is not correct (there is a time difference).	<ul style="list-style-type: none"> ■ The timer is synchronized and depends on your electrical network. If there is a time difference, we recommend that you program the time once a week to be sure it is correct.

If your appliance does not always work properly, call customer service in your country.

KRUPS INTERNATIONAL LIMITED WARRANTY

 : www.krups.com

*This product is **repairable** by KRUPS during and after the **warranty** period. Accessories, consumables and end-user replaceable parts can be purchased, if locally available, as described on the KRUPS internet site www.krups.com.*

The Warranty

This product is guaranteed by KRUPS (company address and details included in the country list of the KRUPS International Warranty) against any manufacturing defect in materials or workmanship for a period of **2 years** starting from the initial date of purchase.

The international manufacturer's warranty by KRUPS is an extra benefit which does not affect consumer's Statutory Rights.

The international manufacturer's warranty covers all costs related to restoring the proven defective product so that it conforms to its original specifications, through the repair or replacement of any defective part and the necessary labor. At KRUPS's choice, a replacement product may be provided instead of repairing a defective product. KRUPS's sole obligation and your exclusive resolution under this warranty are limited to such repair or replacement.

Conditions & Exclusions

The international KRUPS warranty only applies within the warranty period and for those countries listed in the Country List attached and is valid only on presentation of a proof of purchase. The product can be taken directly in person to an authorized service center or must be adequately packaged and returned, by recorded delivery (or equivalent method of postage), to a KRUPS authorized service center. Full address details for each country's authorized service centers are listed on KRUPS website (www.krups.com) or by calling the appropriate telephone number as set out in the Country List to request the appropriate postal address.

KRUPS shall not be obliged to repair or replace any product which is not accompanied by a valid proof of purchase.

This warranty will not cover any damage which could occur as a result of misuse, negligence, failure to follow KRUPS instructions, use on current or voltage other than as stamped on the product, or a modification or unauthorized repair of the product. It also does not cover normal wear and tear, maintenance or replacement of consumable parts, or the following:

- using the wrong type of water or consumable
- ingress of water, dust or insects into the product
- scaling (any de-scaling must be carried out according to the instructions for use)
- mechanical damages, overloading
- damages or bad results due to wrong voltage or frequency
- accidents including fire, flood, thunderbolt, etc
- professional or commercial use
- damage to any glass or porcelain ware in the product

This warranty does not apply to any product that has been tampered with, or to damages incurred through improper use and care, faulty packaging by the owner or mishandling by any carrier.

The international KRUPS warranty applies only for products purchased in one of the countries listed, and used for domestic purposes only in one of the countries listed on the Country List.

Where a product purchased in one listed country and then used in another listed country:

- a) The international KRUPS warranty does not apply in case of non conformity of the purchased product with the local standards, such as voltage, frequency, power plugs, or other local technical specifications.
- b) The repair process for products purchased outside the country of use may require a longer time if the product is not locally sold by KRUPS.
- c) In cases where the product is not repairable in the new country, the international KRUPS warranty is limited to a replacement by a similar product or an alternative product at similar cost, where possible.

Consumer Statutory Rights

This international KRUPS warranty does not affect the statutory rights a consumer may have or those rights that cannot be excluded or limited, nor rights against the retailer from which the consumer purchased the product. This warranty gives a consumer specific legal rights, and the consumer may also have other legal rights which vary from State to State or Country to Country. The consumer may assert any such rights at his sole discretion.

TABLE DES MATIÈRES

	PAGE
1. CONSIGNES IMPORTANTES DE SÉCURITÉ	17
2. DESCRIPTION	19
3. PROGRAMMATION DE L'HORLOGE	19
4. AVANT LA PREMIÈRE UTILISATION	19
5. PRÉPARATION DU CAFÉ	20
6. AUTRES FONCTIONS	20
6A DÉPART DIFFÉRÉ	
6B FONCTION TURBO	
6C REGULAR OU BOLD	
6D 1-4 TASSES	
6E MAINTIEN AU CHAUD	
7. NETTOYAGE	21
8. DÉTARTRAGE	22
9. DÉPANNAGE	23
10. GARANTIE DU FABRICANT	24

1. CONSIGNES IMPORTANTES DE SÉCURITÉ

Lorsque vous utilisez un appareil électrique, des consignes de sécurité élémentaires doivent toujours être observées pour réduire les risques de feu, de décharge électrique et de blessures, y compris les suivantes :

- Lire le mode d'emploi entier.
- Ne pas toucher les surfaces chaudes; utiliser les poignées ou les boutons.
- Pour se protéger des incendies, des décharges électriques et des blessures, ne pas immerger la machine dans l'eau ni dans tout autre liquide.
- Il convient de surveiller les enfants étroitement lorsque l'appareil est utilisé par des enfants ou à proximité d'eux.
- Débrancher l'appareil de la prise murale lorsqu'il n'est pas utilisé ou pour le nettoyer. Laisser l'appareil refroidir avant d'ajouter ou d'enlever des pièces.
- Ne pas utiliser un appareil électrique ayant un cordon d'alimentation ou une prise endommagé, quand l'appareil fonctionne mal, ou s'il a été endommagé de quelque manière que ce soit. Retourner tout appareil défectueux au centre de service agréé le plus près afin qu'il soit examiné, réglé ou réparé.
- L'utilisation d'accessoires non recommandés ni vendus par le fabricant peut causer des feux, des décharges électriques ou des blessures.
- Ne pas utiliser à l'extérieur.
- Le cordon ne doit pas pendre de la table ou du comptoir, ni toucher à des surfaces chaudes.
- Ne pas placer l'appareil sur ou près d'un brûleur au gaz ou électrique, ni dans un four chaud.
- Toujours brancher le cordon à l'appareil en premier, puis sur la prise murale. Pour débrancher, tourner le bouton de commande à la position « OFF » puis retirer la fiche de la prise murale.
- Ne pas utiliser l'appareil pour une autre fonction que celle pour laquelle il a été conçu.
- La verseuse est conçue pour être utilisée avec cet appareil; ne jamais l'utiliser sur une cuisinière.
- Ne pas déposer une verseuse chaude sur une surface froide ou humide.
- Ne pas utiliser un récipient fêlé ou qui présente une faiblesse à la poignée.
- Ne pas nettoyer la verseuse avec des nettoyeurs, des éponges métalliques ni avec tout autre produit abrasif.
- Le retrait du couvercle pendant les cycles d'infusion peut causer des blessures.

CONSERVER CES INSTRUCTIONS

ATTENTION

Cet appareil est conçu pour une utilisation domestique seulement. Tout entretien autre que le nettoyage et l'entretien normal de l'appareil par son propriétaire doit être effectué par un centre de service agréé de Krups uniquement. Visitez notre site Web www.krups.ca au Canada ou communiquez avec le service à la clientèle pour connaître le centre de service le plus près de chez vous. Afin de réduire les risques de feu et de décharge électrique, ne pas démonter la base de l'appareil. Toute réparation doit être effectuée par un centre de service agréé de Krups uniquement.

INSTRUCTIONS POUR LE CORDON COURT

- A.** Un cordon d'alimentation court ou amovible est fourni avec l'appareil pour éviter qu'il ne s'emmêle ou ne fasse trébucher quelqu'un.
- B.** Des rallonges et des cordons plus longs peuvent être utilisés, mais l'utilisateur doit prendre les précautions nécessaires.
- C.** Si vous utilisez une rallonge ou un cordon d'alimentation plus long :
 - 1)** Le calibre spécifié sur le cordon ou la rallonge doit être égal ou supérieur à celui indiqué sur l'appareil.
 - 2)** Si l'appareil est mis à la terre, le cordon ou la rallonge doit être du type mis à la terre (à 3 fils).
 - 3)** Le cordon d'alimentation doit être placé de façon qu'il ne pende pas du plan de travail ou du haut de la table, car un enfant pourrait tirer dessus ou trébucher accidentellement. L'appareil peut être équipé d'une prise polarisée (une lame est plus large que l'autre). Pour réduire les risques de décharges électriques, cette fiche ne peut se brancher que dans un sens. Si la fiche ne rentre pas correctement dans la prise murale, mettez-la dans l'autre sens. Si elle ne rentre toujours pas, contactez un électricien. N'essayez en aucune façon de modifier la prise.

CONSIGNES DE SÉCURITÉ SUPPLÉMENTAIRES

- Votre machine a été conçue pour un usage domestique seulement.
- Il n'a pas été conçu pour être utilisé dans les cas suivants qui ne sont pas couverts par la garantie: dans des coins de cuisines réservés au personnel dans des magasins, bureaux et autres environnements professionnels; dans des fermes; Par les clients des hôtels, motels et autres environnements à caractère résidentiel; dans des environnements de type chambres d'hôtes.
- Cet appareil n'est pas conçu pour être utilisé par des enfants et des personnes ne possédant pas de connaissances ou d'expérience quant au produit, à moins qu'une personne responsable de leur sécurité ne les supervise ou ne leur donne des instructions préalables.
- Tout contact avec la base, de l'eau chaude ou de la vapeur peut provoquer des brûlures. Faites preuve de prudence.
- Tout appareil est soumis à un contrôle de qualité très strict qui comprend des tests d'utilisation réelle sur des appareils sélectionnés au hasard, ce qui expliquerait toute trace légère d'usage ou résidus de café avant l'utilisation.
- Ne pas verser de liquides dans le réservoir d'eau autres que de l'eau ou les solutions de détartrage spécifiées dans ce guide.
- Protéger l'appareil contre l'humidité et la congélation.
- Ne pas verser de l'eau dans l'appareil s'il est encore chaud.
- Toujours installer votre cafetière sur un plan de travail plat, stable et résistant à la chaleur, loin des éclaboussements d'eau et de toute source externe de chaleur.
- Ne jamais mettre votre verseuse ou votre cafetière isolée dans un four à micro-ondes, au lave-vaisselle ou sur une cuisinière.
- Ne jamais mettre votre main à l'intérieur de la cafetière isolée.
- Ne pas utiliser la verseuse ou la cafetière isolée sans le couvercle.

- Ne pas utiliser la verseuse isotherme si la partie intérieure en verre est cassée, car des morceaux de verre pourraient être transférés dans votre tasse.
- Dans l'intérêt d'améliorer ses produits, Krups se réserve le droit de modifier les caractéristiques sans avis préalable.
- Un cordon électrique court est fourni afin de réduire les risques d'emmêlement et de trébuchement accidentel liés à l'utilisation d'un plus long cordon.
- Cet appareil n'est pas prévu pour être utilisé par des personnes (y compris les enfants) dont les capacités physiques, sensorielles ou mentales sont réduites ou des personnes dénuées d'expérience ou de connaissance, sauf si elles ont pu bénéficier, par l'intermédiaire d'une personne responsable de leur sécurité, d'une surveillance ou d'instructions préalables concernant l'utilisation de l'appareil. Il convient de surveiller les enfants pour s'assurer qu'ils ne jouent pas avec l'appareil.

2. DESCRIPTION

- | | |
|--|---|
| a Boîtier de l'appareil | n Touche 1-4 tasses |
| b Couvercle | o Touche CLEAN |
| c Réservoir d'eau | p Bouton AUTO ON |
| d Indicateur de niveau d'eau | q Touche Turbo |
| e Couvercle de la carafe | r Support cartouche filtrante |
| f Poignée de la carafe | s Cartouche filtrante |
| g Carafe | t Touche TEMP (KEEP WARM) |
| h Plaque chauffante | u Touche TIME (KEEP WARM) |
| i Porte-filtre | v Cuillère |
| j Filtre permanent | w Indicateur de remplacement de la cartouche filtrante |
| k Bouton rotatif BREW | x Aroma tube |
| l Touche CLOCK | |
| m Touche de sélection REGULAR ou BOLD | |

3. PROGRAMMATION DE L'HORLOGE

- Posez la cafetière sur une surface dure et plane.
- Branchez le cordon d'alimentation sur la prise murale de 120V.
 - 1- Lorsque vous branchez la cafetière pour la première fois, « **1:00 pm** » paraît et clignote à l'écran. **Fig. 1.** Programmez l'heure en tournant le bouton rotatif BREW (**k**) vers la droite pour augmenter, vers la gauche pour diminuer. Validez en appuyant sur la touche CLOCK (**l**) ou le bouton BREW (**k**). L'heure paraît. **Fig. 2 et 3.**
 - 2- Vous pouvez aussi programmer ou modifier l'heure à tout autre moment. Appuyez sur le bouton CLOCK (**l**) et tournez le bouton rotatif BREW (**k**). Validez en appuyant sur la touche CLOCK (**l**) ou le bouton BREW (**k**). L'heure paraît.

Note : Votre horloge est maintenant programmée et continuera d'afficher l'heure courante même lorsque votre appareil est en veille.

Si l'appareil est débranché ou en cas de panne de courant, l'horloge reviendra à 1:00 PM. Il faut répéter les instructions ci-dessus pour programmer de nouveau l'horloge.

4. AVANT LA PREMIÈRE UTILISATION

- Retirez les autocollants de la machine.
- Avant la première utilisation, faites fonctionner votre cafetière sans café pour rincer le circuit. Remplissez le réservoir d'eau jusqu'au niveau max et lancez un cycle en appuyant sur le bouton BREW (**k**).

IMPORTANT : Votre appareil a été conçu pour fonctionner seulement avec de l'eau froide ou tempérée.

5. PRÉPARATION DU CAFÉ

- Soulevez le couvercle de la cafetière (b). **Fig. 4.**
- Remplissez la carafe (g) d'eau froide ou tempérée. versez l'eau dans le réservoir d'eau (c) **Fig. 5.** L'indicateur de niveau d'eau affiche le nombre de tasses. Ne dépassez pas 12 tasses. **Fig. 6.**
- Mettez la carafe (g) avec son couvercle sur la plaque chauffante (h) en vous assurant qu'elle est bien placée pour activer le mécanisme permettant au café de s'écouler. **Fig. 9.**
- Il est préférable de retirer le porte-filtre avec le filtre avant d'y ajouter la mouture. Si de la mouture devait être versée par mégarde dans le réservoir, veuillez ne pas lancer le cycle et nettoyer le réservoir. La mouture risque en effet de boucher le circuit d'eau.
- Ajoutez 1 cuillerée KRUPS (v) de mouture par tasse. Ne pas dépasser 12 cuillerées (2 onces). **Fig. 10.**
- Assurez-vous que le porte-filtre (i) est inséré. **Fig. 7.** Mettez le filtre permanent (j) dans le porte-filtre (i) ou un filtre papier n°4. Si vous utilisez un filtre papier, assurez vous qu'il est bien ouvert et bien en place dans le porte-filtre. **Fig. 8a et 8b.**
- Fermez le couvercle (b).
- Appuyez sur la touche BREW (k). La touche s'illumine pour indiquer que la cafetière a démarré le cycle d'infusion. Elle émet un bip. **Fig. 12.**
- Lorsque le cycle est terminé, la fonction maintien au chaud se met en marche automatiquement (le décompte du temps de maintien au chaud s'affiche à l'écran). La touche BREW (k) clignote lentement.
- À la fin, votre appareil émet 3 bips et la touche BREW (k) s'éteint.
- À tout moment pendant le cycle d'infusion, vous pouvez éteindre la cafetière en appuyant simplement sur la touche BREW (k). La lumière du bouton BREW s'éteindra également. Elle émet 3 bips. Même si le cycle d'infusion est terminé, il reste du liquide chaud dans le filtre. Attendez quelques minutes pour que le reste du liquide s'écoule dans la carafe avant de retirer le filtre.

Note :

- La quantité de café dans la carafe à la fin du cycle est inférieure à la quantité d'eau versée dans le réservoir puisque la mouture et le filtre en absorbent environ 10 %.
- Le réservoir est muni d'un orifice de trop-plein à l'arrière de l'appareil. Si vous ajoutez trop d'eau, elle fuira par cet orifice.
- Nettoyez le filtre permanent entre chaque utilisation ou utilisez un nouveau filtre papier.
- L'embout Aroma Tube (h) de la carafe est amovible. Vous pouvez utiliser votre cafetière sans l'Aroma Tube.

ATTENTION :

- Pour éviter tout débordement, la carafe doit être bien placée sur la plaque chauffante de la cafetière, sinon il pourrait y avoir un débordement d'eau chaude ou de café chaud.
- La cafetière devient très chaude pendant le cycle d'infusion. Veuillez la manipuler avec précaution.

6. AUTRES FONCTIONS

6A – DÉPART DIFFÉRÉ (AUTO ON)

Réglage de l'heure du départ différé.

- Votre appareil compte deux programmes de départ différé.
- Assurez-vous que l'horloge est à la bonne heure. Si ce n'est pas le cas, suivez les instructions à la section PROGRAMMATION DE L'HORLOGE.
- Appuyez sur la touche AUTO ON. Une icône AUTO 1 paraît à l'écran. **Fig. 13.**
- Tournez le bouton rotatif BREW (k) pour programmer l'heure. Validez en appuyant sur le bouton BREW (k). L'heure paraît. **Fig. 14 et 15.**
- Sans validation avec le bouton BREW (k), l'heure est enregistrée automatiquement au bout d'environ 5 secondes.
- Pour régler le second programme, appuyez 2 fois sur la touche AUTO ON afin que l'icône AUTO 2 apparaisse à l'écran. **Fig. 16.**
- Tournez le bouton rotatif BREW (k) pour programmer l'heure. Validez en appuyant sur le bouton BREW (k). L'heure paraît. **Fig. 17 et 18.**
- Sans validation avec le bouton BREW (k), l'heure est enregistrée automatiquement au bout d'environ 5 secondes.
- Mettez en marche un départ différé dont l'heure est déjà réglée.
 - Sélectionnez AUTO 1 ou AUTO 2 en appuyant sur le bouton AUTO ON. Appuyez sur le bouton BREW (k) pour lancer le départ différé.

6B – FONCTION TURBO

- Cette fonction vous permet de diminuer la durée d'un cycle.
- Appuyez sur la touche TURBO. **Fig. 11**
- L'icône TURBO apparaît à l'écran.
- La fonction est gardée en mémoire pour les cycles suivants. Vous pouvez annuler cette fonction à tout moment en appuyant sur le bouton TURBO.

6C – REGULAR OU BOLD

- Cette fonction vous permet de préparer un café plus ou moins corsé.
- La fonction BOLD augmente le temps du cycle pour rendre un café plus intense.
- Appuyez sur la touche REG ou BOLD pour sélectionner l'intensité de votre café. **Fig. 19.**
- L'icône REG ou BOLD apparaît à l'écran.
- La fonction est gardée en mémoire pour les cycles suivants.

6D – 1- 4 TASSES

- Pour activer cette fonction, appuyez sur la touche 1-4 (**n**) avant de démarrer le cycle. **Fig. 20.**
- Cette fonction est spécialement conçue pour la préparation de petites quantités de café, de 2 à 4 tasses. Elle améliore l'extraction d'arômes.

6E – MAINTIEN AU CHAUD

DURÉE

- Par défaut, le maintien au chaud de votre appareil est réglé à 2 heures.
- Pour annuler le maintien au chaud, appuyez sur la touche Time (**u**) et la mention KEEP WARM disparaîtra de l'écran.

Pour programmer le temps de maintien au chaud :

- Si la fonction maintien au chaud est déjà activée, appuyez une première fois sur la touche Time (**u**) pour désactiver cette fonction.
- Si la fonction n'est pas activée, appuyez sur la touche Time (**u**) et tournez le bouton BREW (**k**) pour sélectionner la durée de maintien au chaud. Les réglages de maintien au chaud peuvent être de 15 min jusqu'à 4h. **Fig. 21 et 22.**
- Validez en appuyant sur le bouton BREW (**k**) ou par défaut, la validation se fait automatiquement au bout de 5 secondes environ. **Fig. 22**
- KEEP WARM paraît à l'écran et le réglage est pris en compte.
- Pour annuler le maintien au chaud, appuyez à nouveau sur la touche Time (**u**) et cette mention disparaîtra de l'écran.
- Vous pouvez changer la durée de maintien au chaud pendant qu'il est en marche en tournant le bouton Brew (**k**).

TEMPÉRATURE

- Vous pouvez programmer 3 degrés de température pour le maintien au chaud de votre café : LOW, MEDIUM ou HIGH.
- Appuyez sur la touche Temp (**t**) et tournez le bouton BREW (**k**) pour sélectionner le degré de température choisi. **Fig. 23 et 24.**
- Validez en appuyant sur le bouton BREW (**k**) ou par défaut, la validation se fait automatiquement au bout de 5 secondes environ.

7. NETTOYAGE

- Pour enlever la mouture usagée, retirez le filtre et le porte-filtre de la cafetière. **Fig 25a-b et 26a-b.**
- Ne nettoyez pas l'appareil s'il est encore chaud.
- Lavez la carafe, le porte-filtre amovible et le filtre permanent à l'eau chaude savonneuse. Vous pouvez mettre la carafe dans le lave-vaisselle.

ATTENTION : Ne mettez pas la carafe au micro-ondes.

Ne mettez pas les autres pièces de la cafetière au lave-vaisselle.

- Nettoyez la cafetière à l'aide d'un chiffon doux ou d'une éponge humide. N'utilisez jamais de produits abrasifs ou puissants sur n'importe quelle pièce de votre cafetière.
- Pour nettoyer les pièces en acier inoxydable de votre cafetière, humidifiez un chiffon doux ou une éponge à l'eau chaude. Essuyez-les bien à l'aide d'un chiffon sec.

- Pour les taches difficiles, utilisez un chiffon avec du vinaigre blanc.
- N'immergez pas l'appareil dans l'eau ou sous le robinet.

8. DÉTARTRAGE

■ Pourquoi détartrer

- Le calcaire se dépose naturellement dans votre cafetière. Le détartrage préserve la cafetière et en assure une plus longue durée de vie et assure une qualité de café constante dans le temps. Le calcaire risque d'altérer de façon définitive le rendement de l'appareil. Les défauts de fonctionnement liés à l'entartrage ne seront pas pris sous garantie en cas de retour du produit.

■ Quand détartrer

- Lorsque le détartrage est nécessaire, votre machine vous l'indique et l'icône CLEAN apparaît à l'écran.
- **Cependant la fréquence du détartrage dépend de la dureté de l'eau et du nombre de cycles d'infusion. Il peut-être nécessaire de détartrer sa cafetière** lorsque l'on rencontre les signes suivants **même si le message CLEAN n'apparaît pas à l'écran** : temps de cycle rallongé, beaucoup de vapeur, niveau de bruit élevé en fin de cycle, arrêt en cours de cycle, **cela signifie que votre machine est entartrée.**
- Le détartrage de la cafetière doit être fait environ une fois par mois selon la dureté de l'eau.

Comment détartrer votre cafetière KRUPS

- Retirez la cartouche filtrante. **Fig. 26 et 27.**
- Utilisez la solution de détartrage KRUPS® ou 150 ml de vinaigre blanc dilué dans un demi-litre d'eau froide ou tempérée ou bien 40 g d'acide citrique dilué dans un demi-litre d'eau jusqu'à dissolution complète des cristaux. **Fig. 28.**
- Versez la solution dans le réservoir d'eau (sans café). **Fig. 29.**
- Appuyez sur la touche CLEAN (o) puis sur le bouton BREW (k) pour lancer le cycle de détartrage. **Fig. 30.**
- Ce cycle dure 30 min.
- Veuillez patienter jusqu'à la fin du cycle.
- Si le réservoir d'eau n'est pas vidé à la fin du cycle de détartrage, relancez un autre cycle en appuyant sur le bouton CLEAN.
- Afin de rincer la machine, lancez 2 cycles complets de 12 tasses avec l'eau, mais sans café. **Fig. 31.**
- Répétez l'opération au besoin.
- Remettez la cartouche filtrante en place. **Fig. 34 et 35.**
- **La garantie exclut les cafetières ne fonctionnant pas ou mal en raison d'un manque de détartrage.**

CARTOUCHE DUO FILTER

- Votre appareil vous permet de filtrer l'eau avec les filtres DuoFilter : filtre double action – réduction du chlore et du tartre – à base de végétaux actifs. La cartouche Duo Filter vous permet de profiter des arômes les plus délicats de votre café et réduit la fréquence des détartrages.
- Dans sa partie supérieure, le support cartouche filtrante est muni d'un indicateur de remplacement de la cartouche.
- Sélectionnez le numéro du mois lorsque vous remplacez le filtre. Il indiquera le mois auquel vous devez changer votre filtre selon la dureté de l'eau. **Fig. 33.**
- Pour changer le filtre, retirez le DuoFilter du réservoir. **Fig. 26.**
- Ouvrez-le en déverrouillant et en ouvrant la partie inférieure, puis remplacez-le. **Fig. 27.**

IMPORTANT :

Le filtre DuoFilter ne doit être utilisé qu'avec de l'eau.

Votre cafetière fonctionne même si le filtre à eau n'est pas installé.

Si vous n'avez pas utilisé votre cafetière pendant plus d'un mois, rincez le filtre DuoFilter à l'eau courante.

Il est recommandé de ne pas laisser votre filtre DuoFilter sans le remplacer pendant plus de 5 mois.

9. DÉPANNAGE

PROBLÈME	SOLUTION
Le café ne s'infuse pas ou l'appareil ne s'allume pas.	<ul style="list-style-type: none"> ■ Assurez-vous que l'appareil est bien branché sur une prise fonctionnelle, et que l'écran s'allume. ■ Le réservoir d'eau est vide. ■ Il y a eu une panne de courant. ■ Débranchez la machine, puis rebranchez-la. ■ L'horloge doit être reprogrammée après une panne de courant. ■ La fonction d'arrêt automatique a éteint l'appareil. Éteignez l'appareil puis rallumez-le pour préparer d'autre café. Pour plus de renseignements, consultez la section « Préparation du café ».
L'appareil semble fuir.	<ul style="list-style-type: none"> ■ Assurez-vous que le réservoir d'eau n'a pas été rempli au-delà de la limite maximale.
L'infusion prend beaucoup de temps.	<ul style="list-style-type: none"> ■ Il est peut-être temps de détartrer l'appareil. ■ Plusieurs minéraux peuvent s'accumuler dans le circuit de la cafetière. Il est recommandé de détartrer la machine régulièrement. Il est possible de devoir le faire plus fréquemment selon la dureté de votre eau. Pour plus de renseignements, consultez la section « Détartrage ». <p>NOTE : ne démontez pas l'appareil.</p>
Le porte-filtre déborde ou le café s'écoule trop lentement.	<ul style="list-style-type: none"> ■ La cafetière a besoin d'être nettoyée. ■ Il y a trop de café. Nous vous recommandons d'utiliser une cuillère à mesurer ou une cuillerée à soupe de café moulu par tasse. ■ La mouture est trop fine (par exemple, la mouture pour l'espresso ne convient pas à une cafetière à percolation). ■ Il y a de la mouture qui s'est insérée entre le filtre papier et le porte-filtre. ■ Le papier filtre n'est pas bien ouvert ou est mal placé. ■ Rincez le porte-filtre avant d'y mettre le filtre papier afin que ce dernier adhère aux parois humides du porte-filtre. ■ Assurez-vous que vous n'avez pas mis un filtre papier en même temps que le filtre permanent. ■ Il y a plus d'un filtre papier dans le porte-filtre. ■ Assurez vous que le porte-filtre est inséré entièrement.
Le café a mauvais goût.	<ul style="list-style-type: none"> ■ Nettoyez la cafetière. ■ La mouture ne convient pas à votre cafetière. ■ Le proportion de café et d'eau est inadéquate. Modifiez-la selon vos goûts. ■ La qualité et la fraîcheur du café ne sont pas optimales. ■ L'eau est de piètre qualité.
Le café ne s'écoule pas.	<ul style="list-style-type: none"> ■ Assurez-vous qu'il y a de l'eau dans le réservoir. ■ Le système d'écoulement de café est peut-être obstrué. Vous pouvez le nettoyer simplement en le rinçant à l'eau.
L'heure n'est pas exacte (il y a un décalage).	<ul style="list-style-type: none"> ■ La minuterie est synchronisée et dépendante de votre réseau électrique. S'il y a un décalage, nous vous recommandons de programmer l'heure une fois par semaine pour vous assurer qu'elle est exacte.

Si votre appareil ne fonctionne toujours pas correctement, veuillez communiquer avec le service à la clientèle de votre pays.

10. GARANTIE DU FABRICANT

 : www.krups.com

*Ce produit est **réparable** par KRUPS, pendant et après la période de garantie. Les accessoires, consommables et autres pièces remplaçables directement par l'utilisateur, peuvent être achetés, s'ils sont disponibles localement, tel que décrit le site Internet www.krups.com.*

La Garantie

Ce produit est garanti par KRUPS (adresse et contacts figurant sur la liste des pays de la Garantie Internationale KRUPS) contre tout défaut de fabrication ou de matière, **pendant 2 ans**, à partir de la date d'achat.

Cette Garantie Internationale du fabricant KRUPS vient en complément des droits des consommateurs.

La Garantie Internationale du fabricant couvre tous les coûts de remise en état d'un produit reconnu défectueux pour qu'il redevienne conforme à ses spécifications d'origine, par la réparation, la main-d'œuvre, et le remplacement éventuel de pièces défectueuses. Au choix de KRUPS, un produit de remplacement peut être proposé à la place de la réparation du produit défectueux. Les obligations de KRUPS dans le cadre de cette garantie se limitent exclusivement à cette réparation ou ce remplacement.

Conditions et exclusions

La Garantie Internationale de KRUPS ne s'applique que pendant la période définie pour les pays figurant sur la Liste des pays jointe, et n'est valable que sur présentation d'un justificatif d'achat. Le produit peut être déposé directement chez un réparateur agréé, ou peut y être envoyé en recommandé après avoir été emballé de manière adéquate. La liste complète des réparateurs agréés dans chaque pays, ainsi que leurs coordonnées complètes, est disponible sur le site de KRUPS (www.krups.com), ou en composant le numéro du Service à la clientèle précisé dans la liste des pays.

KRUPS n'a aucune obligation de réparer ou d'échanger un produit qui ne serait pas accompagné d'un justificatif d'achat.

Cette garantie ne couvre pas les dommages qui seraient le résultat d'une mauvaise utilisation, d'une négligence, du non-respect des instructions d'utilisation et de maintenance, de l'utilisation avec une alimentation électrique non conforme à celle spécifiée sur la plaque signalétique, ou d'une modification ou d'une réparation non autorisée du produit. Elle n'inclut également pas l'usure normale du produit ni l'entretien ou le remplacement de pièces consommables, ni les cas suivants :

- utilisation d'une eau ou d'un consommable non adapté
- entartrage (tout détartrage doit être réalisé conformément aux instructions dans le mode d'emploi)
- entrée d'eau, de poussière, d'insectes dans le produit
- dommages attribuables à un choc, ou une surcharge
- usage professionnel ou sur un lieu de travail
- tout accident lié à un feu, une inondation, la foudre, etc ...
- verre ou céramique endommagé

Cette garantie ne s'applique pas aux produits ayant subi des coups, ou aux dommages résultant d'une utilisation impropre ou sans entretien, aux problèmes d'emballage ou de transport pendant l'expédition du produit par son propriétaire.

La Garantie internationale de KRUPS couvre exclusivement les produits achetés dans un des pays listés, et utilisés à des fins domestiques également dans un des pays figurant sur la liste des pays. En cas d'utilisation dans un pays différent du pays d'achat :

- a) La Garantie internationale de KRUPS ne s'applique qu'en cas d'adéquation du produit avec les normes et les standards locaux, tels que le voltage, la fréquence électrique, le type de prise électrique, ou toute autre spécification locale.
- b) Le processus de réparation d'un produit acheté à l'extérieur du pays d'emploi peut prendre plus de temps si ce produit n'est pas vendu localement par KRUPS.
- c) Au cas où le produit ne serait pas réparable dans le pays d'emploi, la Garantie Internationale de KRUPS sera limitée au remplacement par un produit équivalent ou un produit de remplacement de même valeur, si c'est possible.

Droits des consommateurs

Cette Garantie Internationale de KRUPS ne touche ni les droits légaux dont bénéficie tout consommateur localement, qui ne sauraient être exclus ou limités, ni les droits légaux envers un distributeur auprès de qui aurait été acheté un produit. Cette Garantie donne au consommateur des droits spécifiques, et le consommateur peut par ailleurs bénéficier des droits particuliers en fonction du pays, de l'État ou de la province. Le consommateur peut faire usage de ces droits de son seul fait.

ÍNDICE

	PÁGINA
1. INSTRUCCIONES DE SEGURIDAD	27
2. DESCRIPCIÓN	29
3. PROGRAMACIÓN DEL RELOJ	29
4. ANTES DE UTILIZAR POR PRIMERA VEZ	29
5. PREPARACIÓN DEL CAFÉ	29
6. OTRAS FUNCIONES	30
6A ARRANQUE DIFERIDO	
6B FUNCIÓN TURBO	
6C REGULAR O INTENSO	
6D 1 - 4 TAZAS	
6E MANTENIMIENTO EN CALIENTE	
7. LIMPIEZA	31
8. DESCALCIFICACIÓN	31
9. REPARACIÓN DE AVERÍAS	33
10. KRUPS GARANTÍA LIMITADA INTERNACIONAL	34

1. INSTRUCCIONES DE SEGURIDAD

Al utilizar electrodomésticos, deben tomarse siempre precauciones de seguridad básicas para reducir el riesgo de incendio, descarga eléctrica y/o lesiones, como las siguientes:

- Lea todas las instrucciones.
- No toque las superficies calientes. Utilice los mangos o asas del producto.
- Para evitar incendios, descargas eléctricas y lesiones, no sumerja el cable, los enchufes ni el aparato en agua ni en ningún otro líquido.
- Si el aparato está siendo utilizado por un niño o cerca de niños, será necesario supervisarlos estrictamente.
- Desenchúfelo de la toma de corriente cuando no esté en uso y antes de limpiarlo. Deje que se enfríe antes de poner o quitar piezas, y antes de limpiarlo.
- No utilice ningún aparato con un cable o enchufe dañado o después de que haya funcionado de forma incorrecta, o que se haya dañado de cualquier modo. Lleve el aparato al servicio de reparación autorizado más cercano para que lo examinen, lo reparen o le hagan los ajustes correspondientes.
- El uso de accesorios no recomendados por el fabricante del aparato puede producir incendios, descargas eléctricas o lesiones.
- No utilice en exteriores.
- No deje que el cable cuelgue por el borde de la mesa o encimera, ni que entre en contacto con superficies calientes.
- No coloque cerca o sobre un fuego eléctrico o de gas caliente, ni en un horno caliente.
- Conecte siempre primero el enchufe al aparato, y luego enchufe el cable a la toma de pared.
- Para desconectar, ponga el control en la posición “off” (apagado) y luego desconecte el enchufe de la toma de pared.
- No utilice el aparato con un fin distinto de aquel para el que ha sido diseñado.
- El recipiente ha sido diseñado para utilizar con este aparato. No se debe utilizar nunca sobre un quemador u hornilla de la cocina.
- No apoye un recipiente caliente sobre una superficie mojada o fría.
- No utilice un recipiente agrietado o un recipiente que tenga el asa suelta o endeble.
- No limpie el recipiente con limpiadores, esponjas de lana de acero u otro material abrasivo.
- Si se quita la tapa durante el ciclo de ebullición, pueden producirse quemaduras.

GUARDE ESTE INSTRUCTIVOS

¡ATENCIÓN!

Este aparato es solamente para uso doméstico. Cualquier servicio salvo limpieza y mantenimiento debe realizarse por un centro de servicio autorizado Krups. Visite nuestra página de internet en: www.krupsusa.com en EUA, www.krups.ca en Canadá ó www.krups.com.mx en México. También puede contactar a su centro de servicio más cercano. Para reducir el riesgo de incendio o choque eléctrico, no desarme el aparato. Las reparaciones deberán realizarse por un centro de Servicio Autorizado Krups.

INSTRUCCIONES ESPECIALES PARA EL CABLE DE ALIMENTACIÓN

- A. Con el aparato se suministra un cable de alimentación corto para reducir el riesgo de que alguien tropiece o se enrede accidentalmente en los pies.
- B. Están disponibles cables de alimentación más largos o extensiones eléctricas y pueden utilizarse teniendo precaución.
- C. Si se utiliza una extensión:
 - 1) las características eléctricas del cable o de la extensión deben ser al menos iguales a las del aparato.
 - 2) si el aparato es del tipo puesta a tierra, la extensión debe ser de tipo puesta a tierra y comprender 3 enchufes y
 - 3) el cable de alimentación o la extensión deben estar puestos de forma que no cuelguen de borde del plano de trabajo de la mesa para que los niños no puedan jalarlo o tropezar accidentalmente.

MEDIDAS DE SEGURIDAD ADICIONALES

- Su aparato está destinado únicamente a un uso doméstico y en el interior de la casa.
- No fue diseñada para ser utilizada en los siguientes casos, que no están cubiertos por la garantía: en rincones de cocinas destinadas al personal en tiendas, oficinas y otros entornos profesionales; en granjas; para su uso por parte de los clientes de los hoteles, moteles y otros entornos de carácter residencial; en entornos tipo habitaciones de huéspedes.
- Este aparato no está diseñado para que lo utilicen los niños o las personas que no lo conozcan o tengan experiencia con el mismo, a menos que lo hagan bajo supervisión, o que alguien responsable por su seguridad les haya instruido previamente en el uso seguro del aparato.
- Si se toca la placa de calor, el agua o el vapor calientes se pueden producir quemaduras. Tome cuidado.
- Todos los aparatos están sujetos a un riguroso control de calidad. Se llevan a cabo pruebas prácticas en aparatos seleccionados de forma aleatoria y esto explicaría cualquier pequeña marca de residuos de café que pudiera haber antes de usar el aparato por primera vez.
- No vierta en el depósito de agua ningún otro líquido que no sea agua y las soluciones descalcificadoras especificadas en este manual.
- Proteja el aparato contra la humedad y heladas.
- No vierta agua en el aparato si todavía está caliente.
- Coloque siempre la cafetera sobre una superficie plana, estable y resistente al calor, alejada de salpicaduras de agua y fuentes de calor externas.
- Nunca coloque la jarra o el recipiente aislado en el horno microondas, en el lavavajillas o sobre la hornilla de la cocina.
- Nunca introduzca la mano en la jarra.
- No use la jarra sin la tapadera.
- No use la jarra térmica si la parte interna de vidrio estuviera quebrada. Si la parte interna de vidrio de la jarra estuviera quebrada, podrían caer en su taza trozos de vidrio.
- Debido al empeño de mejorar sus productos, Krups se reserva el derecho a cambiar las especificaciones sin aviso previo.
- Se suministra un cable de alimentación corto para disminuir el peligro de que se

produzcan enredos o tropiezos con un cable largo.

- Este aparato no se destina para utilizarse por personas (incluyendo niños) cuyas capacidades físicas, sensoriales o mentales sean diferentes o estén reducidas, o carezcan de experiencia o conocimiento, a menos que dichas personas reciban una supervisión o capacitación para el funcionamiento del aparato por una persona responsable de su seguridad.

Los niños deben supervisarse para asegurar que ellos no empleen los aparatos como juguete.

2. DESCRIPCIÓN

- | | |
|--|--|
| a Cuerpo del aparato | m Tecla de selección REGULAR o INTENSO |
| b Tapa | n Tecla 1-4 tazas |
| c Depósito de agua | o Tecla CLEAN |
| d Indicador de nivel de agua | p Tecla AUTO ON |
| e Tapa de la jarra | q Tecla TURBO |
| f Asa de la jarra | r Soporte de cartucho de filtro |
| g Jarra | s Cartucho de filtro |
| h Placa de calentamiento | t Tecla TEMP (MANTENER CALIENTE) |
| i Porta-filtro | u Tecla TIME (MANTENER CALIENTE) |
| j Filtro permanente (evitar tomar filtros de papel) | v Cuchara |
| k Botón giratorio BREW | w Indicador de sustitución del cartucho de filtro |
| l Tecla CLOCK | x Aroma tube |

3. PROGRAMACIÓN DEL RELOJ

- Colocar la cafetera sobre una superficie dura y plana
- Conectar el cable de alimentación a la toma eléctrica de 120 V~.
 - 1 - Cuando se enchufe por primera vez la cafetera, aparecerá «1:00 pm» intermitente en la pantalla. **Fig. 1.** Programe la hora girando el botón giratorio BREW (**k**) hacia la derecha para aumentar el valor, y hacia la izquierda para disminuir el valor. Valide pulsando la tecla CLOCK (**l**) o el botón BREW (**k**). Se muestra la hora. **Fig. 2 y 3.**
 - 2 - También puede programar o modificar la hora en cualquier otro momento. Pulse el botón CLOCK (**l**) y gire el botón giratorio BREW (**k**). Valide pulsando la tecla CLOCK (**l**) o el botón BREW (**k**). Se muestra la hora.

Nota: Ahora ya está programado su reloj y continuará mostrando la hora en curso incluso aunque su aparato se encuentre en espera.

Si se desenlucha el aparato o hay un corte de corriente, el reloj volverá a ponerse en la hora de 1:00 PM. Habrá que seguir las instrucciones anteriores para volver a programar el reloj.

4. ANTES DE UTILIZARLA POR PRIMERA VEZ

- Quite los stickers de su cafetera.
- Antes de utilizarla por primera vez, deberá poner en funcionamiento su cafetera sin café para aclarar el circuito. Rellene el depósito de agua hasta el nivel máximo y lance un ciclo pulsando el botón BREW (**k**).

IMPORTANTE : Su aparato ha sido diseñado para funcionar únicamente con agua fría o templada. 120Vac 60 Hz 1360W.

5. PREPARACIÓN DE CAFÉ

- Abra la tapa de la cafetera (**b**). **Fig. 4.**

- Rellene la jarra (**g**) con agua fría o templada, vierta agua en el depósito de agua (**c**) **Fig. 5**. El indicador del nivel de agua indica el número de tazas. No supere las 12 tazas. **Fig. 6**.
- Ponga la jarra (**g**) con su tapa sobre la placa de calentamiento (**h**) asegurándose de que se ha colocado bien para activar el mecanismo que permita circular al café. **Fig. 9**.
- Es preferible retirar el porta-filtro con el filtro antes de colocar el café molido. Si se vertiera el café molido en el depósito por descuido, no se deberá lanzar el ciclo, limpiando el depósito. El café molido podría taponar el circuito de agua.
- Añada 1 cucharada KRUPS (**v**) de café molido por taza. No sobrepasar las 12 cucharadas (56,70 g). **Fig. 10**.
- Asegúrese de que el porta-filtro (**i**) está bien introducido. **Fig. 7**. Coloque el filtro permanente (**j**) en el porta-filtro (**i**) o en un filtro de papel nº4. Si utiliza un filtro de papel, asegúrese de que queda bien abierto y bien posicionado en el porta-filtro. **Fig. 8a y 8b**.
- Cierre la tapa (**b**).
- Pulse la tecla BREW (**k**). Se enciende la tecla para indicar que la cafetera ha comenzado el ciclo de infusión. Emite un pitido. **Fig. 12**.
- Una vez terminado el ciclo, se activa la función de mantenimiento de calor automáticamente (se visualiza en la pantalla el tiempo de mantenimiento de calor). Parpadea la tecla BREW (**k**) lentamente.
- Al final, su aparato emite 3 pitidos y se apaga la tecla BREW (**k**).
- Durante todo el ciclo de infusión, puede apagar la cafetera pulsando simplemente la tecla BREW (**k**). Se encenderá igualmente la luz del botón BREW. Emite 3 pitidos.
Aunque haya finalizado el ciclo de infusión, quedará líquido caliente en el filtro. Antes de retirar el filtro, espere unos minutos hasta que penetre el resto de líquido en la jarra.

Nota:

- La cantidad de café en la jarra al final del ciclo es inferior a la cantidad de agua vertida en el depósito ya que el café molido y el filtro absorben alrededor del 10%.
- El depósito está equipado de un orificio de demasiado lleno en la parte trasera del aparato. Si vierte demasiada agua, ésta saldrá por este orificio.
- Limpie el filtro permanente entre uso y uso, o utilice un nuevo filtro de papel.
- El Aroma Tube (**h**) de la jarra es amovible, puede utilice la cafetera sin Aroma Tube.

ATENCIÓN :

- **Para evitar cualquier desborde, la jarra se debe ubicar correctamente en la placa calentadora de la cafetera, de lo contrario, podría producirse un desbordamiento de agua caliente o de café caliente.**
- **La cafetera se calienta mucho durante el ciclo de infusión. Manipúlela con precaución.**

6. OTRAS FUNCIONES

6A – ARRANQUE DIFERIDO (AUTO ON)

Ajuste de la hora del arranque diferido.

- Su máquina está equipada con dos programas de arranque diferido.
- Verifique que el reloj marca la hora correcta. Si no fuera así, siga las instrucciones de la sección PROGRAMACIÓN DEL RELOJ.
- Pulse la tecla AUTO ON. Se visualiza un icono AUTO 1 en la pantalla. **Fig. 13**.
- Gire el botón giratorio BREW (**k**) para programar la hora. Valide pulsando el botón BREW (**k**). Se muestra la hora. **Fig. 14 y 15**.
- Si no se realiza la validación con el botón BREW (**k**), se registra automáticamente la hora al cabo de unos 5 segundos.
- Para ajustar el segundo programa, pulse 2 veces la tecla AUTO ON para que aparezca el icono AUTO 2 en la pantalla. **Fig. 16**.
- Gire el botón giratorio BREW (**k**) para programar la hora. Valide pulsando el botón BREW (**k**). Se muestra la hora. **Fig. 17 y 18**.
- Si no se realiza la validación con el botón BREW (**k**), se registra automáticamente la hora al cabo de unos 5 segundos.
- Active un arranque diferido cuya hora ya haya sido ajustada.
- Seleccione AUTO 1 o AUTO 2 pulsando el botón AUTO ON. Pulse el botón BREW (**k**) para activar el arranque diferido.

6B – FUNCIÓN TURBO

- Esta función le permite reducir el tiempo de ciclo de café.
- Pulse la tecla **TURBO**. **Fig. 11.**
- El icono **TURBO** aparece en la pantalla.
- Se guarda en memoria la función para los ciclos siguientes. Puede apagar la función pulsando simplemente la tecla **TURBO**.

6C – REGULAR O INTENSO

- Esta función le permite preparar un café más o menos fuerte.
- La función **BOLD** (**INTENSO**) aumenta el tiempo del ciclo para obtener un café más intenso.
- Pulse la tecla **REGULAR** o **BOLD** (**INTENSO**) para seleccionar la intensidad de su café. **Fig. 19.**
- Aparece en pantalla el icono **REG** o **BOLD**.
- Se guarda en memoria la función para los ciclos siguientes.

6D – 1- 4 TAZAS

- Para activar esta función, pulsar la tecla **1-4 (n)** antes de iniciar el ciclo. **Fig. 20.**
- Esta función ha sido especialmente diseñada para la preparación de pequeñas cantidades de café, entre 2 y 4 tazas. Mejora la extracción de aromas.

6E – MANTENIMIENTO EN CALIENTE

DURACIÓN

- Por defecto el mantenimiento en caliente de su máquina se regula cada 2 horas.
- Para cancelar el mantenimiento en caliente, pulse la tecla **Time (u)**, la tecla **KEEP WARM** desaparecerá de la pantalla.

Para programar la duración de mantenimiento en caliente :

- Si la función de mantenimiento en caliente está ya activada, pulse la tecla **Time (u)** una primera vez para desactivar esta función.
- Si la función no está activada, pulse la tecla **Time (u)** y gire el botón **BREW (k)** para seleccionar la duración de mantenimiento en caliente. Los ajustes de mantenimiento en caliente pueden ser de 15 min hasta 4h. **Fig 21 y 22.**
- Valide pulsando el botón **BREW (k)** o, por defecto, la validación se realiza automáticamente al cabo de aprox. 5 segundos. **Fig 22.**
- **KEEP WARM** aparece en la pantalla y el ajuste está tomado en cuenta.
- Para cancelar el mantenimiento en caliente, pulse la tecla **Time (u)** y esta mención desaparecerá de la pantalla.
- Puede cambiar la duración del mantenimiento en caliente mientras funciona girando el botón **BREW (k)**.

TEMPERATURA

- Puede programar 3 niveles de temperatura para mantener en caliente del café. **LOW**, **MEDIUM** o **HIGH** (bajo, medio o alto).
- Pulse la tecla **Temp (t)** y gire el botón **BREW (k)** para seleccionar el nivel de temperatura elegido. **Fig. 23 y 24.**
- Valide pulsando el botón **BREW (k)** o, por defecto, la validación se realiza automáticamente al cabo de aproximadamente 5 segundos.

7. LIMPIEZA

- Parea retirar el café usado, retire el filtro y el porta-filtro de la cafetera. **Fig 25a-b y 26a-b.**
- No limpie el aparato si se encuentra aún caliente.
- Lave la jarra, el porta-filtro removible y el filtro permanente con agua caliente jabonosa. Puede meter la jarra en el lavavajillas.

ATENCIÓN : No meta la jarra en el microondas.

No meta el resto de elementos de la cafetera en el lavavajillas.

- Limpie la cafetera utilizando un paño suave o una esponja húmeda. No utilice nunca productos abrasivos o fuertes en ninguna de las piezas de la cafetera.
- Para limpiar las piezas de acero inoxidable de su cafetera, humedezca un paño suave o una esponja con agua caliente. Séquelas bien con un trapo seco.
- Para las manchas difíciles, utilice un paño con vinagre blanco.
- No sumerja nunca el aparato en agua ni lo ponga bajo el grifo.

8. DESCALCIFICACIÓN

■ Por qué hacer la descalcificación

- Se deposita la cal de forma natural en su cafetera. La descalcificación conserva la cafetera, asegurándole una mayor duración y una calidad de café constante en el tiempo. La cal corre el riesgo de alterar de forma definitiva el funcionamiento de la máquina. El mal funcionamiento vinculado a la falta de descalcificación no estará incluido en la garantía en el caso de devolución del producto.

■ Cuándo descalcificar

- Cuando sea necesario descalcificar, la máquina mostrará en pantalla el icono CLEAN.
- **No obstante, la frecuencia de descalcificación depende de la dureza del agua y del número de ciclo de café. Puede ser necesario descalcificar la cafetera cuando aparezcan las siguientes señales incluso aunque el mensaje CLEAN no aparezca en la pantalla : tiempo de ciclo prolongado, salida de vapor en exceso, nivel elevado de ruido al final del ciclo, parada durante el ciclo; esto quiere decir que su máquina tiene calcificación.**
- La descalcificación de la cafetera deberá producirse al menos una vez al mes según la dureza del agua.

Cómo descalcificar la cafetera KRUPS

- Retirar el cartucho de filtro. **Fig. 26 y 27.**
- Utilizar la solución de descalcificación KRUPS® o 15 cl de vinagre blanco diluido en medio litro de agua fría o templada, o usar 40gr de ácido cítrico diluido en medio litro de agua hasta la disolución completa de los cristales. **Fig. 28.**
- Verter la solución en el depósito de agua (sin café). **Fig. 29.**
- Pulse la tecla CLEAN (o), pulsando después el botón BREW (k) para lanzar el ciclo de desincrustado. **Fig. 30.**
- El ciclo dura 30 min.
- Tenga paciencia hasta el final del ciclo.
- Si el tanque de agua no está vacío, realice otro ciclo para eliminar sarro apretando el botón CLEAN (limpiar).
- Para aclarar la máquina, lance 2 ciclos completos de 12 tazas con agua pero sin café. **Fig. 31.**
- Repetir la operación si fuera necesario.
- Sustituya el cartucho filtrante. **Fig. 34 y 35.**
- **La garantía excluye aquellas cafeteras que no funcionan o que funcionan mal por no haberse realizado la descalcificación.**

CARTUCHO DUO FILTER

- La máquina le permite filtrar el agua con los filtros DuoFilter: filtro de doble acción (reduce el cloro y sarro), fabricado con vegetales activos. Este DuoFilter le permite aprovechar los aromas más delicados de su café y reduce la frecuencia de la descalcificación.
- En su parte superior el soporte del cartucho filtrante está provisto de un indicador de sustitución del cartucho.
- Seleccione el número del mes en el que sustituye el filtro. Se visualiza, por tanto, el mes en el que deberá cambiar el filtro según la dureza del agua. **Fig. 33.**
- Para cambiar el filtro, retire el DuoFilter del depósito. **Fig. 26.**
- Ábralo desenroscando y abriendo la parte inferior, y sustitúyalo. **Fig. 27.**

IMPORTANTE:

El filtro DuoFilter solo se debe utilizar con agua.

Su cafetera funciona incluso si el filtro de agua no se encuentra instalado.

Si no ha utilizado su cafetera durante más de un mes, aclare el filtro DuoFilter con agua corriente.

Se recomienda no dejar su filtro DuoFilter sin cambiarlo más de 5 meses.

9. REPARACIÓN DE AVERÍAS

PROBLEMA	SOLUCIÓN
No se infunde el café o no se enciende la máquina.	<ul style="list-style-type: none"> ■ Asegúrese de que la máquina está bien enchufada a una toma eléctrica funcional, y que la pantalla se enciende. ■ El depósito de agua se encuentra vacío. ■ Se ha producido un corte de corriente. ■ Desconecte la máquina, y vuelva a conectarla. ■ Se deberá volver a programar el reloj después de un corte de corriente. ■ La función de parada automática ha encendido el aparato. Apague la máquina y vuelva a encenderla para preparar otro café. Si desea más información, consulte la sección «Preparación del café».
Parece que la máquina gotea.	<ul style="list-style-type: none"> ■ Asegúrese de que no se ha llenado el depósito de agua por encima del límite máximo.
La infusión tarda mucho tiempo.	<ul style="list-style-type: none"> ■ Puede que sea momento de descalcificar la máquina. ■ Pueden acumularse varios minerales en el circuito de la cafetera. Se recomienda descalcificar la máquina con regularidad. Es posible que haya que hacerlo con más frecuencia dependiendo de la dureza del agua. Si desea más información, consulte la sección «Descalcificación». <p>NOTA: no desmonte la máquina.</p>
El porta-filtro se desborda o el café filtra demasiado lentamente.	<ul style="list-style-type: none"> ■ Es necesario limpiar la cafetera. ■ Hay demasiado café. Recomendamos utilizar una cuchara medidora o una cuchara sopera de café molido por taza. ■ El café molido es muy fino (por ejemplo, el café molido para el expreso no le viene bien a una cafetera de percolación). ■ Hay café molido que se ha insertado entre el filtro de papel y el porta-filtro. ■ El filtro de papel no está bien abierto o se encuentra mal posicionado. ■ Aclare el porta-filtro antes de colocar el filtro de papel para que este último se adhiera a las paredes húmedas del porta-filtro. ■ Verifique que no haya colocado un filtro de papel con un filtro permanente. ■ Hay más de un filtro de papel en el porta-filtro. ■ Asegure usted que el porta-filtro es insertado totalmente.
El café tiene mal sabor.	<ul style="list-style-type: none"> ■ Limpie la cafetera. ■ El café molido no es adecuado para su cafetera. ■ La proporción de café y de agua no es la adecuada. Ajústela según sus gustos. ■ La calidad y el frescor del café no son los óptimos. ■ El agua es de baja calidad.
El café no circula.	<ul style="list-style-type: none"> ■ Verifique que hay agua en el depósito. ■ Quizá el sistema de circulación de café esté obstruido. Puede limpiarlo simplemente aclarando el agua.
La hora no es la exacta (hay un desfase).	<ul style="list-style-type: none"> ■ El minutero está sincronizado y depende de la red eléctrica. Si hay un desfase, recomendamos programar la hora una vez a la semana para garantizar su exactitud.

Si el aparato no funciona correctamente, comuníquese con el servicio de atención al cliente de su país.

10. KRUPS GARANTÍA LIMITADA INTERNACIONAL

 : www.krups.com

*Este producto es **susceptible de reparación** por KRUPS durante y después del periodo de garantía. Los accesorios, consumibles y componentes reemplazables por el usuario final, caso de estar disponibles localmente, pueden ser adquiridos tal y como se describe en la página web de KRUPS www.krups.com.*

La garantía

Este es un producto garantizado por KRUPS (la dirección y demás datos de la compañía figuran en la lista de países de la Garantía Internacional KRUPS) contra defectos de fabricación o en los materiales **durante DOS AÑOS** en aquellos países que figuran en la lista de países incluida en la última página del manual de usuario, a partir de la fecha de compra. La garantía internacional que KRUPS emite como fabricante es una ventaja adicional que no afecta a los derechos legales del consumidor.

La garantía internacional del fabricante cubre todos los costes de restitución del producto defectuoso, de forma que se ajuste a sus especificaciones originales, ya sea mediante su reparación o la sustitución de los componentes defectuosos y la mano de obra necesaria. A criterio de KRUPS podrá sustituir el producto defectuoso, en lugar de repararlo. La reparación o sustitución del producto es la única obligación de KRUPS y la única y exclusiva solución facilitada al cliente en virtud de la presente garantía.

Condiciones y exclusiones

La garantía internacional KRUPS únicamente será de aplicación durante 2 años y en los países relacionados en la Lista de Países adjunta, y será válida solamente cuando vaya acompañada de una prueba de compra. Se puede llevar el producto en persona directamente a un Servicio Post-venta autorizado, o embalarlo adecuadamente y enviarlo, por correo certificado (o envío postal equivalente), a un Servicio Post-venta autorizado de KRUPS. La dirección completa de los Servicios Post-venta autorizados en cada país puede obtenerse en la página web de KRUPS (www.krups.com) o llamando al número de teléfono del país en cuestión indicado en la Lista de Países, en el que le proporcionarán la dirección de correo. KRUPS no estará obligada a reparar o sustituir productos que no vayan acompañados de una prueba de compra válida.

Esta garantía no cubrirá los daños que puedan producirse como resultado de usos incorrectos, negligencia, inobservancia de las instrucciones de KRUPS, conexión a corrientes o voltajes distintos de los impresos en el producto, o una modificación o reparación no autorizada del producto. Tampoco cubre el uso y desgaste habitual, el mantenimiento o sustitución de consumibles, ni lo siguiente:

- la utilización de un tipo de agua o cualquier otro producto inadecuado
- la calcificación (las descalcificaciones deberán realizarse con arreglo a las instrucciones de uso)
- el acceso de agua, polvo o insectos dentro del producto
- daños mecánicos, sobrecarga
- uso profesional o comercial
- daños o malos resultados debidos a un voltaje o frecuencia equivocados
- accidentes, incluidos incendios, inundaciones, rayos, etc.
- daños en los materiales de vidrio o porcelana del producto

Esta garantía no se aplica a productos que hayan sido manipulados, ni en el caso de daños ocasionados por un uso o mantenimiento indebidos, un embalaje inadecuado por parte del consumidor o por una manipulación incorrecta del transportista.

La garantía internacional KRUPS se aplica únicamente a productos adquiridos en uno de los países relacionados, y destinados exclusivamente a uso doméstico en uno de los países indicados en la Lista de Países. Cuando un producto sea adquirido en un país incluido en la Lista y posteriormente se utilice en otro país incluido en la Lista:




- a) La garantía internacional KRUPS no se aplica en caso de no conformidad del producto adquirido con las especificidades locales, tales como el voltaje, la frecuencia, las tomas de corriente u otras especificaciones técnicas locales.
- b) El proceso de reparación para productos adquiridos fuera del país de uso puede precisar de un plazo mayor si KRUPS no comercializa localmente el producto.
- c) En los casos en los que el producto no sea susceptible de reparación en el país de utilización, la garantía internacional KRUPS se limitará a la sustitución por un producto similar o un producto alternativo de precio similar, siempre que sea posible.

Derechos legales de los consumidores




La garantía internacional KRUPS no afecta a los derechos legales de los consumidores ni a derechos que no puedan ser excluidos o restringidos, ni a los derechos que el consumidor tenga frente al comerciante minorista que le vendió el producto. Esta garantía proporciona al consumidor derechos legales específicos, y el consumidor también podrá tener otros derechos legales que variarán de una región a otra o de un país a otro. El consumidor ejercerá esos derechos a su criterio.

KRUPS INTERNATIONAL GUARANTEE: COUNTRY LIST

www.krups.com

		
ARGENTINA	0800-122-2732	GRUPE SEB ARGENTINA S.A. Billinghurst 1833 3° C1425DTK Capital Federal Buenos Aires
ՀԱՅԱՍՏԱՆ ARMENIA	010 55-76-07	ՓԲԸ <<ԳՐՈՒՊԱ ՄԵԲ>> 125171, ՄՈՍԿՎԱ, ԼԵՆԻՆԳՐԱԴՍԿԱՆ ԽՈՒՆԻՆԻ, 16Ա, ՇԻՆ.3
AUSTRALIA	1 300 307 824	GRUPE SEB AUSTRALIA PO Box 7535, Silverwater NSW 2128
ÖSTERREICH AUSTRIA	01 890 3476	GRUPE SEB DEUTSCHLAND GmbH / KRUPS GmbH Theodor-Stern-Kai 1 60486 Frankfurt am Main
البحرين BAHRAIN	17291537	www.krups.com
БЕЛАРУСЬ BELARUS	017 2239290	ЗАО «Группа СЕБ-Восток», 125171, Москва, Ленинградское шоссе, д. 16А, стр. 3
BELGIQUE BELGIE BELGIUM	070 23 31 59	GRUPE SEB BELGIUM SA NV 25 avenue de l'Espérance - ZI 6220 Fleurus
BOSNA I HERCEGOVINA	Info-linija za potrošače 033 551 220	SEB Development Predstavništvo u BiH Vrazova 8/II 71000 Sarajevo
BRASIL BRAZIL	11 2915-4400	SEB COMERCIAL DE PRODUTOS DOMÉSTICOS LTDA Rua Venâncio Aires, 433, Pompéia, São Paulo/SP
БЪЛГАРИЯ BULGARIA	0700 10 330	ГРУП СЕБ БЪЛГАРИЯ ЕООД бул. България 81 В, ет. 5 1404 София
CANADA	1-800-418-3325	GRUPE SEB CANADA 345 Passmore Avenue Toronto, ON M1V 3N8
CHILE	02 2 884 46 06	GRUPE SEB CHILE Comercial Ltda Av. Providencia, 2331, piso 5, oficina 501 Santiago
COLOMBIA	018000520022	GRUPE SEB COLOMBIA Apartado Aereo 172, Kilometro 1 Via Zipaquira Cajica Cundinamarca
HRVATSKA CROATIA	01 30 15 294	SEB mku & p d.o.o. Sarajevska 29, 10000 Zagreb
ČESKÁ REPUBLIKA CZECH REPUBLIC	731 010 111	Groupe SEB ČR s.r.o. Futurama Business Park (budova A) Sokolovská 651/136a 186 00 Praha 8
DANMARK DENMARK	44 663 155	GRUPE SEB NORDIC AS Tempovej 27 2750 Ballerup
مصر EGYPT	16622	جروب سب ايجيبت القاهرة: ١٢١ شارع الحجاز، مصر الجديدة الإسكندرية: طريق أم مايو، سموحة
EESTI ESTONIA	668 1286	GRUPE SEB POLSKA Sp. z o.o. ul. Bukowińska 22b 02-703 Warszawa
SUOMI FINLAND	09 622 94 20	Groupe SEB Finland Kutojantie 7 02630 Espoo
France Continentale + Guadeloupe, Martinique, Réunion, Saint-Martin	09 74 50 10 61	GRUPE SEB France Service Consommateur Krups 112 Ch. Moulin Carron, TSA 92002 69134 ECULLY Cedex

		
DEUTSCHLAND GERMANY	0212 387 400	GRUPE SEB DEUTSCHLAND GmbH / KRUPS GmbH Theodor-Stern-Kai 1 60486 Frankfurt am Main
ELLADA GREECE	2106371251	SEB GROUPE ΕΛΛΑΔΟΣ Α.Ε. Οδός Καβαλιέρατου 7 Τ.Κ. 145 64 Κ. Κηφισιά
香港 HONG KONG	852-8137 0128	SEB ASIA Ltd. Room 903, 9/F, South Block, Skyway House 3 Sham Mong Road, Tai Kok Tsui, Kowloon Hong-Kong
MAGYARORSZÁG HUNGARY	06 1 801 8434	GRUPE SEB CENTRAL-EUROPE Kft. Táviró köz 4 2040 Budaörs
INDONESIA	+62 21 5793 7007	GRUPE SEB INDONESIA (Representative office) Sudirman Plaza, Plaza Marein 8th Floor JL. Jendral Sudirman Kav 76-78, Jakarta 12910, Indonesia
ITALIA ITALY	1 99 207 701	GRUPE SEB ITALIA S.p.A. Via Montefeltro, 4 20156 Milano
日本 JAPAN	0570-077772	株式会社グループセブジャパン 〒144-0042 東京都大田区羽田旭町11-1 羽田クロノゲート事務棟5F
الأردن JORDAN	4629700	www.krups.com
ҚАЗАҚСТАН KAZAKHSTAN	727 378 39 39	ЖАҚ «Группа СЕБ- Восток» 125171, Мәскеу, Ленинградское шоссесі,16А, 3 үйі
한국어 KOREA	1588-1588	(유)그룹 세브 코리아 서울시 종로구 정계천로 35 관정빌딩 2층 110-790
الكويت KUWAIT	24831000	www.krups.com
LATVJA LATVIA	6 616 3403	GRUPE SEB POLSKA Sp. z o.o. ul. Bukowińska 22b, 02-703 Warszawa
لبنان LEBANON	1364392	www.krups.com
LIETUVA LITHUANIA	5 214 0057	GRUPE SEB POLSKA Sp. z o.o. ul. Bukowińska 22b, 02-703 Warszawa
LUXEMBOURG	0032 70 23 31 59	GRUPE SEB BELGIUM SA NV 25 avenue de l'Espérance - ZI 6220 Fleurus
МАКЕДОНИЈА MACEDONIA	(02) 20 50 319	ГРУП СЕБ БЪЛГАРИЈА ЕООД бул. България 81 В, ет. 5 1404 София
MALAYSIA	603 7802 3000	GRUPE SEB MALAYSIA SDN. BHD Unit No. 402-403, Level 4, Uptown 2, No. 2, Jalan SS21/37, Damansara Uptown, 47400, Petaling Jaya, Selangor D.E Malaysia
MEXICO	(01800) 112 8325	Groupe.S.E.B. México, S.A. DE C.V. Goldsmith 38 Desp. 401, Col. Polanco Delegación Miguel Hildaigo 11 560 México D.F.
MOLDOVA	22 929249	ТОВ «Грул СЕБ Україна» 02121, Харківське шосе, 201-203, 3 поверх, Київ, Україна
NEDERLAND The Netherlands	0318 58 24 24	GRUPE SEB NEDERLAND B.V. De Schutterij 27 3905 PK Veenendaal

		
NEW ZEALAND	0800 700 711	GRUPE SEB NEW ZEALAND PO Box 17 – 298, Greenlane, 1546 Auckland New Zealand
NORGE NORWAY	815 09 567	GRUPE SEB NORDIC AS Tempovej 27 2750 Ballerup
عمان سلطنة OMAN	80075000	www.krups.com
POLSKA POLAND	801 300 420 koszt jak za połączenie lokalne	GRUPE SEB POLSKA Sp. z o.o. ul. Bukowińska 22b 02-703 Warszawa
PORTUGAL	808 284 735	GRUPE SEB IBÉRICA SA Urb. da Matinha Rua Projectada à Rua 3 Bloco1 - 3° B/D 1950 - 327 Lisboa
قطر QATAR	44485555	www.krups.com
REPUBLIC OF IRELAND	01 677 4003	GRUPE SEB IRELAND Unit B3 Aerodrome Business Park, College Road, Rathcoole, Co. Dublin
ROMANIA	0 21 316 87 84	GRUPE SEB ROMÂNIA Str. Ermil Pangratti nr. 13 011881 București
РОССИЯ RUSSIA	495 213 32 28	ЗАО «Группа СЕБ-Восток», 125171, Москва, Ленинградское шоссе, д. 16А, стр. 3
السعودية العربية المملكة SAUDI ARABIA	920023701	www.krups.com
SRBIJA SERBIA	060 0 732 000	SEB Development Đorđa Stanojevića 11b 11070 Novi Beograd
SINGAPORE	6550 8900	GRUPE SEB SINGAPORE Pty Ltd. 59 Jalan Pemipin, #04-01/02 L&Y Building Singapore 577218
SLOVENSKO SLOVAKIA	232 199 930	GRUPE SEB Slovensko, spol. s r.o. Cesta na Senec 2/A 821 04 Bratislava
SLOVENIJA SLOVENIA	02 234 94 90	SEB d.o.o. Gregorčičeva ulica 6 2000 MARIBOR
SOUTH AFRICA	0100201730	GS South Africa Building 17, PO BOX 107 The Woodlands Office Park, 20 Woodlands Drive, Woodmead 2080
ESPAÑA SPAIN	902 31 23 00	GRUPE SEB IBÉRICA S.A. C/ Almogàvers, 119-123, Complejo Ecurban 08018 Barcelona
SVERIGE SWEDEN	08 594 213 30	TEFAL SVERIGE SUBSIDIARY OF GROUPE SEB NORDIC Truckvägen 14 A, 194 52 Upplands Väsby
SUISSE SCHWEIZ SWITZERLAND	044 837 18 40	GRUPE SEB SCHWEIZ GmbH Thurgauerstrasse 105 8152 Glattpark
ประเทศไทย THAILAND	02 769 7477	GRUPE SEB THAILAND 2034/66 Italthai Tower, 14th Floor, n° 14-02, New Phetchburi Road, Bangkapi, Huaykwang, Bangkok, 10320

		
TÜRKİYE TURKEY	444 40 50	GRUPE SEB ISTANBUL AS Dereboyu Cd. Bilim Sk. Sun Plaza No:5 K:2 Maslak 34398 Istanbul
المتحدة العربية الامارات UAE	8002272	www.krups.com
Україна UKRAINE	044 300 13 04	ТОВ «Груп СЕБ Україна» 02121, Харківське шосе, 201-203, 3 поверх, Київ, Україна
UNITED KINGDOM	0345 330 6460	GRUPE SEB UK LTD Riverside House, Riverside Walk Windsor, Berkshire, SL4 1NA
U.S.A.	800-526-5377	GRUPE SEB USA 2121 Eden Road Millville, NJ 08332
VENEZUELA	0800-7268724	GRUPE SEB VENEZUELA Av Eugenio Mendoza, Centro Letonia, Torre ING Bank, Piso 15, Ofc 155 Urb. La Castellana, Caracas

www.krups.com

22/12/2015

EN p. 7

FR p. 16

ES p. 26