


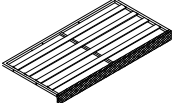
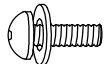
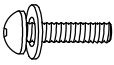

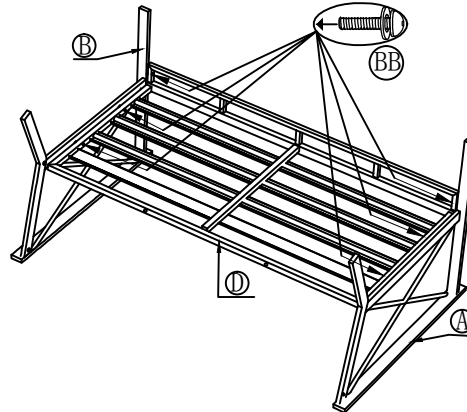


Assembly Instruction

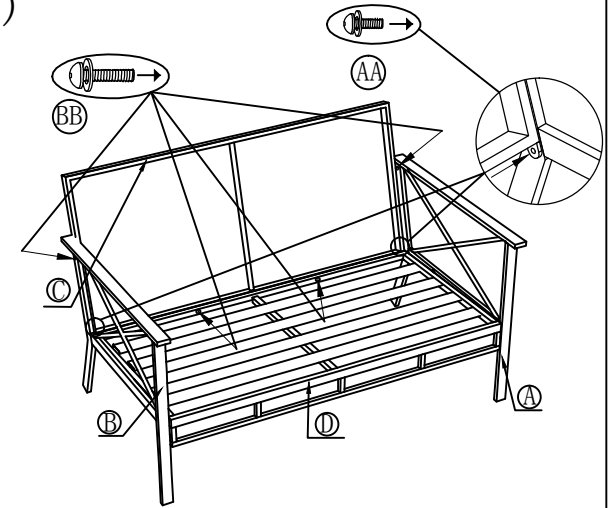
LQ632L

NO.	PART LIST	DESCRIPTION	Q/TY PCS
A		LEFT ARMREST	1PC
B		RIGHT ARMREST	1PC
C		BACK	1PC
D		SEAT	1PC
AA		BOLT M6X15	2PCS
BB		BOLT M6X30	10PCS
CC		HEX WRENCH	

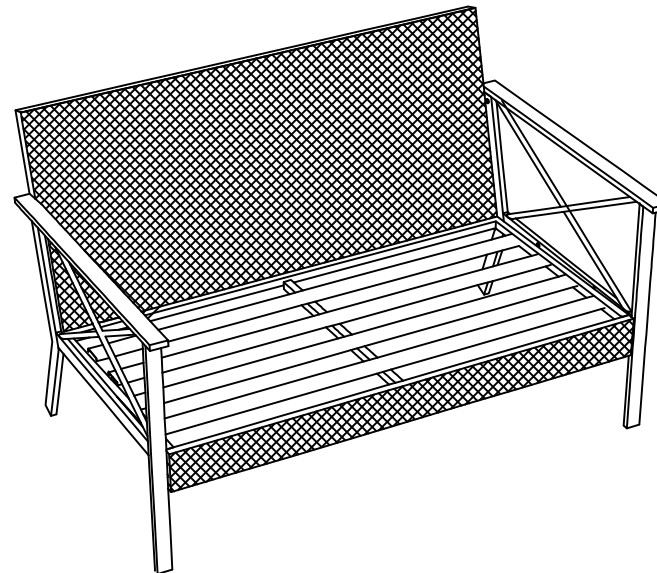
(1)



(2)



(3)



Note:do not tighten bolts until all parts are connected