



**Ships in 7-10 Days**  
**Marine Grade Polymer**  
**Factory Built to Order**

# SPECIFICATION GUIDE

---

MARINE GRADE  
OUTDOOR CABINETS

[weatherstrong.com](http://weatherstrong.com)

# TABLE OF CONTENTS

The WeatherStrong Difference .....	2
Door Styles .....	4
Finishes & Features .....	5
Construction Options .....	6
Open Back Wall Cabinets.....	7-10
Full Back Wall Cabinets .....	11-14
Open Back Base Cabinets.....	15-16
Island Back Base Cabinets.....	17-18
Island Back Grill Cabinets.....	19
Open Back Utility Cabinets .....	19
Bar Back Base Cabinets.....	20-21
Accessories.....	22
Warranty .....	23

**Assembly:** WeatherStrong cabinets are built with precision dowel alignment and a fast cure solvent-free structural marine adhesive system that provides excellent flexibility, toughness and bond strength.

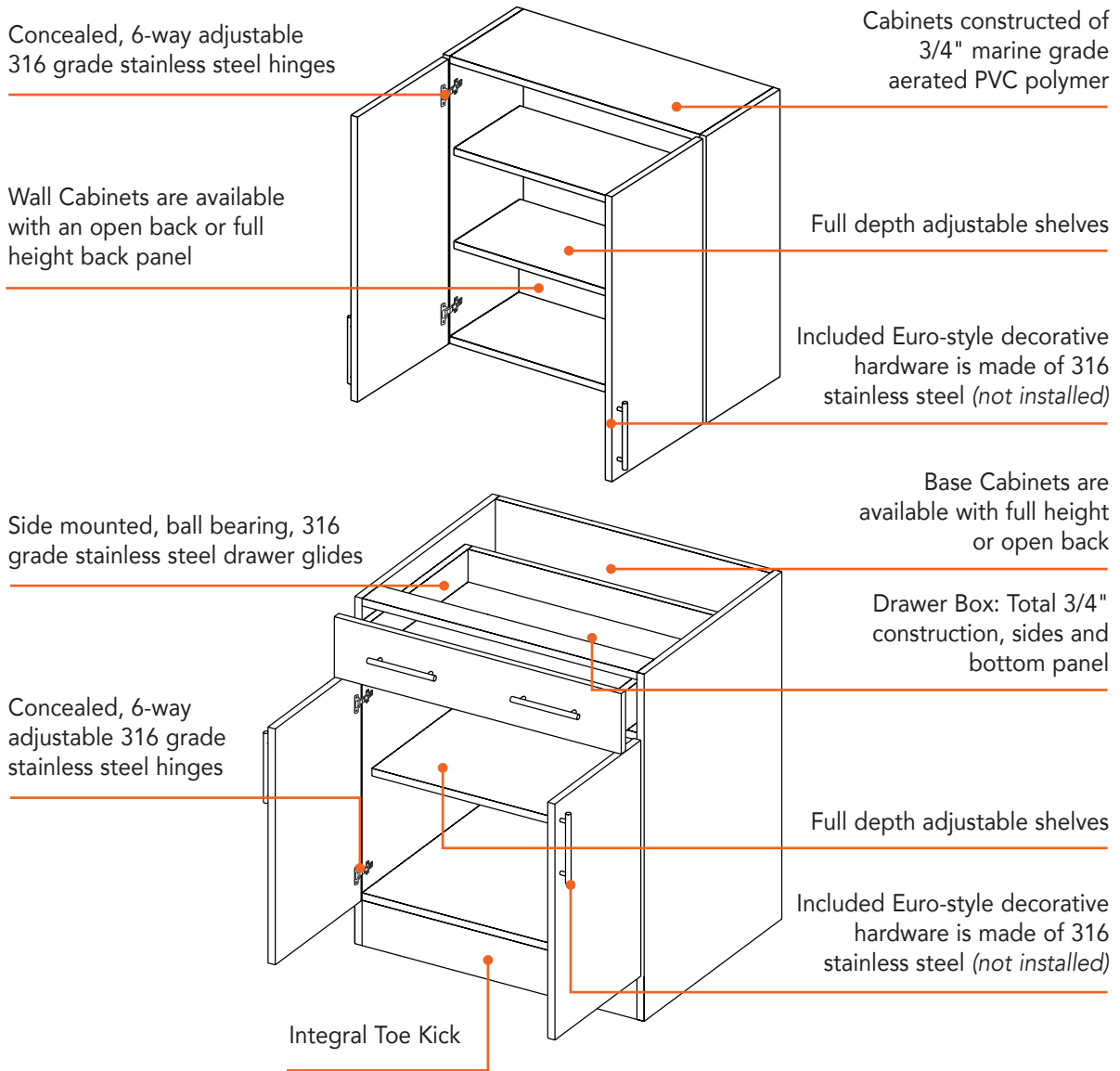
**Installation to Exterior Walls:** WeatherStrong can be installed indoors or out. To fasten cabinets to stucco, brick, or concrete block walls, stainless steel Tapcon® fasteners are recommended (3/16" x 2¾"), sold separately. For base cabinets two fasteners are recommended, and four are recommended for wall cabinet installations.

**Limitations:** Surface temperatures in excess of 140° F may result in warping. In extremely warm climates consider airflow if installing in direct sunlight. Free-standing grills with adequate space from direct heat are recommended or grills with insulated liners specified by the grill manufacturer can be installed in WeatherStrong cabinets.

**Salt Water Environments:** Oceanfront environments with salt air and sea spray will require regular maintenance and cleaning to prevent rust from forming on the handles, hinges and drawer runners. Clean stainless steel surfaces several times a month to keep the chemical reaction from the salt from gaining a foothold on the hardware. With regular cleaning, your cabinets will look like new for many years. To achieve maximum corrosion and stain resistance, the surface of the stainless steel must be kept clean.

**Clean Up:** Wash WeatherStrong with water and a soft cloth or sponge. A mild dishwashing liquid can be used if needed. For tougher to clean spots, wash with Simply Green All-Purpose Household Cleaner. A soft bristle brush may be used if needed.

# THE WEATHERSTRONG DIFFERENCE

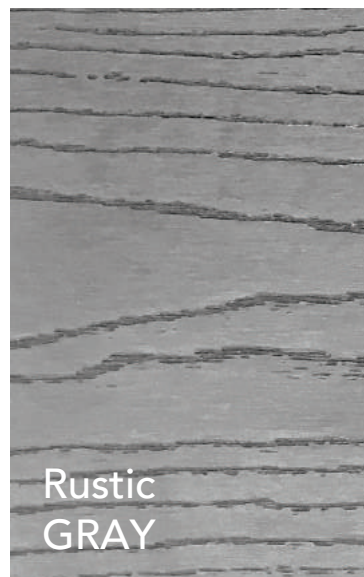
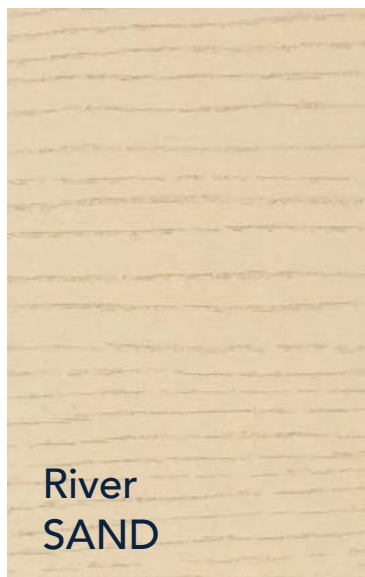


WeatherStrong cabinets are manufactured in the U.S.A. from a 3/4" Marine Grade waterproof polymer to stand up to the harsh elements Mother Nature can send your way. Pounding rain, hot summers and cold snowy winters are no problem. **Your WeatherStrong cabinets are tough enough to take it.** The factory finish is a wood grain textured

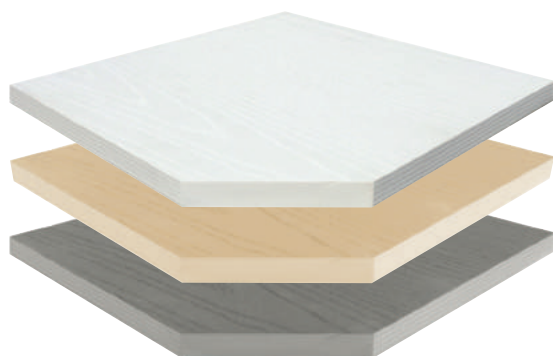
embossed surface available in four door styles and three colors. All door handles, hinges and drawer runners are stainless steel, top rated for outdoor use. All cabinets are factory built in a variety of sizes and options, making WeatherStrong perfect for any outdoor, wet room or garage application. **WeatherStrong Ships in 7 to 10 Days.**



# FINISHES & FEATURES



The factory finish is a wood grain textured embossed surface, available in four door styles in three colors.



Material features consistent color all the way through. Any unfortunate scratches or nicks will be less visible.



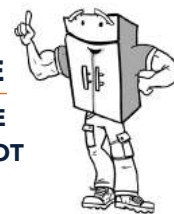
7" Stainless Steel Handles



Stainless Steel Hinges

All cabinets include 7" Euro-Style 316 grade stainless steel handles and adjustable 316 grade stainless steel hinges.

**PLEASE NOTE**  
**7" HANDLES ARE**  
**INCLUDED BUT NOT**  
**INSTALLED.**





# DOOR STYLES



## MIAMI

- Available in Radiant White, River Sand and Rustic Gray
- Flat panel door with a wood grain texture exterior finish
- Cabinets constructed of a solid 3/4" Marine Grade Polymer
- 7" 316 stainless steel Euro-style handles included but not installed
- Fully concealed 316 stainless steel hinges



## PALM BEACH

- Available in Radiant White, River Sand and Rustic Gray
- Flat panel door with a Shaker-inspired routed center panel design. Features a wood grain texture exterior finish
- Cabinets constructed of a solid 3/4" Marine Grade Polymer
- 7" 316 stainless steel Euro-style handles included but not installed
- Fully concealed 316 stainless steel hinges



## NAPLES

- Available in Radiant White, River Sand and Rustic Gray
- Flat panel door with a routed cottage-inspired center panel design. Features a wood grain texture exterior finish
- Cabinets constructed of a solid 3/4" Marine Grade Polymer
- 7" 316 stainless steel Euro-style handles included but not installed
- Fully concealed 316 stainless steel hinges



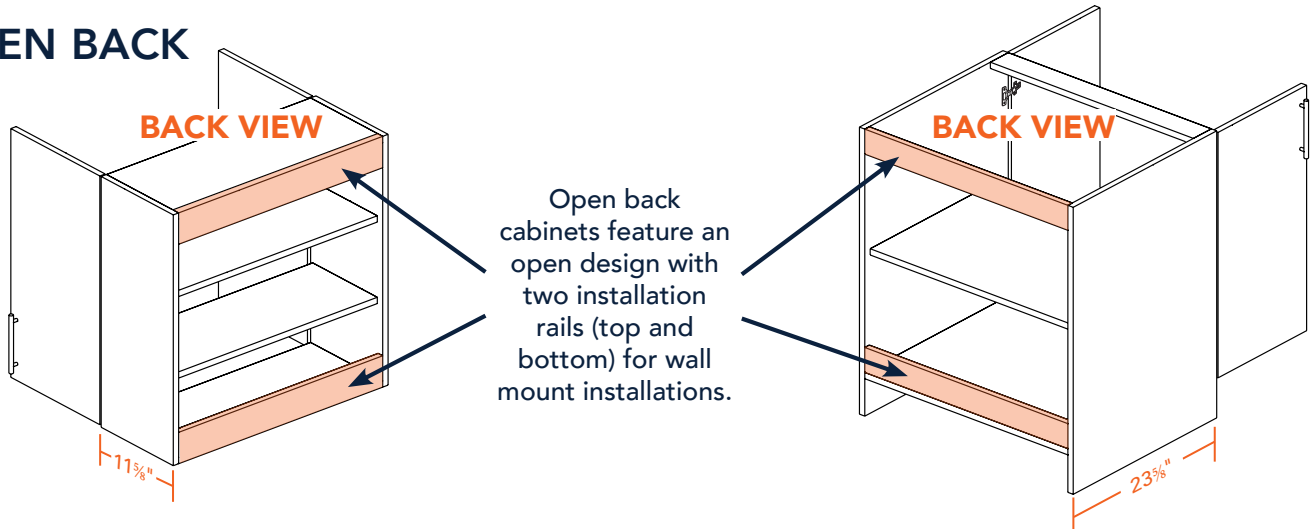
## KEY WEST

- Available in Radiant White, River Sand and Rustic Gray
- Flat panel door with a routed louver-inspired center panel design. Features a wood grain texture exterior finish
- Cabinets constructed of a solid 3/4" Marine Grade Polymer
- 7" 316 stainless steel Euro-style handles included but not installed
- Fully concealed 316 stainless steel hinges



# CONSTRUCTION OPTIONS

## OPEN BACK

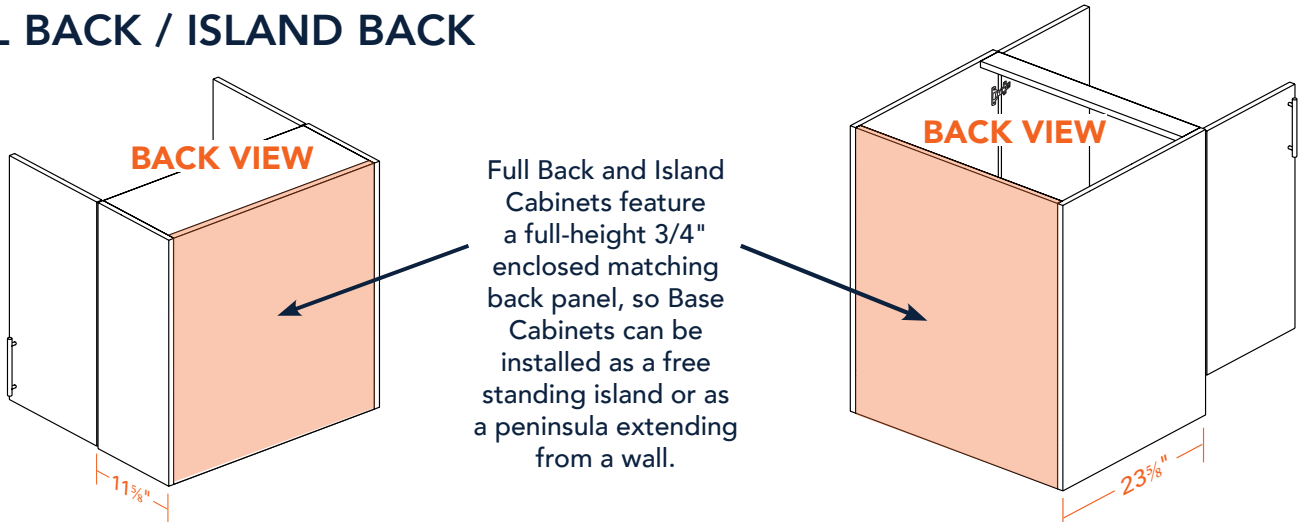


Open back cabinets feature an open design with two installation rails (top and bottom) for wall mount installations.

\* Wall Cabinets are 11 5/8" Deep, add 3/4" for door thickness

\* Base Cabinets are 23 5/8" Deep, add 3/4" for door thickness

## FULL BACK / ISLAND BACK



Full Back and Island Cabinets feature a full-height 3/4" enclosed matching back panel, so Base Cabinets can be installed as a free standing island or as a peninsula extending from a wall.

\* Wall Cabinets are 11 5/8" Deep, add 3/4" for door thickness

\* Base Cabinets are 23 5/8" Deep, add 3/4" for door thickness

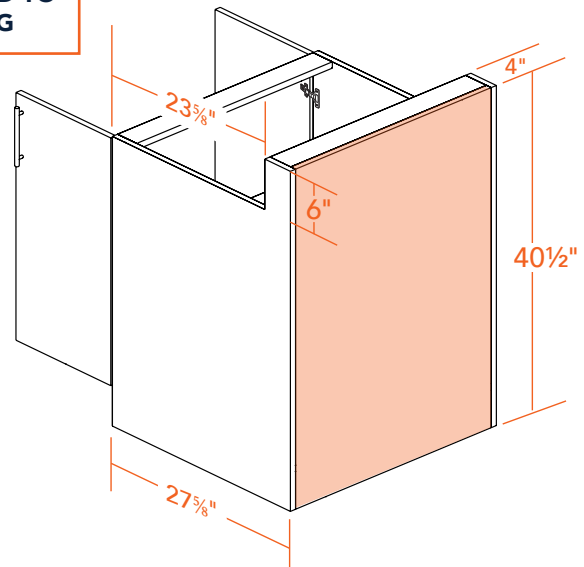
**PLEASE NOTE: FREE STANDING CABINETS MUST BE SECURED TO AVOID TIPPING**

## BAR CABINETS

Bar Cabinets are built with a 4" deep x 6" high build-up to create a standard bar height of 40 1/2". It also features a full-height 3/4" enclosed matching back panel so cabinets can be installed freestanding.

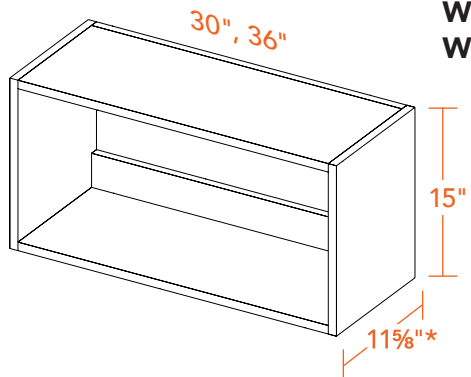
The front of the upper 6" high build up is open. A strip of concrete backer board is recommended as a substrate to bridge the space between the end panels to support back splash materials.

\* Bar Cabinets are 27 5/8" Deep, add 3/4" for door thickness



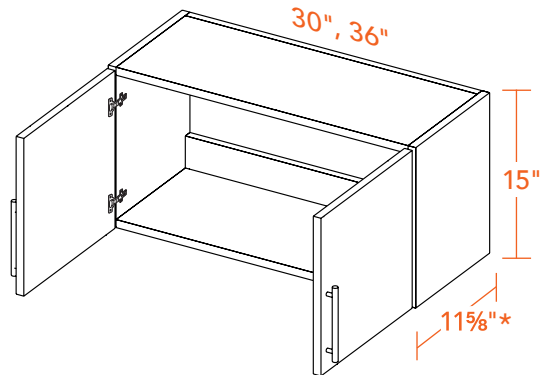
# OPEN BACK WALL CABINETS

15" High Bridge Open Back



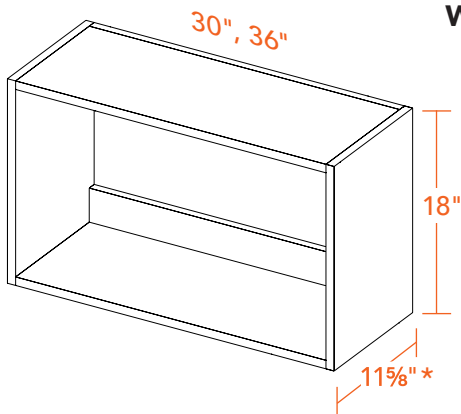
**WSW3015ND**  
**WSW3615ND**

15" High Double Door Bridge Open Back



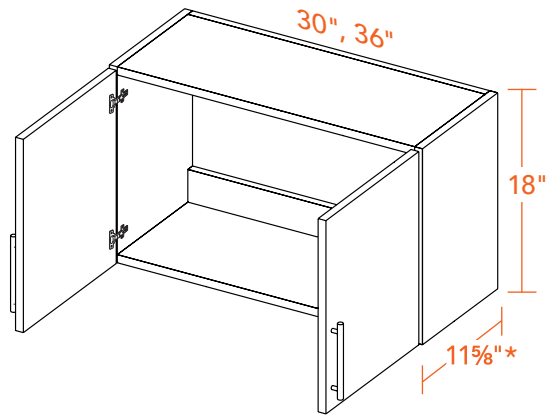
**WSW3015**  
**WSW3615**

18" High Bridge Open Back



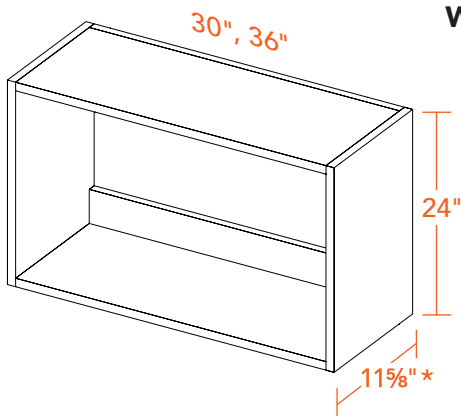
**WSW3018ND**  
**WSW3618ND**

18" High Double Door Bridge Open Back



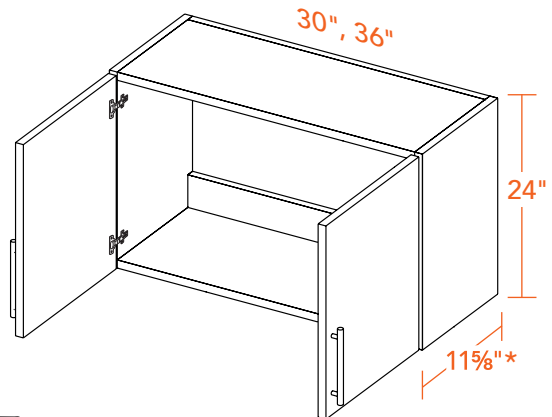
**WSW3018**  
**WSW3618**

24" High Bridge Open Back



**WSW3024ND**  
**WSW3624ND**

24" High Double Door Bridge Open Back

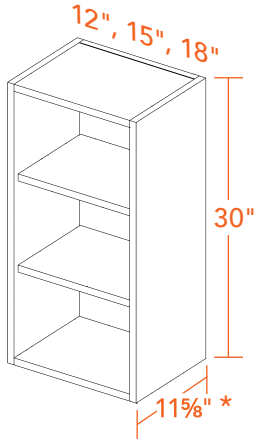


**WSW3024**  
**WSW3624**



# OPEN BACK WALL CABINETS

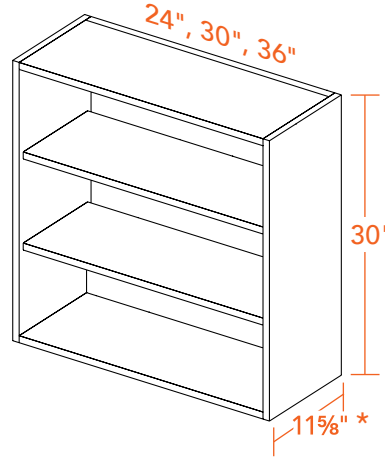
## 30" High Single Wall Open Back



**WSW1230ND**  
**WSW1530ND**  
**WSW1830ND**

- 2 full depth adjustable shelves

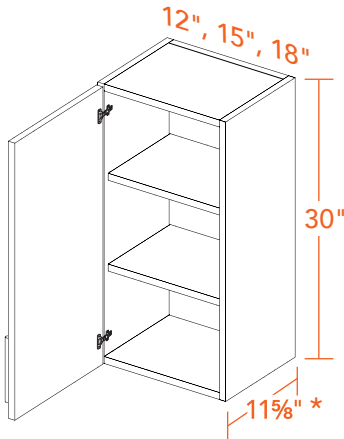
## 30" High Double Wall Open Back



**WSW2430ND**  
**WSW3030ND**  
**WSW3630ND**

- 2 full depth adjustable shelves

## 30" High Single Door Wall Open Back

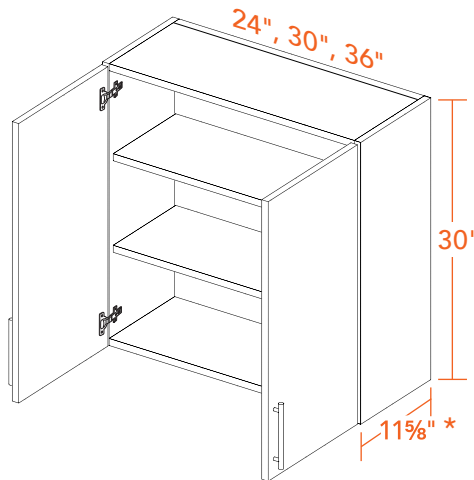


**SPECIFY**  
**RIGHT or LEFT**  
**HINGED**

**WSW1230**  
**WSW1530**  
**WSW1830**

- 2 full depth adjustable shelves

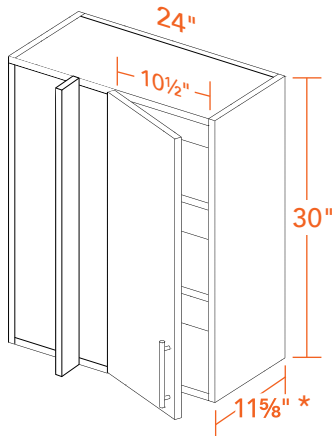
## 30" High Double Door Wall Open Back



**WSW2430**  
**WSW3030**  
**WSW3630**

- 2 full depth adjustable shelves

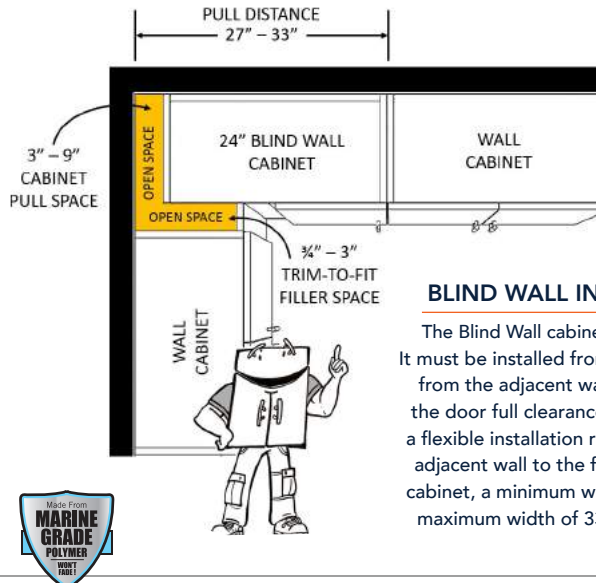
## 30" Blind Wall Open Back



**SPECIFY**  
**RIGHT or LEFT**  
**BLIND**  
**(left shown)**

**WSWBL2730**

- 2 full depth adjustable shelves
- Features 12" wide door



### BLIND WALL INSTALL TIP

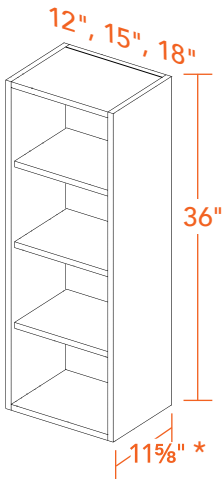
The Blind Wall cabinet is 24" wide. It must be installed from 3" to 9" away from the adjacent wall. This allows the door full clearance and provides a flexible installation range. From the adjacent wall to the far edge of the cabinet, a minimum width of 27" to a maximum width of 33" is required.





# OPEN BACK WALL CABINETS

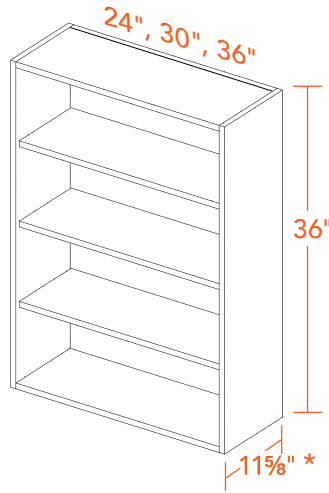
## 36" High Single Wall Open Back



**WSW1236ND**  
**WSW1536ND**  
**WSW1836ND**

- 3 full depth adjustable shelves

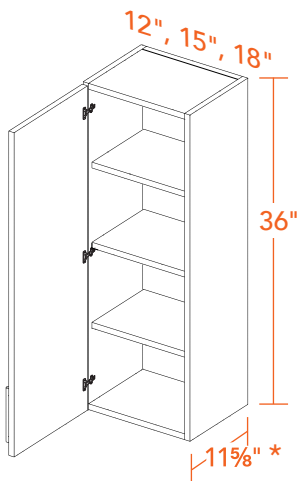
## 36" High Double Wall Open Back



**WSW2436ND**  
**WSW3036ND**  
**WSW3636ND**

- 3 full depth adjustable shelves

## 36" High Single Door Wall Open Back

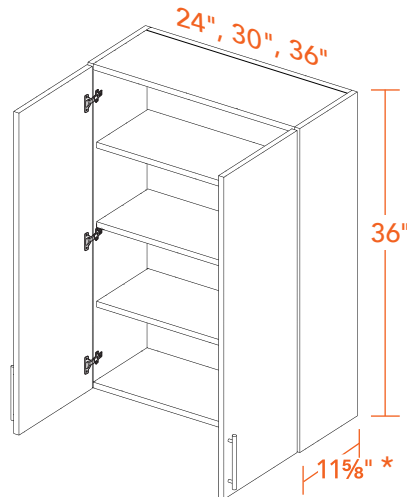


**SPECIFY**  
**RIGHT or LEFT**  
**HINGED**

**WSW1236**  
**WSW1536**  
**WSW1836**

- 3 full depth adjustable shelves

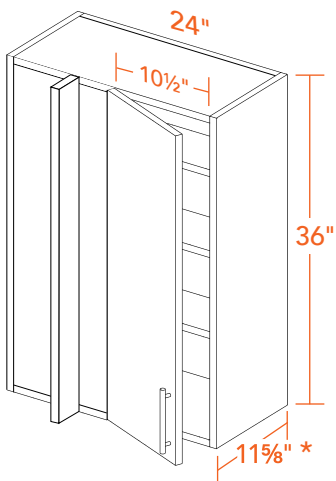
## 36" High Double Door Wall Open Back



**WSW2436**  
**WSW3036**  
**WSW3636**

- 3 full depth adjustable shelves

## 36" Blind Wall Open Back



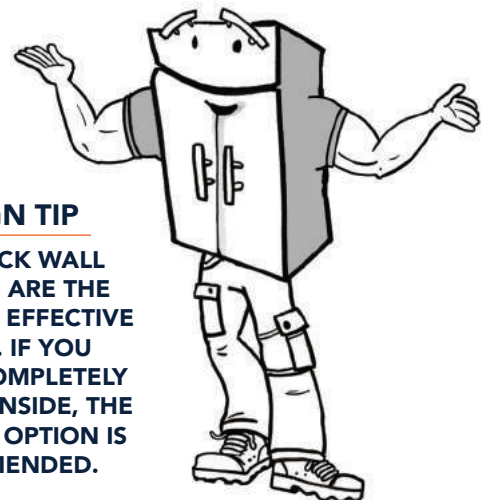
**SPECIFY**  
**RIGHT or LEFT**  
**BLIND**  
**(left shown)**

**WSWBL2736**

- 3 full depth adjustable shelves
- Features 12" wide door

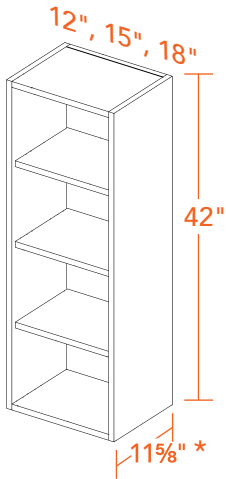
### DESIGN TIP

**OPEN BACK WALL CABINETS ARE THE MOST COST EFFECTIVE OPTION. IF YOU WANT A COMPLETELY SEAMLESS INSIDE, THE FULL BACK OPTION IS RECOMMENDED.**



# OPEN BACK WALL CABINETS

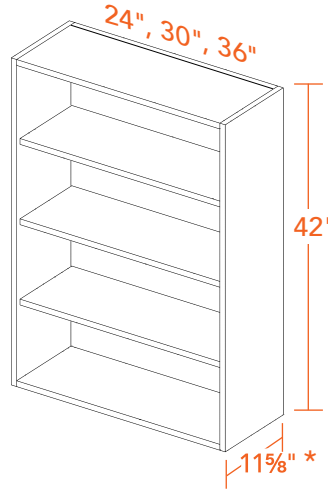
## 42" High Single Wall Open Back



**WSW1242ND**  
**WSW1542ND**  
**WSW1842ND**

- 3 full depth adjustable shelves

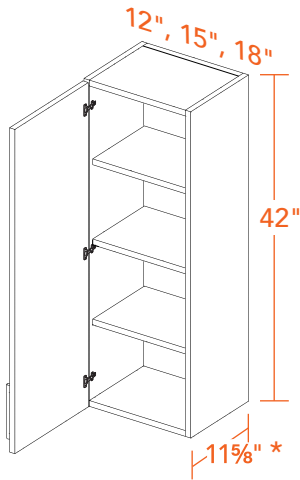
## 42" High Double Wall Open Back



**WSW2442ND**  
**WSW3042ND**  
**WSW3642ND**

- 3 full depth adjustable shelves

## 42" High Single Door Wall Open Back

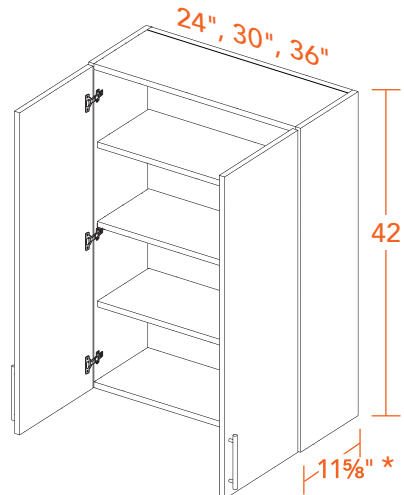


**SPECIFY**  
**RIGHT or LEFT**  
**HINGED**

**WSW1242**  
**WSW1542**  
**WSW1842**

- 3 full depth adjustable shelves

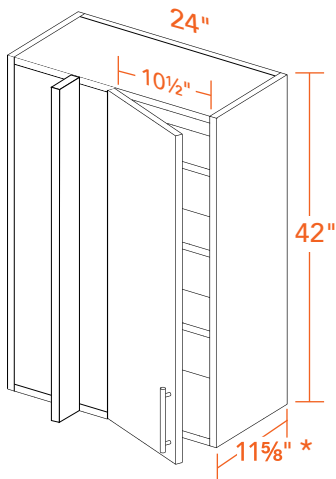
## 42" High Double Door Wall Open Back



**WSW2442**  
**WSW3042**  
**WSW3642**

- 3 full depth adjustable shelves

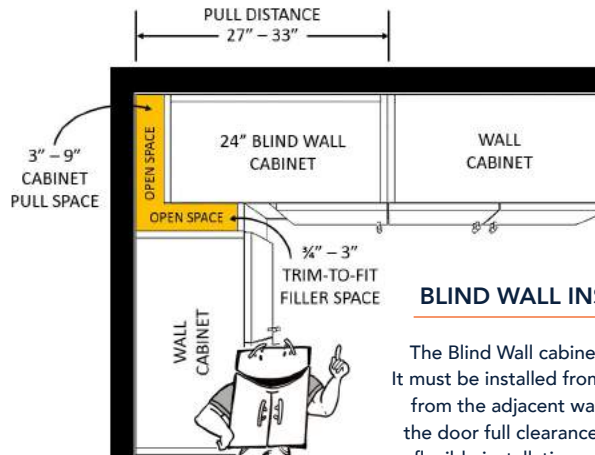
## 42" Blind Wall Open Back



**SPECIFY**  
**RIGHT or LEFT**  
**BLIND**  
**(left shown)**

**WSWBL2742**

- 3 full depth adjustable shelves
- Features 12" wide door



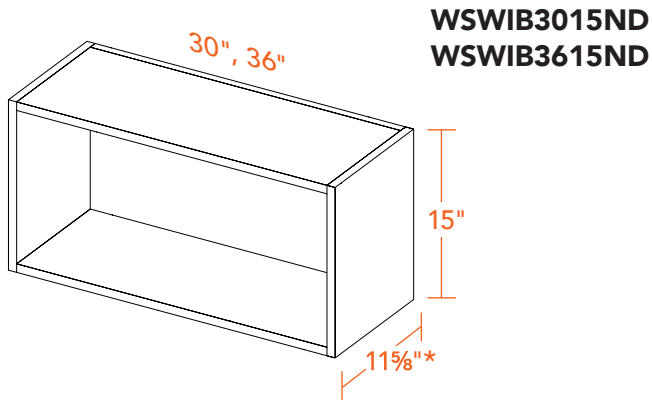
### BLIND WALL INSTALL TIP

The Blind Wall cabinet is 24" wide. It must be installed from 3" to 9" away from the adjacent wall. This allows the door full clearance and provides a flexible installation range. From the adjacent wall to the far edge of the cabinet, a minimum width of 27" to a maximum width of 33" is required.

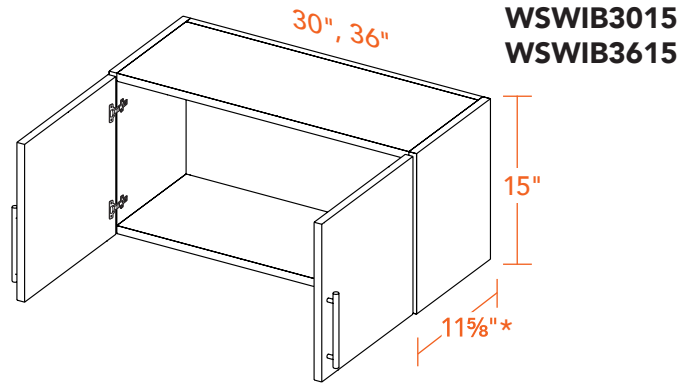


# FULL BACK WALL CABINETS

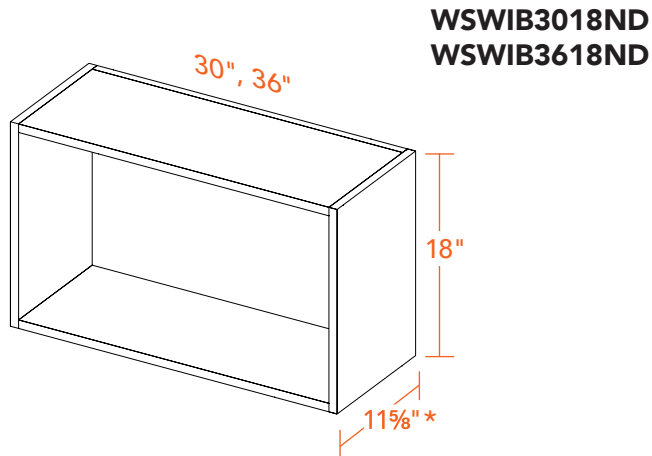
15" High Bridge Full Back



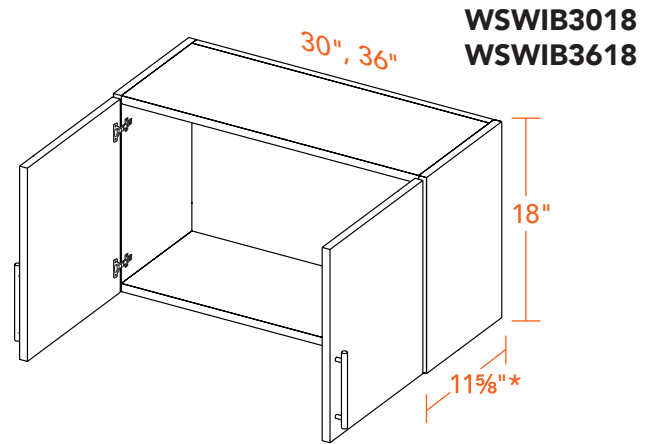
15" High Double Door Bridge Full Back



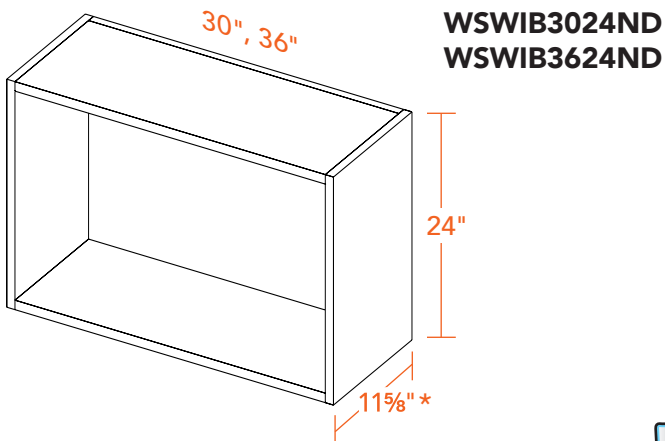
18" High Bridge Full Back



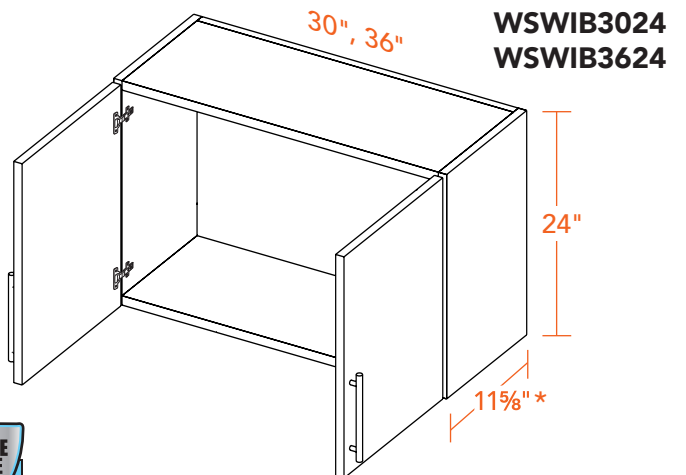
18" High Double Door Bridge Full Back



24" High Bridge Full Back

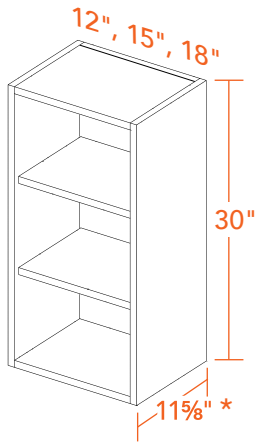


24" High Double Door Bridge Full Back



# FULL BACK WALL CABINETS

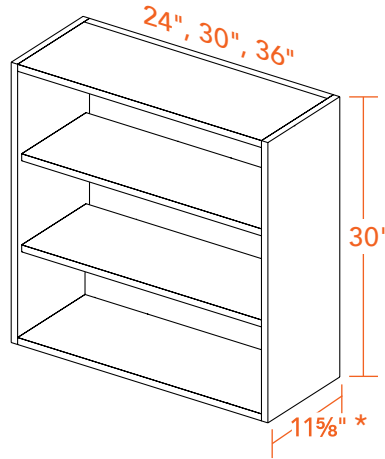
## 30" High Single Wall Full Back



**WSWIB1230ND**  
**WSWIB1530ND**  
**WSWIB1830ND**

- 2 full depth adjustable shelves

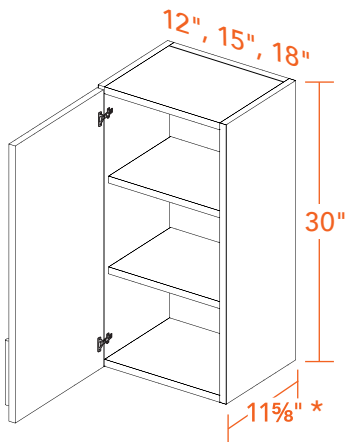
## 30" High Double Wall Full Back



**WSWIB2430ND**  
**WSWIB3030ND**  
**WSWIB3630ND**

- 2 full depth adjustable shelves

## 30" High Single Door Wall Full Back

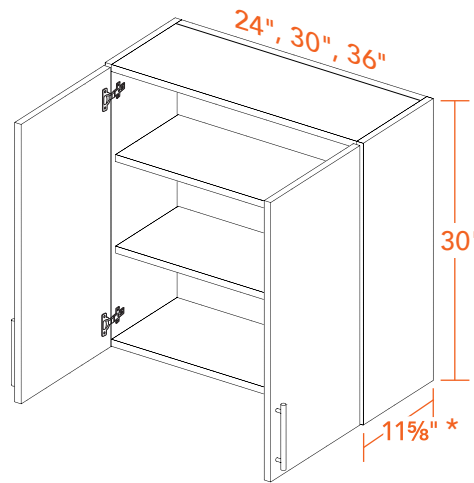


**SPECIFY**  
**RIGHT or LEFT**  
**HINGED**

**WSWIB1230**  
**WSWIB1530**  
**WSWIB1830**

- 2 full depth adjustable shelves

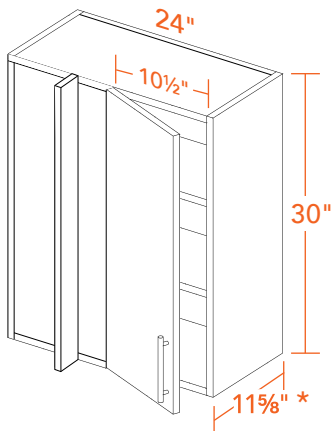
## 30" High Double Door Wall Full Back



**WSWIB2430**  
**WSWIB3030**  
**WSWIB3630**

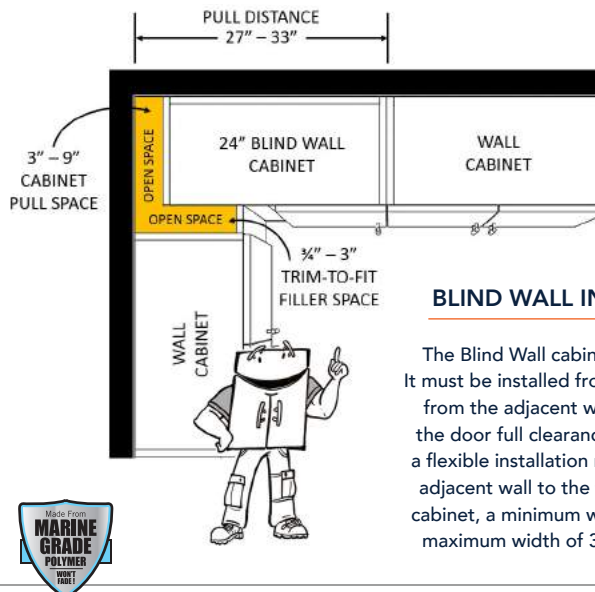
- 2 full depth adjustable shelves

## 30" High Blind Wall Full Back



**SPECIFY**  
**RIGHT or LEFT**  
**BLIND**  
**(left shown)**  
**WSWIBBL2730**

- 2 full depth adjustable shelves
- Features 12" wide door



### BLIND WALL INSTALL TIP

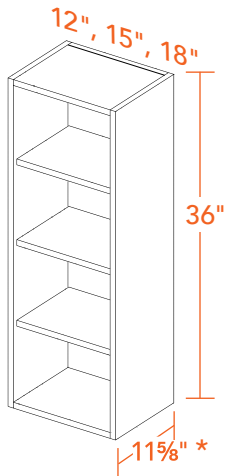
The Blind Wall cabinet is 24" wide. It must be installed from 3" to 9" away from the adjacent wall. This allows the door full clearance and provides a flexible installation range. From the adjacent wall to the far edge of the cabinet, a minimum width of 27" to a maximum width of 33" is required.





# FULL BACK WALL CABINETS

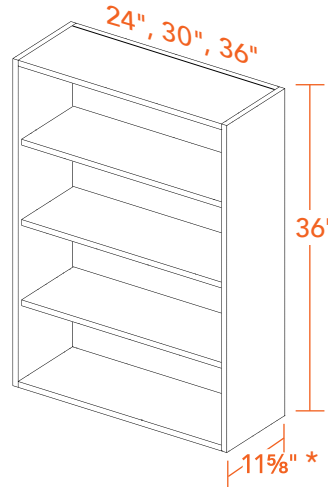
36" High Single Wall Full Back



**WSWIB1236ND**  
**WSWIB1536ND**  
**WSWIB1836ND**

- 3 full depth adjustable shelves

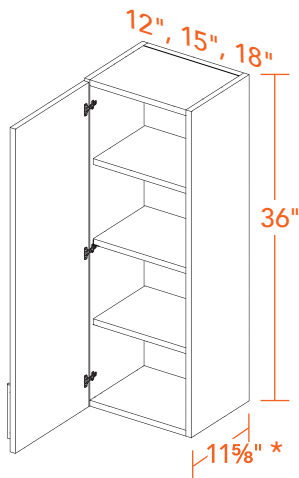
36" High Double Wall Full Back



**WSWIB2436ND**  
**WSWIB3036ND**  
**WSWIB3636ND**

- 3 full depth adjustable shelves

36" High Single Door Wall Full Back

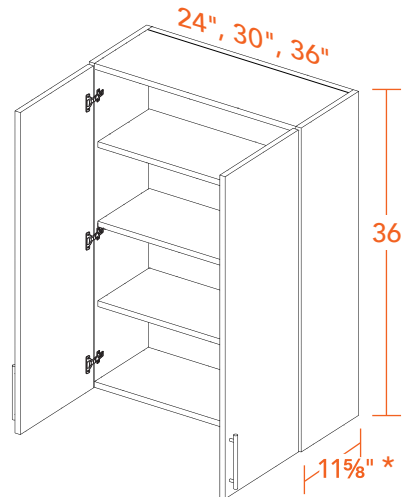


**SPECIFY**  
**RIGHT or LEFT**  
**HINGED**

**WSWIB1236**  
**WSWIB1536**  
**WSWIB1836**

- 3 full depth adjustable shelves

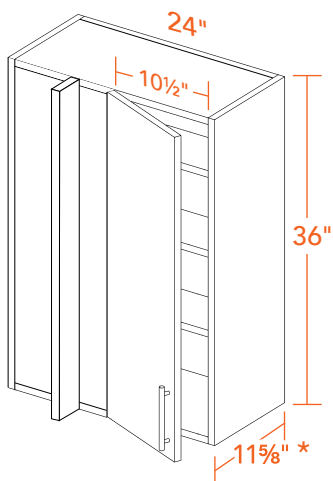
36" High Double Door Wall Full Back



**WSWIB2436**  
**WSWIB3036**  
**WSWIB3636**

- 3 full depth adjustable shelves

36" Blind Wall Full Back

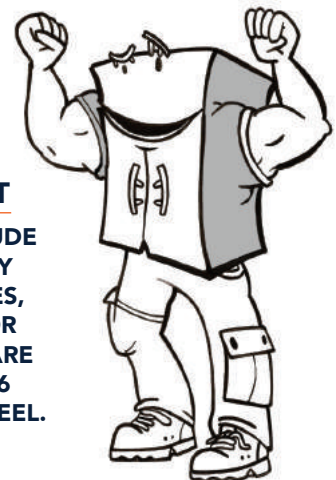


**SPECIFY**  
**RIGHT or LEFT**  
**BLIND**  
**(left shown)**

**WSWIBBL2736**

- 3 full depth adjustable shelves
- Features 12" wide door

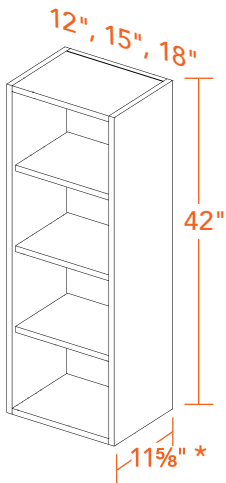
**CABINET WIDTH IS 24" BUT REQUIRES A MINIMUM OF 27" WALL SPACE. SEE PAGE 12 FOR BLIND WALL INSTALL TIP.**



**QUALITY POINT**  
**ALL CABINETS INCLUDE CONCEALED 6-WAY ADJUSTABLE HINGES, FOR PERFECT DOOR ALIGNMENT. THEY ARE FORGED FROM 316 GRADE STAINLESS STEEL. TOP-RATED FOR OUTDOOR USE.**

# FULL BACK WALL CABINETS

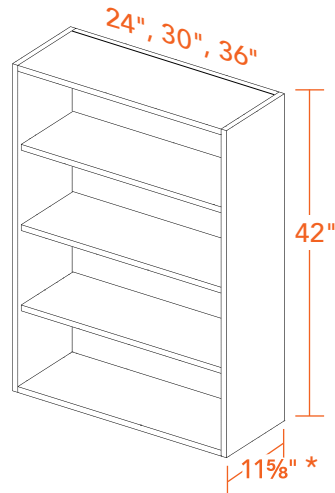
## 42" High Single Wall Full Back



**WSWIB1242ND**  
**WSWIB1542ND**  
**WSWIB1842ND**

- 3 full depth adjustable shelves

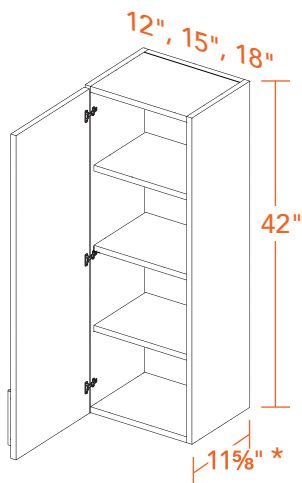
## 42" High Double Wall Full Back



**WSWIB2442ND**  
**WSWIB3042ND**  
**WSWIB3642ND**

- 3 full depth adjustable shelves

## 42" High Single Door Wall Full Back

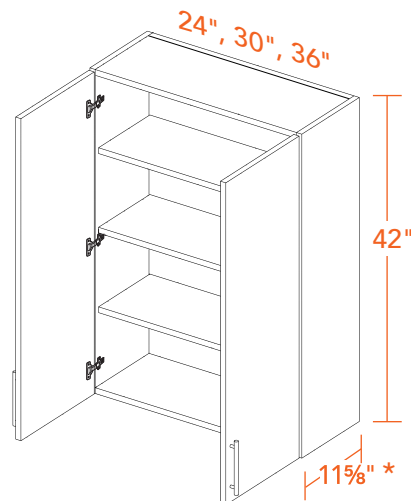


**SPECIFY**  
**RIGHT or LEFT**  
**HINGED**

**WSWIB1242**  
**WSWIB1542**  
**WSWIB1842**

- 3 full depth adjustable shelves

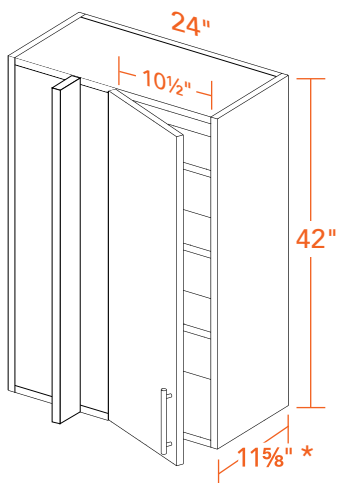
## 42" High Double Door Wall Full Back



**WSWIB2442**  
**WSWIB3042**  
**WSWIB3642**

- 3 full depth adjustable shelves

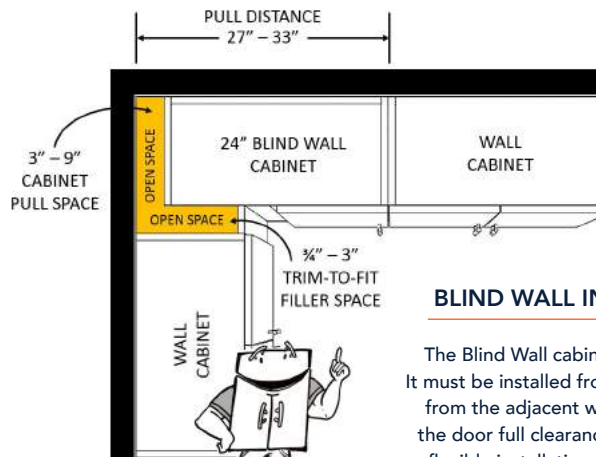
## 42" Blind Wall Full Back



**SPECIFY**  
**RIGHT or LEFT**  
**BLIND**  
**(left shown)**

**WSWIBBL2742**

- 3 full depth adjustable shelves
- Features 12" wide door



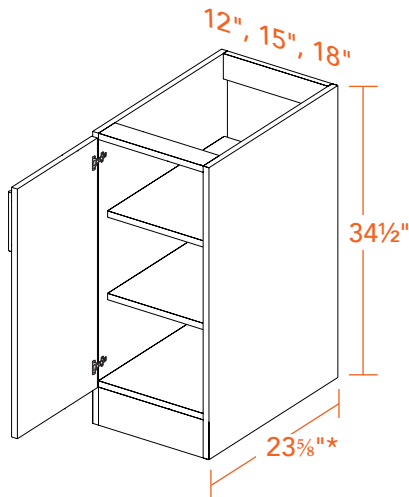
### BLIND WALL INSTALL TIP

The Blind Wall cabinet is 24" wide. It must be installed from 3" to 9" away from the adjacent wall. This allows the door full clearance and provides a flexible installation range. From the adjacent wall to the far edge of the cabinet, a minimum width of 27" to a maximum width of 33" is required.



# OPEN BACK BASE CABINETS

## Open Back Single Full Height Door Base

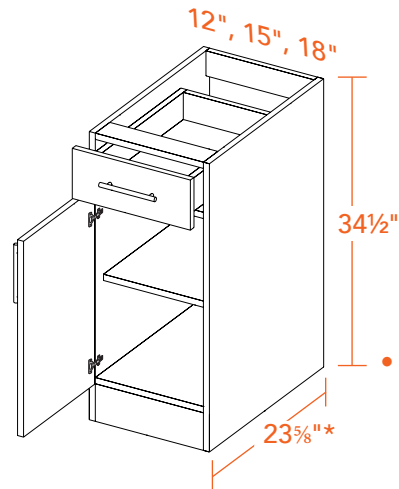


**SPECIFY  
RIGHT or LEFT  
HINGED**

**WSOB12FH  
WSOB15FH  
WSOB18FH**

- Two full-depth adjustable shelves

## Open Back Single Door/Drawer Base

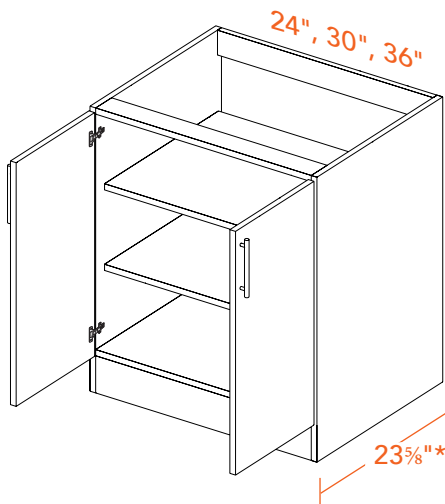


**SPECIFY  
RIGHT or LEFT  
HINGED**

**WSOB12  
WSOB15  
WSOB18**

- Single full depth adjustable shelf

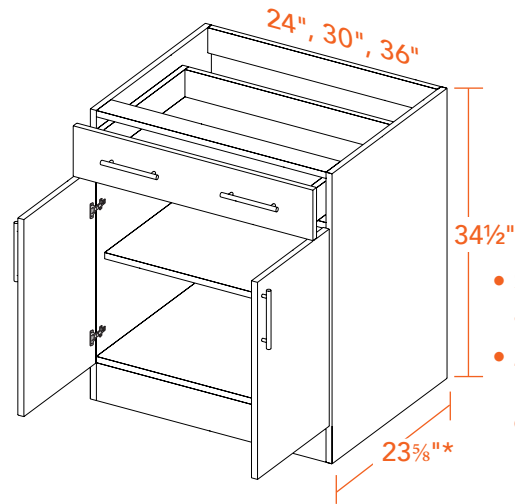
## Open Back Full Height Double Door Base



**WSOB24FH  
WSOB30FH  
WSOB36FH**

- Two full-depth adjustable shelves

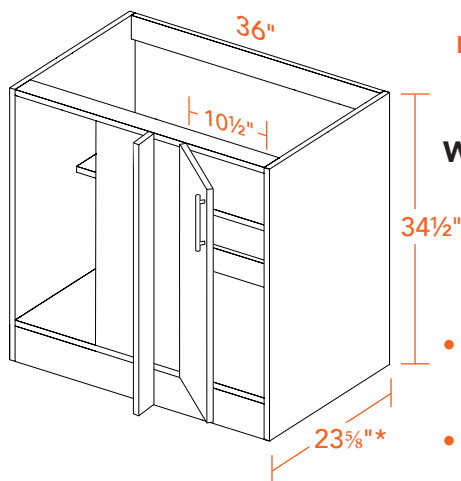
## Open Back Double Door & Drawer Base



**WSOB24  
WSOB30  
WSOB36**

- Single full depth adjustable shelf
- 24\" cabinet includes a single drawer pull

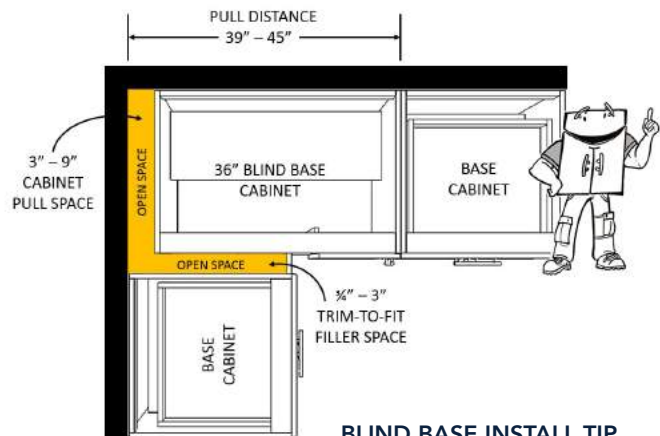
## Open Back Blind Base



**SPECIFY  
RIGHT or LEFT  
BLIND  
(left shown)**

**WSOBBL39FH**

- Single half-depth adjustable shelf
- Features 12\" wide door



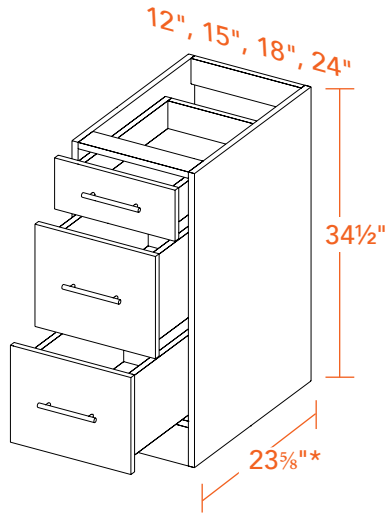
### BLIND BASE INSTALL TIP

The Blind Base cabinet is 36\" wide. It must be installed from 3\" to 9\" away from the adjacent wall. This allows the door full clearance and provides a flexible installation range. From the adjacent wall to the far edge of the cabinet, a minimum width of 39\" to a maximum width of 45\" is required.



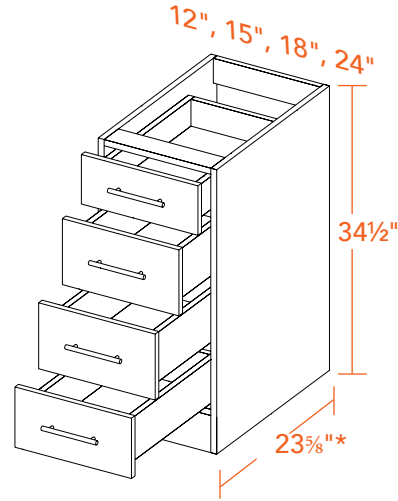
# OPEN BACK BASE CABINETS

Open Back 3 Drawer Base



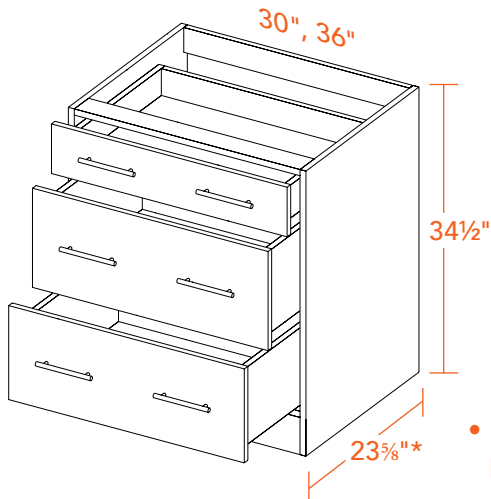
**WSOB3D12**  
**WSOB3D15**  
**WSOB3D18**  
**WSOB3D24**

Open Back 4 Drawer Base



**WSOB4D12**  
**WSOB4D15**  
**WSOB4D18**  
**WSOB4D24**

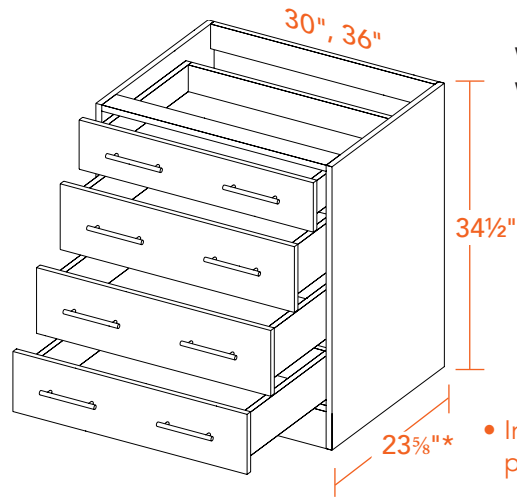
Open Back Wide 3 Drawer Base



**WSOB3D30**  
**WSOB3D36**

• Includes 2 pulls per drawer

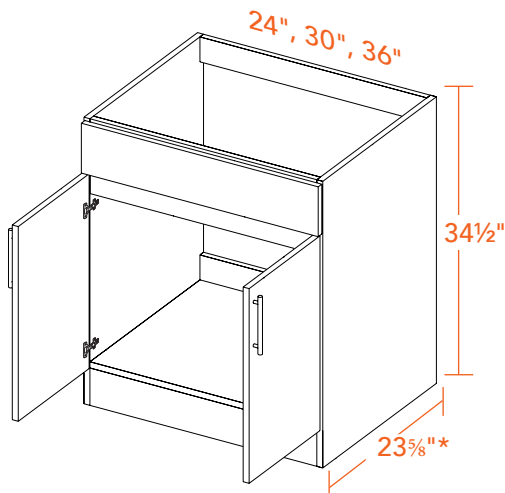
Open Back Wide 4 Drawer Base



**WSOB4D30**  
**WSOB4D36**

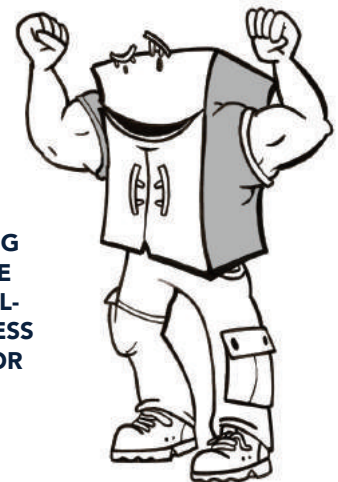
• Includes 2 pulls per drawer

Open Back Double Door Sink Base



**WSOSB24**  
**WSOSB30**  
**WSOSB36**

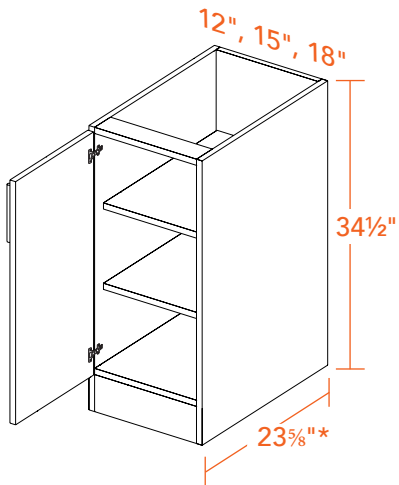
**QUALITY POINT**  
 ALL WEATHERSTRONG  
 DRAWER GLIDES ARE  
 SIDE-MOUNTED, BALL-  
 BEARING, 316 STAINLESS  
 STEEL. TOP-RATED FOR  
 OUTDOOR USE.





# ISLAND BACK BASE CABINETS

## Island Back Full Height Single Door Base

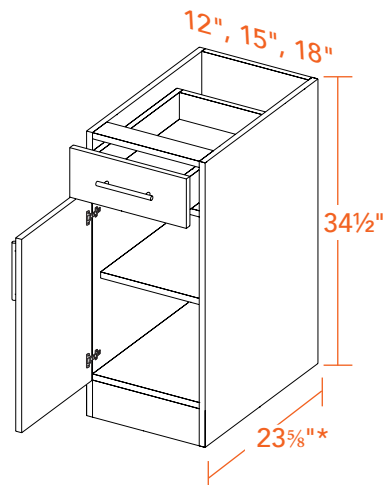


**SPECIFY  
RIGHT or LEFT  
HINGED**

**WSIB12FH  
WSIB15FH  
WSIB18FH**

- Two full depth adjustable shelves

## Island Back Single Door Base

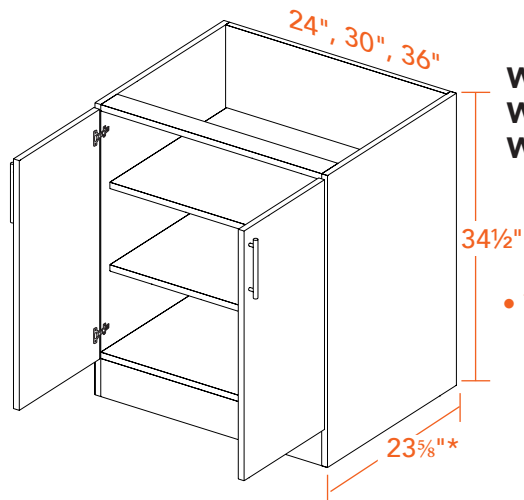


**SPECIFY  
RIGHT or LEFT  
HINGED**

**WSIB12  
WSIB15  
WSIB18**

- Single full depth adjustable shelf

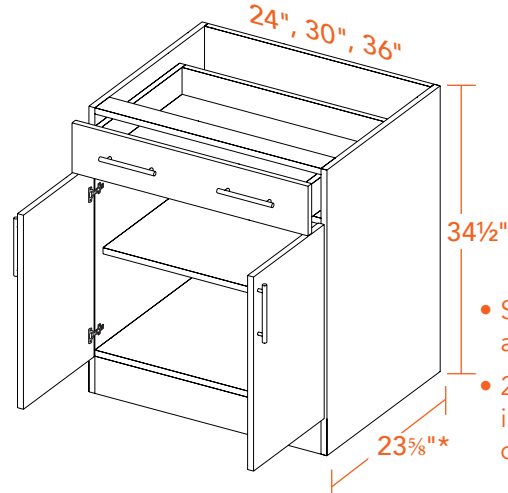
## Island Back Full Height Double Door Base



**WSIB24FH  
WSIB30FH  
WSIB36FH**

- Two full depth adjustable shelves

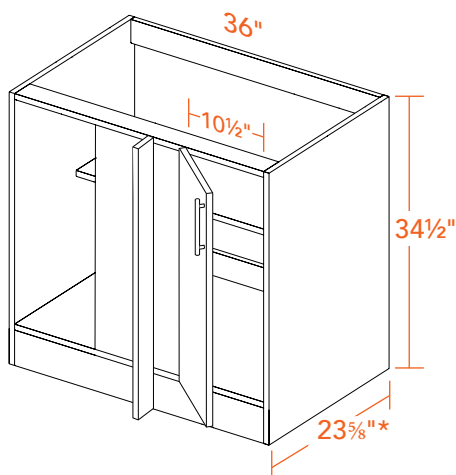
## Island Back Double Door & Drawer Base



**WSIB24  
WSIB30  
WSIB36**

- Single full depth adjustable shelf
- 24" cabinet includes a single drawer pull

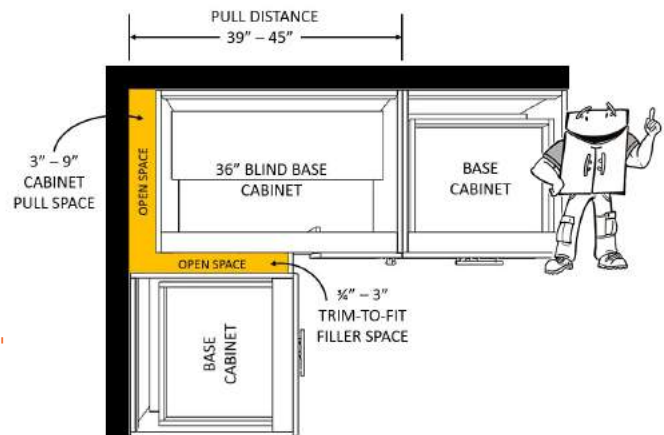
## Island Back Blind Base



**SPECIFY  
RIGHT or LEFT  
BLIND  
(left shown)**

**WSIBBL39FH**

- Single half-depth adjustable shelf
- Includes 9" x 34.5" back panel filler to accommodate the pull distance in peninsula installations
- Features 12" wide door



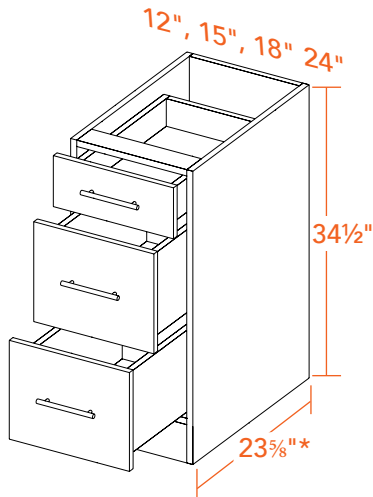
### BLIND BASE INSTALL TIP

The Blind Base cabinet is 36" wide. It must be installed from 3" to 9" away from the adjacent wall. This allows the door full clearance and provides a flexible installation range. From the adjacent wall to the far edge of the cabinet, a minimum width of 39" to a maximum width of 45" is required.



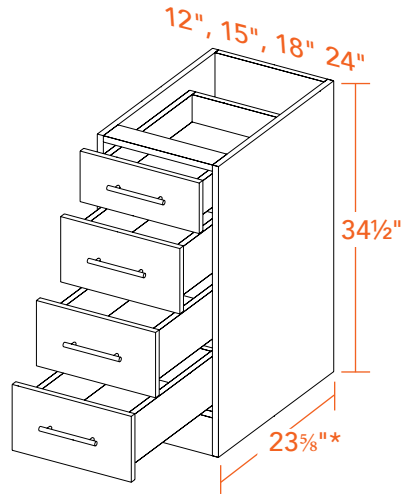
# ISLAND BACK BASE CABINETS

Island Back 3 Drawer Base



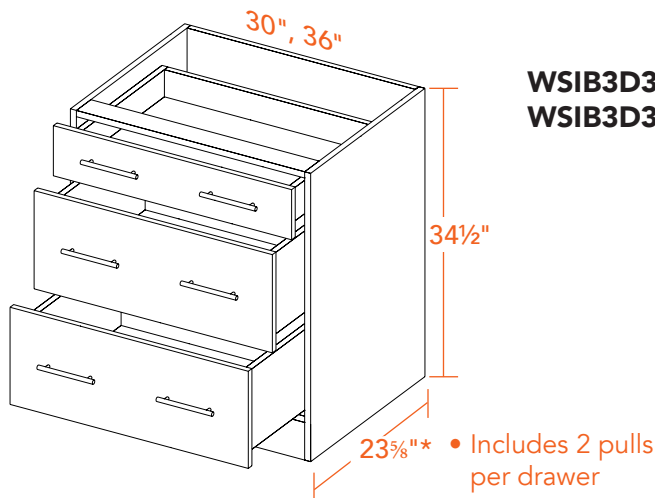
WSIB3D12  
WSIB3D15  
WSIB3D18  
WSIB3D24

Island Back 4 Drawer Base



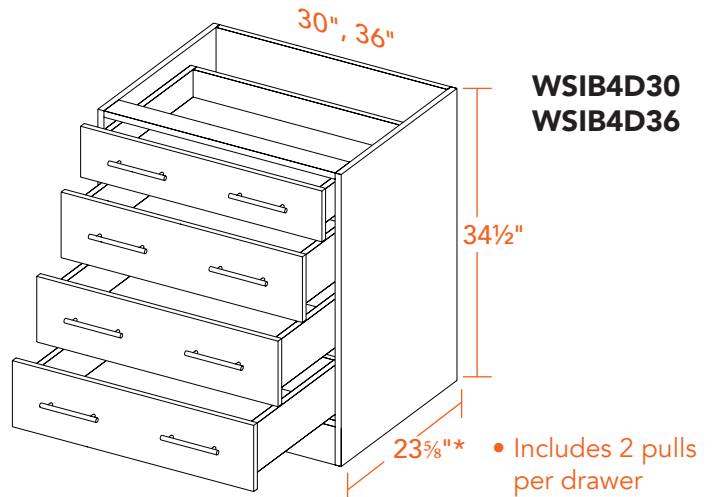
WSIB4D12  
WSIB4D15  
WSIB4D18  
WSIB4D24

Island Back Wide 3 Drawer Base



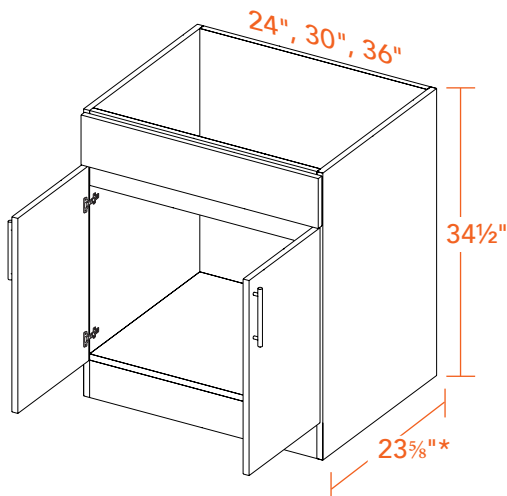
WSIB3D30  
WSIB3D36

Island Back Wide 4 Drawer Base

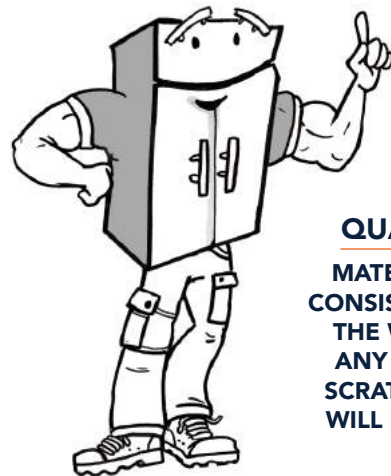


WSIB4D30  
WSIB4D36

Island Sink Base



WSISB24  
WSISB30  
WSISB36

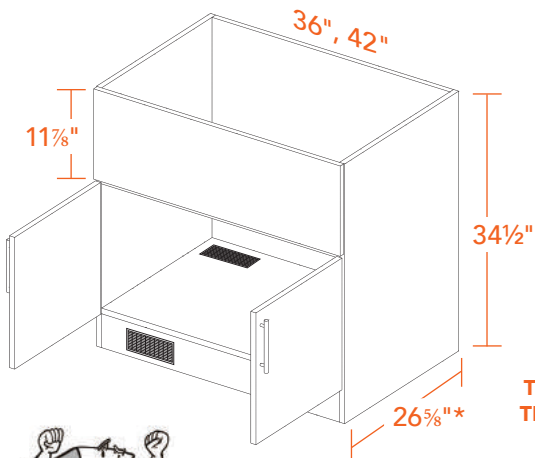


**QUALITY POINT**  
MATERIAL FEATURES  
CONSISTENT COLOR ALL  
THE WAY THROUGH.  
ANY UNFORTUNATE  
SCRATCHES OR NICKS  
WILL BE LESS VISIBLE.



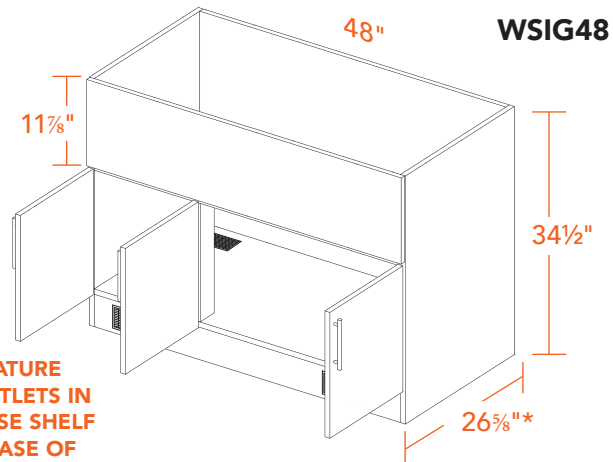
# ISLAND BACK GRILL CABINETS

Island Back Grill Double Door Base



**WSIG36**  
**WSIG42**

Island Back Grill Three Door Base



**WSIG48**

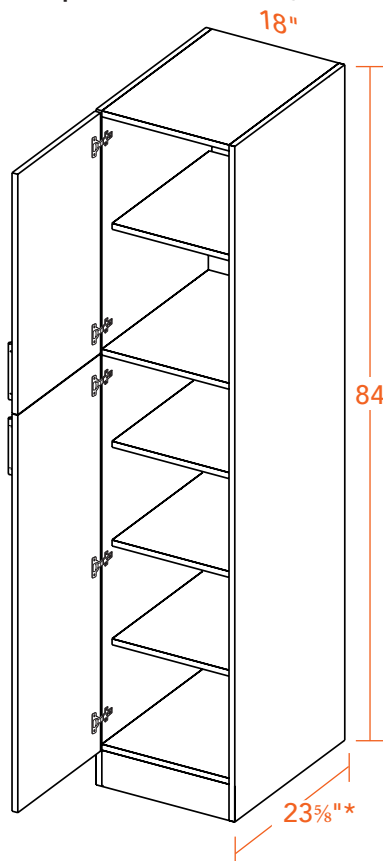
**GRILL CABINETS FEATURE TWO VENTILATION OUTLETS IN THE TOE KICK AND BASE SHELF ALLOWING THE RELEASE OF POSSIBLE HEAT BUILD UP**



**GRILL CABINETS ARE MANUFACTURED WITH A FULL UPPER FACE PLATE THAT WILL NEED TO BE MODIFIED IN FIELD TO ACCEPT THE RESPECTIVE HEAT LINER USED WITH THE GAS GRILL. UNDER NO CIRCUMSTANCE SHOULD A GRILL BE INSTALLED WITHOUT THE APPROPRIATE HEAT LINER SPECIFIED BY THE GRILL MANUFACTURER.**

# OPEN BACK UTILITY CABINETS

Open Back Utility Cabinet



**SPECIFY RIGHT or LEFT HINGED (left shown)**  
**WSOU1884**

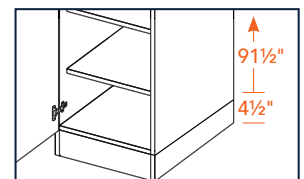
- 4 full depth adjustable shelves
- (3) 10" mounting rails - top, middle, bottom

Open Back Utility Cabinet



**SPECIFY RIGHT or LEFT HINGED (left shown)**  
**WSOU1890**  
**WSOU1896**

- 5 full depth adjustable shelves
- (3) 10" mounting rails - top, middle, bottom

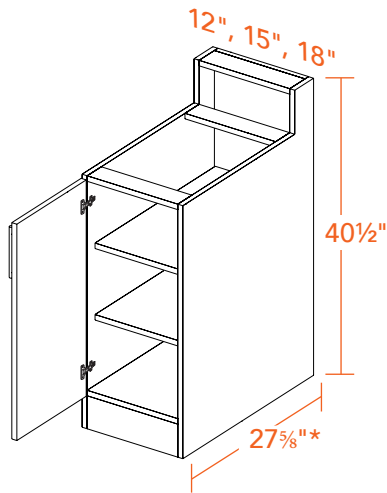


**PLEASE NOTE**  
**96" HIGH UTILITY CABINET IS A 91.5" HIGH CABINET INSTALLED ON A 4.5" HIGH PEDESTAL BASE**



# BAR BACK BASE CABINETS

Bar Back Full Height Door Base

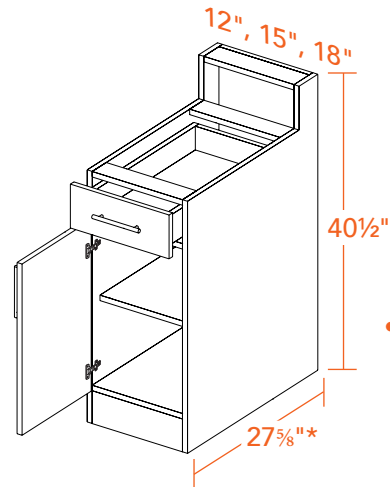


**SPECIFY  
RIGHT or LEFT  
HINGED**

**WSBB12FH  
WSBB15FH  
WSBB18FH**

- Single full depth adjustable shelf

Bar Back Single Door/Drawer Base

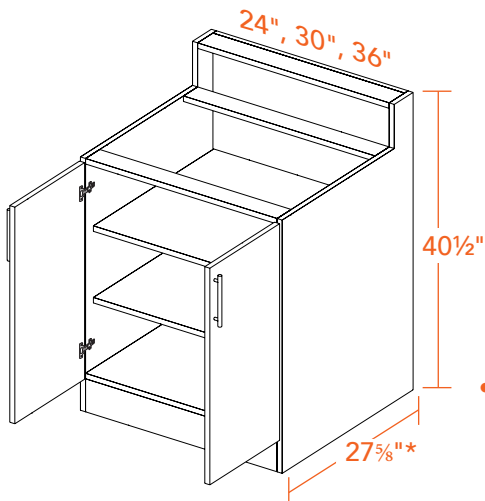


**SPECIFY  
RIGHT or LEFT  
HINGED**

**WSBB12  
WSBB15  
WSBB18**

- Single full depth adjustable shelf

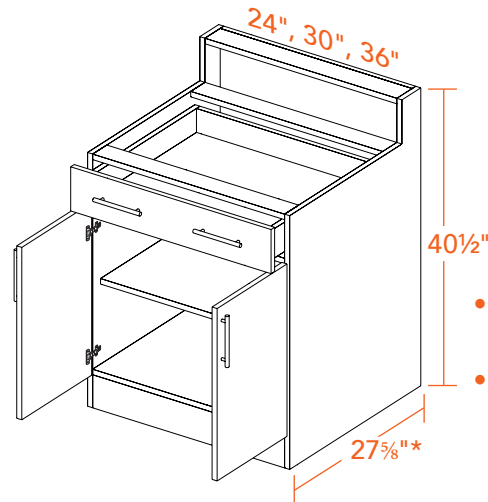
Bar Back Full Height Door Base



**WSBB24FH  
WSBB30FH  
WSBB36FH**

- Single full depth adjustable shelf

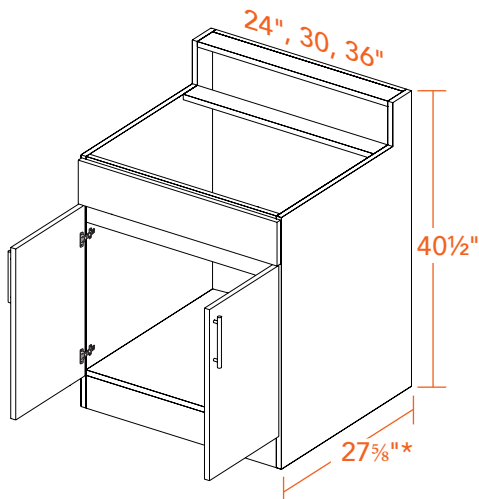
Bar Back Double Door & Drawer Base



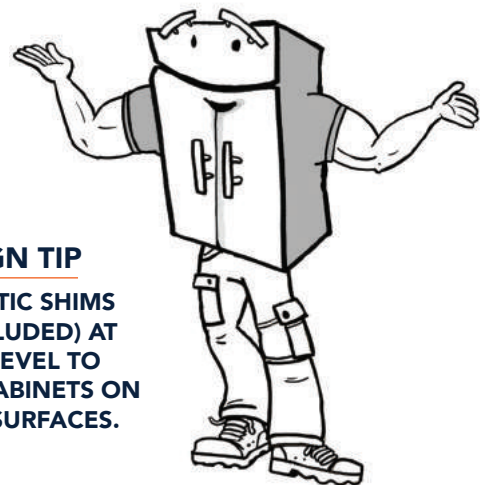
**WSBB24  
WSBB30  
WSBB36**

- Single full depth adjustable shelf
- 24" cabinet includes a single drawer pull

Bar Back Sink Base



**WSBBSB24  
WSBBSB30  
WSBBSB36**



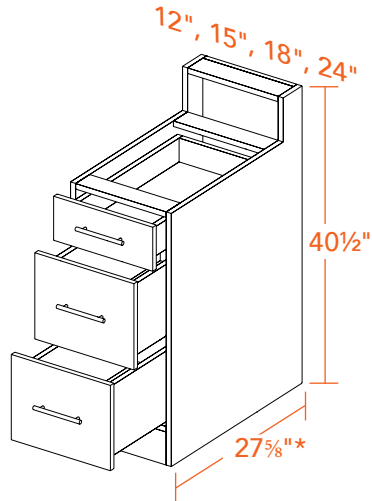
**DESIGN TIP**  
USE PLASTIC SHIMS  
(NOT INCLUDED) AT  
FLOOR LEVEL TO  
SUPPORT CABINETS ON  
UNEVEN SURFACES.





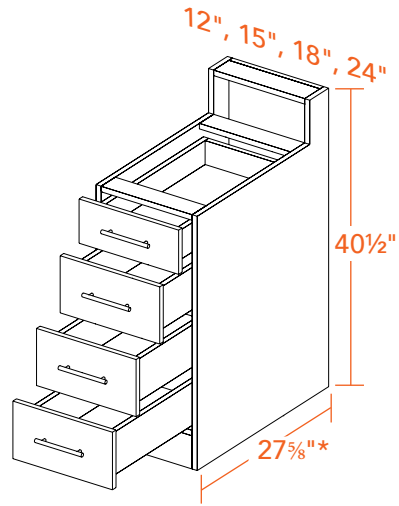
# BAR BACK BASE CABINETS

Bar Back 3-Drawer Base



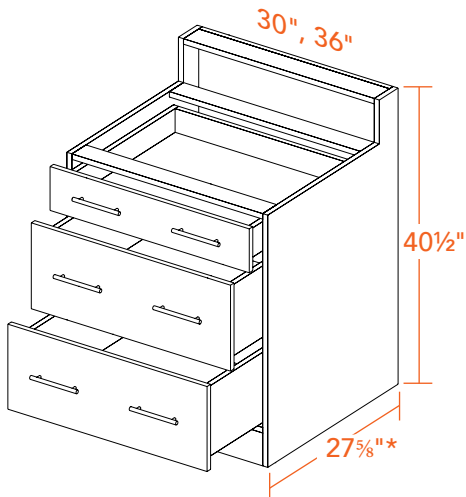
WSBB3D12  
WSBB3D15  
WSBB3D18  
WSBB3D24

Bar Back 4-Drawer Base



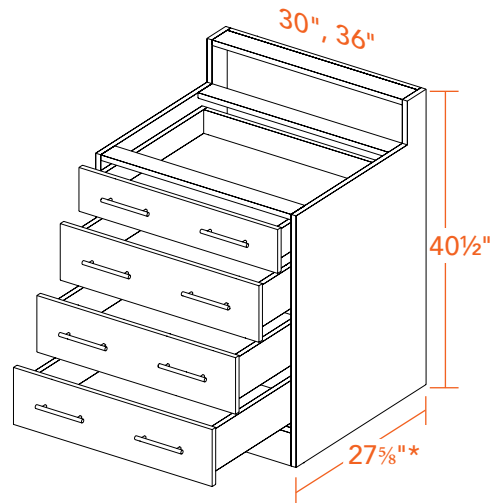
WSBB4D12  
WSBB4D15  
WSBB4D18  
WSBB4D24

Bar Back Wide 3-Drawer Base



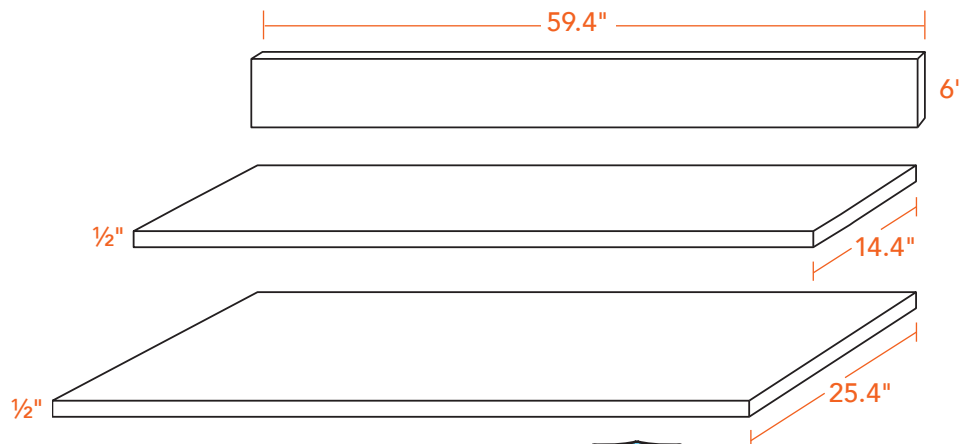
WSBB3D30  
WSBB3D36

Bar Back Wide 4-Drawer Base

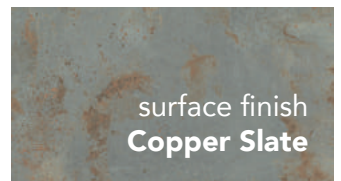


WSBB4D30  
WSBB4D36

## All-Weather Compact Laminate Top & Backsplash

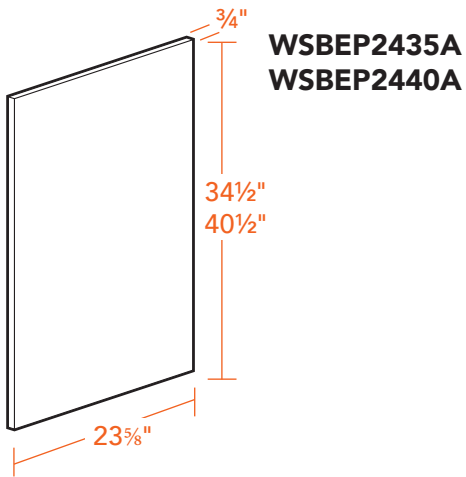


WSBS596A-CS  
WSTOP5914A-CS  
WSTOP5925A-CS

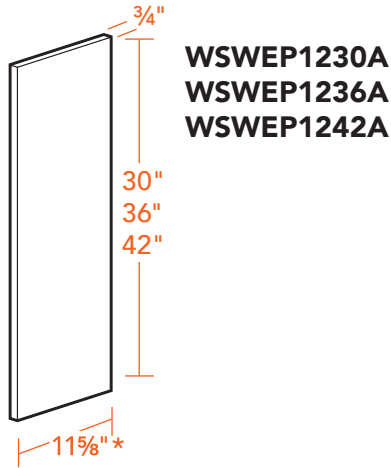


# ACCESSORIES

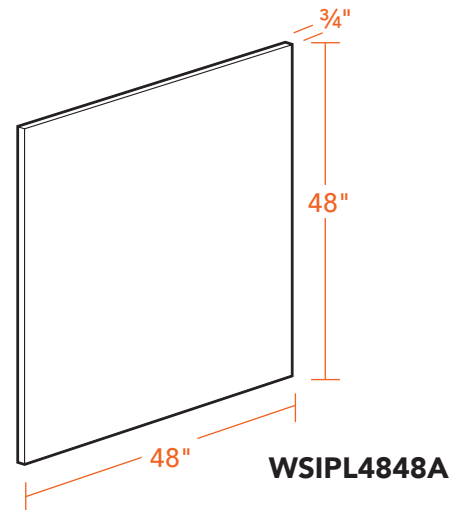
## Base End Panel



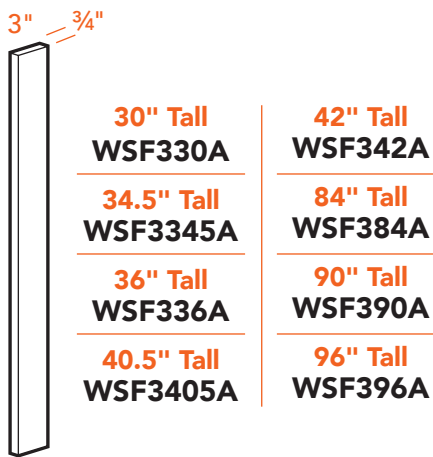
## Wall End Panel



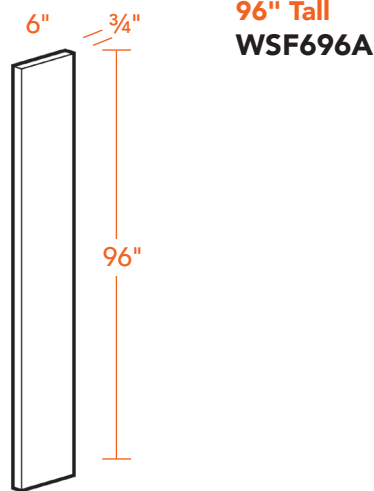
## Island End Panel



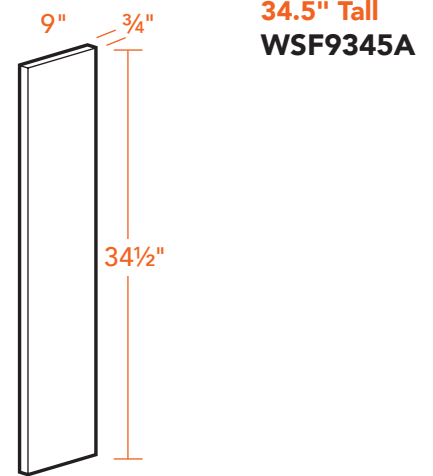
## 3" Fillers



## 6" Tall Filler

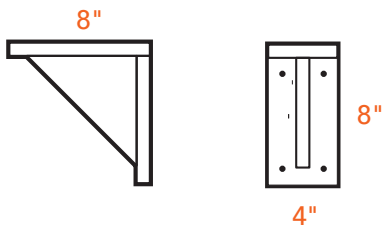


## 9" Filler



## Corbel

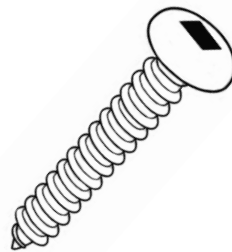
**WSCBL8**



**SIDE VIEW**

**FRONT VIEW**

## 1.25" Stainless Steel Screw



**30 Pack**  
**WSSS1.25-SCREW KIT**

Square Head Drill Bit included.

Used to attach cabinets together and install Corbels.

CABINET TYPE	QTY.	LOCATION
Bases	2	Front Edge
Island Base	4	Front & Back Edges
Bar Base	4	Front & Back Edges
Walls up to 30" H	2	Front Edge
Walls 36 & 42" H	3	Front Edge





# Outdoor Cabinetry

## 5 Year Limited Warranty

Ideal Cabinetry® (warrantor) warrants to the original consumer purchaser, that the WeatherStrong® branded outdoor cabinets will be free from defects in material and workmanship under normal residential use. This warranty is for a period of five years as long as you own the cabinetry and is not transferable to subsequent owners and is expressly limited to the cabinet carcass, doors, drawers, and shelves. Items not listed in this warranty are not covered by this warranty. No other warranty express or implied, is applicable to this product. Separate components not produced by Ideal Cabinetry such as countertops, grills, appliances, stainless steel handles, hinges and drawer glides are not covered by this warranty.

This warranty does not cover damage resulting from normal wear, excessive heat, surface temp >140°, natural aging, accident, misuse, or lack of reasonable and necessary maintenance and service; nor does it warranty the improper installation or unauthorized repair, alteration, or modification or defects in the product when the product is installed. This warranty is limited to the repair or replacement of the defective part at the sole discretion of warrantor.

It is our option to provide repair parts or replace with functionally equivalent product. Return of product may be required for replacements. Such repair parts or replacement shall be at warrantor's expense, but customer shall bear all other expenses, including, but not limited to, cost of removal, transportation, re-installation, communication and any special service required by customer such as, overtime labor, etc. Ideal Cabinetry shall not be liable for the loss of use of the product, inconvenience, loss or any other damages, direct or consequential, arising out of the use of or inability to use the product. Due to the nature of the product, replacement product may vary in color from original purchased product.

In the event of a WeatherStrong brand warranted product performance issue, submit request including proof of purchase documentation, specific description of warranty issue (include photos where possible) in writing to:

Warranty Department  
210 Century Boulevard  
Bartow, FL 33830

EXCEPT TO THE EXTENT PROVIDED BY APPLICABLE LAW, ALL IMPLIED WARRANTIES, INCLUDING WARRANTIES OF MERCHANTABILITY AND FITNESS FOR A PARTICULAR PURPOSE, ARE LIMITED IN DURATION TO THE SHORTER OF THE PERIOD PROVIDED BY LAW OR THE PERIOD OF THIS WARRANTY, AND UNDER NO CIRCUMSTANCE SHALL IDEAL CABINETRY BE LIABLE FOR INCIDENTAL OR CONSEQUENTIAL DAMAGES SUSTAINED IN CONNECTION WITH THE PRODUCT. THE EXPRESS WARRANTY ABOVE CONSTITUTES THE ENTIRE WARRANTY AND IS IN LIEU OF ALL OTHERS EXPRESSED OR IMPLIED.

Some states do not allow the exclusion or limitation of incidental or consequential damages, or limitation on how long an implied warranty lasts, therefore, the above limitations or exclusions may not apply to you. This warranty gives you specific legal rights, and you may also have other rights, which vary from state to state.

### INDEMNITY

Ideal Cabinetry shall not be liable for either its failure to perform or its delays in performance hereunder arising out of or resulting from causes beyond its control, including but not limited to, acts of God, acts of Representation, acts of Government, wars, fires, epidemics, quarantine, strike, freight embargoes, or default by suppliers due to any such causes.





**weatherstrong**

[weatherstrong.com](http://weatherstrong.com)  
Outdoor Cabinetry

