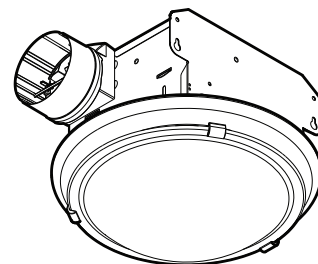


MODEL 770RNLTK DECORATIVE FAN / LIGHT



DESCRIPTION

LIGHT FIXTURE:

- White finish with alabaster glass dome
- Consumer-validated design
- Includes two easy-to-change trim kits - Brushed Bronze and Brushed Nickel
- Close mount design
- Uses one 60 Watt maximum, A19 type, E26 bulb or energy-efficient equivalent. Bulb not included.
- Adapter bracket for constant airflow completely covers drywall cuts
- Light fixture assembly is plug-in and removable

BLOWER:

- Plug-in permanently lubricated motor
- Polymeric blower wheel

HOUSING:

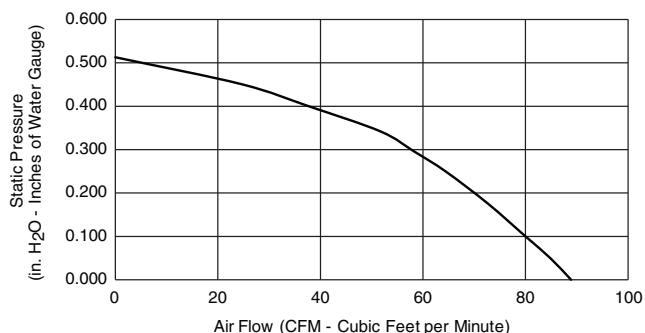
- Rugged, 26-gage galvanized steel construction
- 5-3/4" height allows for 2" x 6" ceiling installations
- Sturdy key-holed mounting brackets for quick, accurate installation
- Tapered, polymeric duct fitting with built-in backdraft damper for easy, positive duct connection and no metallic clatter

NOTE: For installation in flat ceilings only.

DO NOT install in a bathtub or shower enclosure.

cULus Listed for use in insulated ceilings (Type I.C.)

Use supply wiring rated for at least 90° C

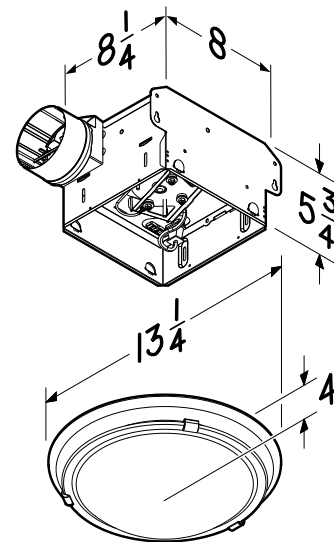


SPECIFICATIONS

Volts	Amps	Static Pressure	CFM	Sones	Fan Watts	Duct
120	1.5	0.1	80	2.5	55.4	4" Round
		0.25	64			



HVI-2100 CERTIFIED RATINGS comply with new testing technologies and procedures prescribed by the Home Ventilating Institute, for off-the-shelf products, as they are available to consumers. Product performance is rated at 0.1 in. static pressure, based on tests conducted in a state-of-the-art test laboratory. Sones are a measure of humanly-perceived loudness, based on laboratory measurements.



Broan Hartford, Wisconsin www.nutone.com 888-336-3948

REFERENCE	QTY.	REMARKS	Project
			Location
			Architect
			Engineer
			Contractor
			Submitted by Date