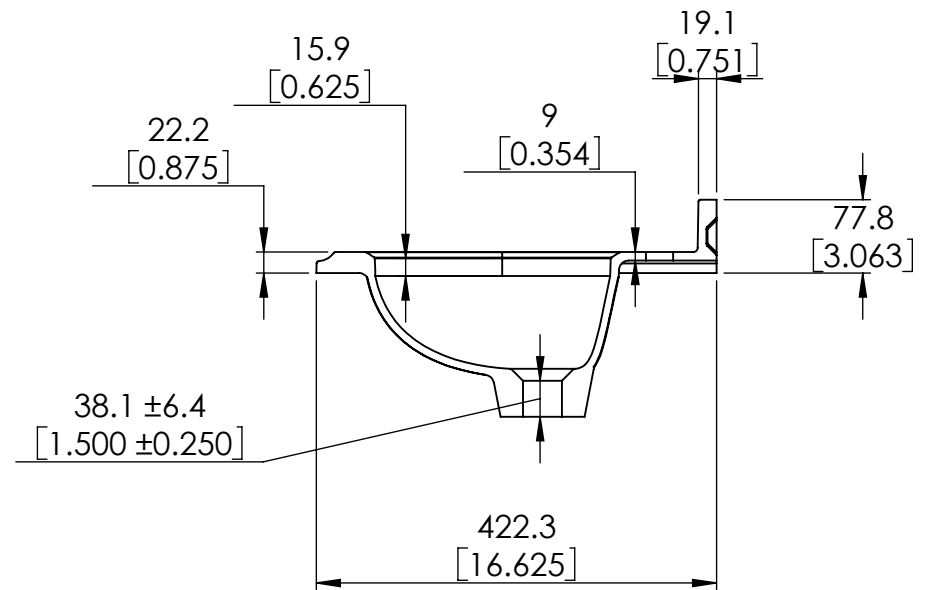
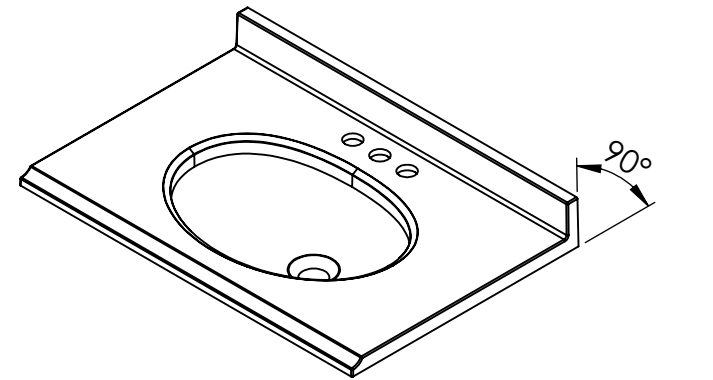
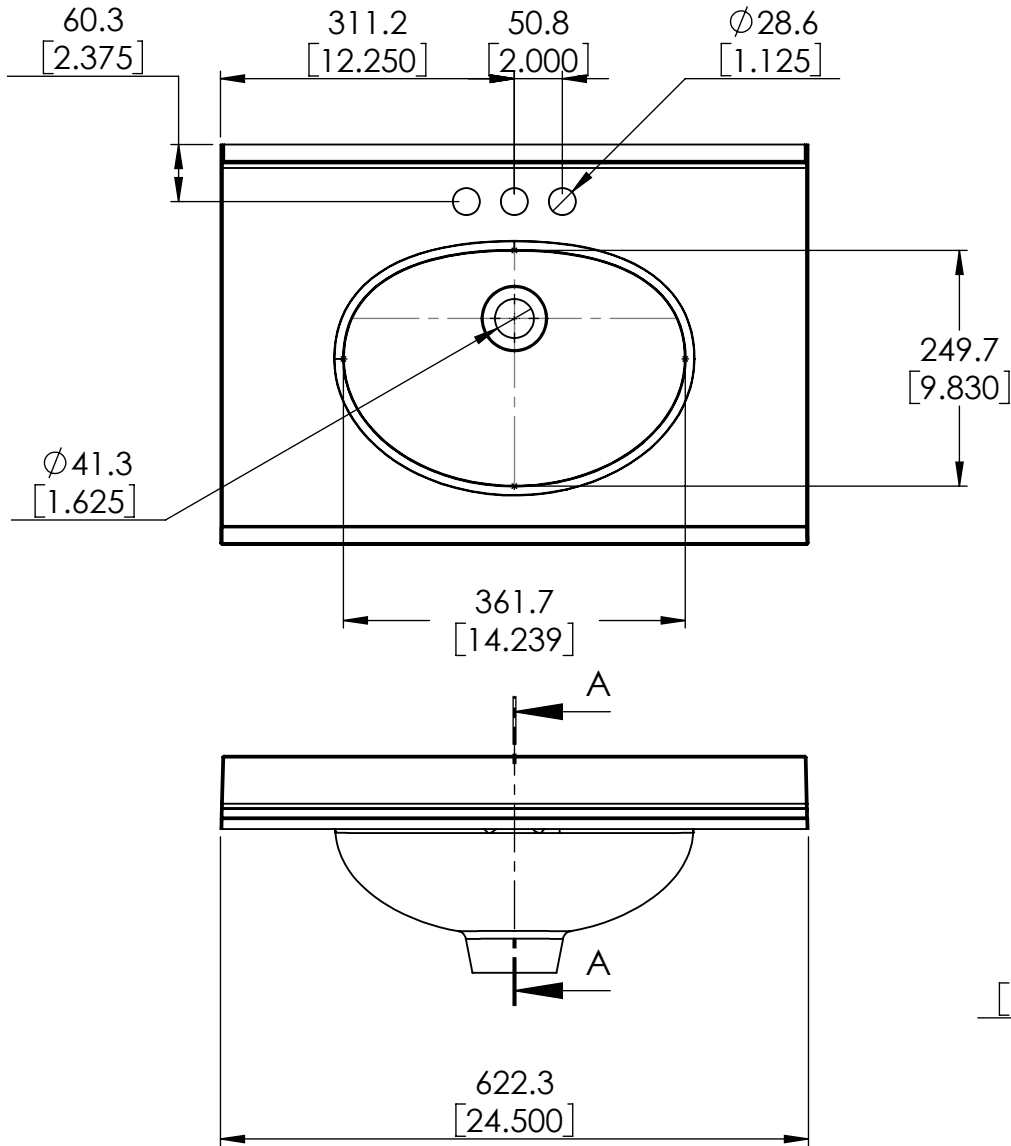


DRAWING TYPE	ITEM ID	ITEM DESCRIPTION	DRAWING STATUS
FINISH GOOD	595295	AB COMPOSITE / SOLID WHITE	READY FOR PRODUCTION
FINISH GOOD	595316	COLOR POINT / MAUI	READY FOR PRODUCTION

REVISION #	DATE	CHANGE	APPROVAL
0	3/08/13	NEW DRAWING	R. CAZAREZ
1	2/28/14	ITEM ID ADDED	R. CAZAREZ
2			
3			
4			



NOTE: MAX. WARPAGE TOLERANCE 1/8"

**PROPRIETARY AND CONFIDENTIAL**  
 THE INFORMATION CONTAINED IN THIS DRAWING IS THE SOLE PROPERTY OF WOODCRAFTERS. ANY REPRODUCTION IN PART OR AS A WHOLE WITHOUT THE WRITTEN PERMISSION OF WOODCRAFTERS IS PROHIBITED.

UNLESS OTHERWISE SPECIFIED  
 DIMENSIONS ARE IN MM. AND [INCHES]  
 TOLERANCES ARE  
 + 3.175 [0.125] - 3.175 [0.125]  
 SCALE: 1:8

	NAME	DATE
DRAWN	R. CAZAREZ	MAR/08/2013
CHECKED	E. SANDOVAL	FEB/28/2014
ENG APPR.	V. SANCHEZ	FEB/28/2014
MFG APPR.	C. LEAL	FEB/28/2014

SIZE

DWG. NO.

A

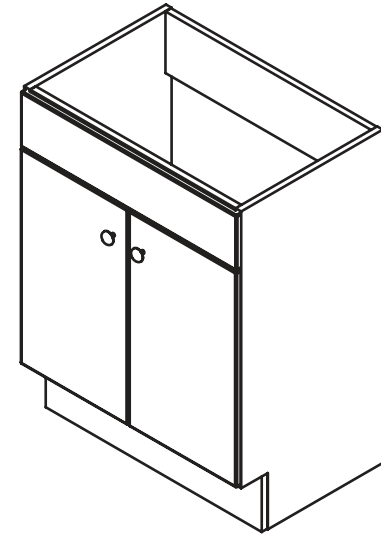
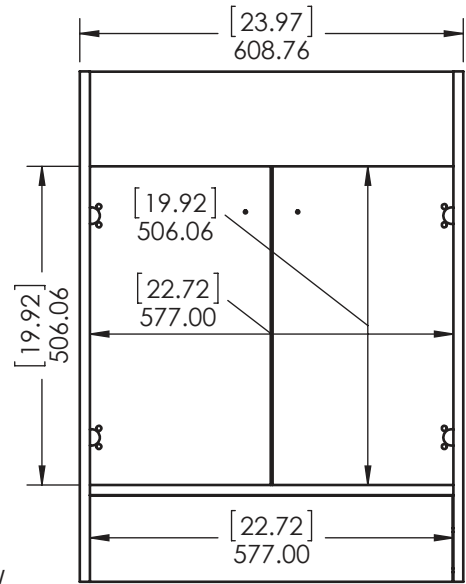
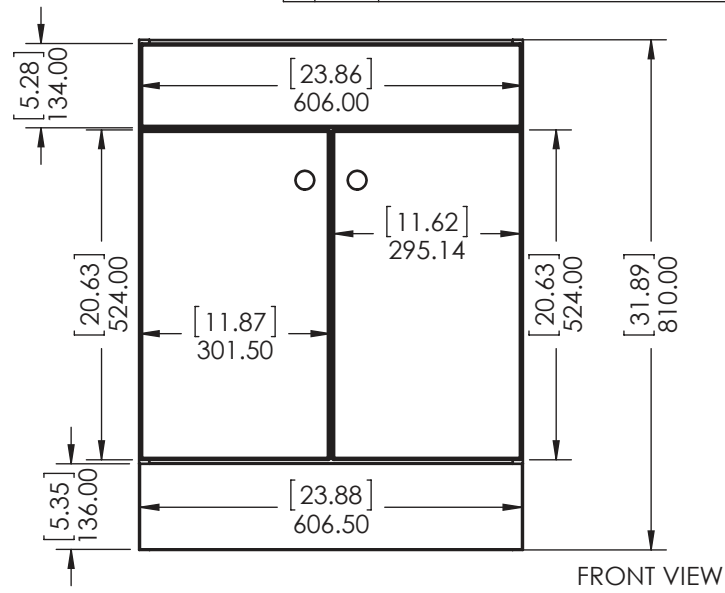
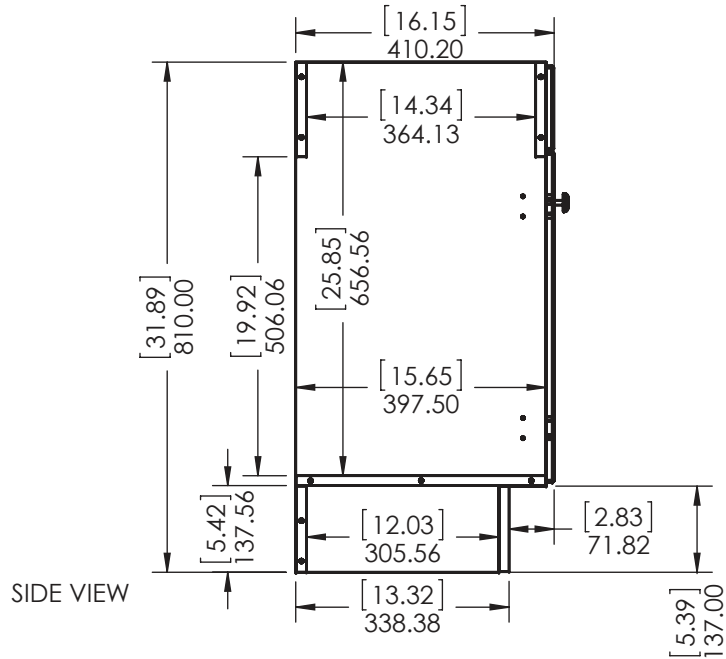
**Wood Crafters**

OPTIMO TOP 24.5 X 16.75 - FG

SHEET 1 OF 1

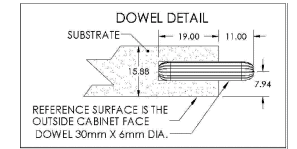
ITEM ID	DESCRIPTION
NE2416P2-F	Nevada 24

REV	ECO#	DESCRIPTION	REV'D BY DATE	CHK'D BY DATE	APRVD BY DATE
0		New Release	IASV 1/8/16	IASV 1/8/16	IASV 1/8/16



	Edge Banding	
(A) Surface	Cabinet Exterior	
(B) Surface	Cabinet Interior	
TAG	SIZE	QUANTITY
①	∅ 3 ↓ 3-9	#
②	∅ 5 ↓ 13	#
③	∅ 5 ↓ 30	#
④	∅ 6 ↓ 13	#
⑤	∅ 6 ↓ 19	4
⑥	∅ 7.5 ↓ THRU	#
⑦	∅ 8 ↓ 13	#
⑧	∅ 35 ↓ 13	#

All Dimensions Reference Finished Part.



BACK VIEW

ISOMETRIC VIEW

**PROPRIETARY AND CONFIDENTIAL**  
 THE INFORMATION CONTAINED IN THIS DRAWING IS THE SOLE PROPERTY OF WOODCRAFTERS HOME PRODUCTS L.L.C. ANY REPRODUCTION IN PART OR AS A WHOLE WITHOUT THE WRITTEN PERMISSION OF WOODCRAFTERS HOME PRODUCTS L.L.C. IS PROHIBITED.

UNLESS OTHERWISE SPECIFIED  
 DIMENSIONS ARE IN mm and [inches] AND TOLERANCES ARE +/- 1.0 [0.04]

DRAWN BY:	IASV	1/6/16
CHECKED BY:	IASV	1/6/16
APPROVED BY:	IASV	1/6/16 -
DO NOT SCALE DRAWING	SCALE: 1:10	SIZE: A

**Wood Crafters**

TITLE: **ENSAMBLE NEVADA 24" WHITE**

PART NO: PAGE 1 OF 1 REV: 0