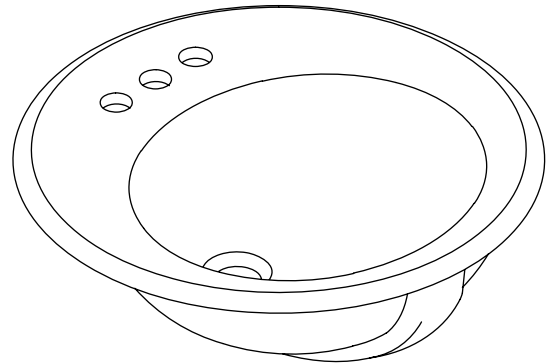


### COUNTERTOP LAVATORY K-2202

ADA

#### Features

- Vitreous china
- Self-rimming
- With overflow
- 8" (20.3 cm) centers (-8), 4" (10.2 cm) centers (-4), or single-hole (-1)
- ADA compliant when installed in a 21" (53.3 cm) minimum depth countertop
- Optional soap dispenser hole on left (-L) or right (-R)
- 19" (48.3 cm) diameter



#### Codes/Standards Applicable

Specified model meets or exceeds the following:

- ADA
- ASME A112.19.2
- CABO/ANSI A117.1
- IAPMO/UPC
- CSA International

#### Colors/Finishes

- 0: White
- Other: Refer to Price Book for additional colors/finishes

#### Accessories:

- CP: Polished Chrome

#### Specified Model

Model	Description	Colors/Finishes	
K-2202-8	With 8" (20.3 cm) centers; less soap dispenser hole	<input type="checkbox"/> 0 White	<input type="checkbox"/> Other_____
K-2202-4	With 4" (10.2 cm) centers; less soap dispenser hole	<input type="checkbox"/> 0 White	<input type="checkbox"/> Other_____
K-2202-4L	With 4" (10.2 cm) centers; with soap dispenser hole on left	<input type="checkbox"/> 0 White	<input type="checkbox"/> Other_____
K-2202-4R	With 4" (10.2 cm) centers; with soap dispenser hole on right	<input type="checkbox"/> 0 White	<input type="checkbox"/> Other_____
K-2202-1	With single-hole drilling; less soap dispenser hole	<input type="checkbox"/> 0 White	<input type="checkbox"/> Other_____
K-2202-1L	With single-hole drilling; with soap dispenser hole on left	<input type="checkbox"/> 0 White	<input type="checkbox"/> Other_____
K-2202-1R	With single-hole drilling; with soap dispenser hole on right	<input type="checkbox"/> 0 White	<input type="checkbox"/> Other_____

Recommended Accessory		
K-8998	P-Trap	<input type="checkbox"/> CP

#### Product Specification

The self-rimming lavatory shall be 19" (48.3 cm) in diameter. Lavatory shall be made of vitreous china. Lavatory shall have 8" (20.3 cm) centers (-8), 4" (10.2 cm) centers (-4), or single-hole drilling (-1). Lavatory shall be ADA compliant when installed in a 21" (53.3 cm) minimum depth countertop. Lavatory shall feature optional soap dispenser hole on K-2202-1 and K-2202-4 models (L, left or R, right). Lavatory shall be Kohler Model K-2202-\_\_\_\_\_-\_\_\_\_\_.

# BROOKLINE™

## Technical Information

ADA compliant			
Mexico products have an <b>M</b> after the first sequence of numbers (such as K-12345 <b>M</b> )			
Fixture*:		basin area	water depth
Lavatory		14" (35.6 cm) x 12" (30.5 cm)	4" (10.2 cm)
Outlet	1-3/4" D. (4.4 cm)		
* Approximate measurements for comparison only.			

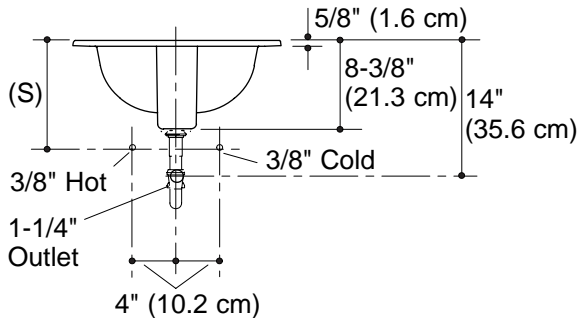
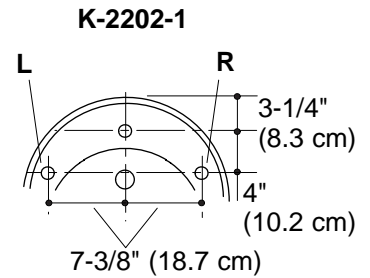
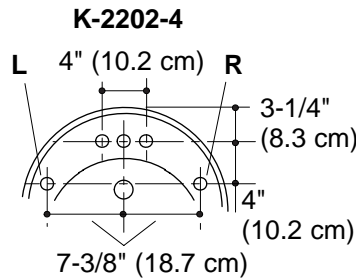
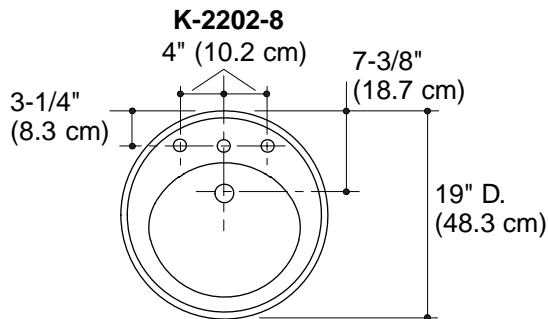
Holes	K-2202-8	K-2202-4	K-2202-1
Spout	1-3/8" D. (3.5 cm)	1-1/4" D. (3.2 cm)	1-3/8" D. (3.5 cm)
Faucet	1-3/8" D. (3.5 cm)	1-1/4" D. (3.2 cm)	
Soap dispenser			1-1/4" D. (3.2 cm)

Included Components:	
Cutout template	1002966-7

## Installation Notes

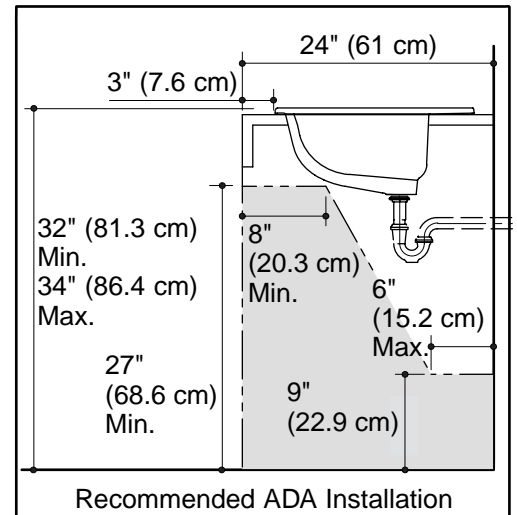
Install this product according to the installation guide.

**NOTICE:** Countertop manufacturer or cutter **must** use the cutout template provided with the product, or a current one provided by Kohler Co. (call 1-800-4-KOHLER). Kohler Co. is not responsible for cutout errors when the incorrect cutout template is used.



(S) Supply K-2202-1 & K-2202-4 = 10" (25.4 cm) and K-2202-8 = 14" (35.6 cm)

Standard Installation



## Product Diagram