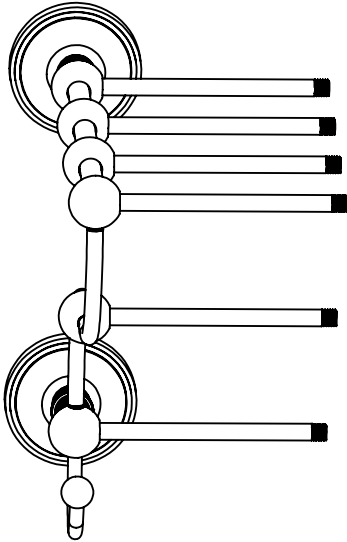


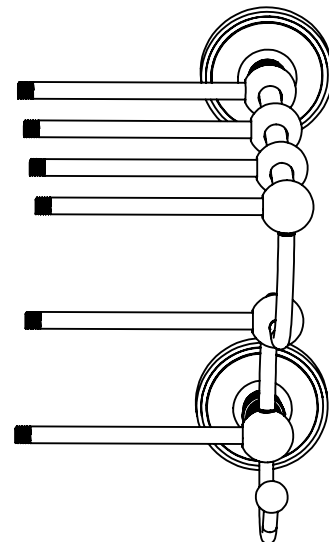
ASSEMBLY INSTRUCTIONS

Step 1: SIDE ASSEMBLY

Place the Left and Right side assemblies upright on the floor with short assembly nipples pointing towards each other.



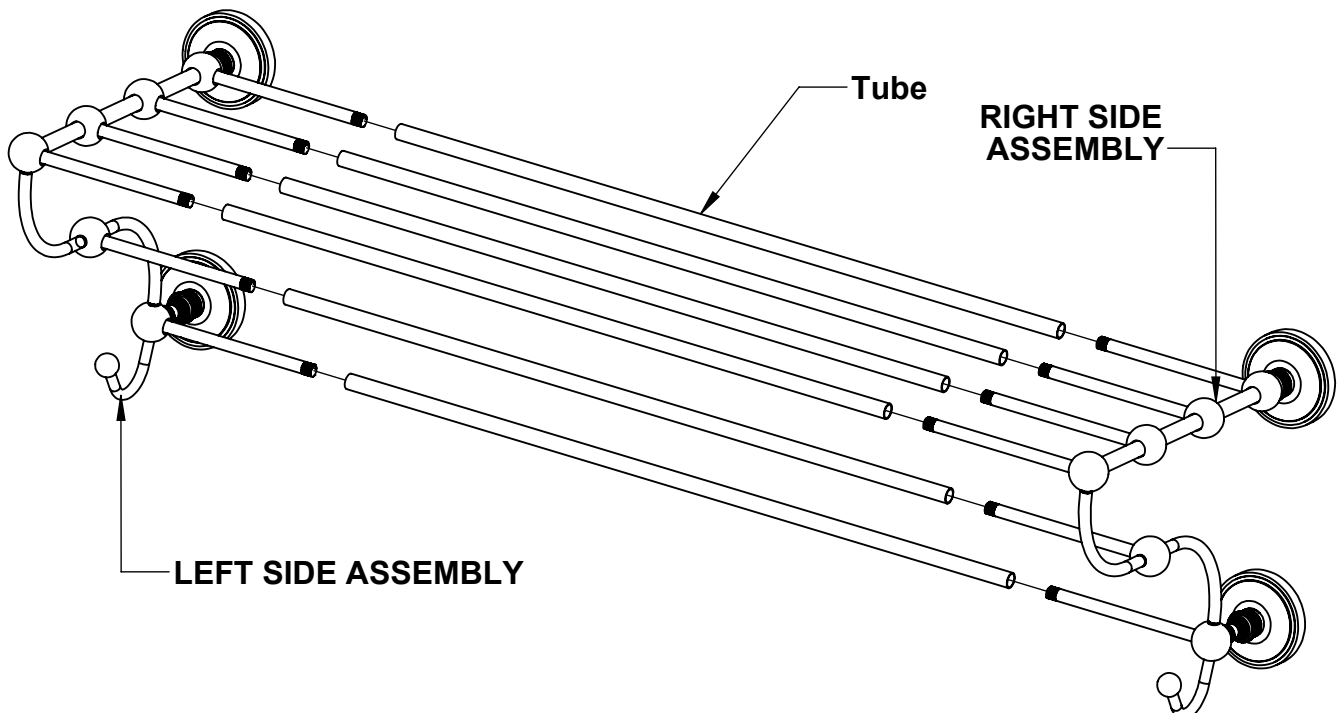
LEFT SIDE ASSEMBLY



RIGHT SIDE ASSEMBLY

Step 2: TUBE ASSEMBLY

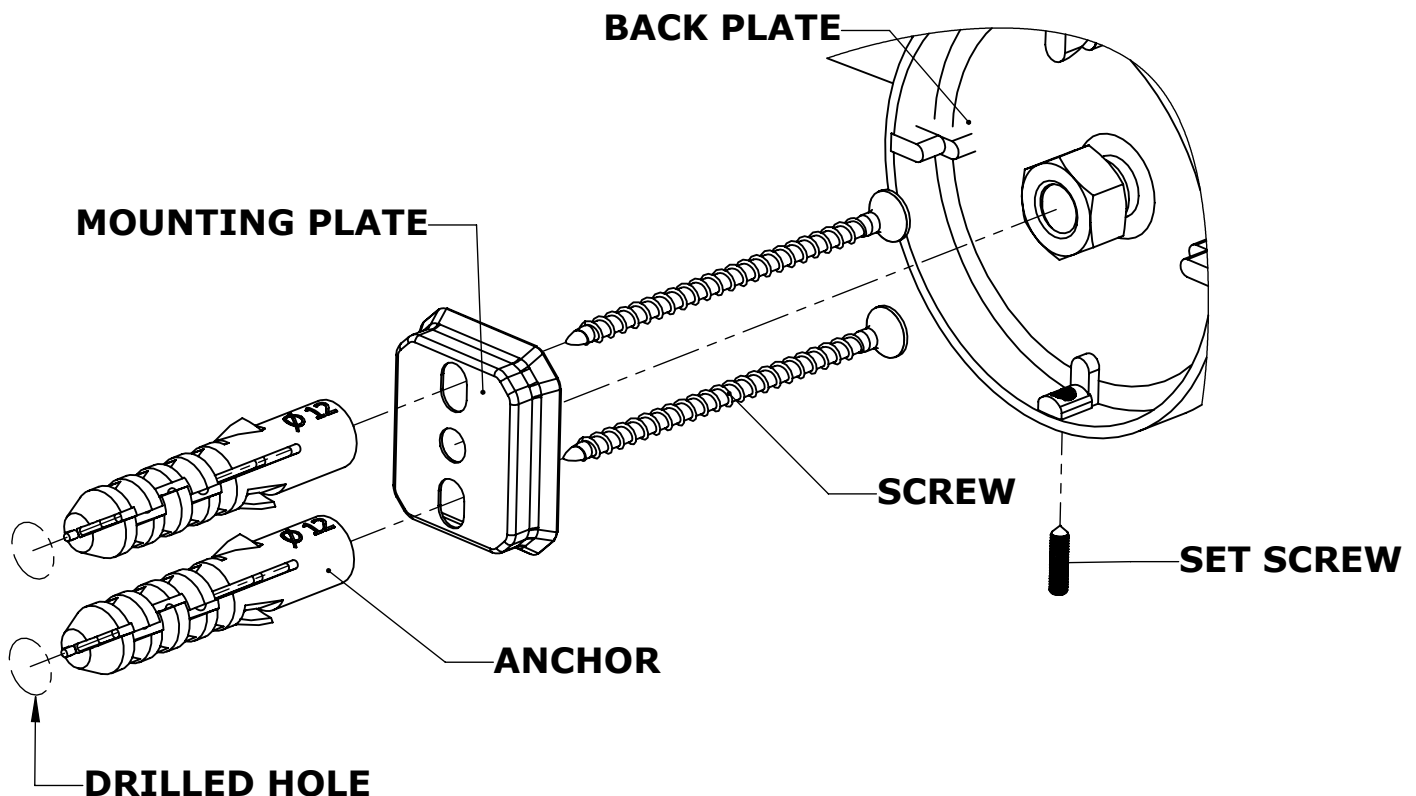
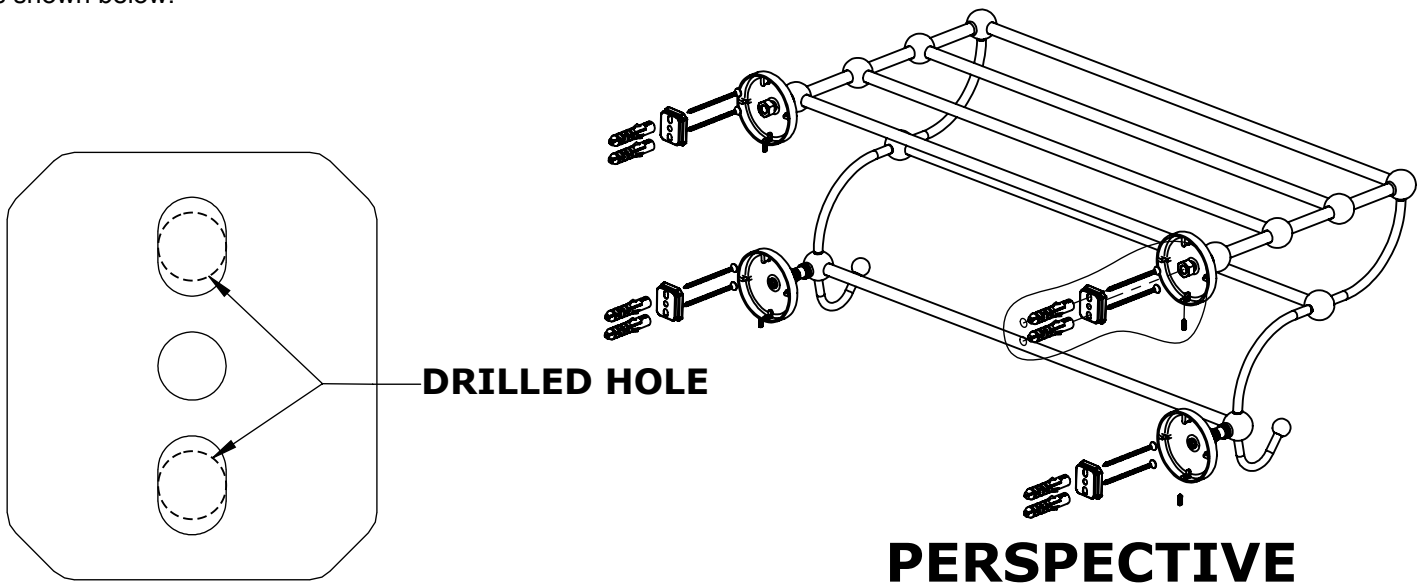
Slip each of the 6 long shelf tubes over short Left side assembly nipples, then slide the Right side assembly inward, inserting the assembly nipples into the other ends of the Long tubes.



INSTALLATION INSTRUCTIONS

Step 1: Drill holes in Wall for screw anchors and attach Mounting Plate to Wall

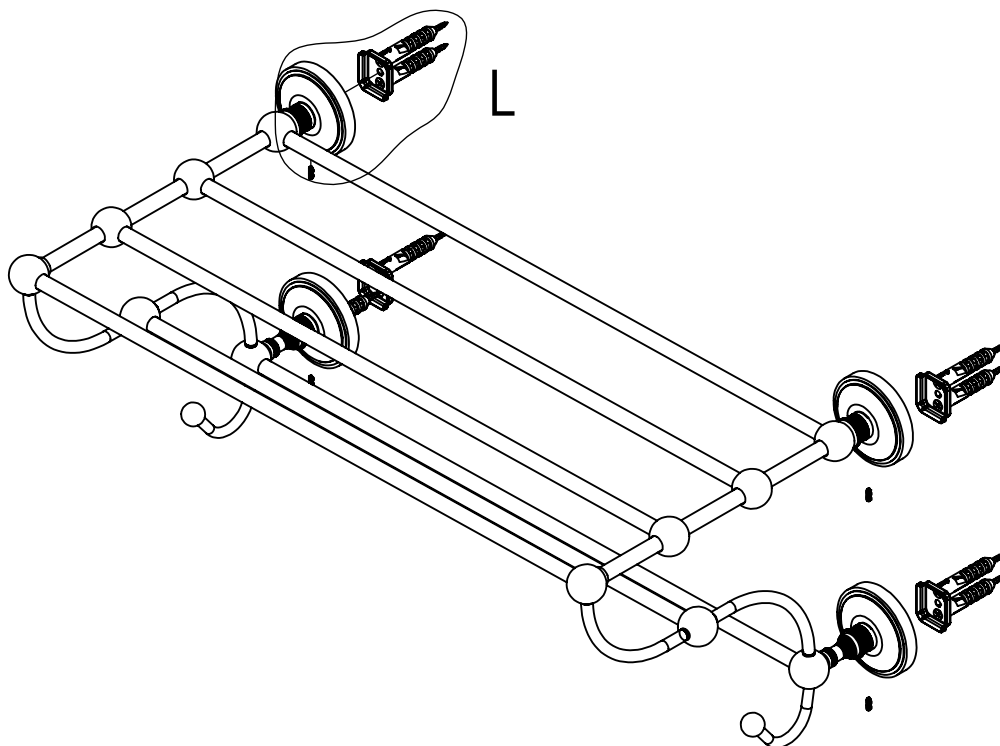
Determine your desired location for installation and make a mark for the location of the mounting plate. Remove mounting plate from backplate by loosening set screw in backplate as pictured below. Place center hole of mounting plate over mark made above. Measure and mark two holes on the wall for each mounting plate based on the center to center locations of the 4 back plate mounting plate. Drill hole at each of the marks. (You may substitute other style mounting anchors or screws if desired). Place anchors into the holes made. Place mounting plate over holes and secure to mounting surface using screws as shown below.



INSTALLATION INSTRUCTIONS

Step 2: Attach Bracket to Mounting Plate.

Place bracket on mounting plate and secure by tightening set screw as shown below.



PERSPECTIVE

