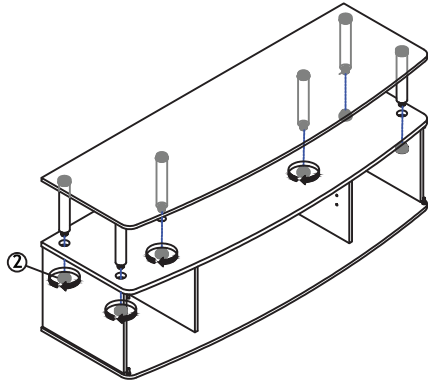
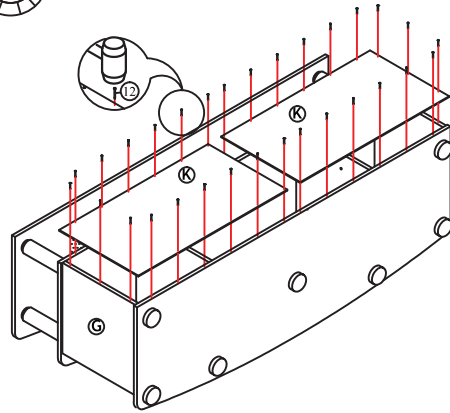


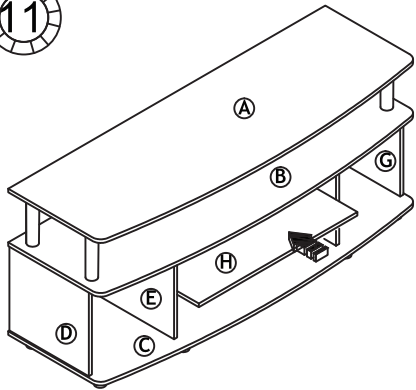
9



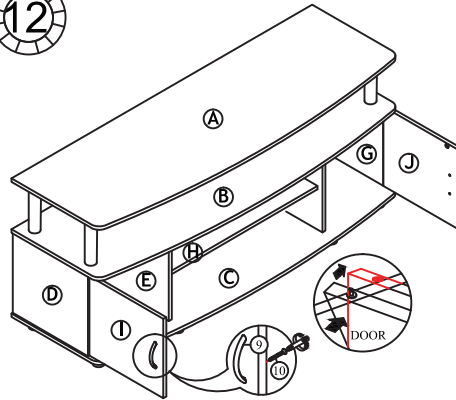
10



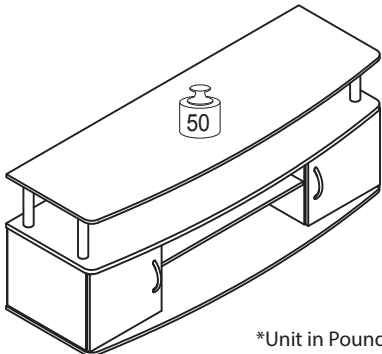
11



12



**Recommended Maximum Weight**



\*Unit in Pound(lbs)

**WARNING:**

>This unit has been designed to support the maximum loads shown. Exceeding these load limits could cause sagging, instability, product collapse, and/or serious injury.

>DO NOT allow children to climb on unit.

>Put heavier items on lower shelves.



**Assembly Instruction**

Furinno Large Entertainment Center

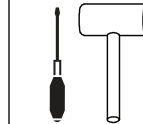
MODEL : 15113

00:30

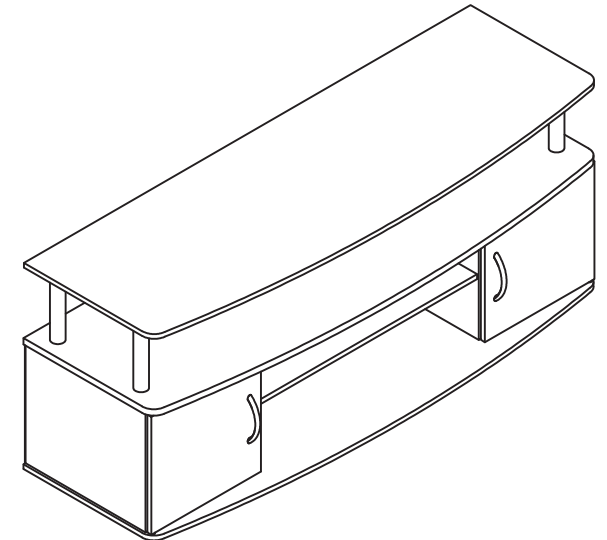
Approx. 30 minutes



Recomm. 2 Person



Tool Required

















**Customer Support**

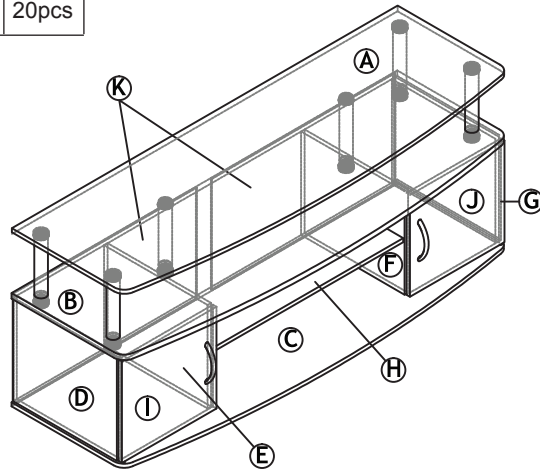
NEED HELP? For replacement requests or product inquiries, please contact our Customer Service Team by emailing us at [support@furinno.com](mailto:support@furinno.com). Thank you for selecting Furinno!

[www.furinno.com](http://www.furinno.com)



No	Hardware List	Qty
1	SHORT ROUND POLE 	6pcs
2	SMALL ROUND LEG 	6pcs
3	PVC LEG WITH PLUG 	7pcs
4	MINI FIX + HOUSING 4A  4B 	8sets
5	C/B SCREW A 	8pcs
6	DOWEL 	16pcs
7	MAGNET SET 7A  7B 	2sets
8	DOOR SPRING 	4pcs
9	HANDLE 	2pcs
10	C/B SCREW B 	4pcs
11	SHELF SUPPORT 	4pcs
12	POWER PIN 	20pcs

No	Parts List	Qty
A	TOP PANEL	1pc
B	CENTER PANEL	1pc
C	BOTTOM PANEL	1pc
D	LEFT SIDE PANEL	1pc
E	CENTER LEFT SIDE PANEL	1pc
F	CENTER RIGHT SIDE PANEL	1pc
G	RIGHT SIDE PANEL	1pc
H	SHELF PANEL	1pc
I	LEFT DOOR PANEL	1pc
J	RIGHT DOOR PANEL	1pc
K	BACK PANEL	2pcs



#### USEFUL HINTS BEFORE YOU START:

1. Read each step carefully before starting.
2. It is important that each step is performed in correct order to avoid difficulties.
3. Identify, sort and count the parts before assembly.
4. Assemble your furniture on packaging cardboard to prevent scratch or damage.
5. Clean the product with mild cleanser using soft damped cloth. Do not use harsh or abrasive cleanser.
6. Using incompatible hardware might cause damage to product.

