



Step 1: Assemble wingtip/crosspieces

- For your protection, wear safety glasses and gloves when working with wood.
- Divide the (12) wingtip pieces (#2 in Fig. 1) into (6) pairs. Place (1) pair at each end of each crosspiece. Abutt the angled ends of each pair as indicated by the red arrows in Fig. 2. Use the red circle in Fig. 2 to help positioning the wingtips at the end of each crosspiece.

NOTE: Placing the wingtips exactly as shown in Fig. 2 will result in slightly larger gaps between each crosspiece/wingtip assembly, as shown in Fig. 5.

If less gapping (or no gapping) is desired, simply place the wingtips an inch lower on the crosspiece (toward the center), as shown in Fig. 6.

- Once comfortable with the position of the wingtips, evenly apply provided wood glue to both wingtip pieces, reposition at each end of each crosspieces, and apply even pressure until glue is completely dry. Use clamps if desired.

Items needed for assembly

- 3 – Crosspieces (#1 in Fig. 1)
- 6 – 2-piece wingtip assemblies (#2 in Fig. 1)
- 1 – Pre-cut dowel (Fig. 3)
- 1 – Wood glue packet (included)
- Drop cloth or covered work surface
- Rag for glue clean-up
- OPTIONAL – Rubber mallet
- OPTIONAL – Clamps

Note: Finish your Giant Reclaimed Pallet Board Snowflake with paint, stain, glitter, stencils, etc., or leave unfinished and enjoy its natural, rustic finish. Match any décor, indoors or out, any way you like. For outdoor use, protect your project with a water-proof/weather-proof sealant.

Step 2: Assemble snowflake

- Place each of the (3) crosspiece/wingtip assemblies so that they're all lying the same way, either facing up or down.
- Apply a small amount of wood glue to the pre-cut dowel (Fig. 3). Coat dowel evenly using either your finger or a small brush. **NOTE: Do not over-apply glue.** This may cause excess glue to seep onto the faces of the crosspieces and cause any optional finishes to coat unevenly, detracting from the overall appearance of your completed project.
- One by one, slide the pre-drilled dowel holes over the glue-covered dowel (Fig. 4). If needed, use a small rubber mallet to tamp them down into place.
- Moving quickly, place the crosspieces at the desired angles, adjusting as needed until even spacing and alignment is achieved.
- Clamp if desired and allow glue to dry completely before adding any custom finish(es).

Step 3: Finish & mount

- As noted above under *Items needed*, finish (or not) as you wish.
- Purchase the mounting hardware of your choice, including, if necessary, the appropriate wall anchors for the wall material on which you wish to display your snowflake. Hang and enjoy.

THE DIAGRAMS AND INSTRUCTIONS IN THIS BROCHURE ARE FOR ILLUSTRATION PURPOSES ONLY AND ARE NOT MEANT TO REPLACE A LICENSED PROFESSIONAL. ANY CONSTRUCTION OR USE OF THE PRODUCT MUST BE IN ACCORDANCE WITH ALL LOCAL ZONING AND/OR BUILDING CODES. THE CONSUMER ASSUMES ALL RISKS AND LIABILITY ASSOCIATED WITH THE CONSTRUCTION OR USE OF THIS PRODUCT. THE CONSUMER OR CONTRACTOR SHOULD TAKE ALL NECESSARY STEPS TO ENSURE THE SAFETY OF EVERYONE INVOLVED IN THE PROJECT, INCLUDING, BUT NOT LIMITED TO, WEARING THE APPROPRIATE SAFETY EQUIPMENT. UNIVERSAL FOREST PRODUCTS, INC. SHALL NOT BE LIABLE FOR ANY DAMAGES, INCLUDING CONSEQUENTIAL DAMAGES.

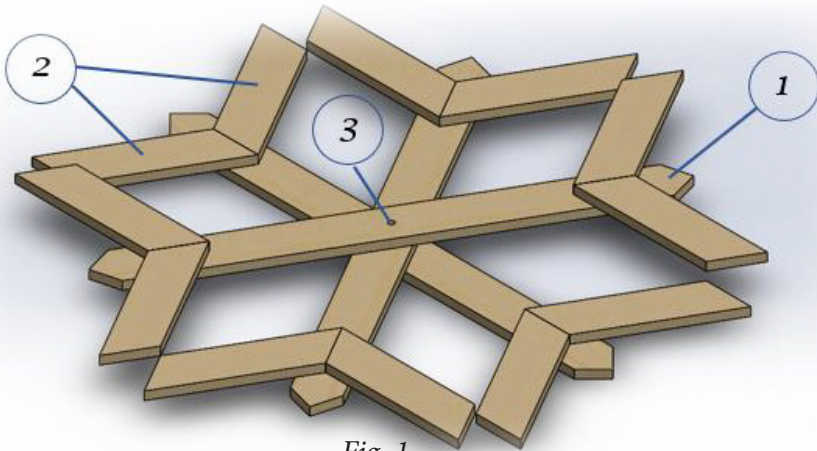


Fig. 1

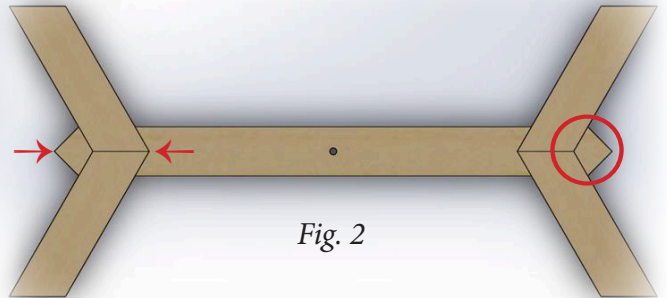


Fig. 2



Fig. 3

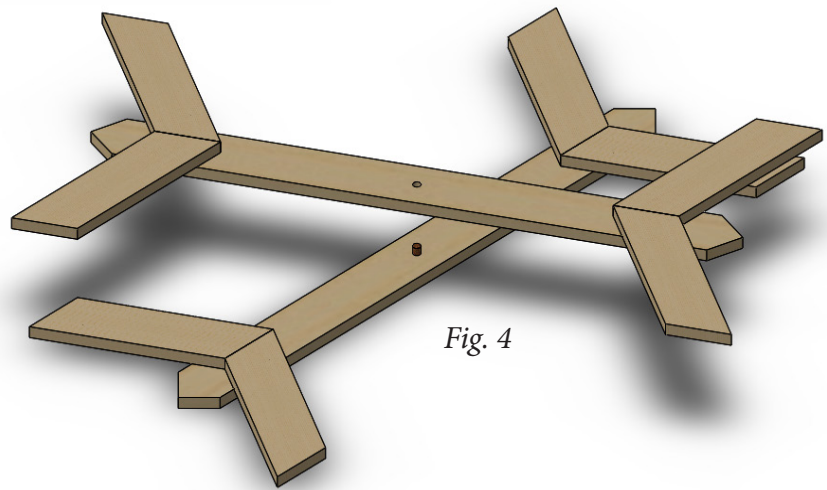


Fig. 4

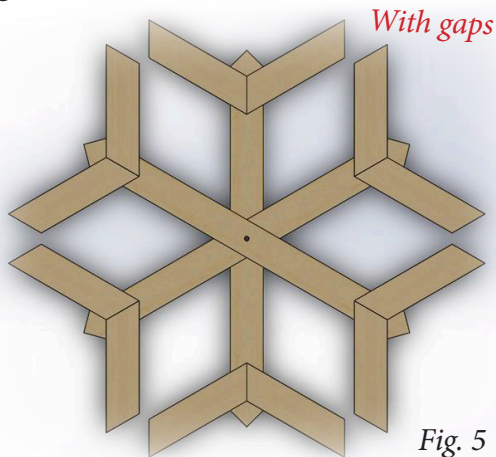


Fig. 5

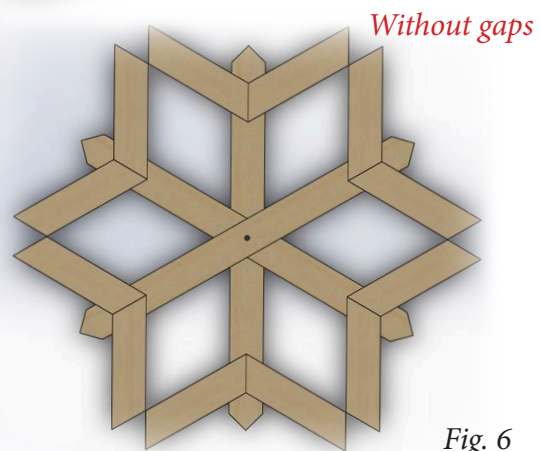


Fig. 6

THE DIAGRAMS AND INSTRUCTIONS IN THIS BROCHURE ARE FOR ILLUSTRATION PURPOSES ONLY AND ARE NOT MEANT TO REPLACE A LICENSED PROFESSIONAL. ANY CONSTRUCTION OR USE OF THE PRODUCT MUST BE IN ACCORDANCE WITH ALL LOCAL ZONING AND/OR BUILDING CODES. THE CONSUMER ASSUMES ALL RISKS AND LIABILITY ASSOCIATED WITH THE CONSTRUCTION OR USE OF THIS PRODUCT. THE CONSUMER OR CONTRACTOR SHOULD TAKE ALL NECESSARY STEPS TO ENSURE THE SAFETY OF EVERYONE INVOLVED IN THE PROJECT, INCLUDING, BUT NOT LIMITED TO, WEARING THE APPROPRIATE SAFETY EQUIPMENT. UNIVERSAL FOREST PRODUCTS, INC. SHALL NOT BE LIABLE FOR ANY DAMAGES, INCLUDING CONSEQUENTIAL DAMAGES.