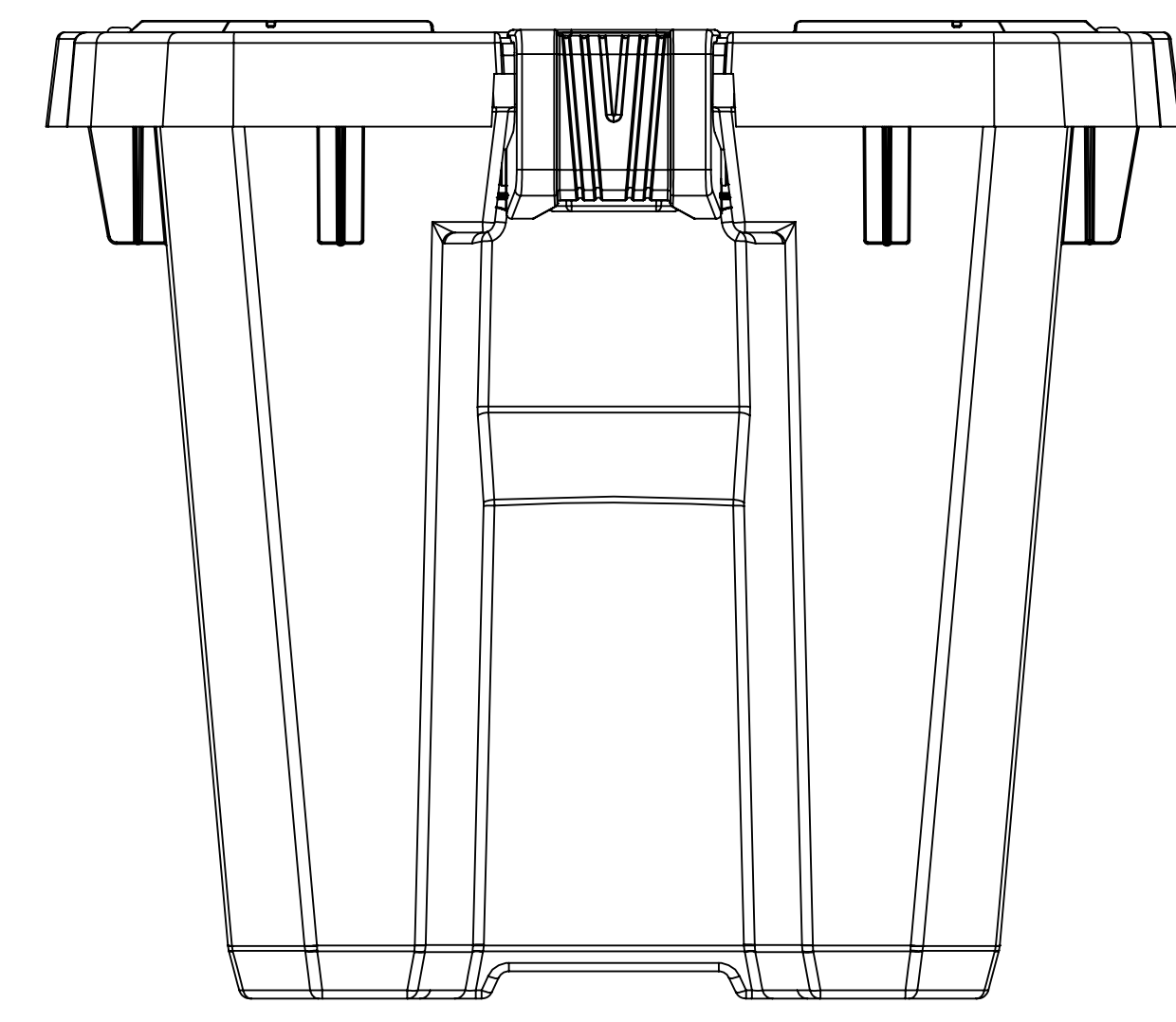
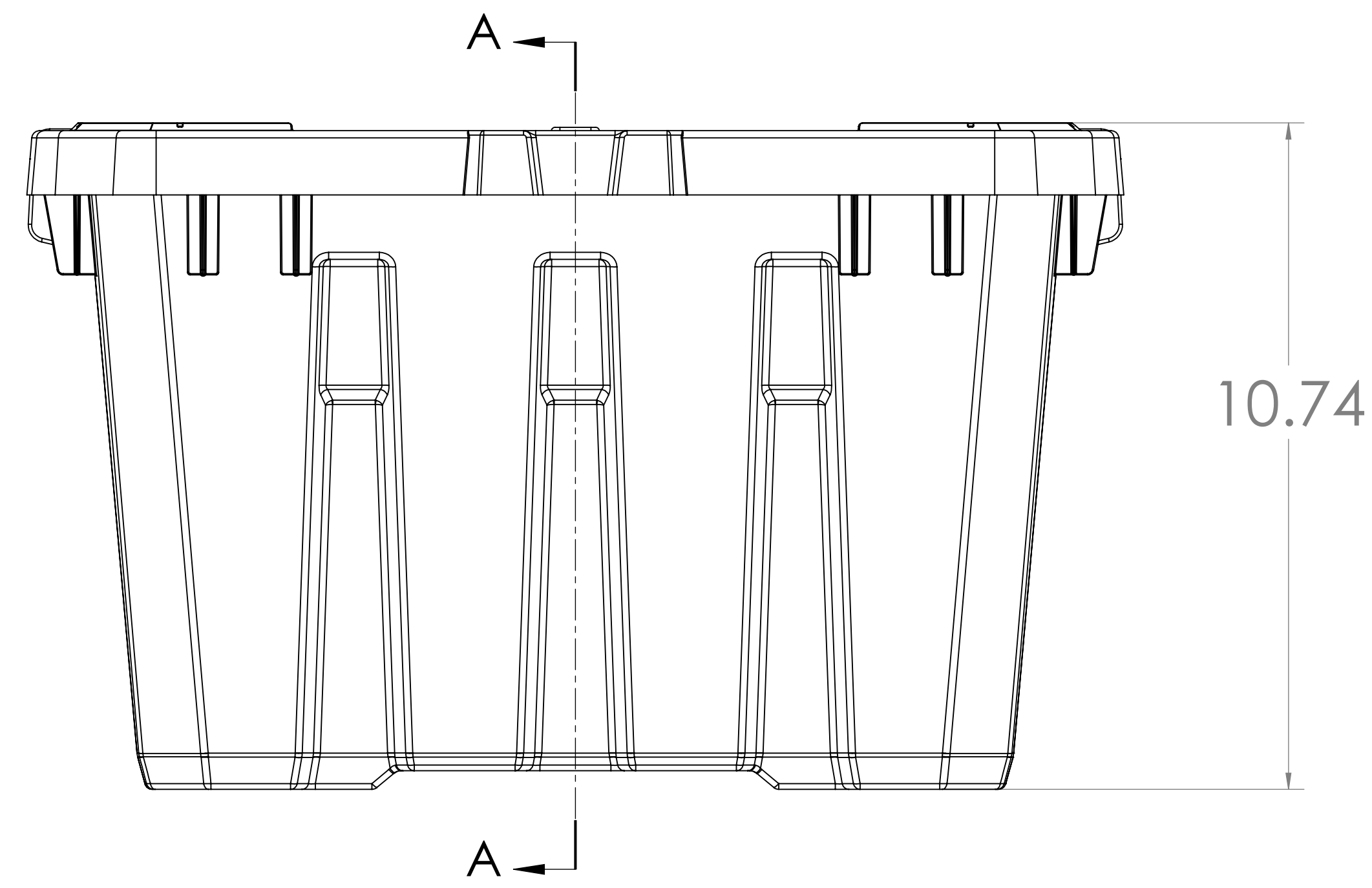
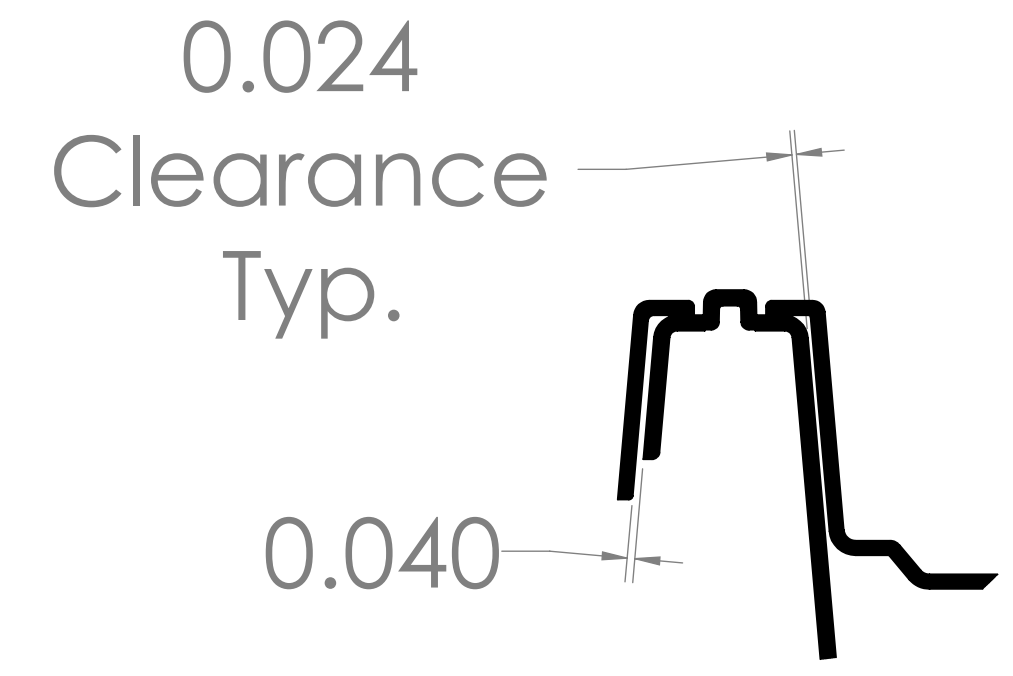
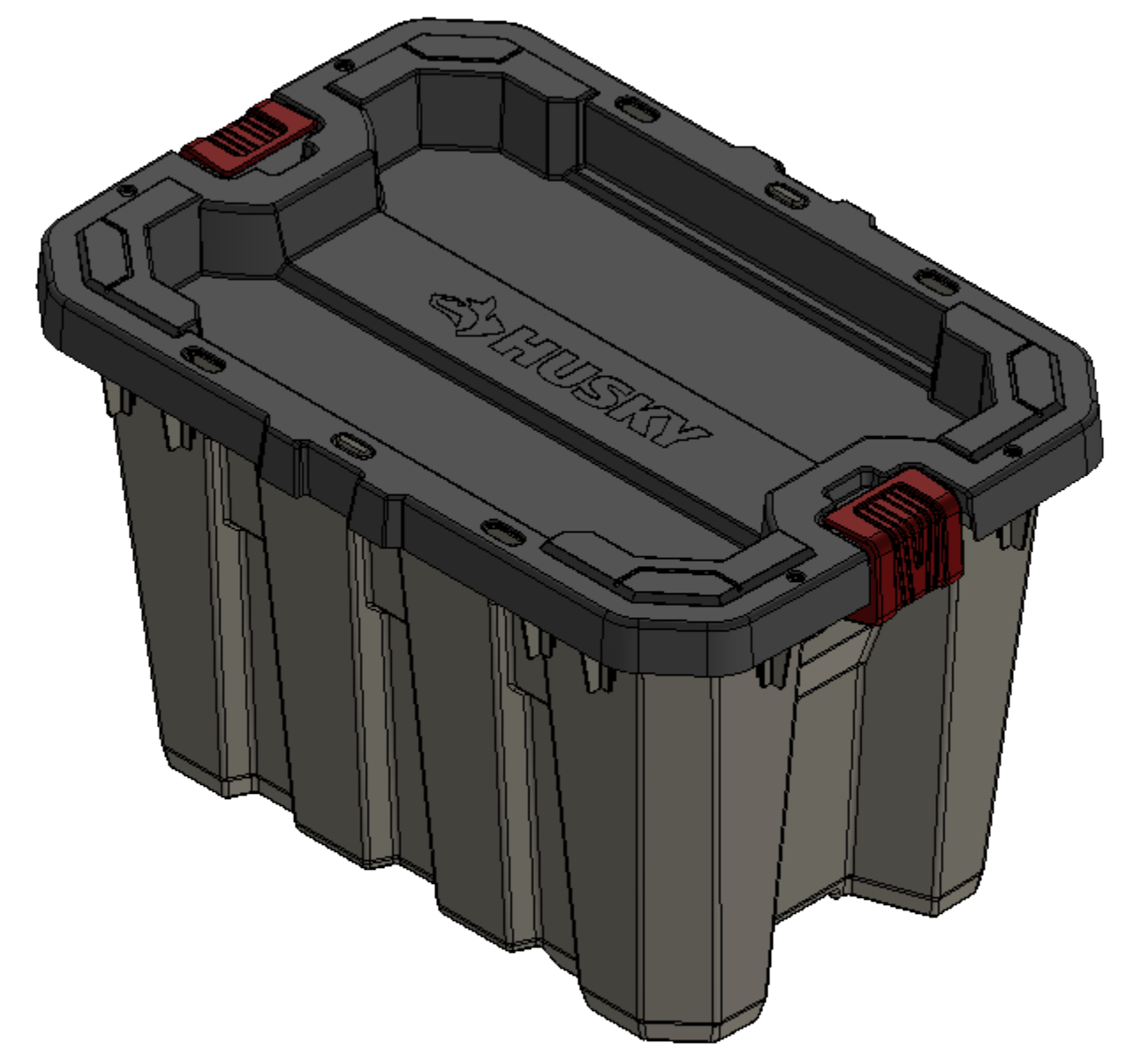
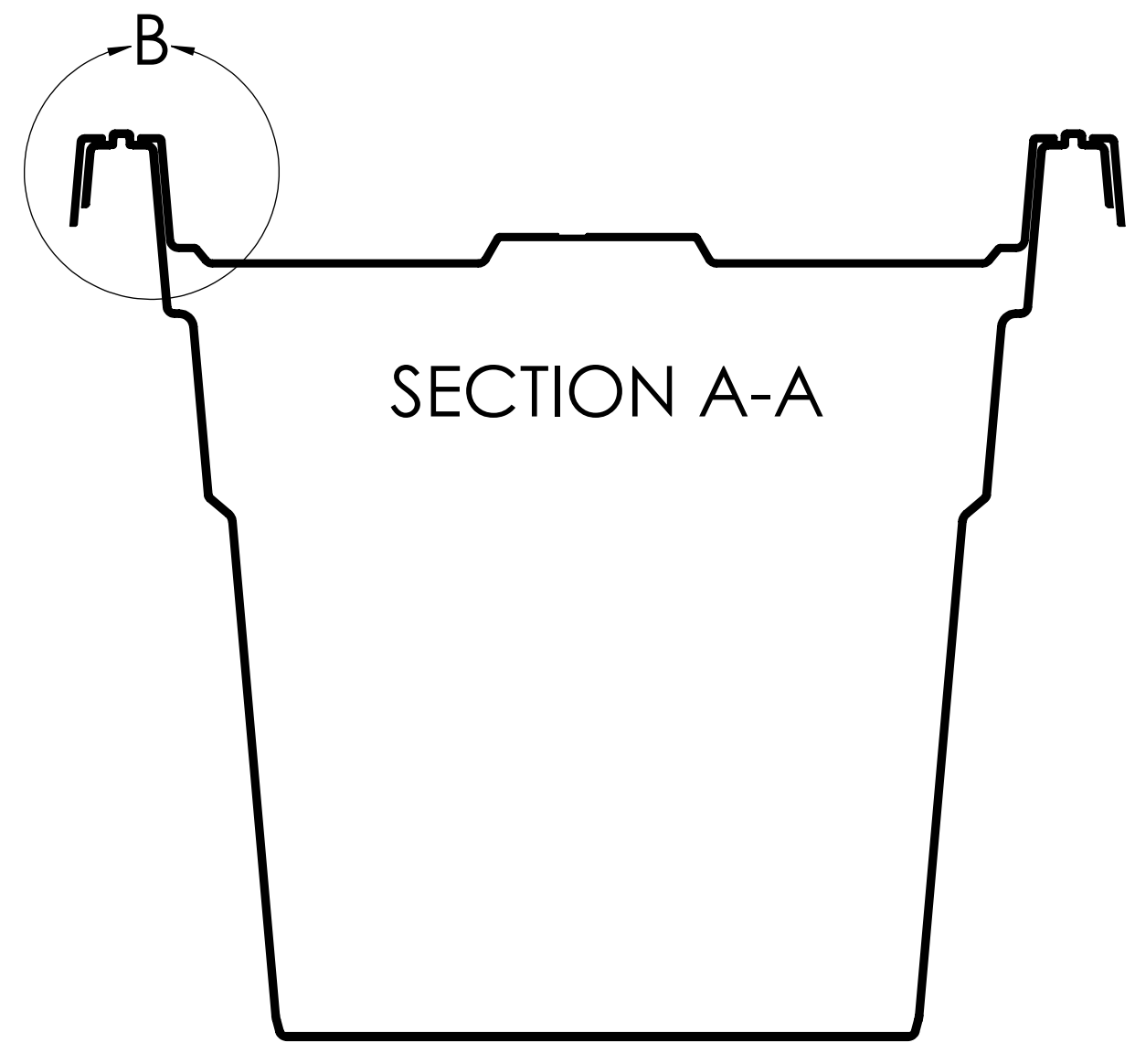
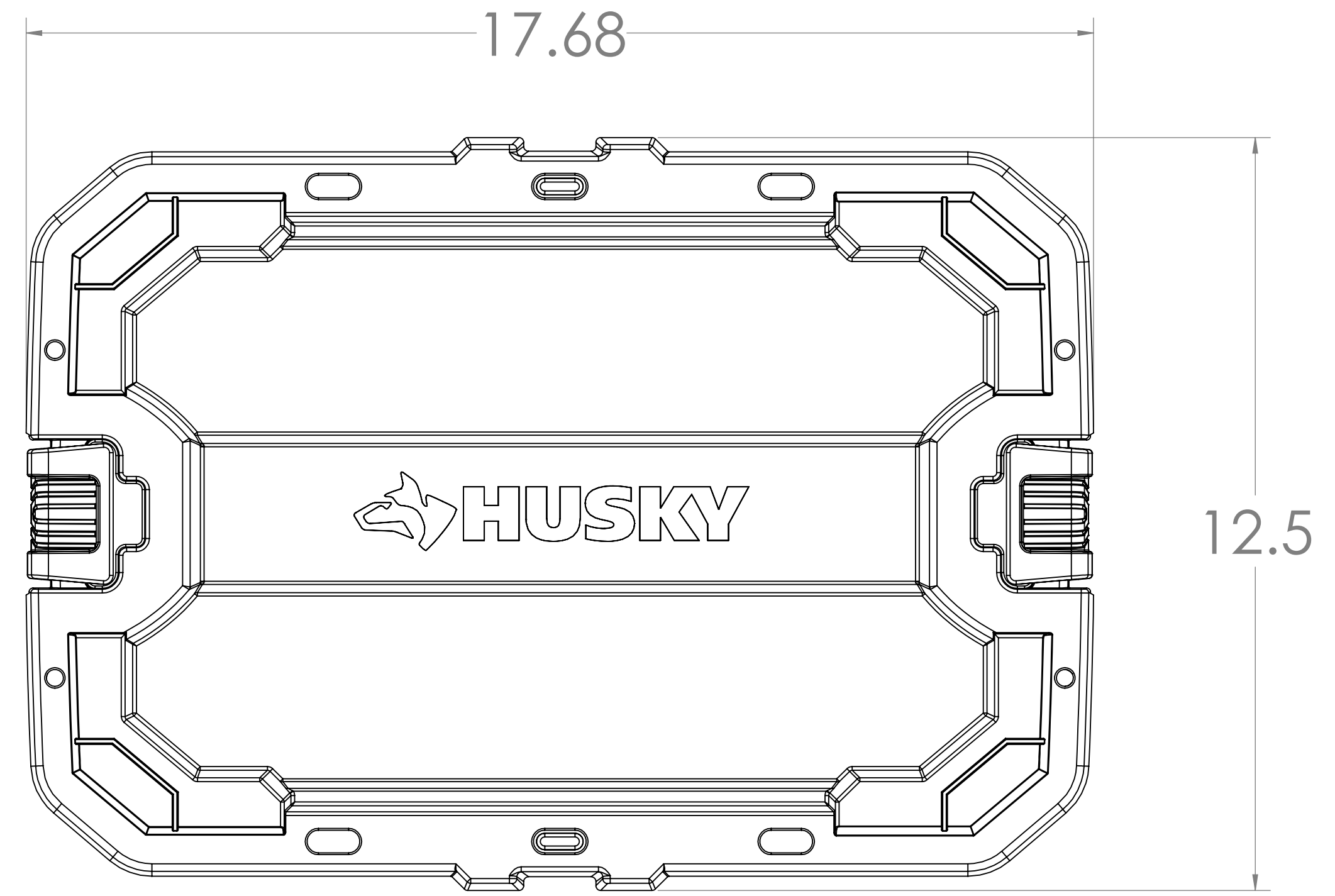


REVISIONS				
ZONE	REV.	DESCRIPTION	DATE	APPROVED



DETAIL B
SCALE 1 : 1

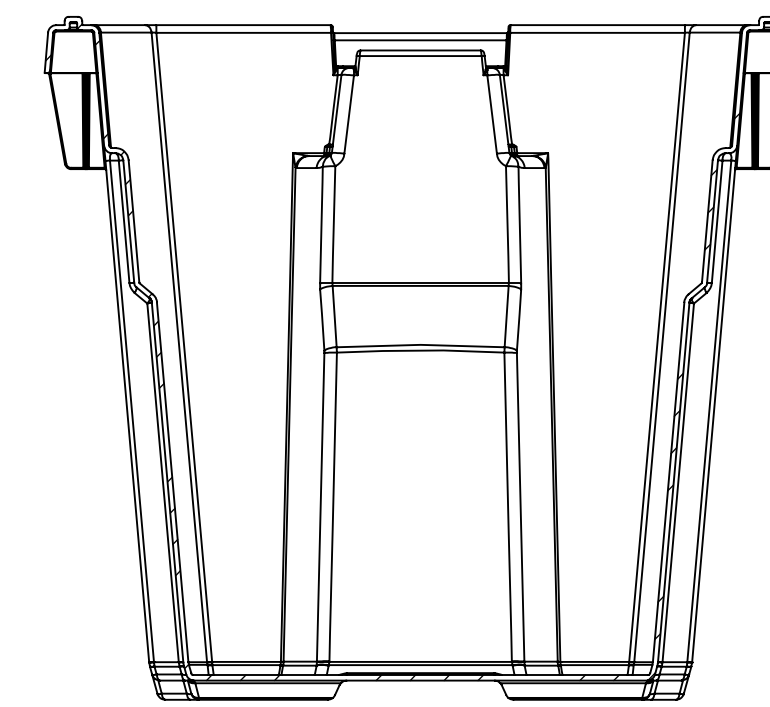
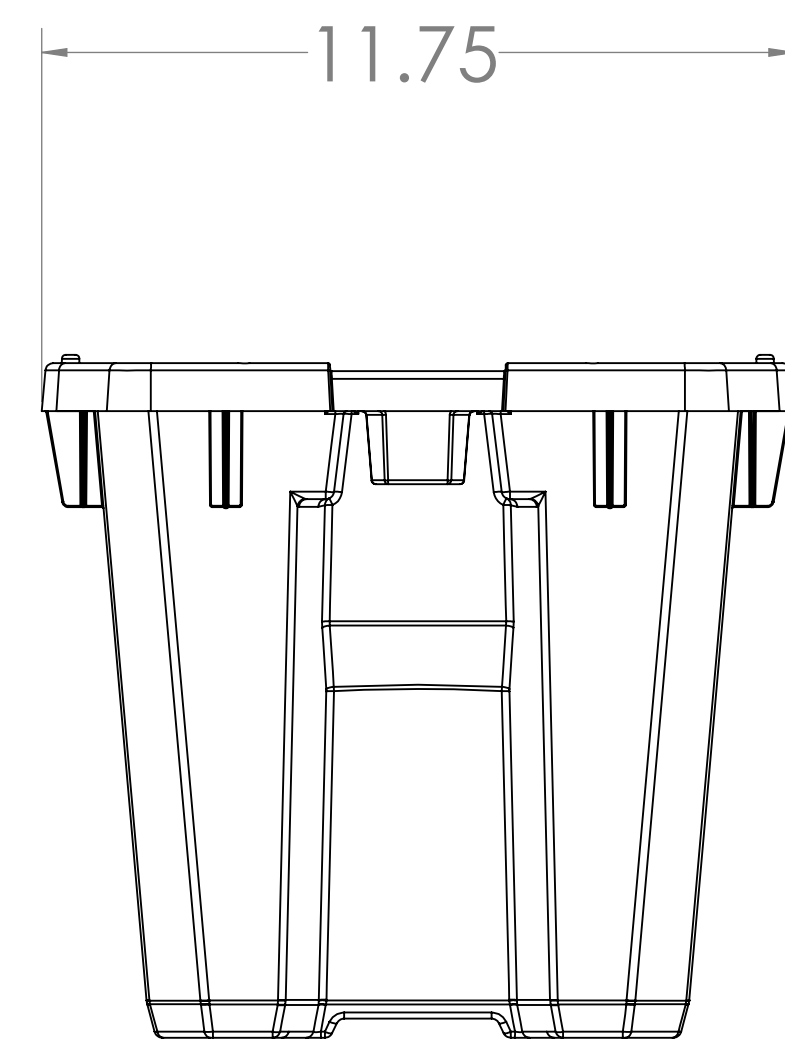
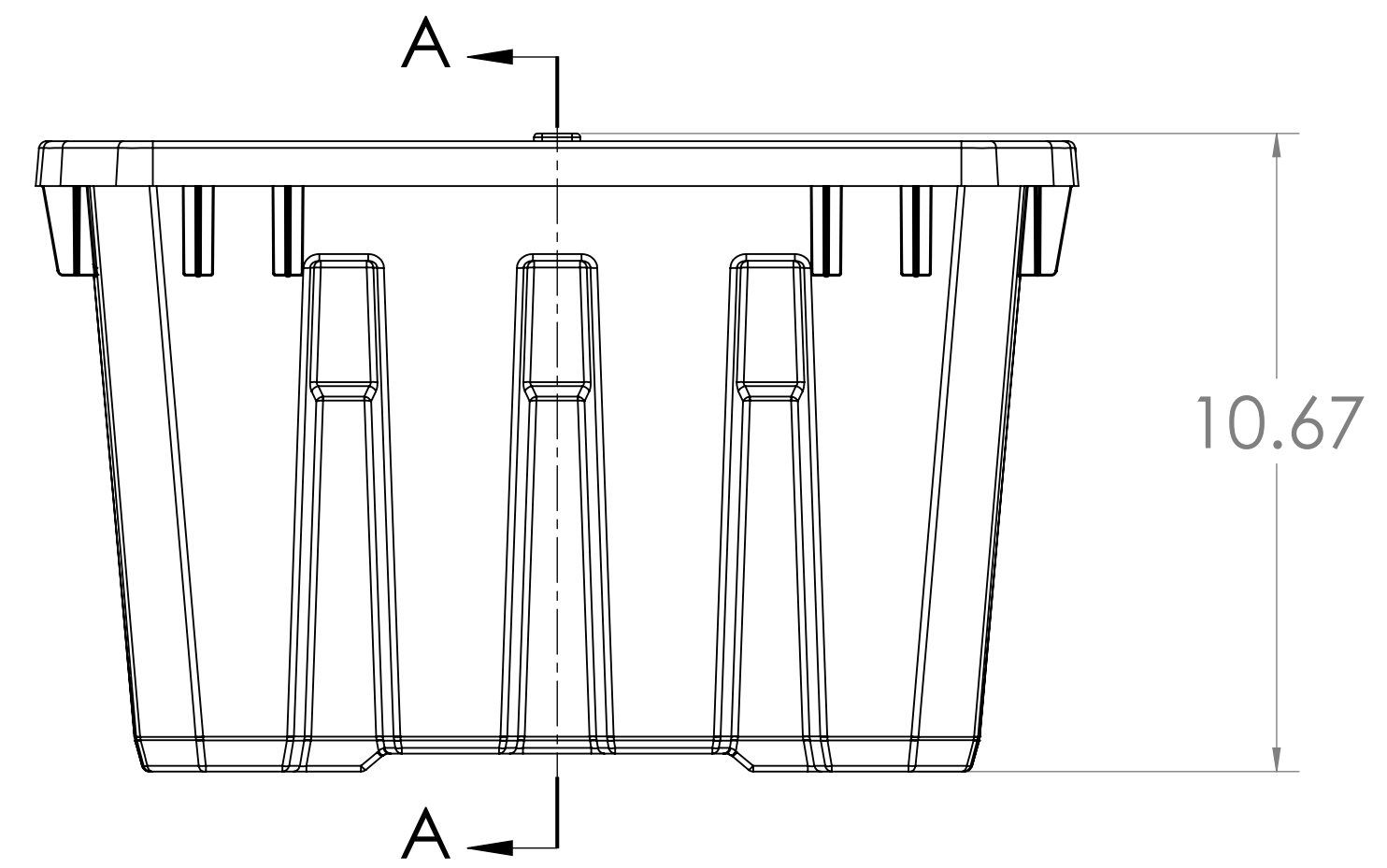
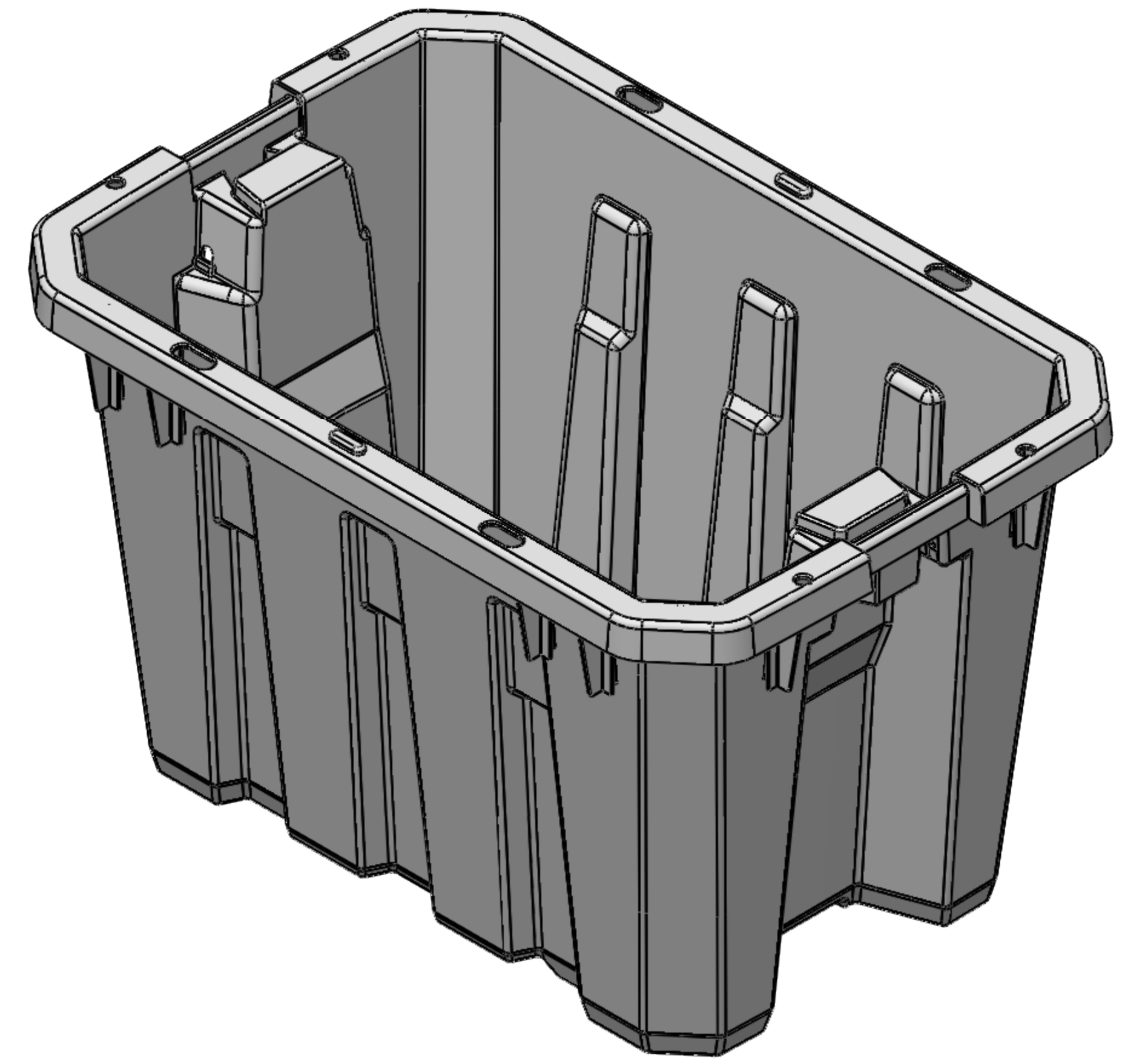
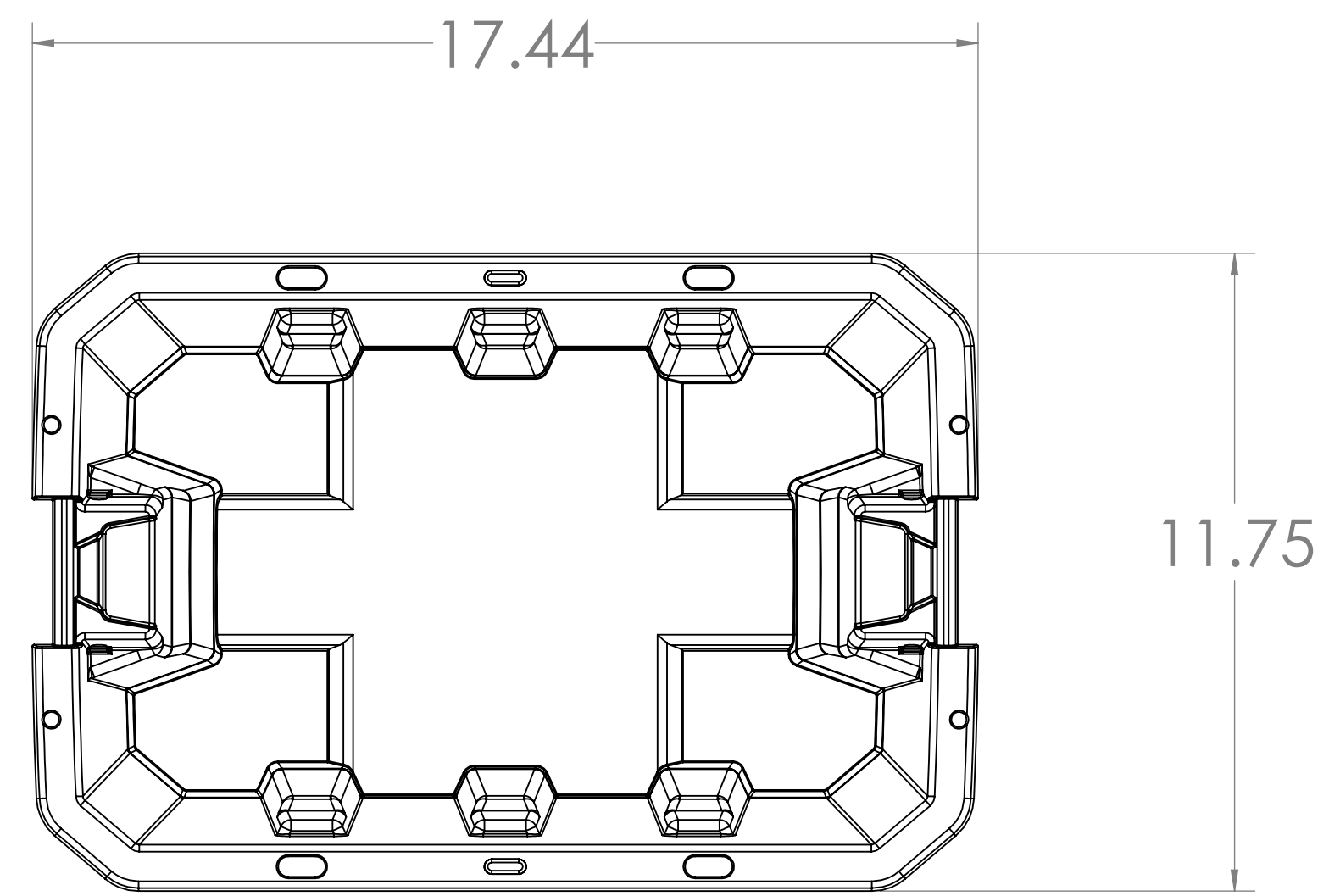
ITEM NO.	DESCRIPTION	QTY.
1	5 Gallon Bin	1
2	5 Gallon Lid	1
3	5 Gallon - Latch Handle	2

UNLESS OTHERWISE SPECIFIED:	NAME	DATE	
DIMENSIONS ARE IN INCHES	DRAWN		
TOLERANCES:	CHECKED		TITLE:
FRACTIONAL ±	ENG APPR.		SIZE DWG. NO.
ANGULAR MATCH ±	MFG APPR.		D 7814_5 Gallon Assembly_Home Depot
TWO PLACE DECIMAL ±	Q.A.		SCALE: 1:2 WEIGHT:
THREE PLACE DECIMAL ±	COMMENTS:		SHEET 1 OF 1
INTERPRET GEOMETRIC TOLERANCING PER:			
MATERIAL			
PP Homopolymer			
FINISH			
APPLICATION			

PROPRIETARY AND CONFIDENTIAL
THE INFORMATION CONTAINED IN THIS DRAWING IS THE SOLE PROPERTY OF CREATIVE PLASTICS CONCEPTS. ANY REPRODUCTION IN PART OR AS A WHOLE WITHOUT THE WRITTEN PERMISSION OF CREATIVE PLASTICS CONCEPTS IS PROHIBITED.

7814_5 cGallic Assembly_Home Depot

REVISIONS				
ZONE	REV.	DESCRIPTION	DATE	APPROVED



SECTION A-A
SCALE 1 : 3

Bin Holding Volume: 5.37 Gallons

ITEM NO.	DESCRIPTION	QTY.
1	5 Gallon Bin	1

UNLESS OTHERWISE SPECIFIED:		NAME	DATE
DIMENSIONS ARE IN INCHES			
TOLERANCES:			
FRACTIONAL ±			
ANGULAR MATCH ±	BEND ±		
TWO PLACE DECIMAL ±	MFG APPR.		
THREE PLACE DECIMAL ±			
	Q.A.		
	COMMENTS:		
INTERPRET GEOMETRIC TOLERANCING PER:			
MATERIAL:			
PP Homopolymer			
FINISH:			
NEXT ASSY:	USED ON:		
APPLICATION:			



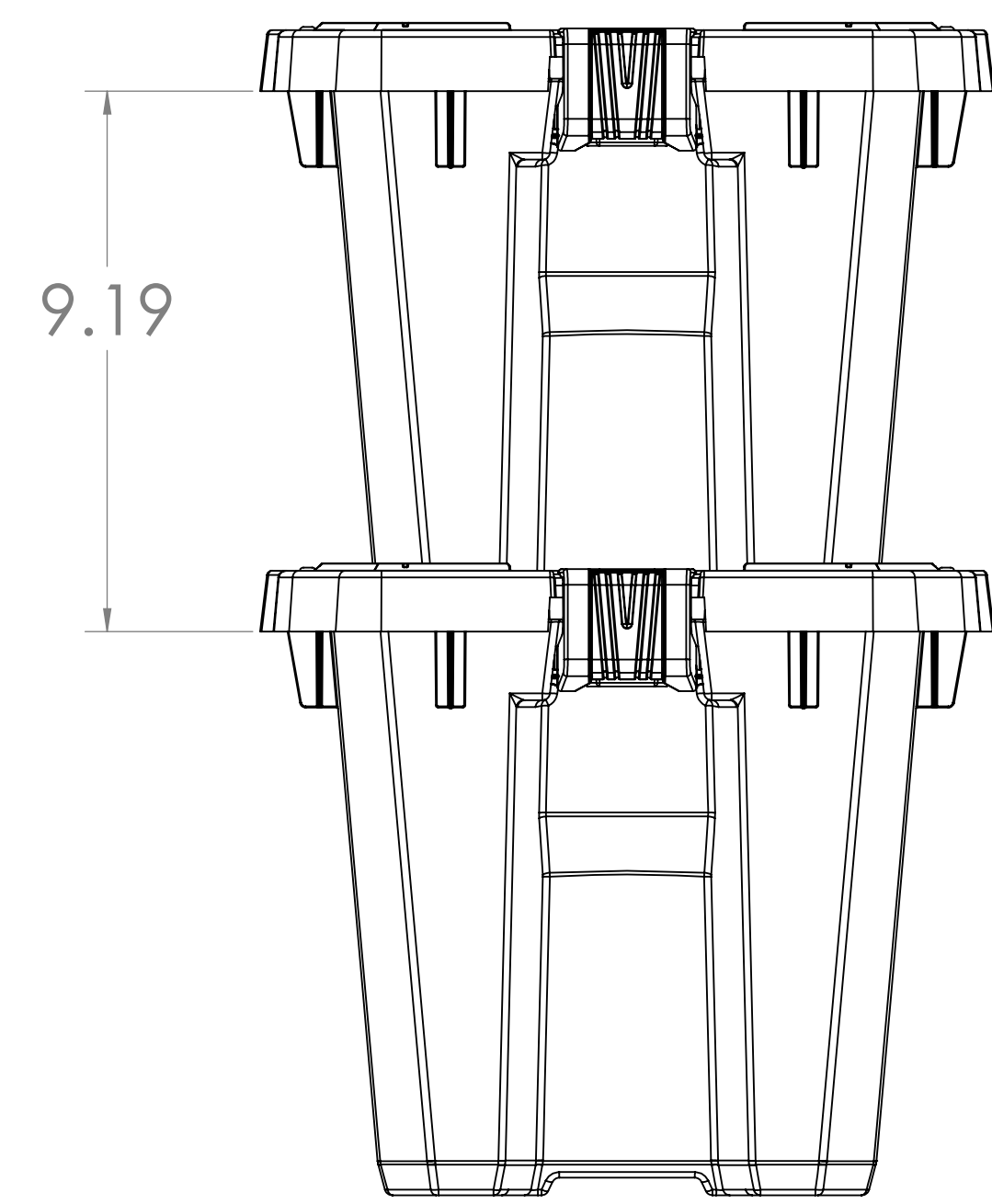
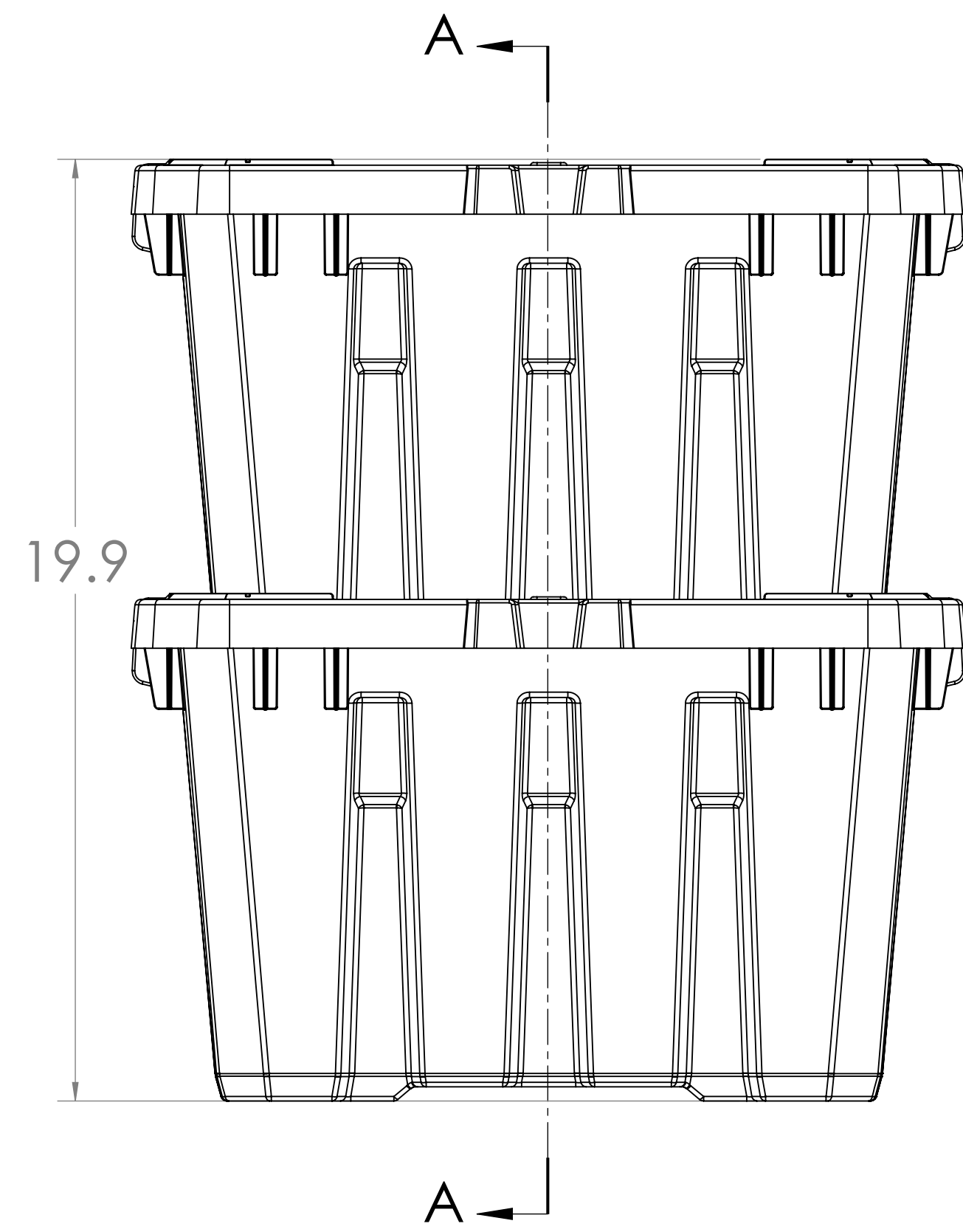
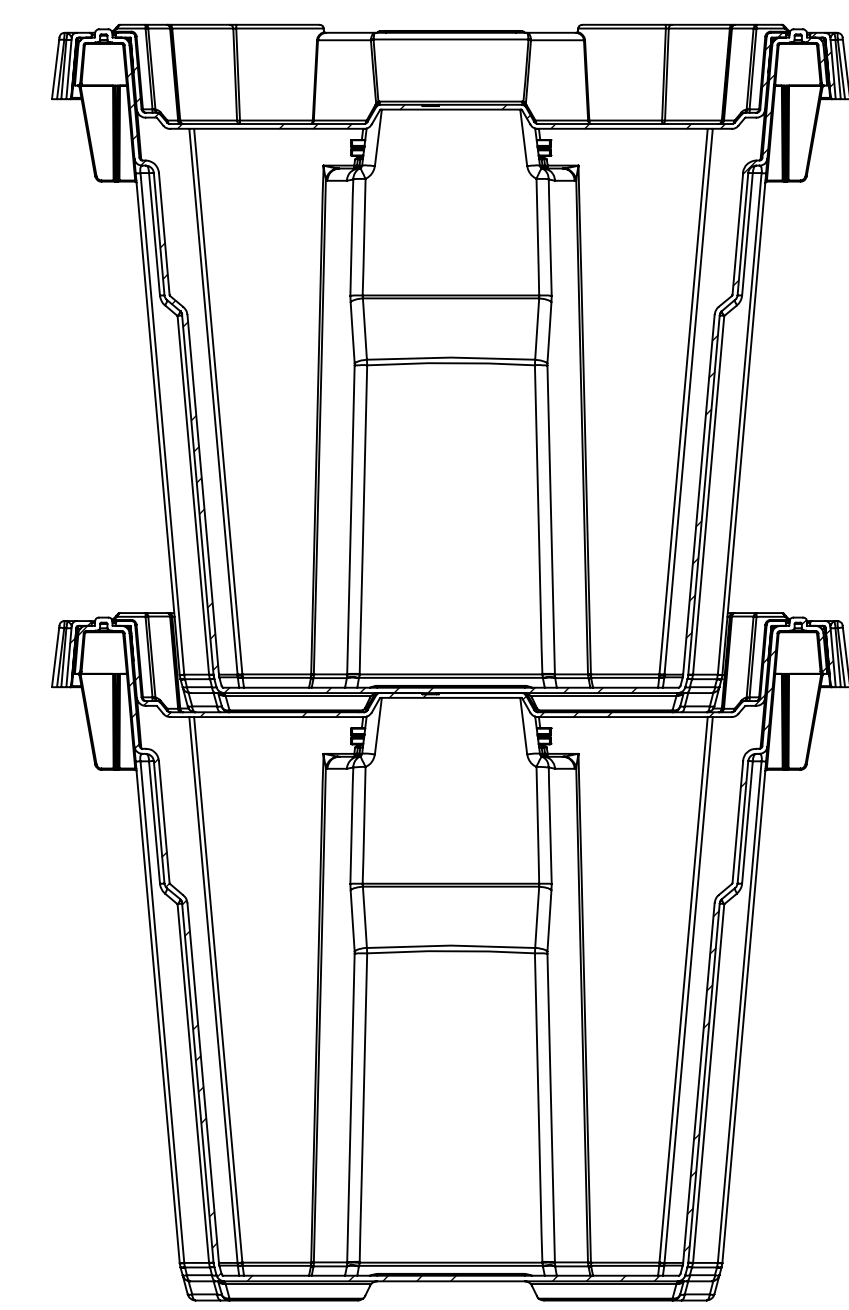
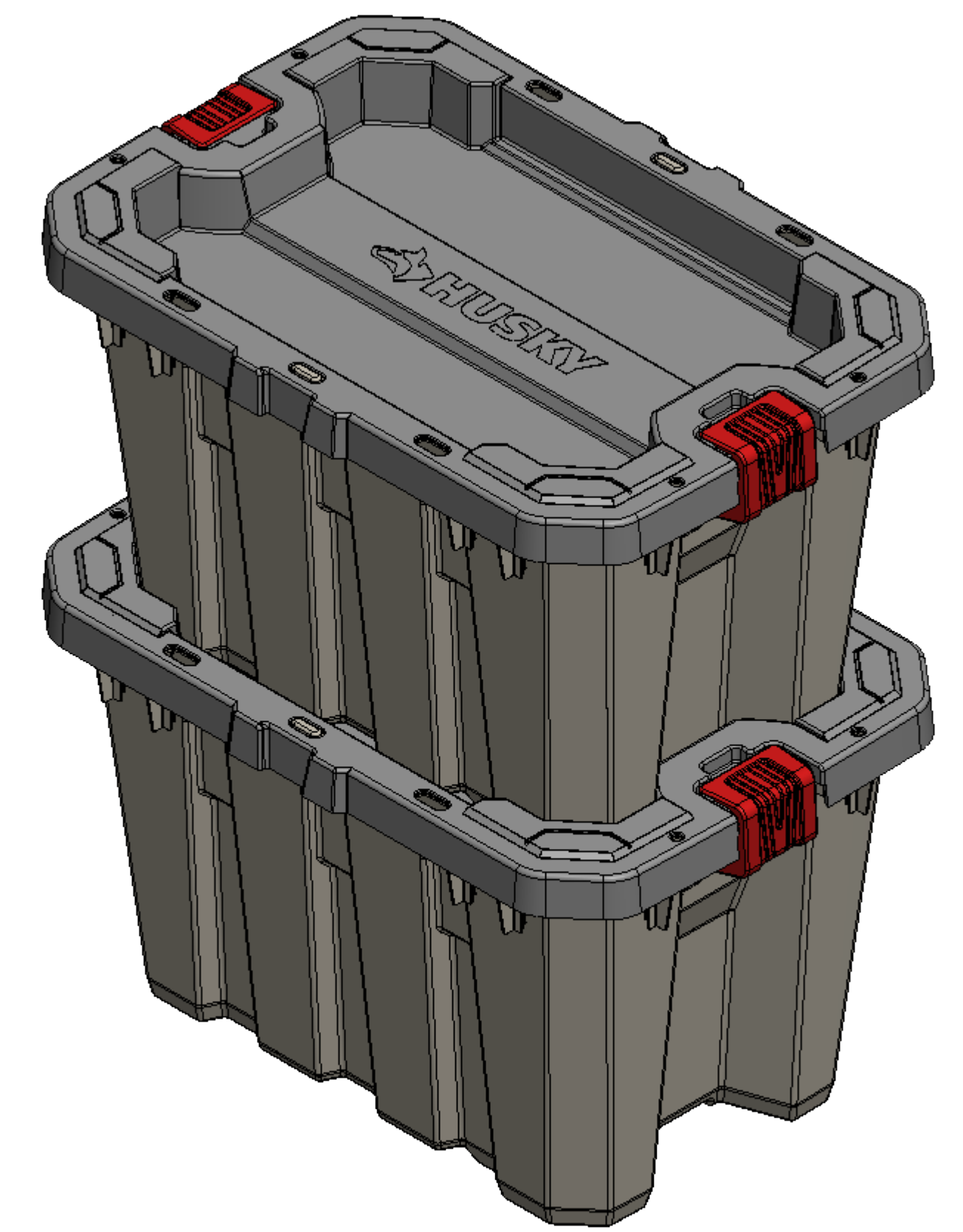
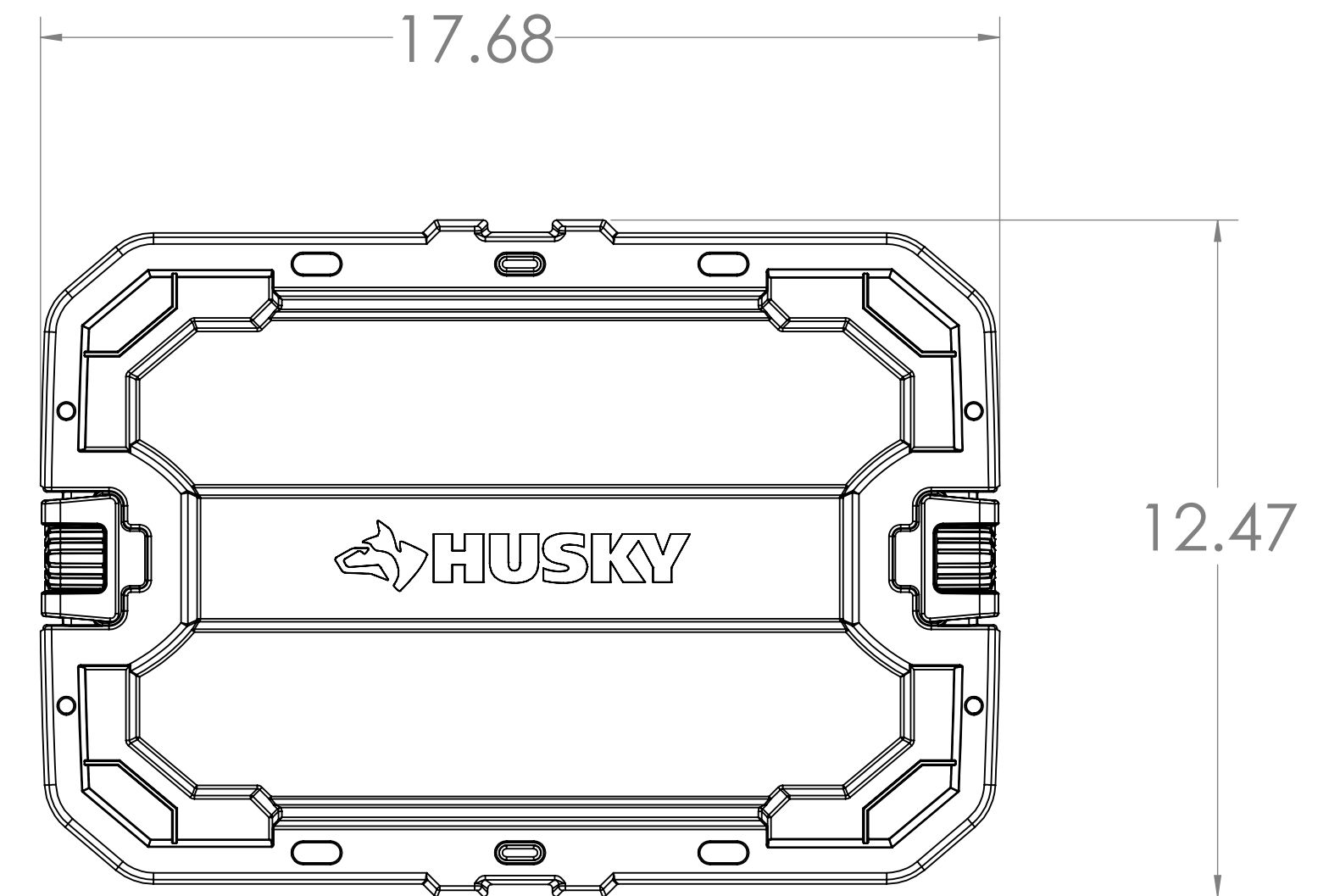
TITLE: 5 Gallon Bin

SIZE DWG. NO. REV
D 7814_5 Gallon Bin_Home Depot
 SCALE: 1:4 WEIGHT: SHEET 1 OF 1

PROPRIETARY AND CONFIDENTIAL
 THE INFORMATION CONTAINED IN THIS DRAWING IS THE SOLE PROPERTY OF CREATIVE PLASTICS CONCEPTS. ANY REPRODUCTION IN PART OR AS A WHOLE WITHOUT THE WRITTEN PERMISSION OF CREATIVE PLASTICS CONCEPTS IS PROHIBITED.

7814_5 Gallon Bin_Home Depot

REVISIONS				
ZONE	REV.	DESCRIPTION	DATE	APPROVED



SECTION A-A
SCALE 1 : 3

ITEM NO.	DESCRIPTION	QTY.
1	5 Gallon Bin	2
2	5 Gallon Lid	2
3	5 Gallon - Latch Handle	4

PROPRIETARY AND CONFIDENTIAL
THE INFORMATION CONTAINED IN THIS DRAWING IS THE SOLE PROPERTY OF CREATIVE PLASTICS CONCEPTS. ANY REPRODUCTION IN PART OR AS A WHOLE WITHOUT THE WRITTEN PERMISSION OF CREATIVE PLASTICS CONCEPTS IS PROHIBITED.

UNLESS OTHERWISE SPECIFIED:	NAME	DATE
DIMENSIONS ARE IN INCHES		
TOLERANCES:	DRAWN	
FRACTIONAL ±	CHECKED	
ANGULAR MATCH ±	ENG APPR.	
TWO PLACE DECIMAL ±	MFG APPR.	
THREE PLACE DECIMAL ±	Q.A.	
INTERPRET GEOMETRIC TOLERANCING PER:	COMMENTS:	
MATERIAL		
FINISH		
APPLICATION		

CREATIVE PLASTIC
C.O.C.P.C.

TITLE:
5 Gallon Bin and Lid Assembly Stacked

SIZE DWG. NO. REV
D 7814_5 Gallon Bin and Lid Stacking Assembly_2 Stacked Assemblies_Home Depot 1

SCALE: 1"=1'-0" WEIGHT: SHEET 1 OF 1

7814_5 Gallon Bin and Lid Stacking Assembly_2 Stacked Assemblies_Home Depot