

# JS750SF

## GE® 30" Slide-In Electric Convection Range

### Dimensions and Installation Information (in inches)

**Receptacle Locations:** Locally approved flexible service cord or conduit must be used because terminals are not accessible after range installation. See shaded area in drawing for location of electrical outlet box. Recommended outlet locations allow range to be installed directly against rear wall.

**Note:** This appliance has been approved for 0" spacing to adjacent surfaces above the cooktop. However, a 6" minimum spacing to surfaces less than 15" above the cooktop and adjacent cabinet is recommended to reduce exposure to steam, grease splatter and heat.

**Installation Information:** Before installing, consult installation instructions for current dimensional data and additional requirements

#### Optional Kits For Slide-In Electric Ranges (Available At Additional Cost)

**Accessory Backguards**  
(Attaches to the back of range as a backguard when unit is installed in 30" free-standing cutout)

JXS32SS (Stainless) - 4" High  
JXS32BB (Black) - 4" High

**Optional Lower Trim Kits**  
(If counter height is greater than 36.5", a lower trim kit is recommended to extend the useful height to 38" maximum)

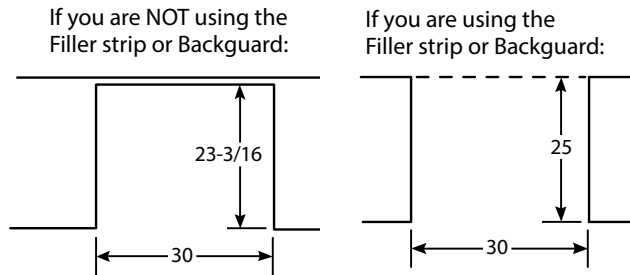
JXS56BB - Black

**Body Sides**  
(Slide-in ranges are sold without sides installed. Can be installed on either left or right when unit has one exposed side [no cabinet adjacent]. Kit contains 1 body side)

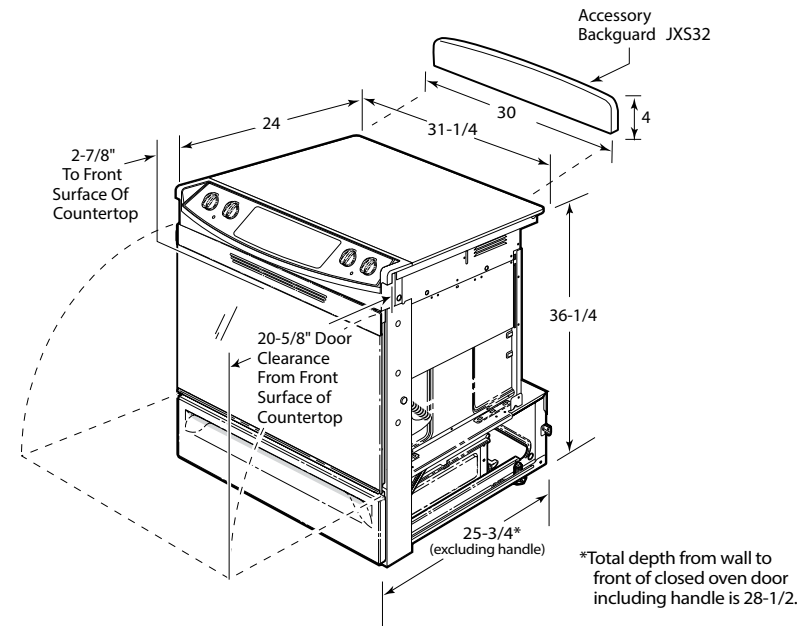
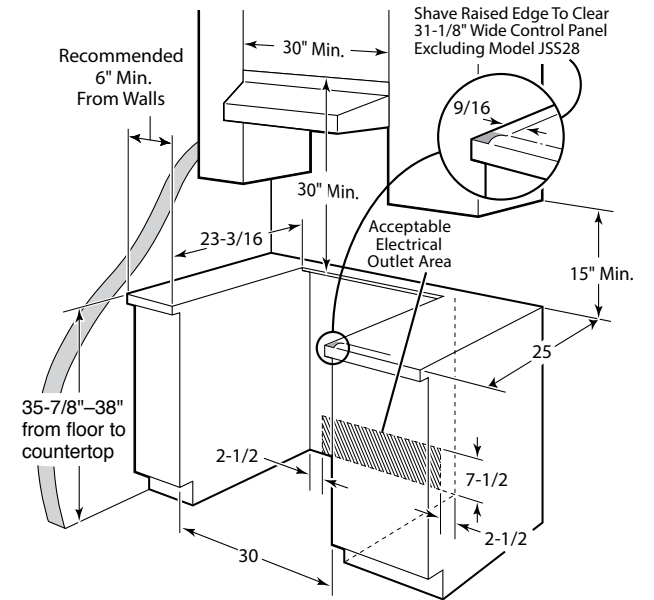
JXS77BB (Black)

**Rear Filler Strip**  
WB07T10680 - Black Filler Strip Assembly

KW Rating	
240V	13.5
208V	10.1
Breaker Size	
240V	40 Amps†
208V	40 Amps†



†Note: Check local codes for required breaker size.



ADA qualified based on Uniform Federal Accessibility Standards



All GE ranges are equipped with an Anti-Tip device. The installation of this device is an important, required step in the installation of the range.



Listed by Underwriters Laboratories



For answers to your Monogram® or GE® appliance questions, visit our website at [geappliances.com](http://geappliances.com) or call GE Answer Center® service, 800.626.2000.

# JS750SF

## GE® 30" Slide-In Electric Convection Range

### Features and Benefits

- True European Convection with Precise Air - Enjoy perfectly even results without turning the pan
- 6"/9"/12" 3600W Power Boil - Pots and pans fit perfectly on the flexible heating element
- Bridge Zone - Cook griddle favorites from the convenience of your range
- Fifth Element Warming Zone - Provides low heat capability for foods
- Self-Clean with Steam Clean Option - Clean your oven the way you want
- Fast Preheat - Make hot meals in a hurry with less time preheating
- Hidden Bake - Make cleanup easy by eliminating hard-to-reach areas
- Black Gloss Oven Interior - Enjoy a clean and sleek appearance
- Model JS750SFSS - Stainless steel



imagination at work