

Pre-Installation

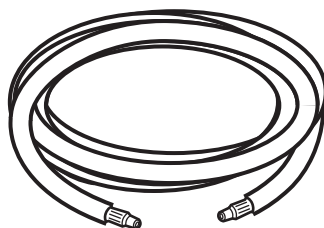
SPECIFICATIONS

Pad Size (in)	Free Speed (RPM)	Weight With Pad (lbs)	Height With Pad (in)	Length With Pad (in)	Air Cons. (CFM)	Maximum Operating Pressure (PSI)
6	10,000	2.3	4.22	10.55	3.0	90

ACCESSORIES REQUIRED

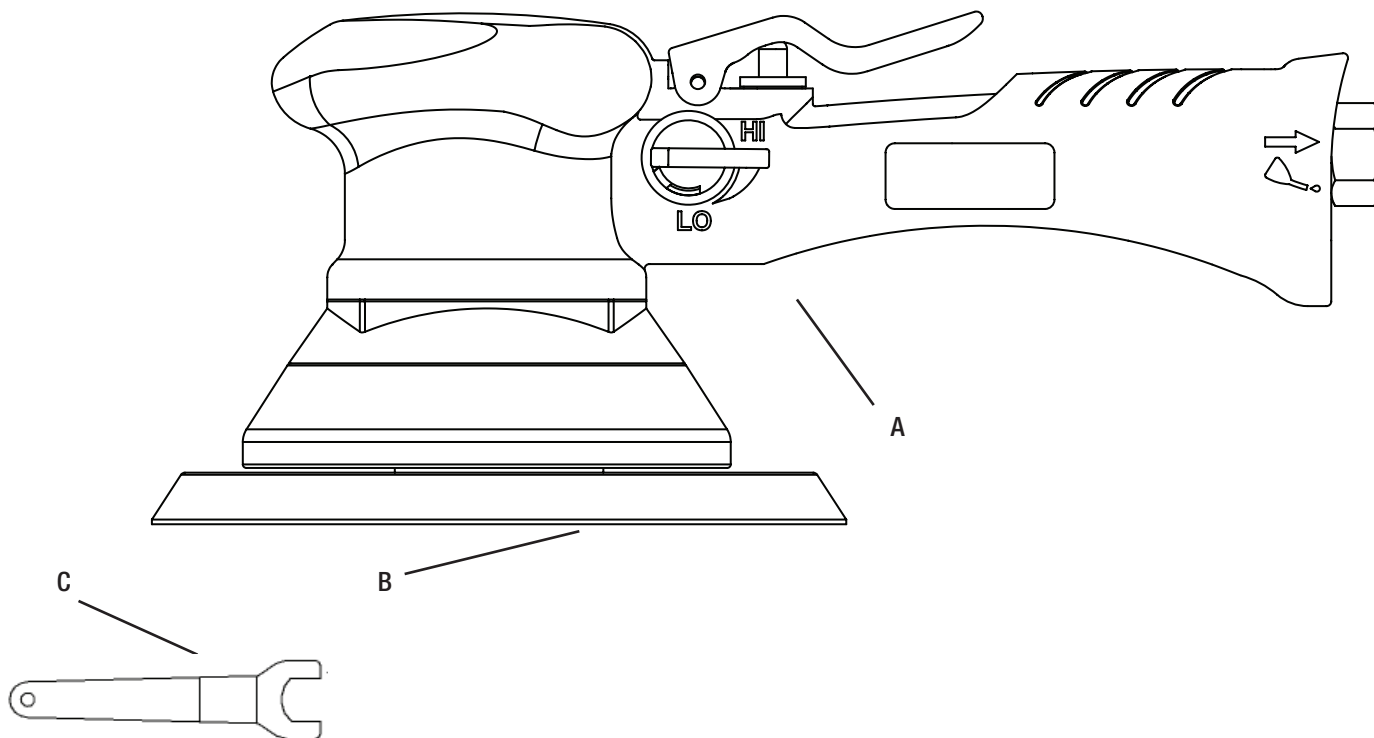


6 in. Diameter Pressure-Sensitive Sanding Disc



3/8 in. Air Hose

PACKAGE CONTENTS



Part	Description	Quantity
A	Dual Action Sander	1
B	6 in. Sanding Pad	1
C	Wrench	1