

# INSTALLATION INSTRUCTIONS

Item#3083-613-L (New. 2017/04/11)

## READ AND SAVE THESE INSTRUCTIONS

**WARNING! SHUT POWER OFF AT FUSE OR CIRCUIT BREAKER.**

**AVERTISSEMENT! COUPER LE COURANT AU NIVEAU DES FUSIBLES OU DU DISJONCTEUR.**

### MOUNTING THE FIXTURE (Fig. 1)

1. Shut off power at the fuse box or circuit breaker. If necessary, remove old fixture including the mounting hardware.
2. Carefully unpack your new fixture and lay out all the parts on a clear area. Take care not to lose any small parts necessary for installation.
3. Attach the circular strap (A) to the outlet box with the two mounting screws (B) (Size: #8-32N\*L0.5"). The side of the circular strap marked "GND" must face out.
4. Thread the studs (C) into the pre-drilled holes of the circular strap (A) spaced the same distance apart as the holes in the back plate of the fixture body (D).

### CONNECTING THE WIRES (Fig. 2)

5. At this point, connect the electrical wires as shown in Fig. 2, making sure that all wire connectors are secured. If your outlet box has a ground wire (green or bare copper), connect the fixture's ground wire to it. Otherwise, connect the fixture's ground wire directly to the circular strap using the green screw provided. After wires are connected, tuck them carefully inside the outlet box.

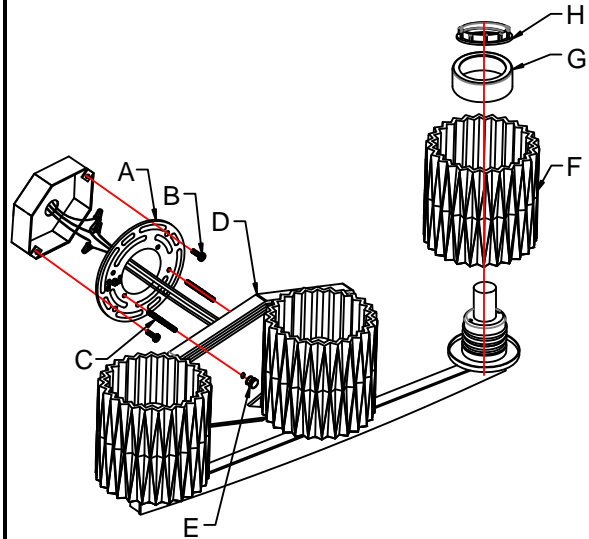
### COMPLETING THE INSTALLATION (Fig. 1)

6. Place fixture body (D) onto studs (C) and secure with cap nuts (E).
7. Place the glass shade (F), metal ring (G) over the socket, and fasten with socket ring (H).

Your installation is now complete. Return power to the outlet box and test the fixture.

**Note: Illustration (Fig. 1) on this manual is for installation purposes only. It may or may not be identical to the fixture purchased.**

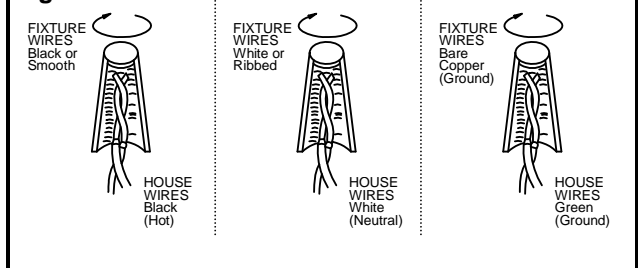
Fig. 1



Set# A-020  
- Circular strap  
- Ground screw  
- Mounting Screw\*2

Socket ring # SKT-RING-26

Fig. 2



LA-2757E