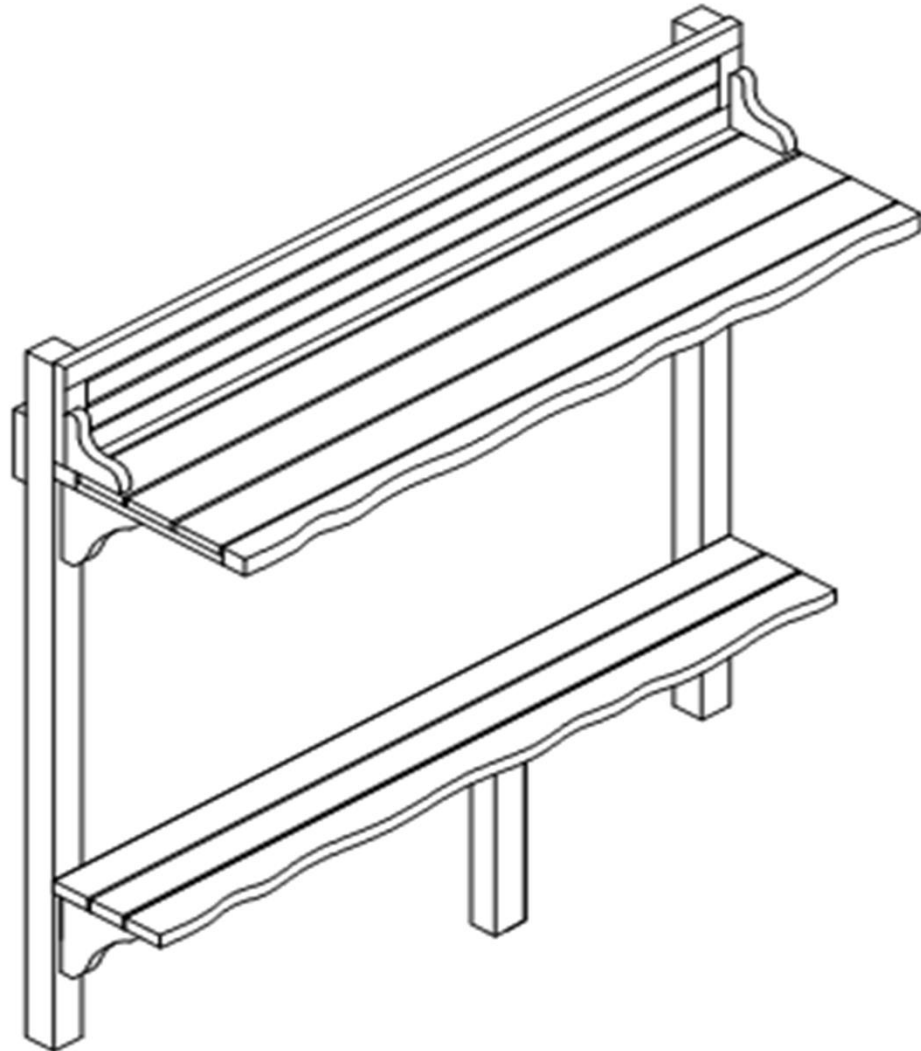


Assembly Instructions

Caution : You must read this before you proceed

TABLE

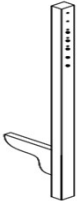
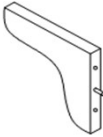
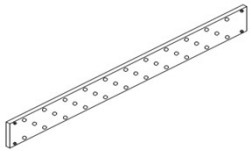

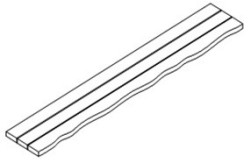
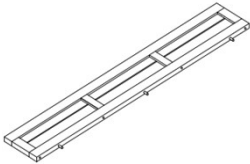
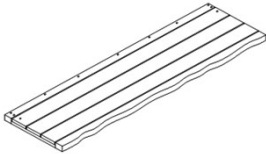



CAUTION : This Table is NOT a TOY.




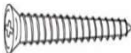







Keep your child / children at bay during the assembly process.

For moving the Table and to prevent damage to the Table, two adults are needed to execute this action.

Parts List

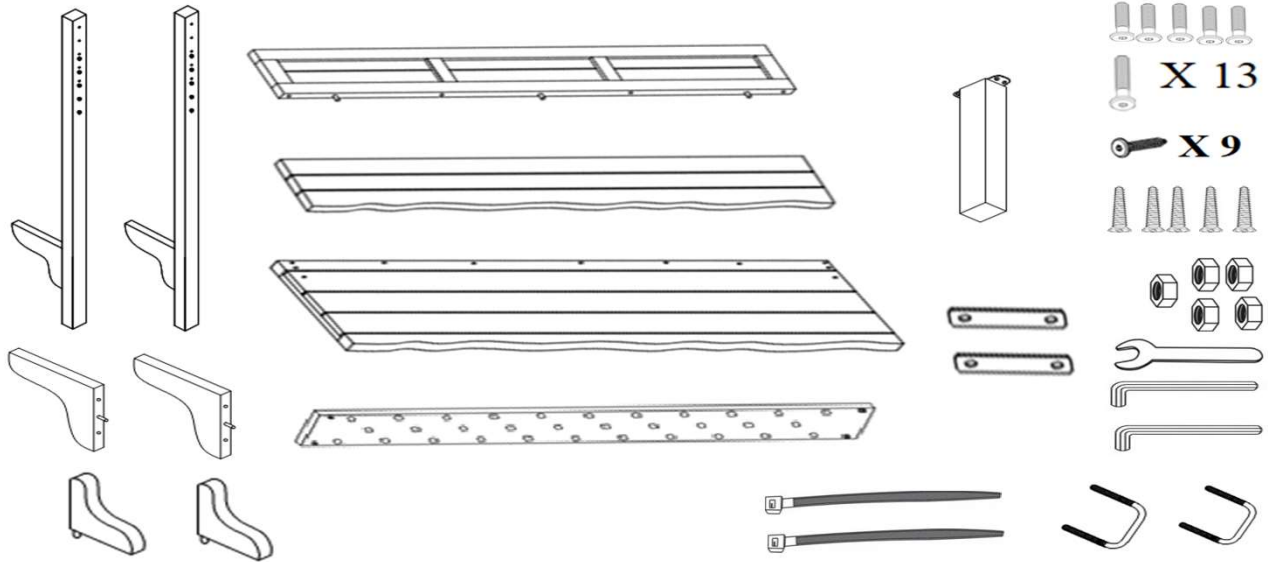
Label	Picture	Description	QTY
A		Long Legs with pre-attached Support Wing.	2
B		Lower Support Wings	2
C		Table Support Bar	1
D		Short leg (for the Footrest Shelf)	1
E		Footrest shelf	1
F		Back panel	1
G		Table top	1
H		Upper Support Wings	2






Hardware

Label	Picture	Description	QTY
①		Short Bolt (M6 x 35mm)	5
②		Long Bolt (M6 x 55mm)	13
③		Long Screw (M6x45)	9
④		Screw (M4 x 20mm) (used with Screw Driver)	5
⑤		Nut Ø6 x 6	5
⑥		Plate for Horseshoe Bolt (125 x 15 x 2)	2
⑦		Horseshoe Bolt Ø6 x (110 + 106 + 110)	2
⑧		Restraint Strap	2
⑨		Allen Key	2
⑩		Spanner	1
⑪		Screw Driver	Not Provided

Assembly Preparation

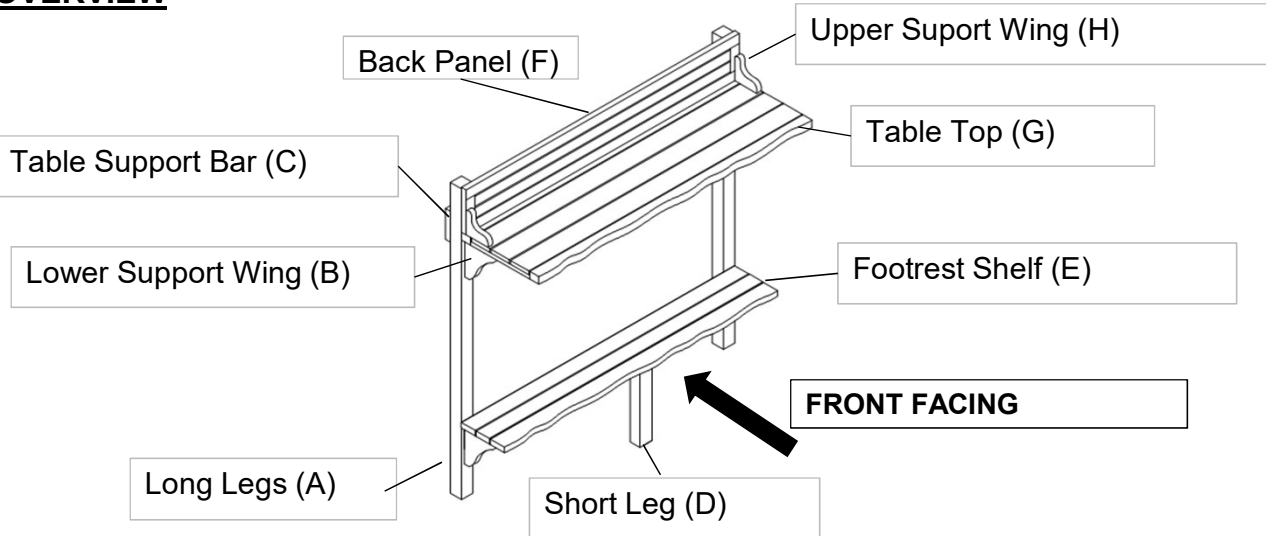
Before Beginning Assembly:



-  • Read instructions, cover to cover-
-  • Have 2 adults on hand for assembly-
-  • Do not assemble on flooring or carpet-
-  • Assemble on a clean non-marring surface (packing foam)-
-  • Save all packaging until finished-

Assembly Steps

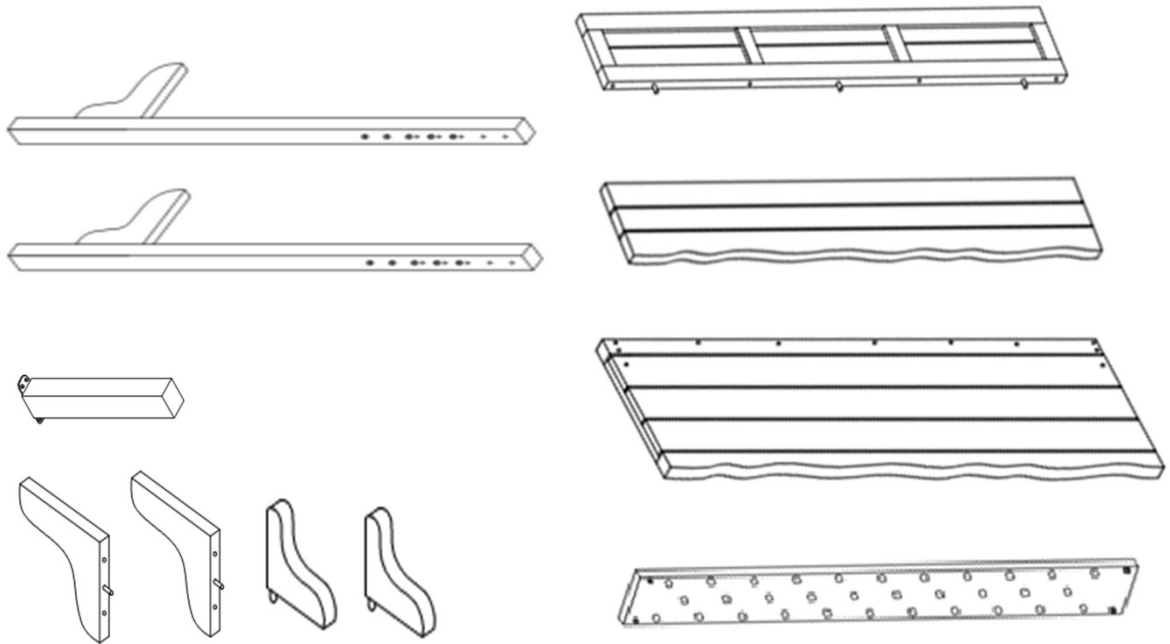
OVERVIEW



This Table has multiple parts and may require up to some 30 minutes to assemble. To give you an overview of the Table, the above picture aims help you put the various parts into perspective. Please read through the instructions here below to familiarise the parts and steps before assembly.

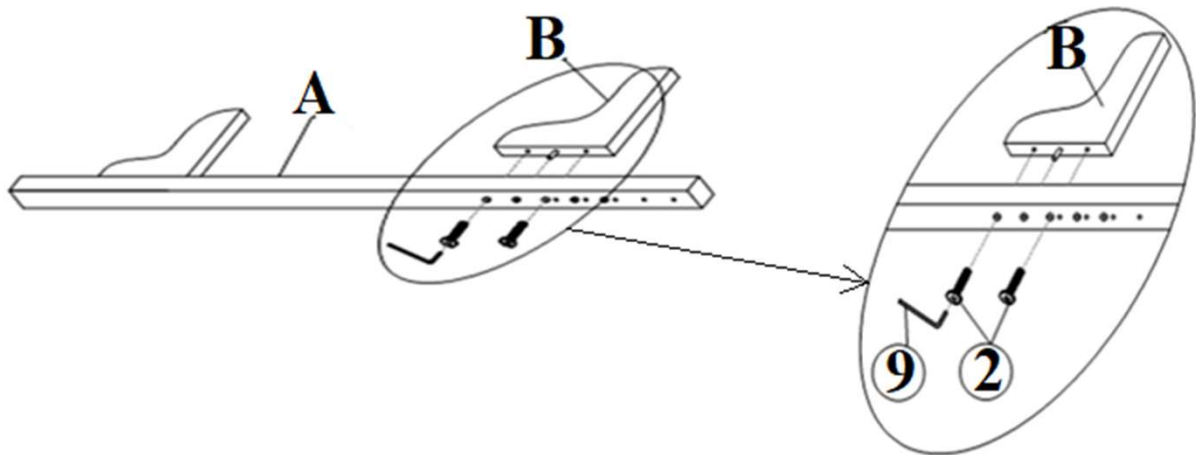
Note : This table may be assembled by 1 to 2 persons.

Step 1



Unpack and place all parts on a clean, non-marring surface.

Step 2



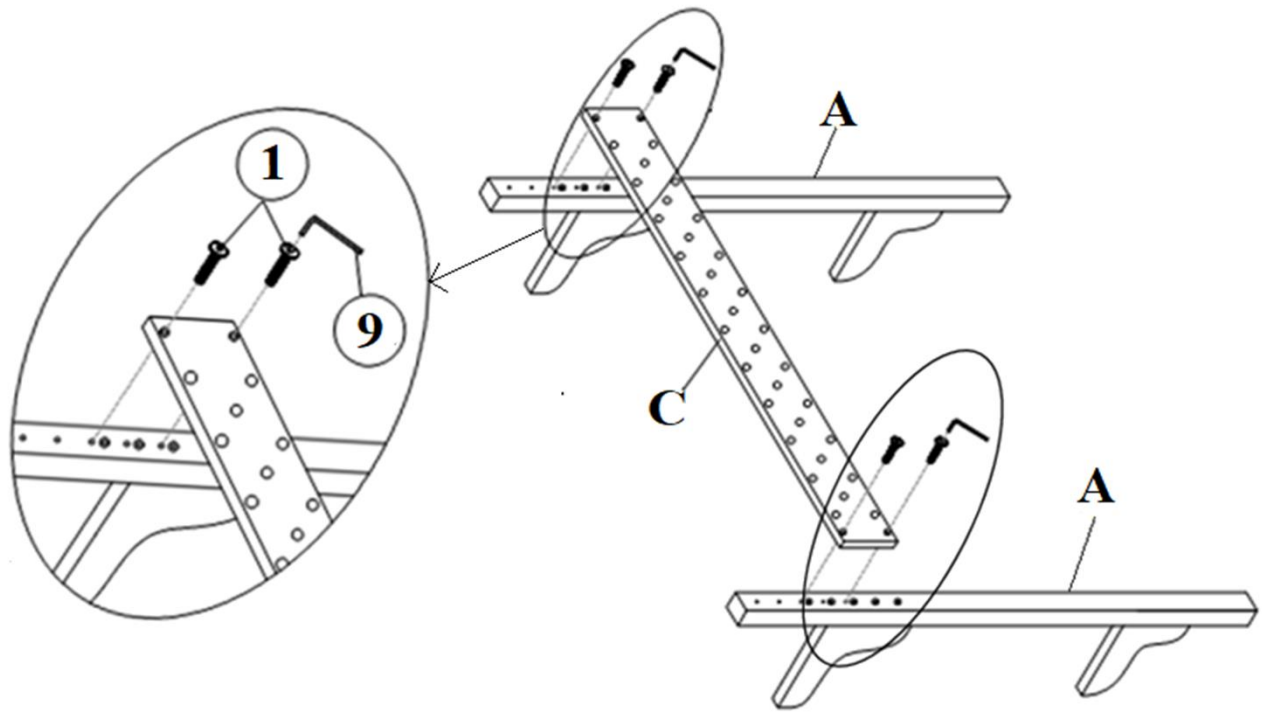
Customer need to check the railing height, matching to table height, before assembly of Lower Support Wing (B).

Attached Long Legs (A) with pre- fixed wooden dowel to the Lower Support Wing (B) using Short Bolt (②) and Allen Key (⑨).

Repeat the same process with the other Long Leg (A)

DO NOT FULLY TIGHTEN THE BOLTS.

Step 3

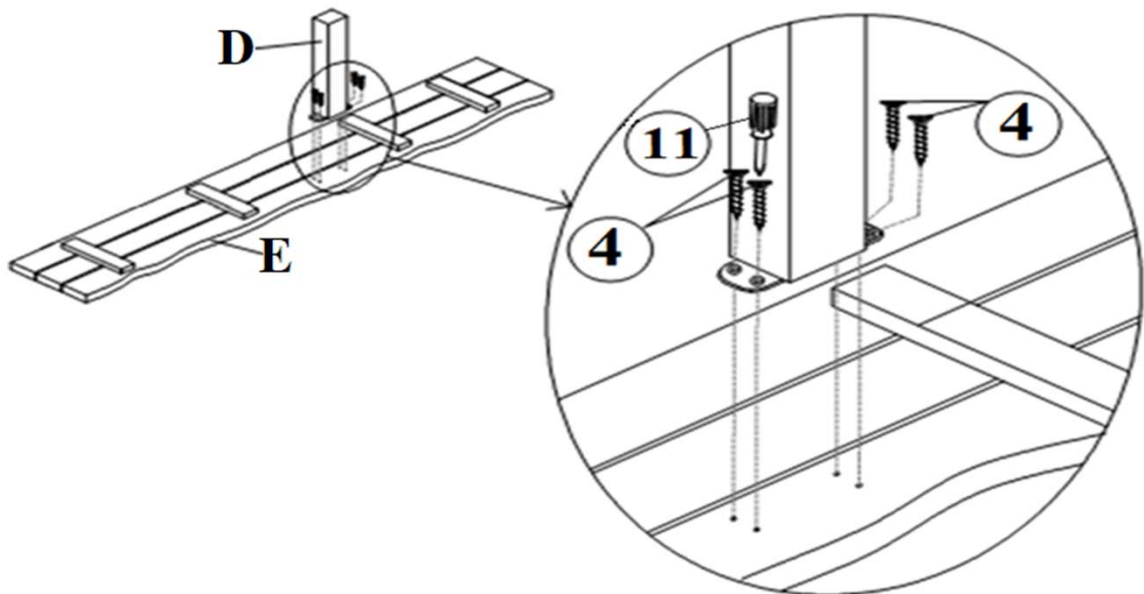


Customer need to check the railing height before assembly the part C.
Attached Table Support Bar (C) with Long Legs (A) using Short Bolt (①) and Allen Key (⑨) as shown in picture.

Upon completion - place aside.

DO NOT FULLY TIGHTEN THE BOLTS.

Step 4

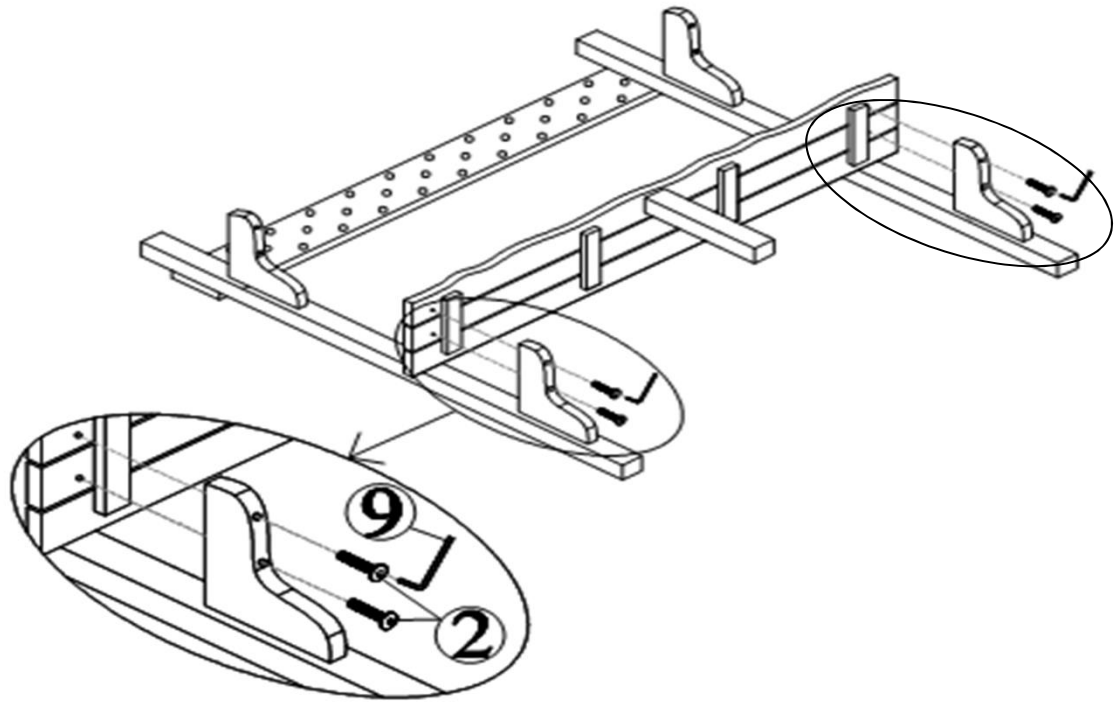


Using Screw Driver (⑪) and Screws (④) to assemble the Short Leg (D) to the Footrest Shelf (E) as shown in picture.

Upon completion of assembly - place aside.

DO NOT FULLY TIGHTEN THE SCREWS

Step 5

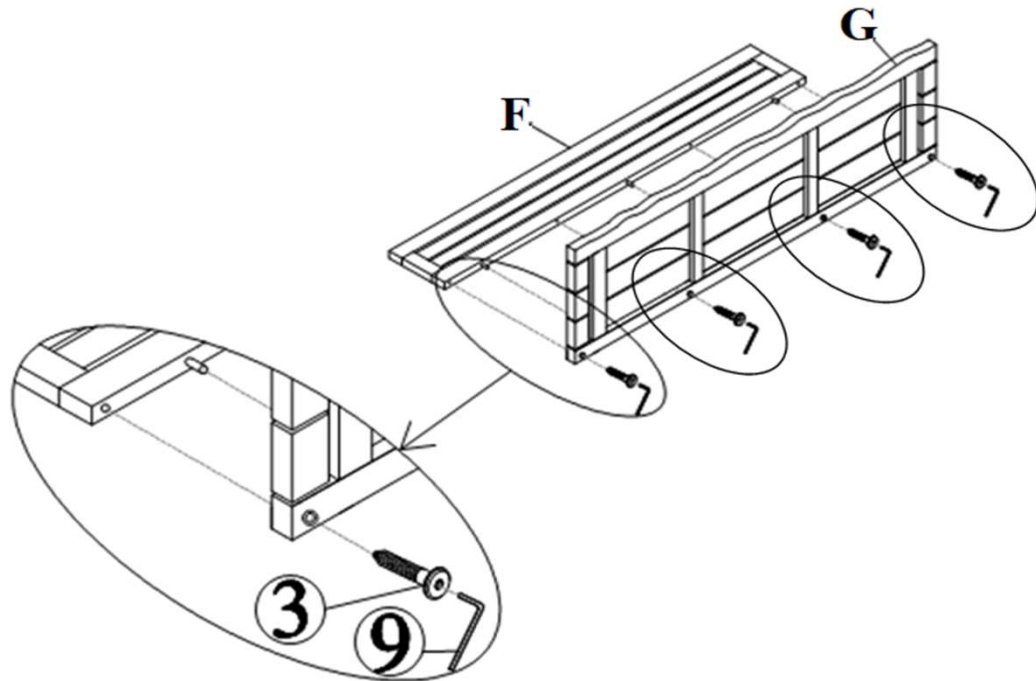


Lay down pre-fixed table in step 3

Assemble pre-fixed table in step 3 and step 4 together by using Long Bolts (②) and Allen Key (⑨) as shown in picture.

DO NOT FULLY TIGHTEN THE BOLTS.

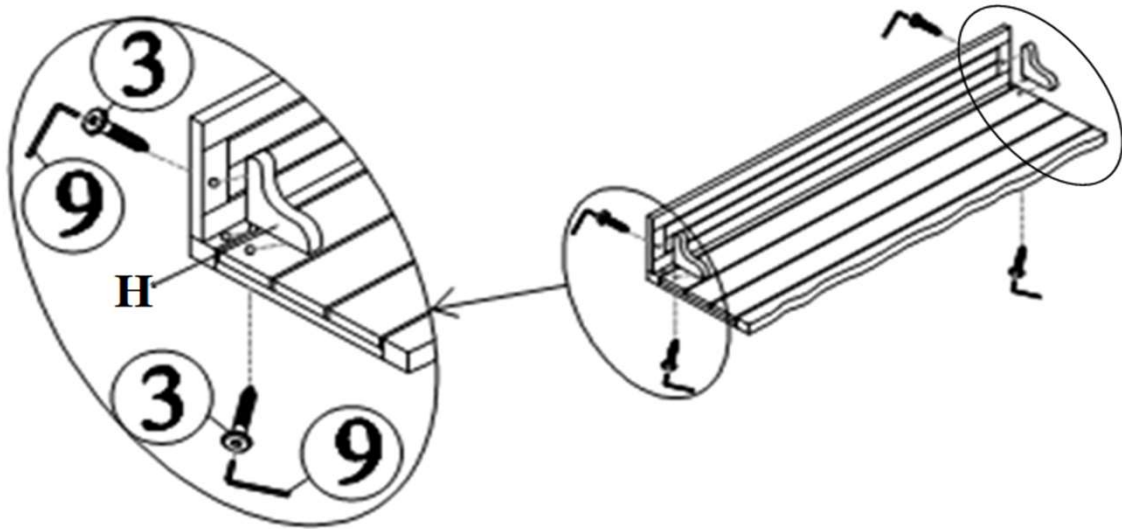
Step 6



Assembly the Table Top (G) to the Back Panel (F) by using Allen Key (⑨) to tighten the Long Screws (③) in.

DO NOT FULLY TIGHTEN THE SCREWS.

Step 7

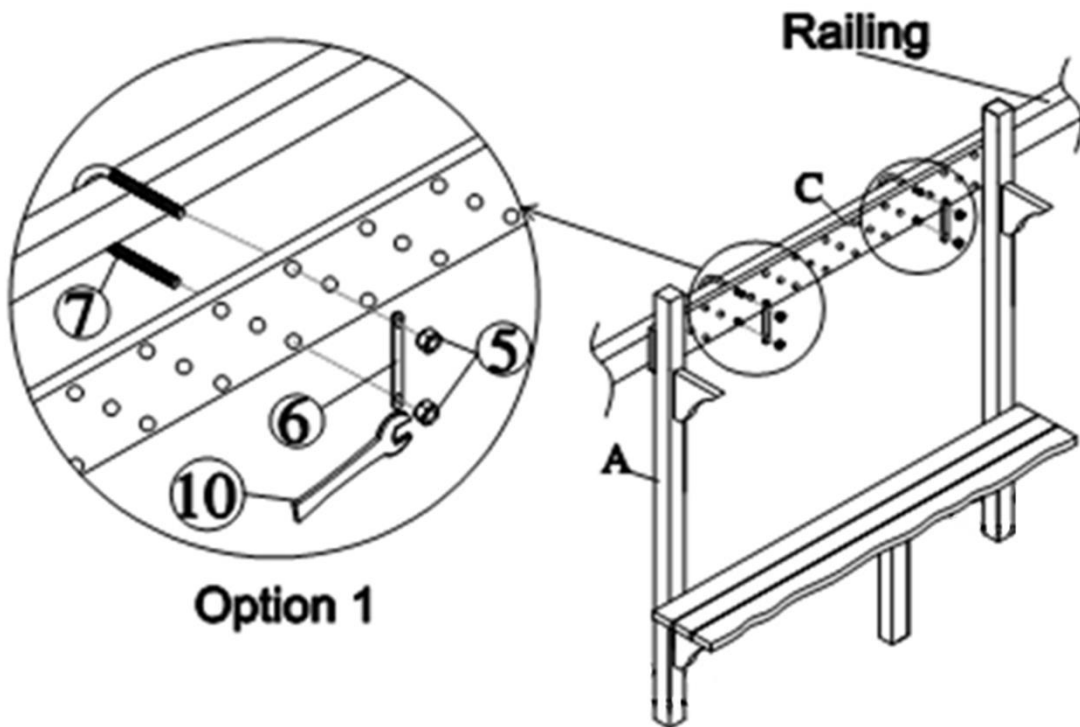


Assembly Upper Support Wings (H) to finish part in Step 6 by using Long Screws (③) and Allen Key (⑨) as shown in picture .

Upon completion - place aside.

DO NOT FULLY TIGHTEN THE SCREWS.

Step 8

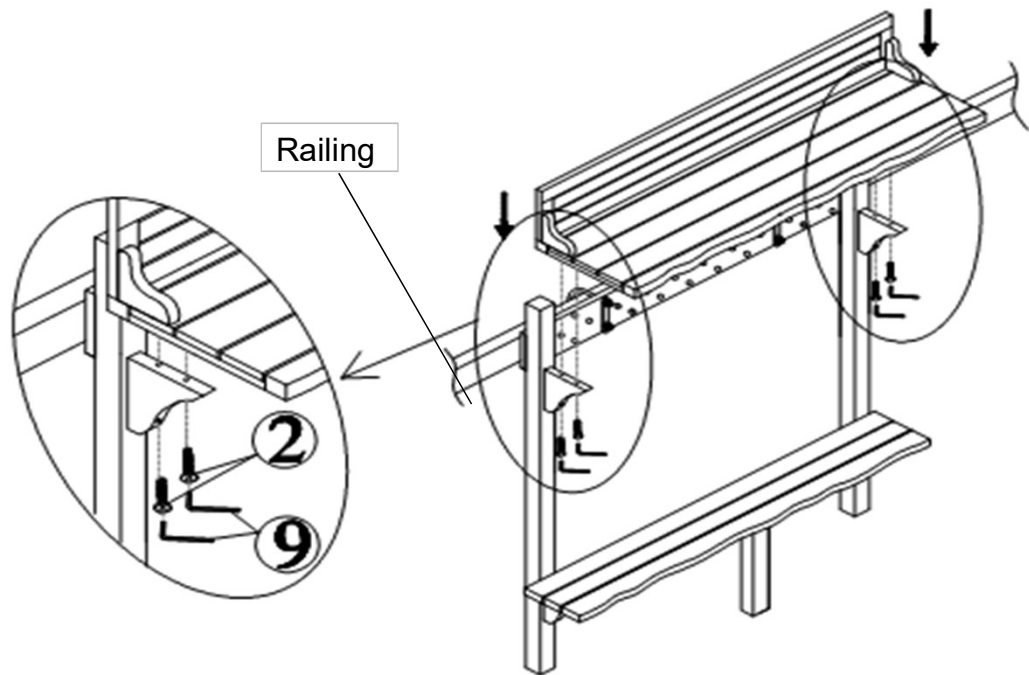


With assistance from your adult partner, stand pre-fixed table in Step 5, right side up. Attach the Table Support Bar (C) to your balcony (railing) by using Horseshoe Bolt (⑦), Plate (⑥), Nut (⑤) and Spanner (⑩) as shown in picture.

Secure the Long Legs (A) to your balcony (railing) by using Restraint Strap (⑧) as shown in picture.

DO NOT FULLY TIGHTEN THE NUTS.

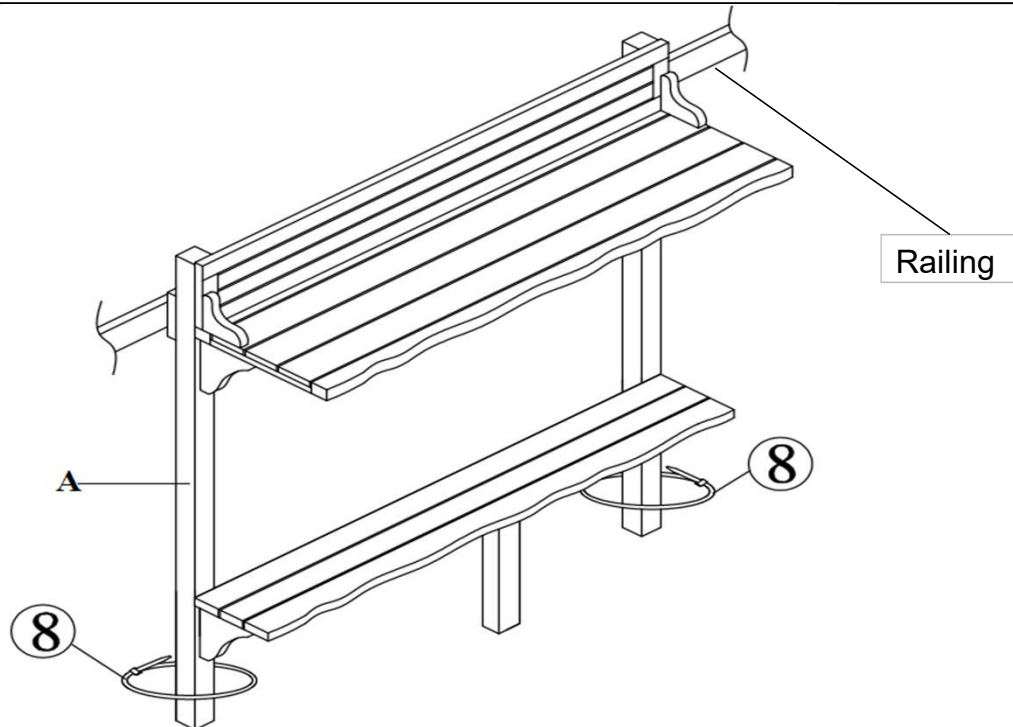
Step 9



Assemble pre-fixed table from Step 7 and Step 8 together by using Long bolts ((2)) and Allen key ((9)) as shown in picture.

DO NOT FULLY TIGHTEN THE BOLTS.

Step 10



Next, place your arms onto the table top and EXERT pressure, floorwards.

This pressure will help all parts reach alignment at all joints.

Check for wobbles.

In a sequential manner, gradually tighten all Bolts/Screws until evenly secured.



















Inspect the Table and make sure all parts are adequately connected.

Secure the Long Legs (A) to your balcony (railing) by using Restraint Strap ((8)) as shown in picture.

This completes the entire assembly process and your table is ready for use.

This Table can only be used on a flat, level surface.

Care & Maintenance

-   ● Do not put hot items directly on furniture surface
 -   ● Do not clean furniture with harsh cleansers or polish.
 -   ● To obtain the longest lifespan of your outdoor products, minimizing exposure to direct sunlight is recommended.
 -   ● Children should not climb or jump on the furniture.
 -   ● Do not write on furniture without a padded barrier to protect the
 -   ● To obtain the longest lifespan of your outdoor products, avoid extended and lengthy exposure to rain, snow, and direct sunshine. Whenever possible cover the product and /or place under patio or awnings.
 -   ● Not for commercial use. For residential use only .
 -   ● Stains may be removed with mild soap solution and damp cloth.
-
-   ● Dust and pick-up spills using a clean, non-colored, lint-free cloth .

Questions & Answers about Proposition 65

• What is Proposition 65?

Proposition 65 requires businesses to provide warnings to Californians about significant exposures to chemicals that cause cancer, birth defects or other reproductive harm. These chemicals can be in the products that Californians purchase, in their homes or workplaces, or that are released into the environment. By requiring that this information be provided, Proposition 65 enables Californians to make informed decisions about their exposures to these chemicals.

Proposition 65 also prohibits California businesses from knowingly discharging significant amounts of listed chemicals into sources of drinking water.

Proposition 65 requires California to publish a list of chemicals known to cause cancer, birth defects or other reproductive harm. This list, which must be updated at least once a year, has grown to include approximately 900 chemicals since it was first published in 1987.

• What types of chemicals are on the Proposition 65 list?

The list contains a wide range of naturally occurring and synthetic chemicals that include additives or ingredients in pesticides, common household products, food, drugs, dyes, or solvents. Listed chemicals may also be used in manufacturing and construction, or they may be byproducts of chemical processes, such as motor vehicle exhaust.

• What does a warning mean?

If a warning is placed on a product label or posted or distributed at a workplace, a business, or in rental housing, the business issuing the warning is aware or believes that it is exposing individuals to one or more listed chemicals.

By law, a warning must be given for listed chemicals unless the exposure is low enough to pose no significant risk of cancer or is significantly below levels observed to cause birth defects or other reproductive harm.

• Where can I get more information on Proposition 65?

If you have specific questions on the administration or implementation of Proposition 65, you can contact OEHHA's Proposition 65 program at P65.Questions@oehha.ca.gov, or by phone at (916) 445-6900.