



**NATURES COMPOSITES™**  
fence. deck. landscape.

## Santa Fe & Mesa Fence Installation Instructions

### BEFORE YOU BEGIN:

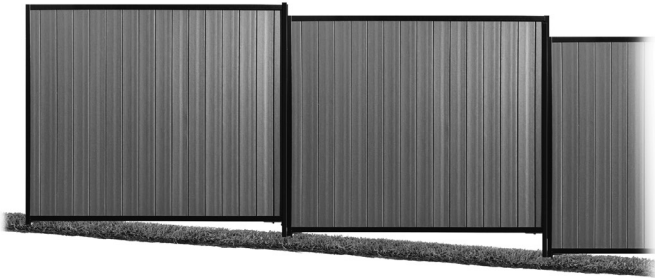
- Verify location of underground utilities *before* you dig! Your local building department, utility company or a utility location service may be able to aid you with this.
- Locate property lines.
- Review local and regional building codes, regulations and zoning laws which may affect your fence.
- Obtain all necessary permits as required by local building codes.

### TOOLS REQUIRED:

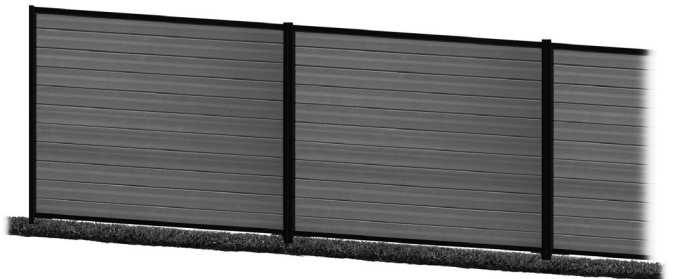
- |                           |                                 |
|---------------------------|---------------------------------|
| Stakes                    | Level                           |
| String Line               | Wheel Barrow                    |
| Tape Measure              | Miter Saw                       |
| Spray Paint               | 9/16" End Wrench or Socket      |
| Post Hole Digger & Shovel | Drill with 3/16" nut driver bit |

- The Santa Fe and Mesa Fence's versatile modular design allows for a multitude of configurations suitable for flat, sloping and uneven terrain.

### Step Configuration



### Sloping Configuration



### Variable Height Configuration



Mesa Fence

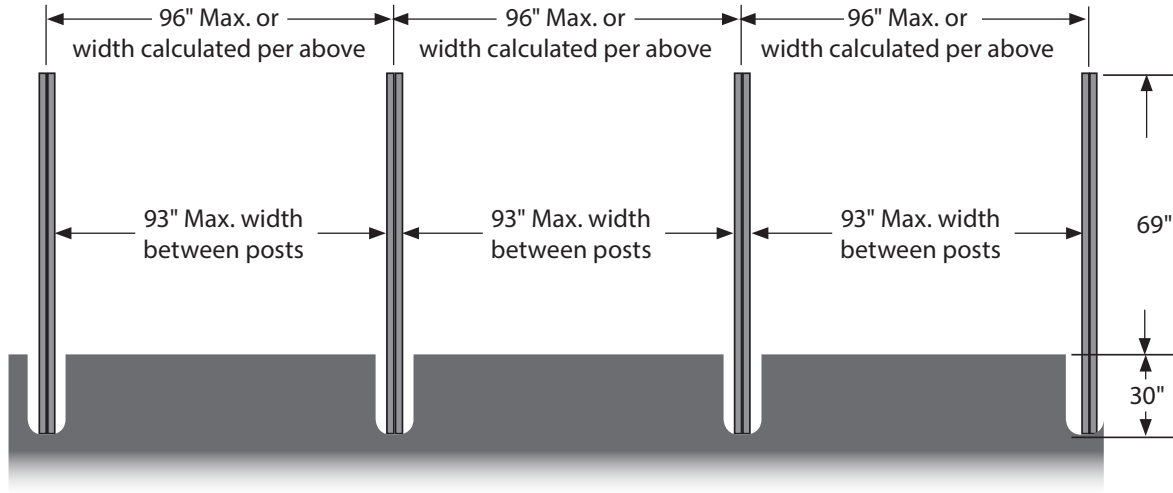


Santa Fe Fence

**LAY OUT FENCE LOCATION:**

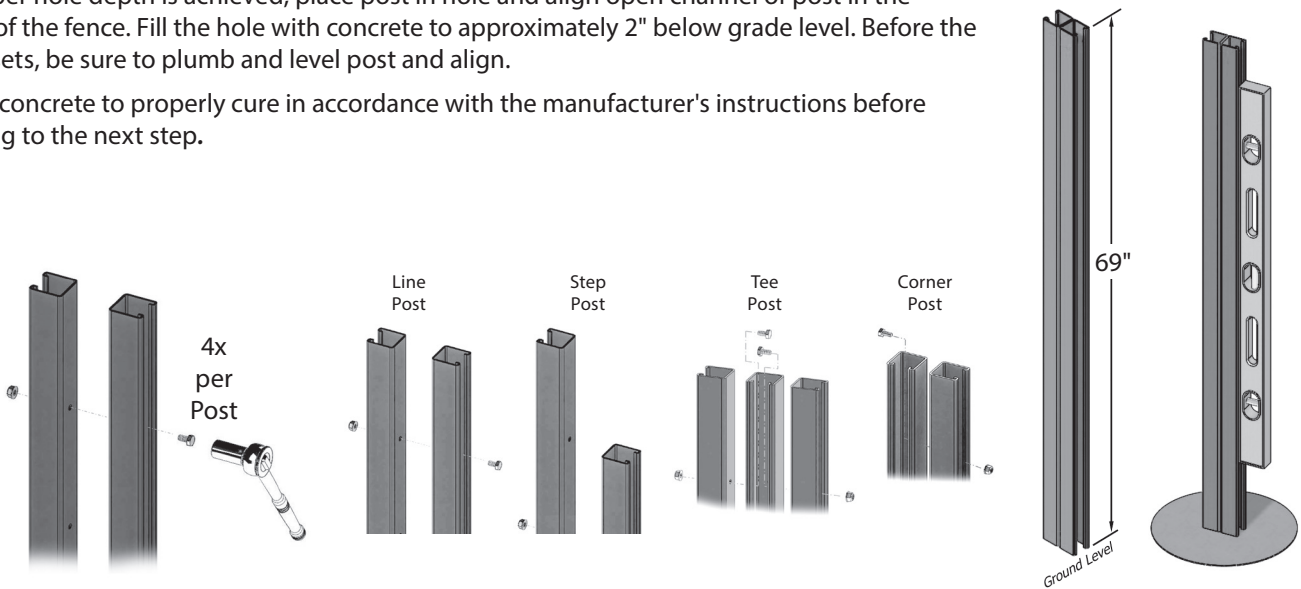
1. Use stake and string line to mark the location of the fence. It is recommended that you located the fence 3" to 5" inside of property line to prevent encroachment onto your neighbor's property.
2. Locate the location of gates and mark post hole locations for the gate posts accordingly.
3. Mark the locations of corners and ends of fence.
4. Mark locations of intermediate fence posts between ends, corners and gate posts. Posts should be located no wider than 96" (eight feet) from center of post to center of post.

*When laying out post locations you may end up with a non-uniform section at the end. To prevent this and create a uniform fence, you should space all panel sections at equal lengths. To do this, measure the total length of that line of fence in feet, divide this measurement by eight, and round up. This number will give the number of equal sections. Then divide the total length of that line of fence by the equal section number just calculated. The result will be the width of your post spacing.*



**POST INSTALLATION:**

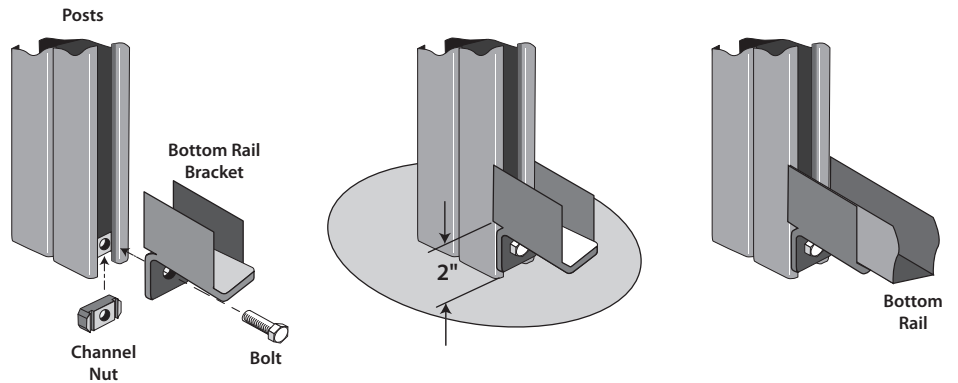
1. Dig 12" diameter holes 30" deep in all post hole locations marked earlier.
2. Each eight-foot panel of Santa Fe Fence requires a post at each end. The posts for each adjacent panel must be bolted together before the fence is assembled. Mate each adjacent post to each other, making certain to adjust for step, sloping or variable height configurations. Corner posts must be bolted at right angles to each other. T-Posts, where two sections of fence come together, require three posts, with the center post bolted at right angles to the outside posts. Fasten each pair of posts together using the provided 1/2" long bolts and nuts, using four bolts, equally spaced along the length of the posts.
3. Verify proper hole depth by placing post in hole and making sure the post extends 69" above ground level. It may be necessary to add or remove additional dirt from the hole to obtain the proper height.
4. Once proper hole depth is achieved, place post in hole and align open channel of post in the direction of the fence. Fill the hole with concrete to approximately 2" below grade level. Before the concrete sets, be sure to plumb and level post and align.
5. Allow the concrete to properly cure in accordance with the manufacturer's instructions before proceeding to the next step.



## INSTALL BOTTOM RAIL BRACKETS AND BOTTOM RAIL:

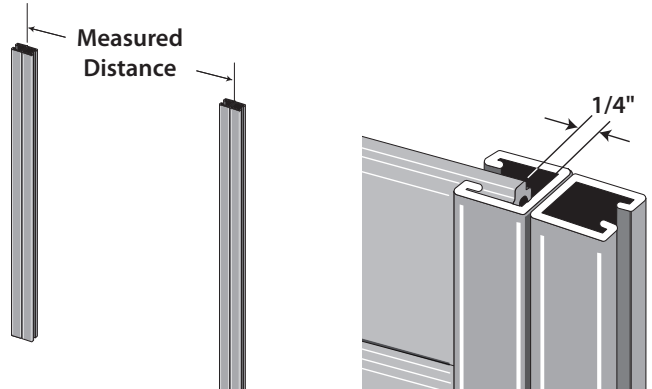
Insert Bottom Rail Bracket into the bottom of each post as shown. Align the Bottom Rail Bracket so that the top of the bracket is parallel to and 2" above the ground. Tighten the bolt and nut using a 9/16" wrench. Position the Bottom Rail onto the brackets.

If your installation requires spacing shorter than 96" (eight feet) you will need to use a chop saw to cut the Top Rail and Bottom Rail to fit between the posts.



## FENCE BOARD INSTALLATION:

1. Fence boards come pre-cut to the maximum post spacing size. However, if your installation requires post spacing shorter than 96" (eight feet) you will need to cut the fence boards to the correct length. Measure the distance between the insides of the U-Channel of the two posts you are installing the section of fence boards into. Cut the fence boards to 1/2" shorter than the distance you just measured in order to maintain a 1/4" gap between each end of the fence board and the inside of each post.

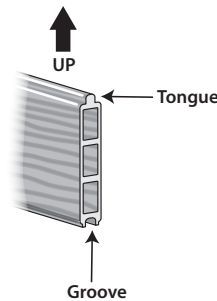


2. Install Santa Fe Fence Boards with the tongue of the fence board facing up and the groove in the fence board facing down. hold the fence board at an angle and insert one end into the channel of a post. Then rotate the other end of the fence board down until it slides into the channel of the other post. Push the first fence board down until it comes to rest in the Bottom Rail.

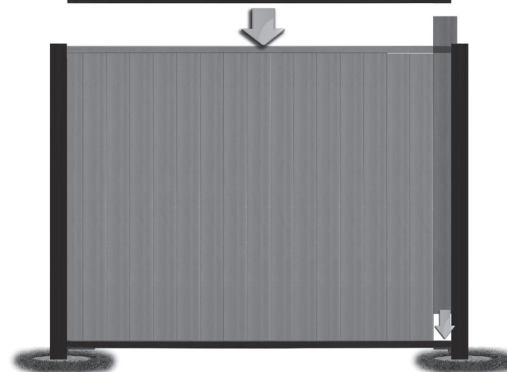
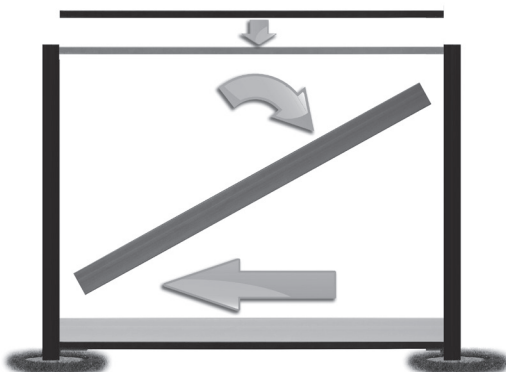
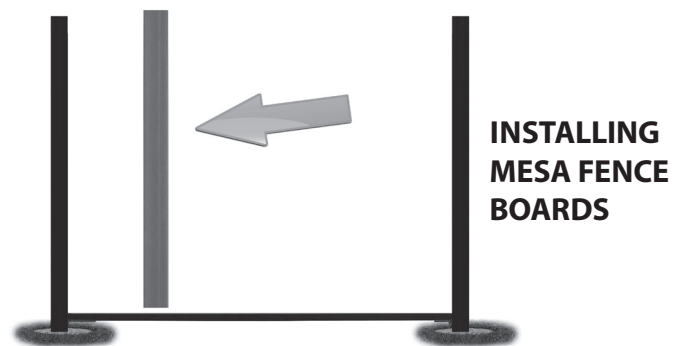
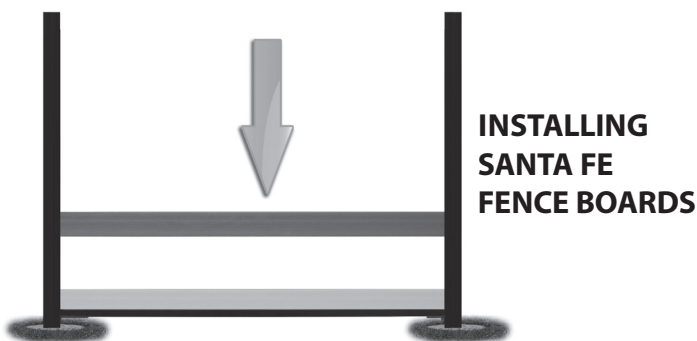
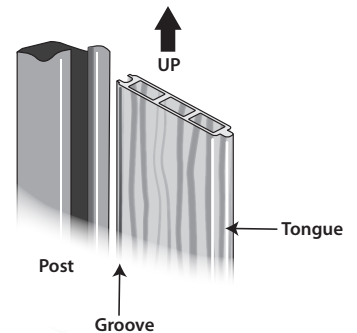
Install Mesa Fence Boards with the groove of the first board inside the post, and the tongue facing outwards.

3. Install the remaining fence boards, pressing each groove onto the previous board's tongue. **DO NOT USE A HAMMER TO FORCE THE FENCE BOARDS INTO POSITION, AS IT MAY DAMAGE THE COMPOSITE FENCE BOARDS!**

Santa Fe Fence Boards

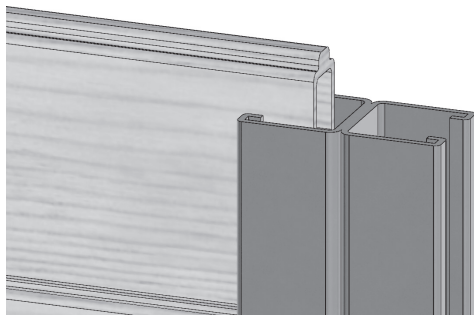


Mesa Fence Boards

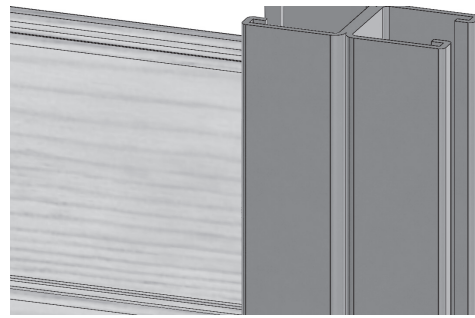


4. On **Santa Fe Fences**, the last fence board may extend above the top of the post, or end too far below the top of the post. If this happens, simply adjust the Bottom Rail Brackets to achieve the correct alignment before installing the Top Rail.

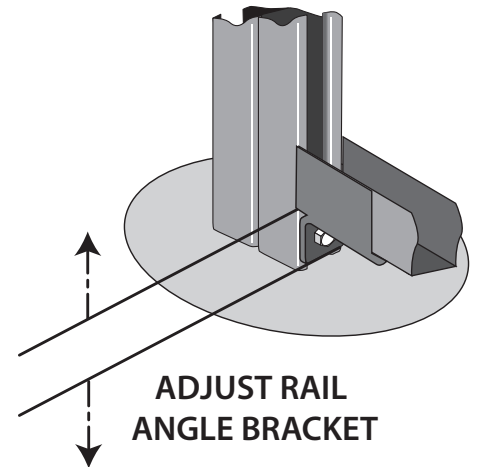
On **Mesa Fences**, all the fence boards may extend above the top of the post, or end too far below the top of the post. If this happens, adjust the Bottom Rail Brackets to achieve the correct alignment before installing the Top Rail.



TOO HIGH

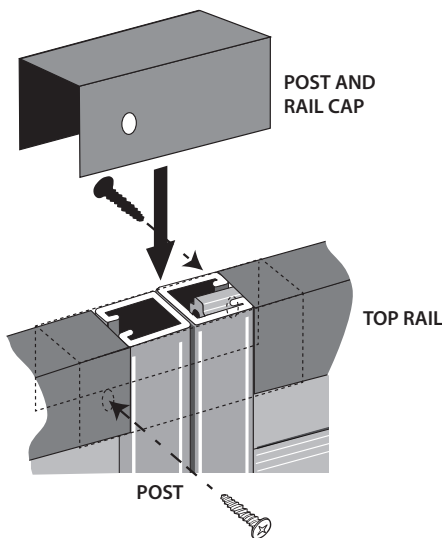


TOO LOW



ADJUST RAIL  
ANGLE BRACKET

5. Install the Top Rail between the posts. No fasteners are necessary because the Top Rail will be secured by the Post and Rail Caps.



#### POST AND RAIL CAP INSTALLATION:

Complete construction of the fence panel by installing the Post and Rail Cap. The Post and Rail Cap fits over the top of the post and extends over the Top Rail. Position the Post and Rail Cap by centering on post so that the cap extends onto the top rail equally on both sides of the post. Fasten the cap with self-tapping screws by positioning in the predrilled holes in the Post and Rail Cap and driving the screw into the Top Rail.

#### GATES:

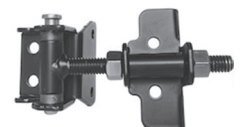
Santa Fe Gates and Mesa Gates are available pre-assembled for ease of installation.



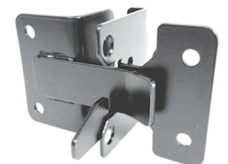
SANTA FE GATE



MESA GATE



ADJUSTABLE  
GATE HINGE



GATE LATCH



Patent Pending.

Natures Composites' products are manufactured in the U.S.A. and are distributed through retail and wholesale channels throughout United States, Canada, Mexico, and Europe. Learn more about Natures Composites and our product lines by visiting [www.naturescomposites.com](http://www.naturescomposites.com) today.

1302 Industrial Park Avenue

Torrington, WY 82240

307-532-9942 Tel

307-532-9943 Fax

877-810-4029 Toll Free

[www.naturescomposites.com](http://www.naturescomposites.com)