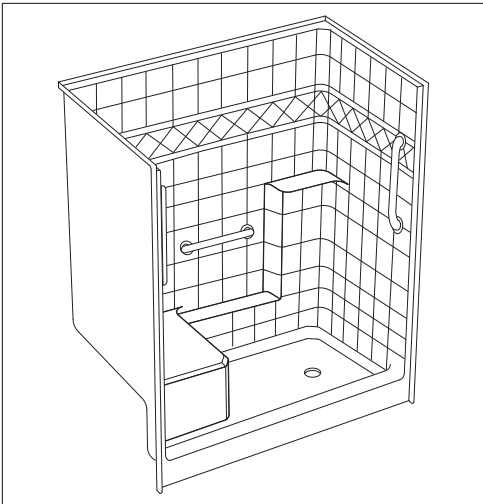




ELLA'S ONE PIECE SHOWERS with Glass Door

New Construction One-Piece Showers



Specification Manual

60" x 33" x 77"

Low Threshold Shower Stall & Kit

Classic Package with Stainless Steel Grab Bars

For more product information visit ellasbubbles.com
or call Ella's Bubbles toll free at 1-800-480-6850

Ella's One Piece Showers

60" x 33" x 77" New Construction One-Piece Shower

Standard Package

HANDED BY SEAT



Right-Hand Seat Shown



Shipping Container



Fiberglass Reinforced Walls

Representing Model Numbers

- 6032SHLWHTPKGSC
- 6032SHRWHTPKGSC
- 6032SHLWHTPKGSN
- 6032SHRWHTPKGSN

Technical Information: Shower Stall

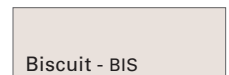
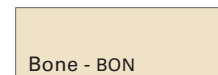
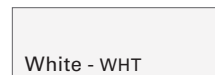
Material: Fiberglass reinforced, armorcore backing, applied acrylic finish surface
Overall Dimensions: 60 in. x 33 in. x 77 in.
Net Weight: 155 lbs.
Drain Location: Left or Right
Threshold Height: 4 in.
Shipping Dimensions: 67 in. x 43 in. x 84 in."
Shipping Weight: 295 lbs.

Technical Information: Shower Door

Material: Aluminum Frame in either Chrome or Brushed Nickel Finish with Clear Glass Door
Overall Dimensions: 55.25 in. x 70 in.
Net Weight: 100 lbs.
Drain Location: Center
Threshold Height: 4 in.
Shipping Dimensions: 86 in. x 36 in. x 10 in."
Shipping Weight: 150 lbs.

Available Colors

* Color tiles intended for reference only.



Available Packages

Standard, Standard-SA, Classic, Classic-SA, Ultimate, Ultimate-SA, Ultimate-W, Ultimate-WSA, Imperial, Imperial-SA, Imperial-SAFS

Warranty

- Ella's Shower Stall: Limited Lifetime warranty on all products with Acrylx finish

* For more information please visit ellasbubbles.com

Codes

This unit shall meet UPC, CSA B45.5, IAPMOZ124-11, Home Innovation Research Lab, and shall meet the requirements of the Southern Building Code.



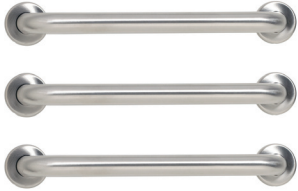
MANUFACTURED AND ASSEMBLED IN
THE UNITED STATES OF AMERICA

Ella's One Piece Showers

60" x 33" x 77" New Construction One-Piece Shower"

Classic Package with Stainless Steel Grab Bars

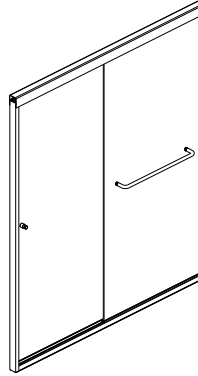
PACKAGE ACCESSORIES



18" Straight Stainless Steel
Grab Bars (3)



Chrome Strainer Brass Drain
with Friction Seal – 2 in.



Sliding Glass Door

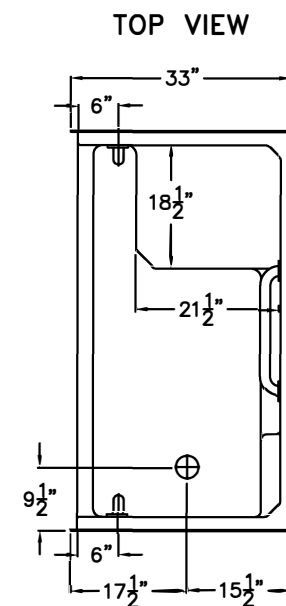
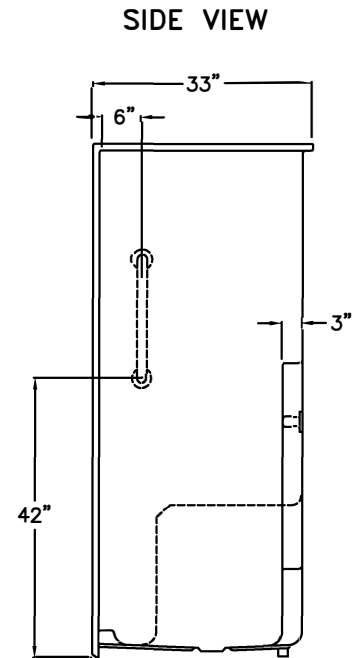
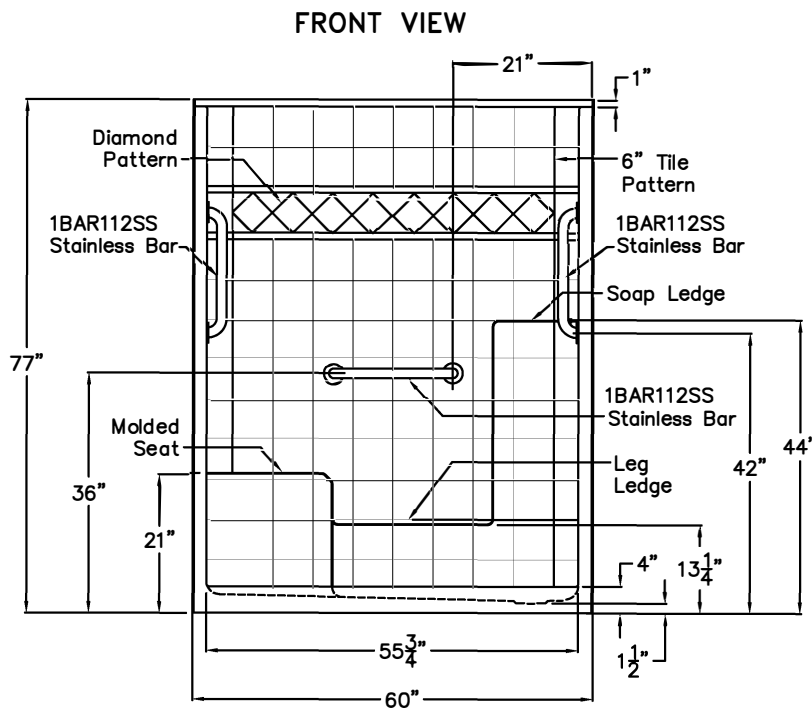
Ella's One Piece Showers

60" x 33" x 77" New Construction One-Piece Shower"

Classic Package with Stainless Steel Grab Bars

BOARD PLACEMENT DRAWING

Due to the nature of the materials, dimensions may vary $\pm \frac{1}{2}$ in.



**DUE TO THE NATURE OF THE MATERIALS
DIMENSIONS MAY VARY $\pm \frac{1}{2}$ "**

Accessible Shower Stall

The shower enclosure shall be Model ESM 6032 SH 1S 4.0 Tile, left, right drain. Finished surface shall be of a sanitary-grade applied acrylic. The unit shall have outside dimensions of 60" x 33" x 77".

The unit shall meet CSA B45.5, IAPMOZ124, HUD-UM73, and Home Innovation Research Lab.

FACTORY ACCESSORIES:

- 1) Tile finish on walls,
- 2) Diamond accent pattern,
- 3) Molded soap ledges on back wall,
- 4) Molded low ledge on back wall,
- 5) Molded seat, left or right,
- 6) One 1Bar112SS stainless steel bar horizontal on the back wall,
- 7) Two 1Bar112SS stainless steel bars, one vertical on each side wall,
- 8) 4.0" Threshold.

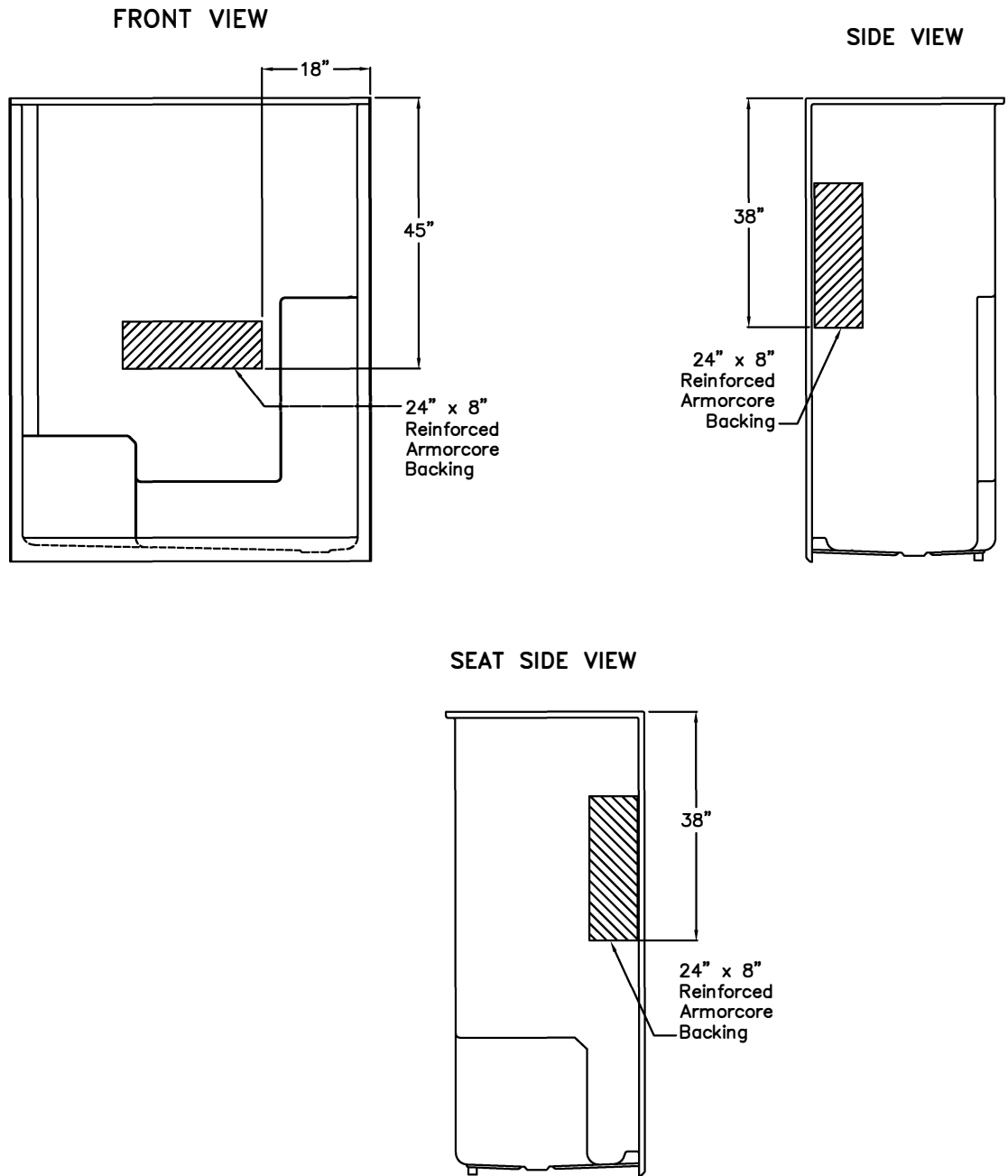
Ella's One Piece Showers

60" x 33" x 77" New Construction One-Piece Shower"

Classic Package with Stainless Steel Grab Bars

BOARD PLACEMENT DRAWING

Due to the nature of the materials, dimensions may vary $\pm 1/2$ in.



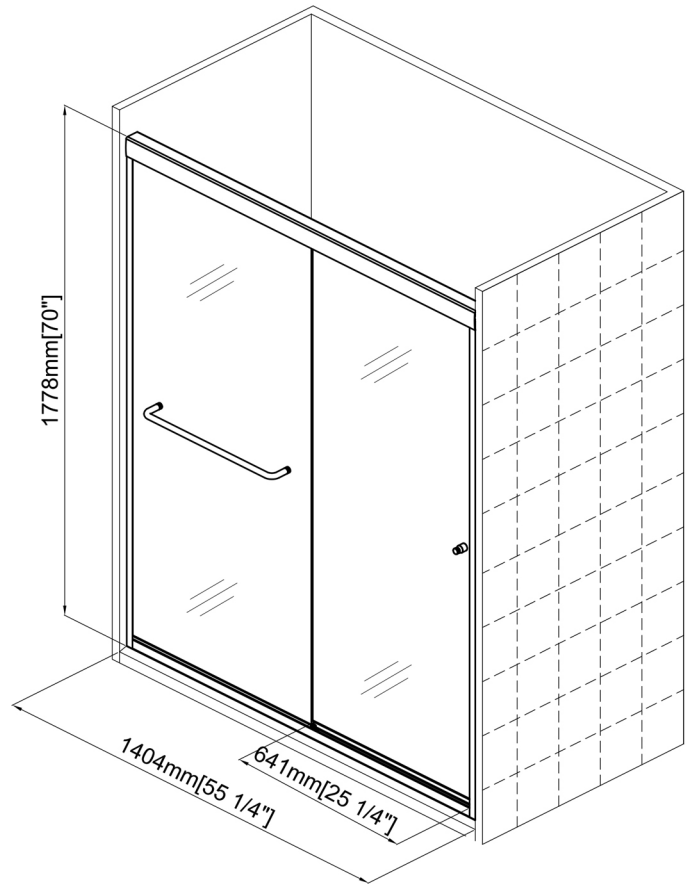
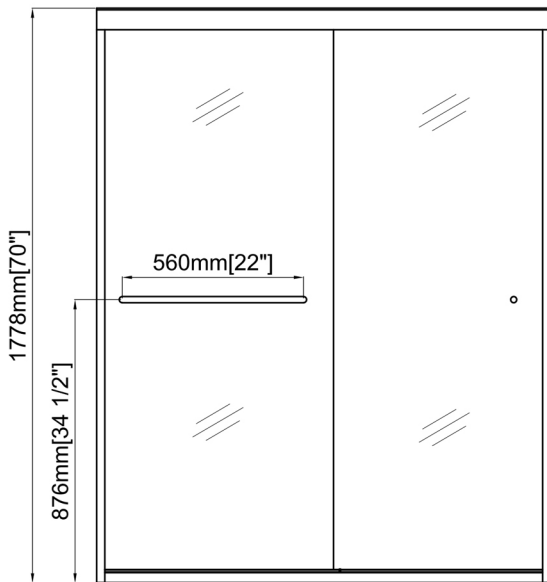
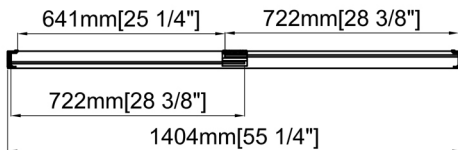
DUE TO THE NATURE OF THE MATERIALS
DIMENSIONS MAY VARY $\pm 1/2$ "

Ella's One Piece Showers

60" x 33" x 77" New Construction One-Piece Shower"
Classic Package with Stainless Steel Grab Bars



2062-55 1/4"x70"



Disclaimer:
In an effort to continually improve our product, specifications and configurations are subject to change without notice. Before ordering or installing, consider future access to essential equipment. Due to the nature of the materials, dimensions may vary $\pm 1/2"$.

ELLA'S ONE PIECE SHOWERS

New Construction One-Piece Showers

ella
by ella's bubbles

PRODUCT FEATURES

Luxurious & Safe Design

- Architectural subway design tile pattern with diamond accent pattern for a traditionally modern aesthetic
- Integrated Grip Sure™ floor texture for safe mobility
- Molded soap, shampoo & foot ledges for added convenience

Strength & Durability

- Chemically Bonded - Unlike wood and corrugate Armorcore's™ resin-based formulation chemically bonds to layers of fiberglass lamination, forming a rock-solid, single-piece structure.
- Reinforced Armorcore backing provides flexibility for installing grab bar
- AcrylX™ Applied Acrylic enhances the value of all everyday bath products

Shower Door Friendly

- Ella's one piece showers are fabricated to allow the "options of using a curtain or shower door
- At the base, square corners above the low threshold support "framed or frameless shower door installation

Availability

- Ella's one piece showers are manufactured, inspected" & shipped directly from the factory within 7-10 business days
- No order is too big or too small

Contractor Friendly

- Compact and durable packaging for easy handling on the jobsite
- White plastic wrap covers shower to seal out dust & secure loose accessories within.
- Shipped in heavy duty crating to protect the product in transit



EXCEPTIONAL STRENGTH

The Strength of **ARMORCORE™**

- AcrylX™ with the strength of ArmorCore™ eliminates the hassle of damages that occur during handling and transportation that cost time and money.
- We've eliminated the common issues associated with traditional base construction. No more expensive repairs!
- ArmorCore™ has been tested far beyond industry standards. Even at 1,800 lbs of pressure it refuses to fail.

SUPERIOR FINISH

- AcrylX™ has a visibly true white, deep lustrous finish that can only be achieved with an acrylic surface. We've upgraded the value of the everyday product.
- Whether in a warehouse or a new house an AcrylX™ product will resist scratching, cracking and chipping and will maintain a "factory-new" finish over its lifetime.
- AcrylX's™ UV properties resist fading, low porosity helps maintain luster and makes cleaning easier, and other natural properties make it less susceptible to chemicals. All enhancing value and reducing everyday issues.

SIMPLY EASY

- No more wasted time looking for the design and configuration customer needs. We have hundreds of models to choose from. Our entire everyday offering is now available to you in AcrylX™ with the strength of ArmorCore™.
- You can be confident that we will stand behind our products 100% of the time, so you can be confident in selling our products to your customers. We've backed AcrylX™ with the Strength of ArmorCore™ with an unprecedented Lifetime Warranty.
- Our new AcrylX™ with the Strength of ArmorCore™ increases the value of our everyday product without changing model numbers, specifications, SKUs, or price!



AcrylX™ with the strength of **ARMORCORE™**
AcrylX™ with ArmorCore™, shown above at left, compared to standard gelcoat unit, at right.

AcrylX™, Applied Acrylic offers a high gloss, truer white finish. The finish material is less porous which creates an easier to clean surface. The high luster results in a longer lasting finish, meaning a factory new look years after installation.

The structural integrity is greater than previous products; reducing the chances of surface cracks during transportation and installation.

ARMORCORE™

ArmorCore™ RRP (Resin Reinforced Product) offers unprecedented structural strength in everyday bath products. Testing demonstrates a 600% above code weight rating on the base while only increasing the unit weight by an average of 1-3%.

ArmorCore™ RRP outperforms traditional FRP due to the integral nature of its chemically bonded resin structure. ArmorCore™ RRP does not require foundation or bedding material for installation.

ArmorCore™ RRP produces the strongest, most resilient product in the industry, impervious to moisture and freezing, and better suited to the rigors of construction than any other product.

BETTER STARTS NOW



Available exclusively from
The American Bath Group family of Divisions