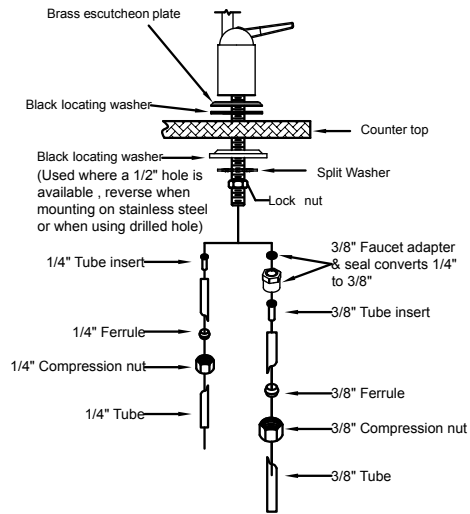
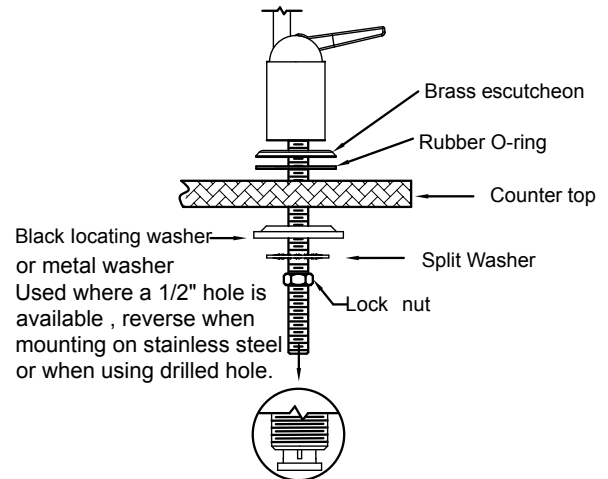


CHOOSE THE PROPER ONE FOR INSTALLING YOUR FAUCET

Installation of Standard Faucet

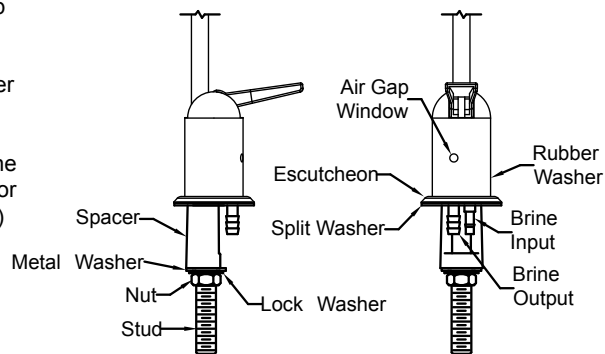


Installation of Push-In Standard Faucet



Installation of Air Gap Faucet

1. Drill A7/8" hole in the sink or counter top or use the available hole.
2. Place the chrome washer and the rubber washer on the base of the faucet.
3. Attach the 1/4" brine water discharge line to the brine input (small) barb and 1/4" or 3/8" drain line to the brine output (large) barb.
4. Mount the faucet and assemble the hardware as shown.



Air Gap Faucet