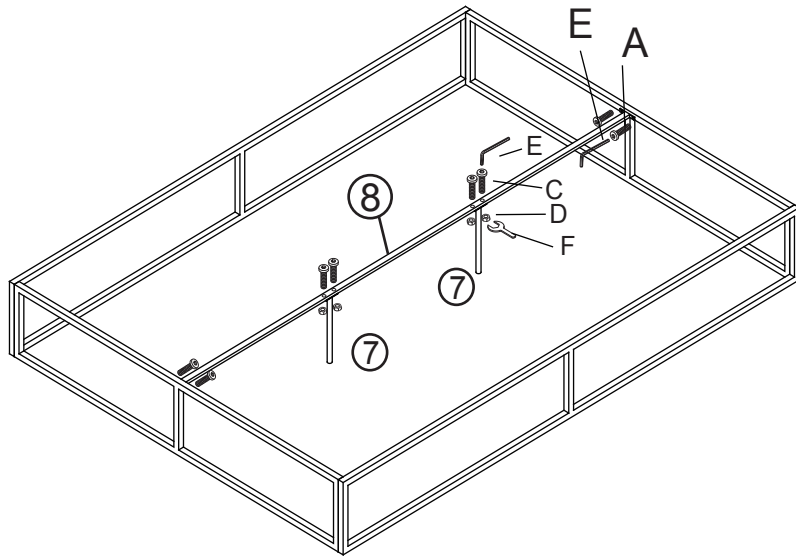
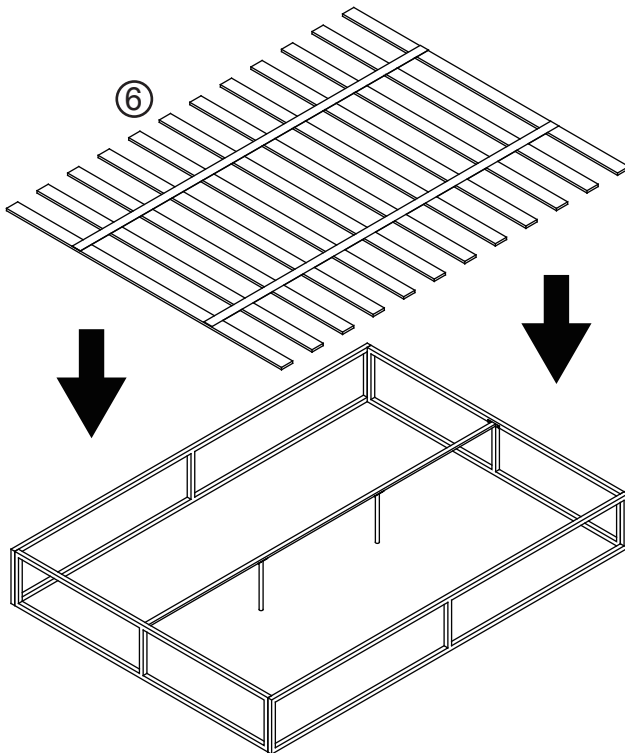


STEP 3



STEP 4



Assembly Instruction

Furinno Metal Bed Frame Foundation
with Wooden Slats

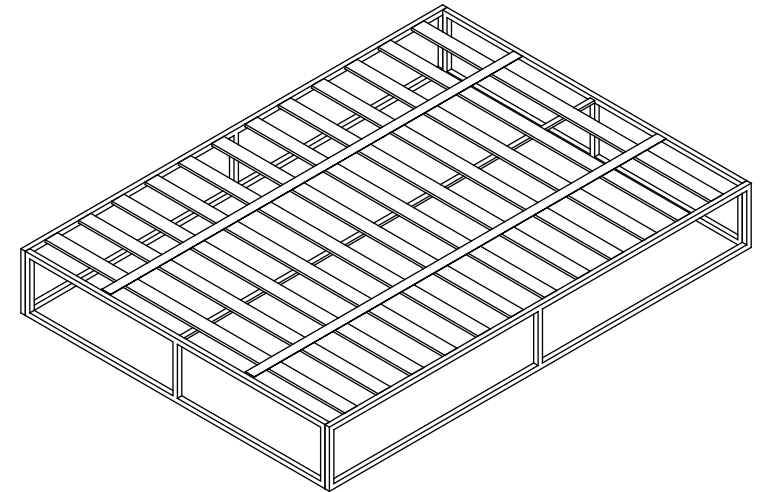
MODEL : **FB3003T**

00:30

Approx. 30 minutes



Recomm. 2 Person












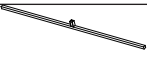

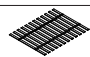
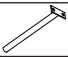

Customer Support

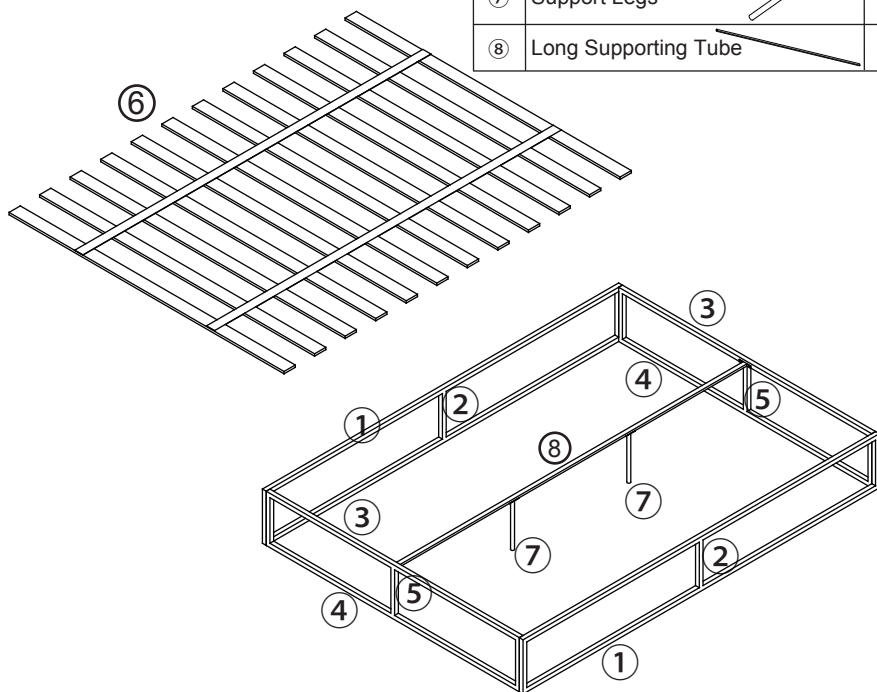
NEED HELP? For replacement requests or product inquiries, please contact our Customer Service Team by emailing us at support@furinno.com. Thank you for selecting Furinno!

www.furinno.com



No	Hardware List	Qty
A	M6×15 Screw 	28pcs
B	M6×35 Screw 	4pcs
C	M8×25 Screw 	4pcs
D	M8 Nut 	4pcs
E	M6 Wrench 	1pc
F	Open End Wrench 	1pc

No	Parts List	Qty
①	Side Support 	2pcs
②	Side Short Tube 	2pcs
③	Upper Support 	2pcs
④	Bottom Support 	2pcs
⑤	Short Tube 	2pcs
⑥	Bed Slats 	1pc
⑦	Support Legs 	2pcs
⑧	Long Supporting Tube 	2pcs

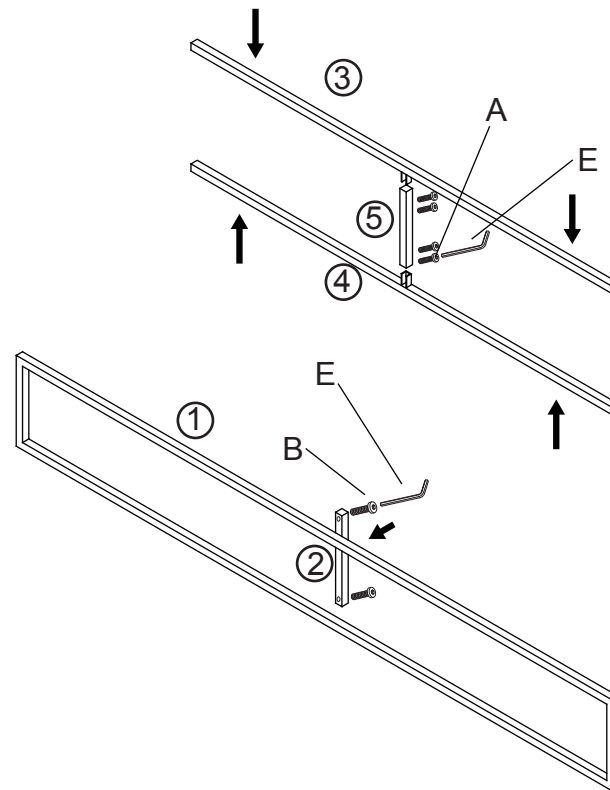


USEFUL HINTS BEFORE YOU START:

1. Read each step carefully before starting.
2. It is important that each step is performed in correct order to avoid difficulties.
3. Identify, sort and count the parts before assembly.
4. Assemble your furniture on packaging cardboard to prevent scratch or damage.
5. Clean the product with mild cleanser using soft damped cloth. Do not use harsh or abrasive cleanser.
6. Using incompatible hardware might cause damage to product.

NOTE: DO NOT TIGHTEN THE SCREWS UNTIL ALL PARTS ARE IN PLACE.

STEP 1



STEP 2

