

SlimLight™ Linkable LED Linear Light

Model CO-ITL-05 (48 in.)

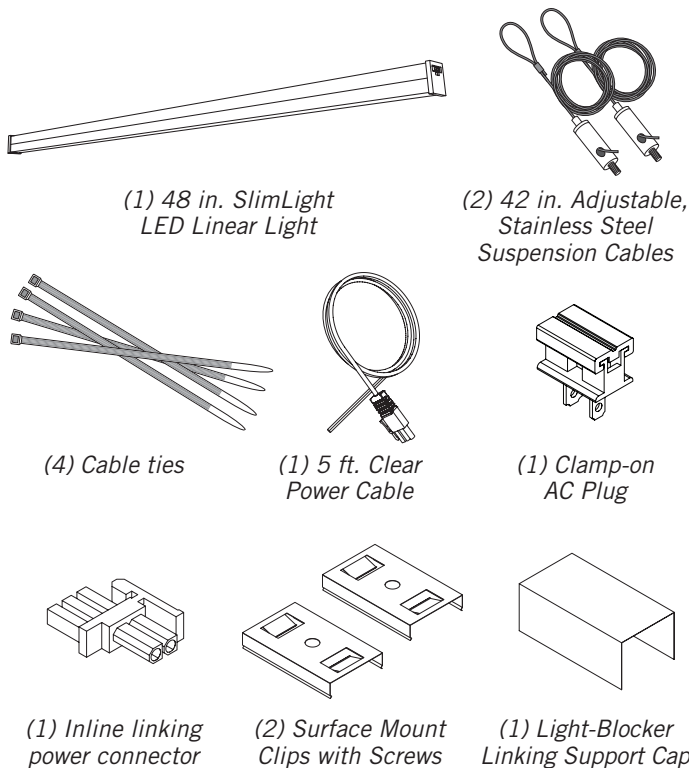
STOP BEFORE YOU BEGIN
Read these instructions completely

IMPORTANT SAFETY INSTRUCTIONS

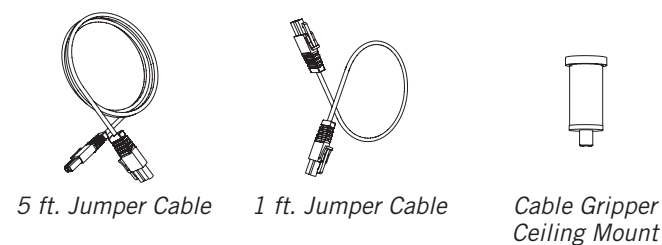
WARNING: This light fixture may present a possible electrical shock or fire hazard if not properly installed. Ensure the electricity to the wires you are working on is turned off – always turn off the circuit breaker before installing.

If you are unsure how to install, consult a qualified electrician. Installation must be in accordance with local and national electric codes.

WHAT'S INCLUDED



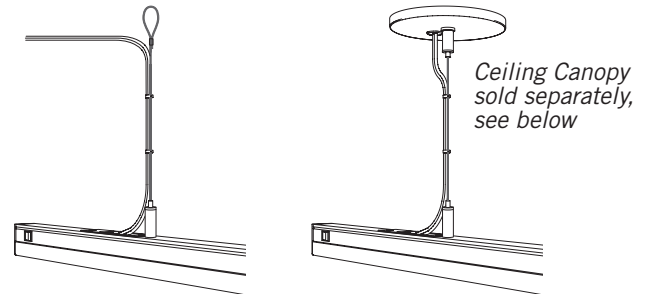
OPTIONAL ACCESSORIES SOLD SEPARATELY



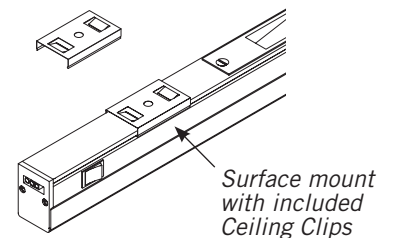
To purchase and to learn more visit armacostlighting.com/slimlight.

Understand Your Installation Options

- **Suspend from a hook** – for example, from a wood rafter in a workshop or garage, use the included cables with eye loop. Or suspend from a smooth ceiling using the accessory Canopy Conversion Kit (see below).

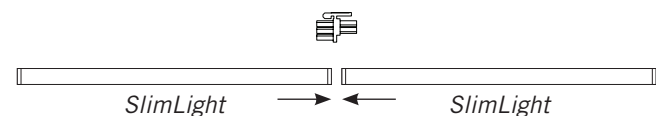


- **Surface mount** – anywhere the Ceiling Clips can be mounted, walls, ceilings, rafters cabinets shelves etc. Includes clips, screws and anchors.

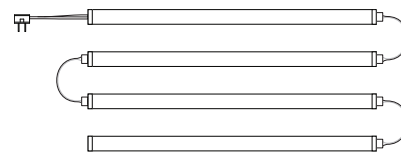


SlimLights can also be linked together

- Link SlimLights seamlessly end-to-end using the included Linking Power Connector

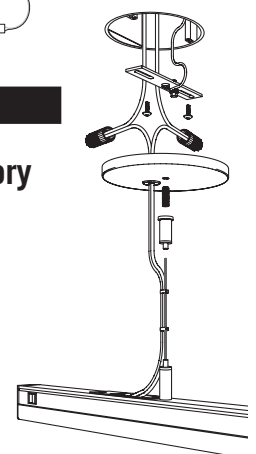


- Link SlimLights with accessory jumper cables – 1 ft. and 5 ft. cables are available to bridge gaps



Canopy Conversion Kit Accessory

For a more refined linear pendant light design, suspend the SlimLight from a smooth, finished ceiling using accessory Cable Gripper Ceiling Mounts and a Canopy Conversion Kit. This kit will allow you to connect the SlimLight to a standard, round ceiling electrical box.

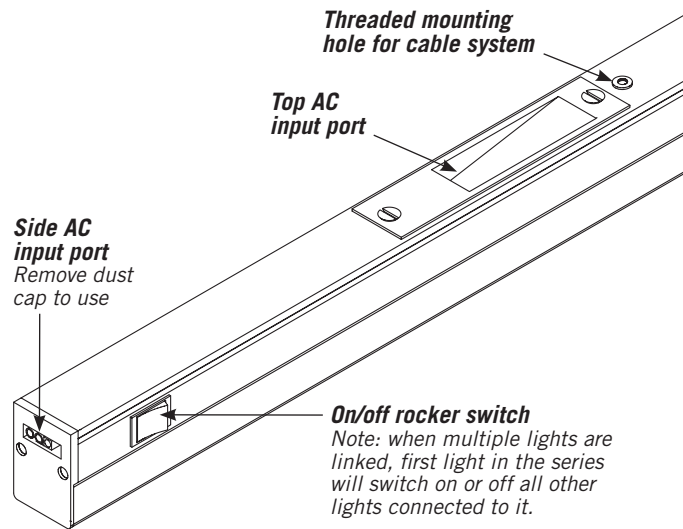


Determine Your Electrical Hook-Up, Switching, & Dimming Options

The SlimLight operates on household 120-volt AC line voltage. When using a single power cable, you can link up to 10 lights together. Each 10-light series uses 3.3 amps or about 320 watts at full brightness.

With dual AC inputs, you can use the 5 ft. Clear Power Cable to power the SlimLight from the top or the side.

Choose to hard-wire or plug the light into a standard outlet with the included Clamp-on AC Plug.



Turn on/off the SlimLight with the rocker switch, or connect the power cable to an outlet or circuit controlled by a wall switch.

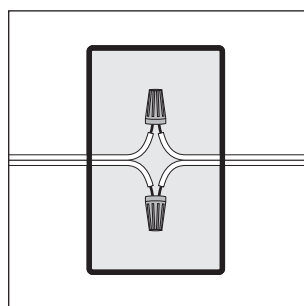
Optional Armacost RF wireless and Wi-Fi controls can also be used, which is useful in situations where installing new cabling can be difficult. Learn more at armacostlighting.com/wireless.

Hardwired Installation

Make your AC connection in an approved electrical junction box. Correct polarity of connections is required.

Note: SlimLight uses a fully isolated, Class 2 power limited LED driver for safety and does not require a ground wire connection.

The side of the flexible clear AC cord that has **black type markings** connects to the **LIVE hot wire** (typically black) of the 120-volt branch circuit; the other side of the cable with no markings is the neutral wire and connects to the neutral wire (typically white) of the branch circuit.



- Do not route the included AC power cord inside walls, ceilings, floors, or structures.
- Route and secure all cords so that they will not be pinched or damaged.
- Use proper strain-relief in a manner that protects the flexible cord against strain and physical damage.
- All electrical connections and installation must be in accordance with local and national electric codes.

Using standard wall dimmers

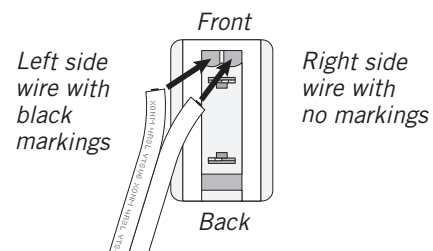
The SlimLight is compatible with most standard incandescent type triac dimmers. Armacost Lighting recommends triac dimmers that have an adjustment dial to set the low end dimming range, such as Lutron® C•L and Leviton IllumaTech® Universal Dimmers.

If using an in-wall AC dimmer, you must use hard wiring installation. It is against electrical code to control a standard electrical outlet with an AC dimmer.

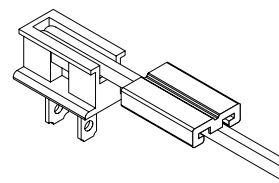
Using the optional Clamp-on AC Plug

Each SlimLight LED luminaire comes with a pin type (insulation piercing) polarized attachment plug (one blade is wider than the other) as a feature to reduce the risk of electric shock. This plug allows you to shorten the AC cord to fit your installation needs and will fit in a polarized outlet only one way. If the plug does not fit fully in the outlet, reverse the plug. If it still does not fit, contact a qualified electrician. Never use with an extension cord unless the plug can be fully inserted. Follow the instructions below. Do not alter the plug.

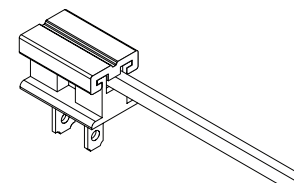
IMPORTANT: The thinner prong blade is for the LIVE hot wire side with the black type markings. Be sure to place the side with the black markings over the metal pin in the plug's wire back cavity (left side, as oriented below). The wire without the markings is the NEUTRAL wire and goes over the pin on the right side.



Slit cable about 1/4 in. and insert wires fully into the individual front slots. Wire with black type goes on the left side over the pin on the back.



Bend wire flat to fit in channel on top of plug.



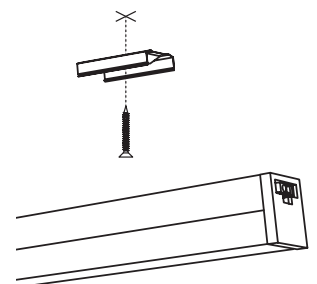
Slide cap cover onto plug to secure wire. It can be helpful to use pliers to slide the cap over the cord.

Surface Mounting the SlimLight

Each SlimLight includes two (2) surface mounting clips. Make a straight line as an alignment guide, and screw the clips into your structure approximately 35 inches apart. Be sure that each clip is centered over your line and does not interfere with the top AC port.

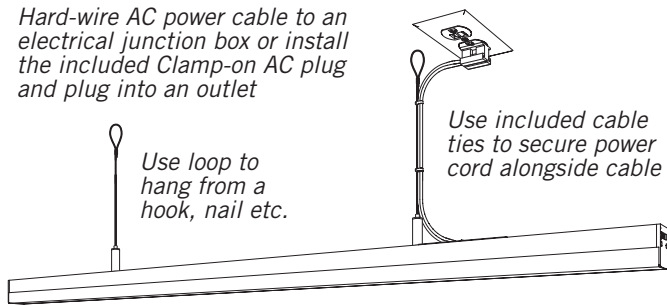
Do not over-tighten screws.

Push the SlimLight housing straight into the two clips until the fixture snaps into place.



Suspending the SlimLight

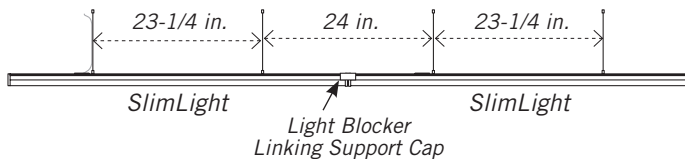
To hang your SlimLight fixture from hooks, follow the instructions below. For a more refined linear pendant light design, suspend using the accessory Cable Gripper Ceiling Mount and Canopy Conversion Kit (sold separately).



When suspending single, stand-alone SlimLights, each light will need an AC power cord connected to the top AC power input. When suspending multiple lights linked together, one AC power cord can power up to 10 lights max (3.3 amps, 320 watts total).

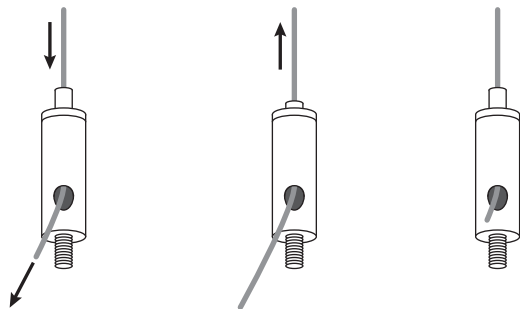
When hanging one SlimLight, your hanging point should be spaced **23-1/4 inches** for the cables to hang vertically straight down to the SlimLight.

If you are hanging multiple lights, the hanging point must be spaced as shown below. A small bubble level is helpful to ensure your lights hang level.



Note: When linking multiple lights, the inline power connector can only insert in one orientation; do not force parts together.

Adjusting cable length with the Cable Grippers



Push cable through Cable Grip to shorten

Depress adjustment pin and pull cable out to lengthen

For a cleaner look, cut off any excess cable not needed

IMPORTANT: Use only cable cutters designed for cutting wire rope or steel aircraft cables. A clean cut is required for the cable to insert properly into the Cable Gripper adjustment pin. Do not fray wire ends. Common electrical wire cutters are designed for soft copper and will be damaged by the stainless steel cable.

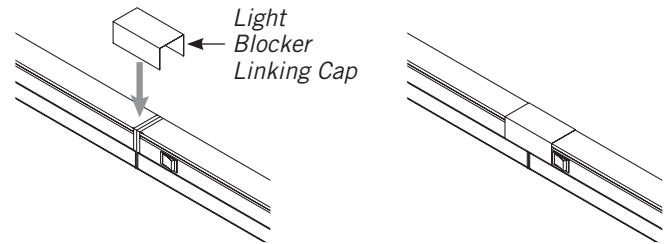


Do not use chemical solvents or harsh abrasives to clean the fixture.

Using the Light Blocker Linking Support Cap

This cap serves two purposes:

1. As a light blocker to cover the plastic end caps, creating a smooth, continuous light output
2. To help align and keep lights together



Install Cap after lights have been hung and you've confirmed that they work properly. Be sure your lights are aligned and have no gap between, then remove the red tape plastic and place the cap down firmly on the top surface of the light, centered on the connection between the two lights.

Tip: In a surface mount installation, the linking support cap is optional. If using it, it is not necessary to remove the red plastic on the 3M tape. This way, you can slide the cap to easily center it between the two connecting lights.

Suitable for damp locations -30° to 120°F ambient air temperature operating range.

Long-lasting, maintenance-free operation No serviceable parts inside, no bulbs to change, lasts up to 50,000 hours or 17 years if left on for eight hours a day.

Fully dimmable, glare-free light with no visible LEDs Compatible with most standard, incandescent-type triac dimmers.

Operates on household 120-volt AC line voltage The SlimLight features a 32 watt, integrated Class 2 dimmable LED driver. No separate power supply is required. Link up to 10 lights (320 watts max).

UL-listed, ENERGY STAR certified, RoHS-compliant SlimLights are environmentally friendly, contain no mercury, and do not have harmful UV or IR emissions.

For color temperature and specifications specific to your SlimLight, please see the label information attached to its housing.

Questions? Email support@armacostlighting.com.

Limited five-year warranty

Improper installation, abuse, or failure to use this product for its intended purpose will void warranty. The warranty does not cover labor or any other costs or expense to remove defective lights or to install replacement lights.

This equipment has been tested and found to comply with the limits for a Class B digital device, pursuant to part 15 of the FCC Rules. These limits are designed to provide reasonable protection against harmful interference in a residential installation. This equipment generates, uses, and can radiate radio frequency energy and, if not installed and used in accordance with the instructions, may cause harmful interference to radio communications.

However, there is no guarantee that interference will not occur in a particular installation. If this equipment does cause harmful interference to radio or television reception, which can be determined by turning the equipment on and on, the user is encouraged to try to correct the interference by one or more of the following measures: Reorient or relocate the receiving antenna. Increase the separation between the equipment and receiver. Connect the equipment into an outlet on a circuit different from that to which the receiver is connected. Consult the dealer or an experienced radio/TV technician for help.



armacostlighting.com

© 2017 Armacost Lighting. All rights reserved.

171004